



User Guide

Unidrive SPM

Universal Variable Speed AC
Drive Modular Solutions for
induction and servo motor
applications

Part Number: 0471-0053-03
Issue: 3



General Information

The manufacturer accepts no liability for any consequences resulting from inappropriate, negligent or incorrect installation or adjustment of the optional operating parameters of the equipment or from mismatching the variable speed drive with the motor.

The contents of this guide are believed to be correct at the time of printing. In the interests of a commitment to a policy of continuous development and improvement, the manufacturer reserves the right to change the specification of the product or its performance, or the contents of the guide, without notice.

All rights reserved. No parts of this guide may be reproduced or transmitted in any form or by any means, electrical or mechanical including photocopying, recording or by an information storage or retrieval system, without permission in writing from the publisher.

Drive software version

This product is supplied with the latest version of software. If this product is to be used in a new or existing system with other drives, there may be some differences between their software and the software in this product. These differences may cause this product to function differently. This may also apply to drives returned from a Control Techniques Service Centre.

The software version of the drive can be checked by looking at Pr **11.29** (or Pr **0.50**) and Pr **11.34**. The software version takes the form of zz.yy.xx, where Pr **11.29** displays zz.yy and Pr **11.34** displays xx, i.e. for software version 01.01.00, Pr **11.29** would display 1.01 and Pr **11.34** would display 0.

If there is any doubt, contact a Control Techniques Drive Centre.

Environmental statement

Control Techniques is committed to minimising the environmental impacts of its manufacturing operations and of its products throughout their life cycle. To this end, we operate an Environmental Management System (EMS) which is certified to the International Standard ISO 14001. Further information on the EMS, our Environmental Policy and other relevant information is available on request, or can be found at www.greendrives.com.

The electronic variable-speed drives manufactured by Control Techniques have the potential to save energy and (through increased machine/process efficiency) reduce raw material consumption and scrap throughout their long working lifetime. In typical applications, these positive environmental effects far outweigh the negative impacts of product manufacture and end-of-life disposal.

Nevertheless, when the products eventually reach the end of their useful life, they can very easily be dismantled into their major component parts for efficient recycling. Many parts snap together and can be separated without the use of tools, while other parts are secured with conventional screws. Virtually all parts of the product are suitable for recycling.

Product packaging is of good quality and can be re-used. Large products are packed in wooden crates, while smaller products come in strong cardboard cartons which themselves have a high recycled fibre content. If not re-used, these containers can be recycled. Polythene, used on the protective film and bags for wrapping product, can be recycled in the same way. Control Techniques' packaging strategy favours easily-recyclable materials of low environmental impact, and regular reviews identify opportunities for improvement.

When preparing to recycle or dispose of any product or packaging, please observe local legislation and best practice.

Copyright © January 2008 Control Techniques Drives Limited

Issue Number: 3

Software: 01.15.00 onwards

How to use this guide

This guide provides complete information for installing and operating a Unidrive SPMA and SPMD, with a SPMC or SPMU rectifier, from start to finish.

The information is in logical order, taking the reader from receiving the drive through to fine tuning the performance.

NOTE

There are specific safety warnings throughout this guide, located in the relevant sections. In addition, Chapter 1 *Safety Information* contains general safety information. It is essential that the warnings are observed and the information considered when working with or designing a system using the drive.

This map of the user guide helps to find the right sections for the task you wish to complete, but for specific information, refer to *Contents* on page 4 to 5:

	Familiarisation	System design	Programming and commissioning	Troubleshooting
1 Safety information	●	●	●	●
2 Introduction	●	●		
3 Product information	●	●		
4 System configuration	●	●		
5 Mechanical installation		●		
6 Electrical installation		●		
7 Getting started	●	●		
8 Basic parameters	●	●	●	
9 Running the motor	●	●	●	
10 Optimisation		●	●	
11 SMARTCARD operation		●	●	
12 Onboard PLC		●	●	
13 Advanced parameters		●	●	
14 Technical data	●	●	●	
15 Diagnostics				●
16 UL listing information		●	●	

Contents

Declaration of Conformity	6	6	Electrical Installation	64
1 Safety Information	7	6.1	Power connections	65
1.1 Warnings, Cautions and Notes	7	6.2	AC supply requirements	67
1.2 Electrical safety - general warning	7	6.3	Output sharing choke specification	69
1.3 System design and safety of personnel	7	6.4	Supplying the drive with DC / DC bus paralleling	70
1.4 Environmental limits	7	6.5	Resistor sizing for Unidrive SPMU softstart	70
1.5 Compliance with regulations	7	6.6	Heatsink fan supply	73
1.6 Motor	7	6.7	Control 24Vdc supply	73
1.7 Adjusting parameters	7	6.8	Low voltage DC power supply	73
2 Introduction	8	6.9	Ratings	74
2.1 Rectifier (SPMC/U)	8	6.10	Output circuit and motor protection	75
2.2 SPMA inverter	9	6.11	Braking	77
2.3 SPMD inverter	10	6.12	Ground leakage	79
2.4 Input line reactor	10	6.13	EMC (Electromagnetic compatibility)	79
2.5 Output sharing choke	10	6.14	SPMC/U control connections	87
2.6 Model number	11	6.15	Low voltage DC mode enable, heatsink fan supply connections (SPMA/D) and status input connections (SPMD)	90
3 Product Information	12	6.16	Serial communications connections	92
3.1 Ratings	12	6.17	Control connections - master interface	92
3.2 Operating modes	17	6.18	Encoder connections	96
3.3 Compatible encoders	17	6.19	SAFE TORQUE OFF (SECURE DISABLE)	99
3.4 Features	18	7 Getting Started.....	101	
3.5 Nameplate description	19	7.1	Understanding the display	101
3.6 Options	20	7.2	Keypad operation	101
3.7 Items supplied with the drive	24	7.3	Menu structure	102
4 System configuration	25	7.4	Menu 0	103
5 Mechanical Installation	33	7.5	Advanced menus	104
5.1 Safety information	33	7.6	Changing the operating mode	105
5.2 Planning the installation	33	7.7	Saving parameters	105
5.3 Terminal cover removal	33	7.8	Restoring parameter defaults	105
5.4 Solutions Module installation/removal	37	7.9	Parameter access level and security	106
5.5 Mounting of control master/slave pod	38	7.10	Displaying parameters with non-default values only	107
5.6 Docking a Unidrive SPMC/U to an SPMD	39	7.11	Displaying destination parameters only	107
5.7 Mounting methods	41	7.12	Serial communications	107
5.8 Enclosure	49	8 Basic parameters	109	
5.9 Heatsink fan operation	54	8.1	Single line descriptions	109
5.10 Enclosing drive for high environmental protection	56	8.2	Full descriptions	114
5.11 External EMC filter	58	9 Running the motor	124	
5.12 Line reactor mounting dimensions	61	9.1	Quick start Connections	124
5.13 Electrical terminals	62	9.2	Changing the operating mode	124
5.14 Routine maintenance	63	9.3	Changing keypad mode	124
		9.4	Quick Start commissioning/start-up	128
		9.5	Quick start commissioning/start-up (CTSoft) ...	132
		9.6	Setting up a feedback device	132

10 Optimization	136	15 Diagnostics	275
10.1 Motor map parameters	136	15.1 Trip indications	275
10.2 Maximum motor rated current	146	15.2 Alarm indications	292
10.3 Current limits	146	15.3 Status indications	292
10.4 Motor thermal protection	146	15.4 Displaying the trip history	293
10.5 Switching frequency	147	15.5 Behaviour of the drive when tripped	293
10.6 High speed operation	147		
11 SMARTCARD operation	149	16 UL Listing Information	294
11.1 Introduction	149	16.1 Common UL information	294
11.2 Transferring data	150	16.2 Power dependant UL information	294
11.3 Data block header information	152	16.3 AC supply specification	294
11.4 SMARTCARD parameters	152	16.4 Maximum continuous output current	294
11.5 SMARTCARD trips	153	16.5 Safety label	294
		16.6 UL listed accessories	294
12 Onboard PLC	155	List of figures	295
12.1 Onboard PLC and SYPTLite	155	List of tables	297
12.2 Benefits	155	Index	299
12.3 Limitations	155		
12.4 Getting started	156		
12.5 Onboard PLC parameters	156		
12.6 Onboard PLC trips	157		
12.7 Onboard PLC and the SMARTCARD	157		
13 Advanced parameters	158		
13.1 Menu 1: Frequency / speed reference	166		
13.2 Menu 2: Ramps	170		
13.3 Menu 3: Frequency slaving, speed feedback and speed control	173		
13.4 Menu 4: Torque and current control	178		
13.5 Menu 5: Motor control	182		
13.6 Menu 6: Sequencer and clock	187		
13.7 Menu 7: Analog I/O	189		
13.8 Menu 8: Digital I/O	192		
13.9 Menu 9: Programmable logic, motorized pot, binary sum and timers	195		
13.10 Menu 10: Status and trips	198		
13.11 Menu 11: General drive set-up	199		
13.12 Menu 12: Threshold detectors, variable selectors and brake control function	200		
13.13 Menu 13: Position control	206		
13.14 Menu 14: User PID controller	212		
13.15 Menus 15, 16 and 17: Solutions Module set-up	215		
13.16 Menu 18: Application menu 1	251		
13.17 Menu 19: Application menu 2	251		
13.18 Menu 20: Application menu 3	251		
13.19 Menu 21: Second motor parameters	252		
13.20 Menu 22: Additional Menu 0 set-up	253		
13.21 Advanced features	254		
14 Technical Data	263		
14.1 Drive	263		
14.2 Optional external EMC filters	273		

Declaration of Conformity

Control Techniques Ltd
The Gro
Newtown
Powys
UK
SY16 3BE

SPMA1401	SPMA1402	SPMA1421	SPMA1422
SPMA1601	SPMA1602	SPMA1621	SPMA1622

SPMD1201	SPMD1202	SPMD1203	SPMD1204
SPMD1221	SPMD1222	SPMD1223	SPMD1224
SPMD1401	SPMD1402	SPMD1403	SPMD1404
SPMD1421	SPMD1422	SPMD1423	SPMD1424
SPMD1601	SPMD1602	SPMD1603	SPMD1604
SPMD1621	SPMD1622	SPMD1623	SPMD1624

SPMC1402	SPMC1601	SPMC2402	SPMC2601
----------	----------	----------	----------

SPMU1402	SPMU1601	SPMU2402	SPMU2601
----------	----------	----------	----------

These products comply with the Low Voltage Directive 2006/95/EC, the Electromagnetic Compatibility (EMC) Directive 89/336/EEC and the CE Marking Directive 93/68/EEC.



Executive Vice President, Technology
Newtown

Date: 7th March 2007

The AC variable speed drive products listed above have been designed and manufactured in accordance with the following European harmonized standards:

EN 61800-5-1	Adjustable speed electrical power drive systems - safety requirements - electrical, thermal and energy
EN 61800-3	Adjustable speed electrical power drive systems. EMC product standard including specific test methods
EN 61000-6-2	Electromagnetic compatibility (EMC). Generic standards. Immunity standard for industrial environments

These electronic drive products are intended to be used with appropriate motors, controllers, electrical protection components and other equipment to form complete end products or systems. Compliance with safety and EMC regulations depends upon installing and configuring drives correctly, including using the specified input filters. The drives must be installed only by professional assemblers who are familiar with requirements for safety and EMC. The assembler is responsible for ensuring that the end product or system complies with all the relevant laws in the country where it is to be used. Refer to the User Guide. An EMC Data Sheet is also available giving detailed EMC information.

1 Safety Information

1.1 Warnings, Cautions and Notes



A Warning contains information which is essential for avoiding a safety hazard.

WARNING



A Caution contains information which is necessary for avoiding a risk of damage to the product or other equipment.

CAUTION

NOTE

A Note contains information which helps to ensure correct operation of the product.

1.2 Electrical safety - general warning

The voltages used in the drive can cause severe electrical shock and/or burns, and could be lethal. Extreme care is necessary at all times when working with or adjacent to the drive.

Specific warnings are given at the relevant places in this User Guide.

1.3 System design and safety of personnel

The drive is intended as a component for professional incorporation into complete equipment or a system. If installed incorrectly, the drive may present a safety hazard.

The drive uses high voltages and currents, carries a high level of stored electrical energy, and is used to control equipment which can cause injury.

Close attention is required to the electrical installation and the system design to avoid hazards either in normal operation or in the event of equipment malfunction. System design, installation, commissioning/start-up and maintenance must be carried out by personnel who have the necessary training and experience. They must read this safety information and this User Guide carefully.

The STOP and SAFE TORQUE OFF (SECURE DISABLE) function functions of the drive do not isolate dangerous voltages from the output of the drive or from any external option unit. The supply must be disconnected by an approved electrical isolation device before gaining access to the electrical connections.

With the sole exception of the SAFE TORQUE OFF (SECURE DISABLE) function, none of the drive functions must be used to ensure safety of personnel, i.e. they must not be used for safety-related functions.

Careful consideration must be given to the functions of the drive which might result in a hazard, either through their intended behaviour or through incorrect operation due to a fault. In any application where a malfunction of the drive or its control system could lead to or allow damage, loss or injury, a risk analysis must be carried out, and where necessary, further measures taken to reduce the risk - for example, an over-speed protection device in case of failure of the speed control, or a fail-safe mechanical brake in case of loss of motor braking.

The SAFE TORQUE OFF (SECURE DISABLE) function has been approved¹ as meeting the requirements of EN954-1 category 3 for the prevention of unexpected starting of the drive. It may be used in a safety-related application. **The system designer is responsible for ensuring that the complete system is safe and designed correctly according to the relevant safety standards.**

¹Independent approval by BGIA has been given.

1.4 Environmental limits

Instructions in this User Guide regarding transport, storage, installation and use of the drive must be complied with, including the specified environmental limits. Drives must not be subjected to excessive physical force.

1.5 Compliance with regulations

The installer is responsible for complying with all relevant regulations, such as national wiring regulations, accident prevention regulations and electromagnetic compatibility (EMC) regulations. Particular attention must be given to the cross-sectional areas of conductors, the selection of fuses or other protection, and protective earth (ground) connections.

This User Guide contains instruction for achieving compliance with specific EMC standards.

Within the European Union, all machinery in which this product is used must comply with the following directives:

98/37/EC: Safety of machinery.

89/336/EEC: Electromagnetic Compatibility.

1.6 Motor

Ensure the motor is installed in accordance with the manufacturer's recommendations. Ensure the motor shaft is not exposed.

Standard squirrel cage induction motors are designed for single speed operation. If it is intended to use the capability of the drive to run a motor at speeds above its designed maximum, it is strongly recommended that the manufacturer is consulted first.

Low speeds may cause the motor to overheat because the cooling fan becomes less effective. The motor should be installed with a protection thermistor. If necessary, an electric forced vent fan should be used.

The values of the motor parameters set in the drive affect the protection of the motor. The default values in the drive should not be relied upon.

It is essential that the correct value is entered in parameter **0.46** motor rated current. This affects the thermal protection of the motor.

1.7 Adjusting parameters

Some parameters have a profound effect on the operation of the drive. They must not be altered without careful consideration of the impact on the controlled system. Measures must be taken to prevent unwanted changes due to error or tampering.

2 Introduction

The Unidrive Solutions Platform Modular drive offers the possibility of implementing many custom power systems with a wide range of power modules. The power range is 45kW to 1.9MW and the modular design of input and output stages enables a wide range of very compact and efficient systems to be realized. These include:

- Parallel output stages for higher power motors:
 - Up to a maximum of 10 SPMA/D modules
 - (1 master module with up to 9 slave modules, OR
 - 1 remote mounted control master pod controlling up to 10 slaves. This allows the user to place all circuitry in one low voltage cabinet)
- Common DC bus multi-drive systems for:
 - Connection to larger existing power supplies
 - Energy sharing between motoring and regenerating drives
- Active front end drive systems for:
 - Minimising supply current harmonics
 - Four quadrant motor control
- Multiple controlled rectifier bridges (SPMC) for:
 - Minimising supply current harmonics by drawing 6, 12 or 18 pulse supply load currents
- Uncontrolled rectifier bridges (SPMU) for use in applications with poor quality power supplies, very long motor cables and where DC bus pre-charge is done by other means


2.1 Rectifier (SPMC/U)

There are two distinct types of rectifier available

SPMC: Controlled SCR/thyristor rectifier

SPMU: Uncontrolled diode rectifier

Different current and voltage ratings are available for both types.



CAUTION A separate input line reactor (INLXXX) of at least the value shown in Table 6-2 and Table 6-3 on page 68 must be used with the rectifiers. Failure to provide sufficient reactance could damage or reduce the service life of the rectifier or inverter.

The Unidrive SPMC is a half controlled SCR/thyristor bridge and is used as a front end to the SPMD inverter module or as a stand alone rectifier for several smaller drives. Soft-start is built in.

The Unidrive SPMU is used as a front end to the SPMD inverter module or as a stand alone rectifier for several smaller drives. **Softstart must be supplied externally using a resistor and contactor or SPMC.**

An external 24V, 3A power supply is required in addition to the AC supply to allow the rectifier to operate. See section 6.14.3 *Unidrive SPMC/U control connections* on page 89 and section 14.1.4 *Unidrive SPM 24V power supply* on page 267. Control wiring is required between the rectifier and motoring drive(s) so that if the rectifier indicates a fault the motoring drive(s) will be disabled.

The 24V supply must be protected using a 4A slow-blow fuse, one for each supply pole.

Control connections to the Unidrive SPMC/U should be made with 0.5mm² cable.

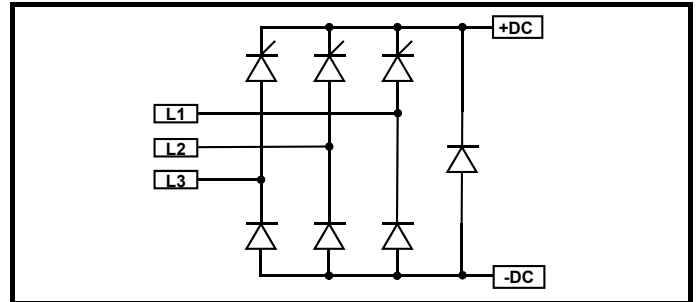
The status relay contacts are rated for switching non-inductive loads at 250Vac 6A non-inductive, up to 4Adc if the voltage is limited to 40V or up to 400mA dc if the voltage is limited to 250Vdc. Protection from overcurrent must be provided.

2.1.1 Half controlled SCR/thyristor rectifier (SPMC)

The half controlled SCR/thyristor bridge is used as a front end to the SPMD inverter module or as a stand alone rectifier for several smaller drives. Control wiring is linked to the inverter for trip monitoring. Soft-start is built in.

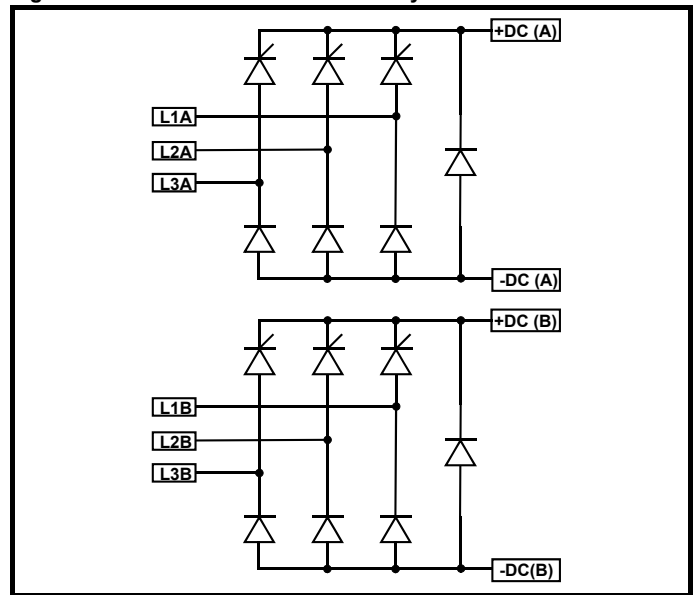
SPMC14X2 and 16X1

Figure 2-1 Single half controlled SCR/thyristor



SPMC2X0X

Figure 2-2 Dual half controlled SCR/thyristor

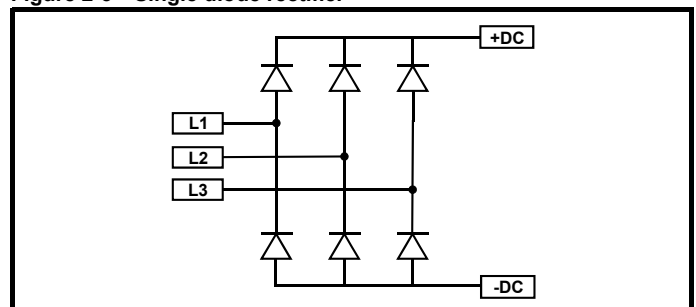


2.1.2 Diode rectifier (SPMU)

The uncontrolled diode rectifier is supplied as an alternative to the half controlled SCR/thyristor rectifier. Control wiring is limited to a thermal trip. Soft-start is achieved by the use of an external contactor and resistor.

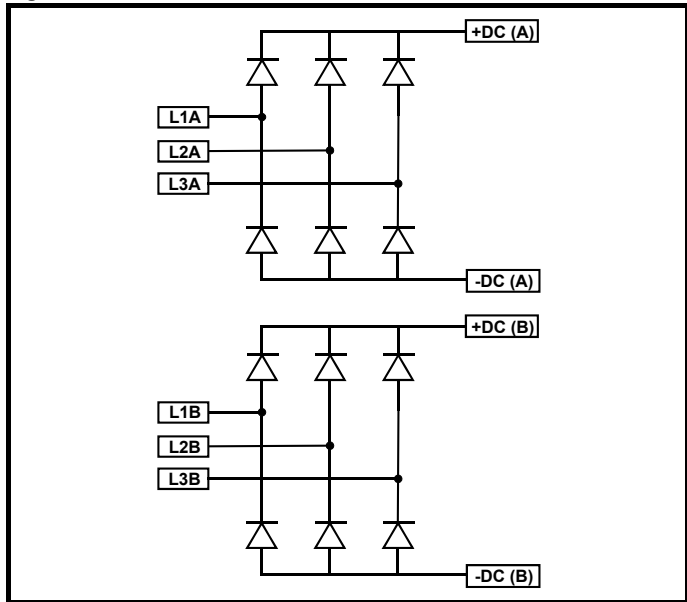
SPMU14X2 and 16X1

Figure 2-3 Single diode rectifier



SPMU24X2 and SPMU26X1

Figure 2-4 Dual diode rectifier



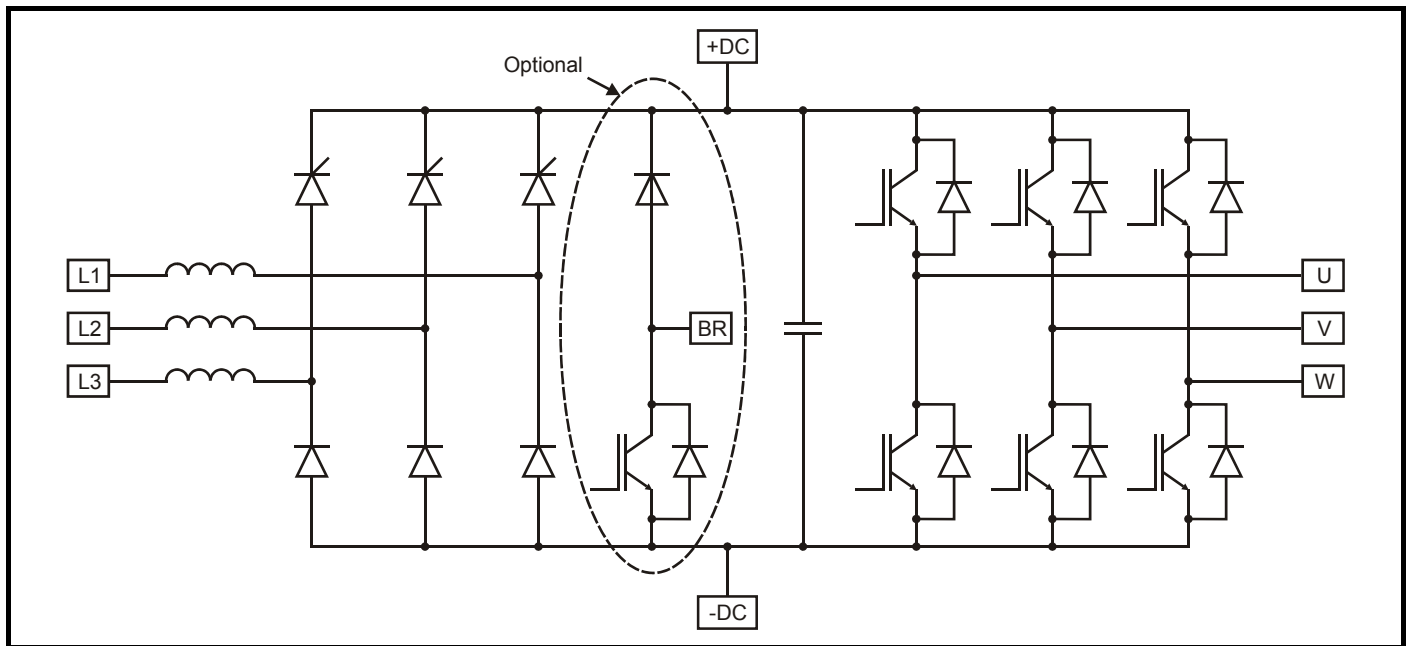
NOTE

To gain access to the second power stage terminals, the housing covers must be removed. See Figure 5-3 on page 35.

2.2 SPMA inverter

The SPMA is a complete drive with internal rectifier and AC input line chokes (AC in to AC out). It can provide a maximum continuous output current of 236A (400V drive). DC connections are available for use in regen and bus-parallel applications. The SPMA is available with or without a braking IGBT fitted.

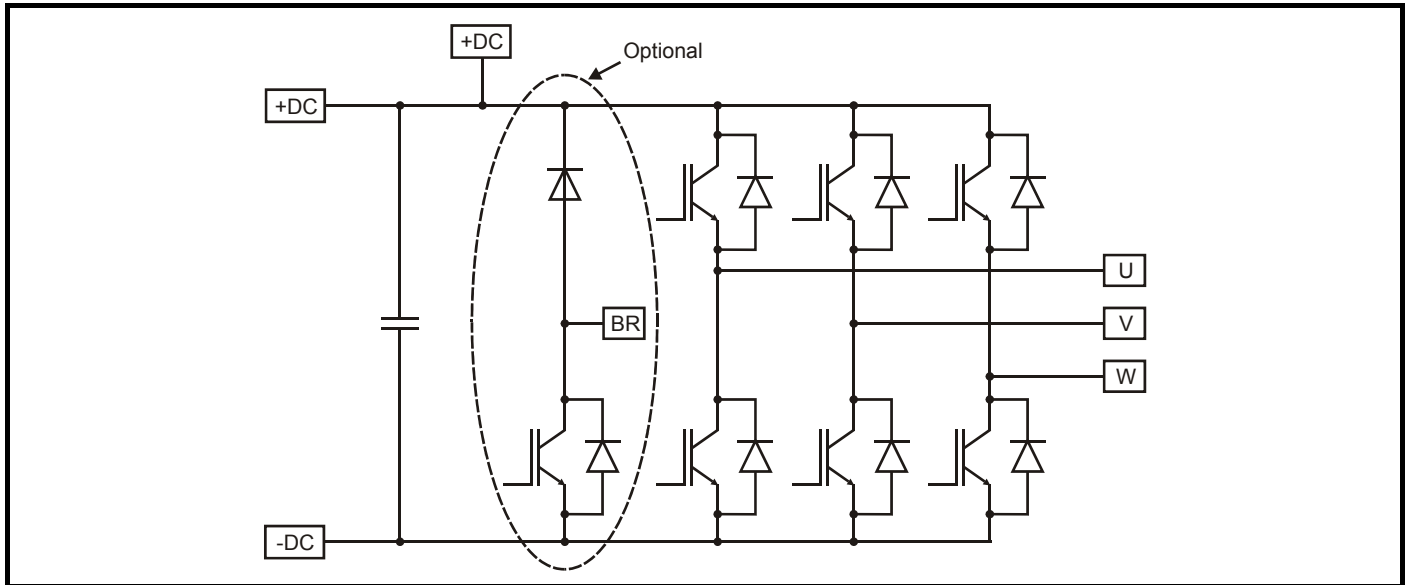
Figure 2-5 SPMA inverter schematic



2.3 SPMD inverter

The SPMD is an inverter stage only (DC in to AC out). If a rectifier is required, then an SPMC or SPMU and AC input line reactor must also be installed. It can provide a maximum continuous output current of 350A (400V drive). DC connections can be used for regen and bus-parallel applications. The SPMD is available with or without a braking IGBT fitted.

Figure 2-6 SPMA inverter schematic



2.4 Input line reactor

The INL line reactor must be used in conjunction with the Unidrive SPMC/U rectifiers. See section 6.2.2 *Input line reactor specifications* on page 67 for further information.

Figure 2-7 Single input line reactor (INLX0X)/force cooled (INLX0XW)

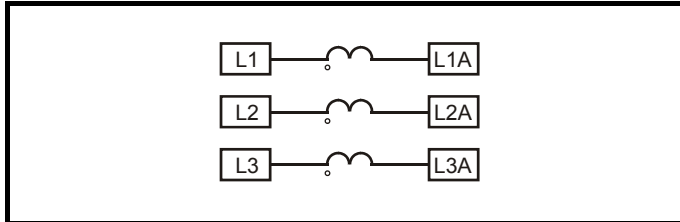
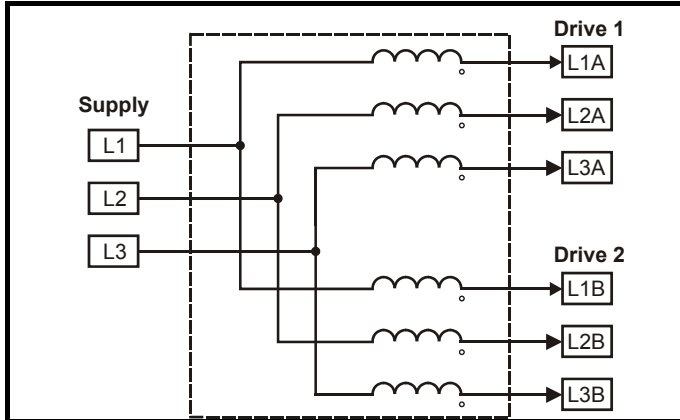


Figure 2-8 Dual input line reactor (INLX1X)



NOTE

This is not an interbridge reactor.

2.5 Output sharing choke

The OTL output sharing choke must be used on the output of Unidrive SPMA/D when more than one module is paralleled together.

Figure 2-9 Single output sharing choke (OTLX0X)

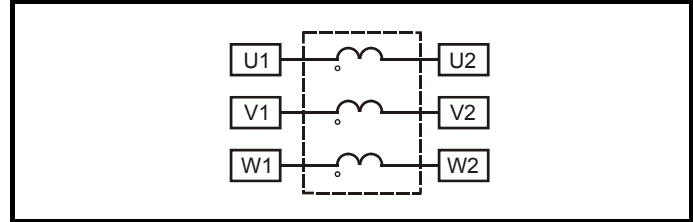
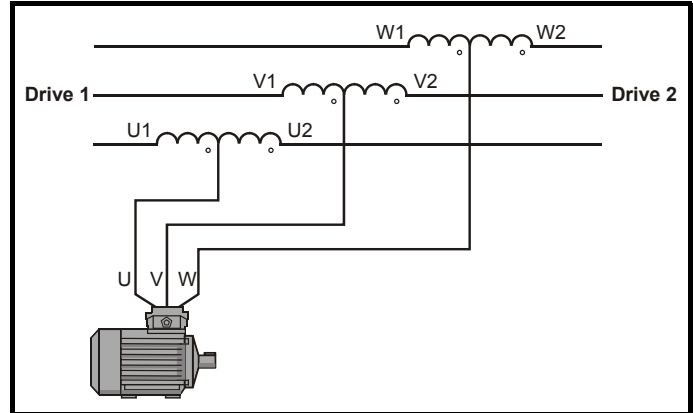


Figure 2-10 Dual output sharing choke (OTLX1X)



For a physical representation of the input line reactors and output sharing chokes, see Figure 3-4 on page 21.

2.6 Model number

The way in which the model numbers for the Unidrive SPM range are formed is illustrated below.

Figure 2-11 Rectifier (SPMC and SPMU)

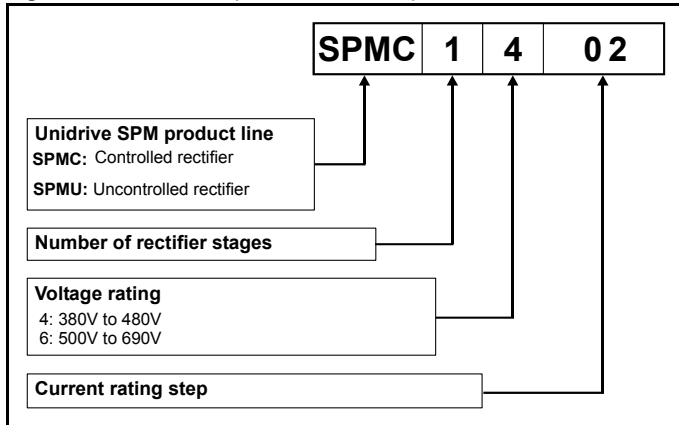
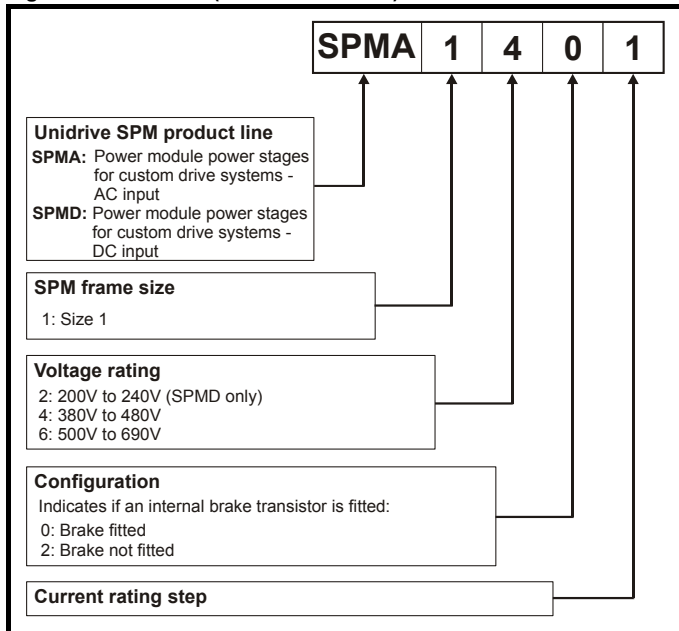


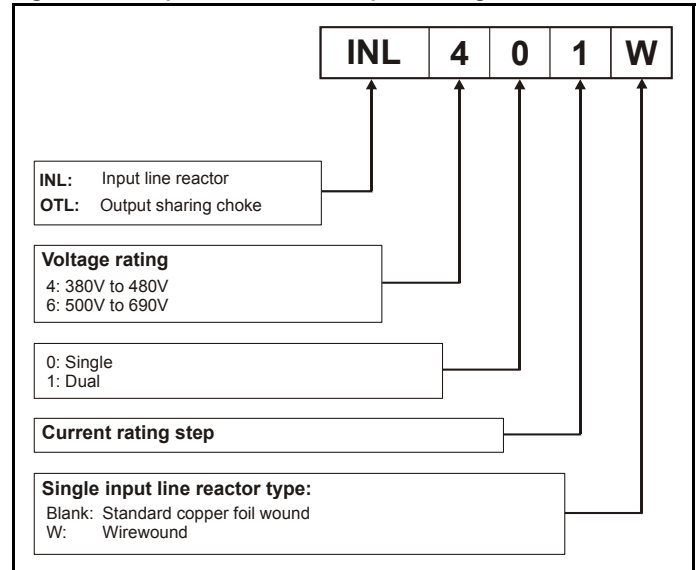
Figure 2-12 Drives (SPMA and SPMD)



NOTE

200V to 240V SPMD modules can only be supplied by an SPMU or separate soft start circuit.

Figure 2-13 Input line reactor / output sharing choke



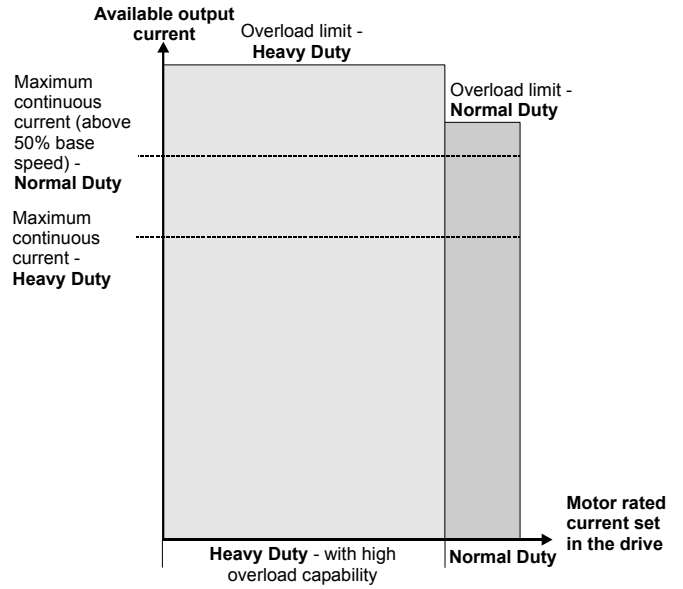
NOTE

The wirewound type of input line reactor is the minimum material version. Minimum airflow and maximum ambient temperature must be maintained. Refer to Table 14-24 on page 270.

3 Product Information

3.1 Ratings

The Unidrive SPM is dual rated.
 The setting of the motor rated current determines which rating applies - Heavy Duty or Normal Duty.
 The two ratings are compatible with motors designed to IEC60034.
 The graph aside illustrates the difference between Normal Duty and Heavy Duty with respect to continuous current rating and short term overload limits.



Normal Duty	Heavy Duty (default)
-------------	----------------------

For applications which use self ventilated (TENV/TEFC) induction motors and require a low overload capability (e.g. fans, pumps). Self ventilated (TENV/TEFC) induction motors require increased protection against overload due to the reduced cooling effect of the fan at low speed. To provide the correct level of protection the I^2t software operates at a level which is speed dependent. This is illustrated in the graph below.

NOTE

The speed at which the low speed protection takes effect can be changed by the setting of Pr 4.25. The protection starts when the motor speed is below 15% of base speed when Pr 4.25 = 0 (default) and below 50% when Pr 4.25 = 1.

For constant torque applications or applications which require a high overload capability (e.g. winders, hoists). The thermal protection is set to protect force ventilated induction motors and permanent magnet servo motors by default.

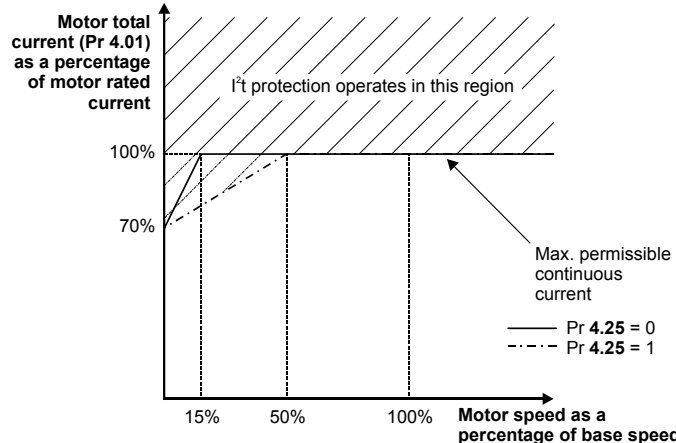
NOTE

If the application uses a self ventilated (TENV/TEFC) induction motor and increased thermal protection is required for speeds below 50% base speed, then this can be enabled by setting Pr 4.25 = 1.

Operation of motor I^2t protection (lt.AC trip)	Motor I^2t protection defaults to be compatible with:
---	---

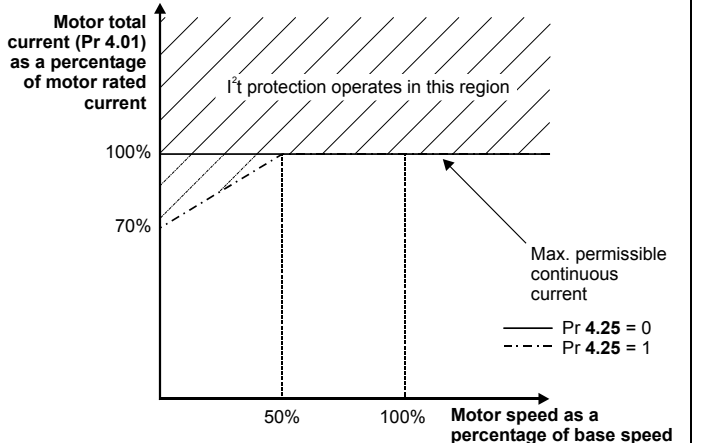
Motor I^2t protection is fixed as shown below and is compatible with:

- Self ventilated (TENV/TEFC) induction motors



Motor I^2t protection defaults to be compatible with:

- Forced ventilation induction motors
- Permanent magnet servo motors



The continuous current ratings given are for maximum 40°C (104°F), 1000m altitude and 3.0 kHz switching. Derating is required for higher switching frequencies, ambient temperature >40°C (104°F), high altitude and parallel applications. For further information, refer to section 14.1.1 *Power and current ratings (Derating for switching frequency and temperature)* on page 263.

Table 3-1 SPMA 400V drive ratings (380V to 480V ±10%)

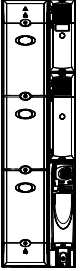
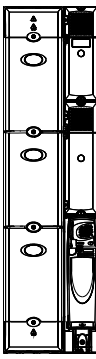
Model	Normal Duty				Heavy Duty					External 24V current consumption	
	Maximum continuous output current	Peak current	Nominal motor power at 400V	Nominal motor power at 460V	Maximum continuous output current	Open loop peak current	Closed loop peak current	Nominal motor power at 400V	Nominal motor power at 460V		
	A	A	kW	hp	A	A	A	kW	hp		
	SPMA14X1	205	225	110	150	180	232	270	90	150	3.3
	SPMA14X2	236	259	132	200	210	271	315	110	150	

Table 3-2 Paralleled SPMA 400V motor drive ratings (380V to 480V ±10%)

Paralleled SPMA modules	Normal Duty				Heavy Duty					Required output sharing choke	
	Maximum continuous output current	Peak current	Nominal motor power at 400V	Nominal motor power at 460V	Maximum continuous output current	Open loop peak current	Closed loop peak current	Nominal motor power at 400V	Nominal motor power at 460V		
	A	A	kW	hp	A	A	A	kW	hp		
	2 x SPMA14X1	389	428	225	300	342	439	512	185	300	1 x OTL411
	2 x SPMA14X2	448	493	250	400	399	513	598	225	350	1 x OTL412
	3 x SPMA14X1	584	642	315	500	513	659	769	280	450	3 x OTL401
	3 x SPMA14X2	672	739	355	550	598	769	897	315	500	3 x OTL402
	4 x SPMA14X1	779	859	400	650	684	878	1025	355	600	4 x OTL401
	4 x SPMA14X2	896	986	500	750	798	1026	1197	400	700	4 x OTL402
	5 x SPMA14X1	973	1071	550	850	855	1098	1281	450	750	5 x OTL401
	5 x SPMA14X2	1121	1233	600	950	997	1282	1496	550	850	5 x OTL402
	6 x SPMA14X1	1168	1285	650	1000	1026	1318	1538	550	900	6 x OTL401
	6 x SPMA14X2	1345	1479	750	1150	1197	1539	1795	650	1050	6 x OTL402

NOTE When connecting drives in parallel they must be derated. Table 3-2, Table 3-4, Table 3-6, Table 3-8 and Table 3-10 have already the required de-rating.

Table 3-3 SPMA 690V drive ratings (500V to 690V ±10%)

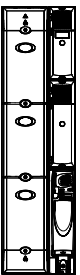
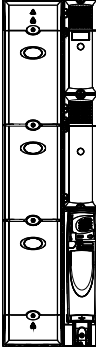
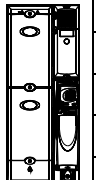
Model	Normal Duty				Heavy Duty					External 24V current consumption	
	Maximum continuous output current	Peak current	Nominal motor power at 690V	Nominal motor power at 575V	Maximum continuous output current	Open loop peak current	Closed loop peak current	Nominal motor power at 690V	Nominal motor power at 575V		
	A	A	kW	hp	A	A	A	kW	hp		
	SPMA16X1	125	137	110	125	100	128	149	90	100	3.3
	SPMA16X2	144	158	132	150	125	160	187	110	125	

Table 3-4 Paralleled SPMA 690V motor drive ratings (500V to 690V ±10%)

Paralleled SPMA modules	Normal Duty				Heavy Duty					Required output sharing choke
	Maximum continuous output current	Peak current	Nominal motor power at 690V	Nominal motor power at 575V	Maximum continuous output current	Open loop peak current	Closed loop peak current	Nominal motor power at 690V	Nominal motor power at 575V	
	A	A	kW	hp	A	A	A	kW	hp	
 2 x SPMA16X1	237	261	250	250	190	244	284	200	200	1 x OTL611
2 x SPMA16X2	273	300	280	300	237	305	356	250	250	1 x OTL612
3 x SPMA16X1	356	391	355	400	285	366	427	300	300	3 x OTL601
3 x SPMA16X2	410	451	450	450	356	457	534	355	400	3 x OTL602
4 x SPMA16X1	475	522	500	500	380	488	569	400	400	4 x OTL601
4 x SPMA16X2	547	601	560	600	475	610	712	500	500	4 x OTL602
5 x SPMA16X1	593	653	610	600	475	610	712	500	500	5 x OTL601
5 x SPMA16X2	684	752	710	700	593	763	890	610	600	5 x OTL602
6 x SPMA16X1	712	783	710	800	570	732	854	610	600	6 x OTL601
6 x SPMA16X2	820	902	875	900	712	915	1068	710	800	6 x OTL602

NOTE The Unidrive SPMD can be connected to its rectifier module in two ways, directly above the inverter (docked) or independently mounted in different vertical planes (undocked). Changes in the flow of air mean that the ratings are different for the two mounting methods for SPMD12x4. For details on docking, refer to section 5.6 *Docking a Unidrive SPMC/U to an SPMD* on page 39.


Table 3-5 SPMD 200V drive ratings (200V to 240V ±10%) based on AC supply voltage

Model	Normal Duty				Heavy Duty					Required rectifier	Required input line reactor	External 24V current consumption
	Maximum continuous output current	Peak current	Nominal motor power at 230V	Nominal motor power at 230V	Maximum continuous output current	Open loop peak current	Closed loop peak current	Nominal motor power at 230V	Nominal motor power at 230V			
	A	A	kW	hp	A	A	A	kW	hp			A
 SPMD12X1*	192	211	55	75	156	201	234	45	60	1 x SPMU1402	1 x INL401	3.3
SPMD12X2*	248	272	75	100	192	247	288	55	75			
SPMD12X3*	312	343	90	125	250	322	375	75	100			
SPMD12X4**	335	365	90	125	290	374	435	90	125		1 x INL402	
SPMD12X4***	350	385	110	150	290	374	435	90	125			

*SPMD12X1 to 12X3 ratings apply with the rectifier docked and undocked.

**SPMD12X4 rating with the rectifier docked. The overload rating for the SPMD12X4 is only available if the ambient temperature is 35°C or lower.

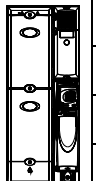
***SPMD12X4 rating with the rectifier undocked. The maximum continuous output current and overload rating for the SPMD12X4 is only available if the ambient temperature is 35°C or lower.



When using an SPMU a separate soft start circuit must be provided for the DC bus. Refer to Figure 4-6 on page 30 and section 6.5 *Resistor sizing for Unidrive SPMU softstart* on page 70.


CAUTION

Table 3-6 Paralleled SPMD 200V motor drive ratings (200V to 240V ±10%) based on AC supply voltage

Paralleled SPMD modules	Normal Duty				Heavy Duty					Required rectifier	Required line reactor	Required output sharing choke
	Maximum continuous output current	Peak current	Nominal motor power at 230V	Nominal motor power at 230V	Maximum continuous output current	Open loop peak current	Closed loop peak current	Nominal motor power at 230V	Nominal motor power at 230V			
	A	A	kW	hp	A	A	A	kW	hp			
 2 x SPMD12X1	364	401	110	150	296	381	444	90	125	1 x SPMU2402	1 x INL411	1 x OTL411
2 x SPMD12X2	471	518	132	200	364	468	546	110	150		1 x INL411	1 x OTL412
2 x SPMD12X3	592	652	160	250	475	610	712	150	200		1 x INL412	1 x OTL413
2 x SPMD12X4	636	700	200	250	551	708	826	160	200		1 x INL412	1 x OTL414

NOTE The Unidrive SPMD can be connected to its rectifier module in two ways, directly above the inverter (docked) or independently mounted in different vertical planes (undocked). Changes in the flow of air mean that the ratings are different for the two mounting methods for SPMD14x4. For details on docking, refer to section 5.6 *Docking a Unidrive SPMC/U to an SPMD* on page 39.

Table 3-7 SPMD 400V motor drive ratings (380V to 480V ±10%) based on AC supply voltage

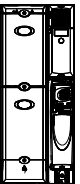
Model	Normal Duty				Heavy Duty					Required rectifier	Required input line reactor	External 24V current consumption	
	Maximum continuous output current	Peak current	Nominal motor power at 400V	Nominal motor power at 460V	Maximum continuous output current	Open loop peak current	Closed loop peak current	Nominal motor power at 400V	Nominal motor power at 460V				
	A	A	kW	hp	A	A	A	kW	hp			A	
	SPMD14X1*	205	225	110	150	180	232	270	90	150	1 x SPMC1402	1 x INL401	3.3
	SPMD14X2*	246	270	132	200	210	271	315	110	150			
	SPMD14X3*	290	319	160	250	246	310	359	132	200			
	SPMD14X4**	335	365	185	300	290	374	435	160	250			
	SPMD14X4***	350	385	200	300	290	374	435	160	250		1 x INL402	4.5

*SPMD14X1 to 14X3 ratings apply with the rectifier docked and undocked.

**SPMD14X4 rating with the rectifier docked. The overload rating for the SPMD14X4 is only available if the ambient temperature is 35°C or lower.

***SPMD14X4 rating with the rectifier undocked. The maximum continuous output current and overload rating for the SPMD14X4 is only available if the ambient temperature is 35°C or lower.

Table 3-8 Paralleled SPMD 400V motor drive ratings (380V to 480V ±10%) based on AC supply voltage

Paralleled SPMD modules	Normal Duty				Heavy Duty					Required rectifier	Required input line reactor	Required output sharing choke	
	Maximum continuous output current	Peak current	Nominal motor power at 400V	Nominal motor power at 460V	Maximum continuous output current	Open loop peak current	Closed loop peak current	Nominal motor power at 400V	Nominal motor power at 460V				
	A	A	kW	hp	A	A	A	kW	hp				
	2 x SPMD14X1	389	428	225	300	342	439	512	185	300	1 x SPMC2402	1 x INL411	1 x OTL411
	2 x SPMD14X2	467	514	280	400	399	513	598	225	300		1 x INL412	1 x OTL412
	2 x SPMD14X3	551	606	315	450	467	586	683	280	400		1 x INL411 + 1 x INL401	1 x OTL413
	2 x SPMD14X4	636	700	355	500	551	708	826	315	450		1 x INL412	1 x OTL414
	3 x SPMD14X2	701	771	400	600	598	769	897	315	500	1 x SPMC2402 + 1 x SPMC1402	1 x INL411 + 1 x INL401	3 x OTL402
	4 x SPMD14X1	779	856	450	650	684	878	1025	355	600	2 x SPMC2402	2 x INL411	4 x OTL401
	3 x SPMD14X3	826	909	450	700	701	879	1025	400	650	1 x SPMC2402 + 1 x SPMC1402	1 x INL412 + 1 x INL402	3 x OTL403
	4 x SPMD14X2	934	1028	500	800	798	1026	1197	450	700	2 x SPMC2402	2 x INL411	4 x OTL402
	3 x SPMD14X4	954	1050	560	800	826	1062	1239	450	750	1 x SPMC1402 + 1 x SPMC2402	1 x INL412 + 1 x INL402	3 x OTL404
	4 x SPMD14X3	1102	1212	630	900	934	1172	1367	550	800	2 x SPMC2402	2 x INL412	4 x OTL403
	4 x SPMD14X4	1272	1400	710	1000	1102	1416	1652	630	900	2 x SPMC2402	2 x INL412	4 x OTL404

NOTE When connecting drives in parallel they must be derated. Table 3-2, Table 3-4, Table 3-6, Table 3-8 and Table 3-10 have already the required de-rating.

Table 3-9 SPMD 690V motor drive ratings (500V to 690V ±10%)

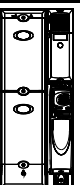
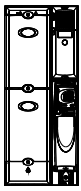
Model	Normal Duty				Heavy Duty					Required rectifier	Required input line reactor	External 24V current consumption	
	Maximum continuous output current	Peak current	Nominal motor power at 690V	Nominal motor power at 575V	Maximum continuous output current	Open loop peak current	Closed loop peak current	Nominal motor power at 690V	Nominal motor power at 575V				
	A	A	kW	hp	A	A	A	kW	hp			A	
	SPMD16X1	125	137	110	125	100	129	150	90	100	1 x SPMC/U1601	1 x INL601	3.3
	SPMD16X2	144	158	132	150	125	161	188	110	125			
	SPMD16X3	168	184	160	150	144	185	216	132	150			
	SPMD16X4	192	211	160	200	168	216	252	150	150		1 x INL602	4.5

Table 3-10 Paralleled SPMD 690V motor drive ratings (500V to 690V ±10%) based on AC supply voltage

Paralleled SPMD modules		Normal Duty				Heavy Duty					Required rectifier	Required input line reactor	Required output sharing choke
		Maximum continuous output current	Peak current	Nominal motor power at 690V	Nominal motor power at 575V	Maximum continuous output current	Open loop peak current	Closed loop peak current	Nominal motor power at 690V	Nominal motor power at 575V			
		A	A	kW	hp	A	A	A	kW	hp			
	2 x SPMD16X1	237	261	250	250	190	244	284	200	200	1 x SPMC2601	1 x INL611	1 x OTL611
	2 x SPMD16X2	273	300	280	300	237	305	356	250	250			1 x OTL612
	2 x SPMD16X3	319	351	315	350	273	351	410	250	300			1 x OTL613
	2 x SPMD16X4	364	401	315	350	319	410	478	280	350	2 x SPMC1601	1 x INL612	1 x OTL614
	3 x SPMD16X2	410	451	450	450	356	457	534	355	400	1 x SPMC2601 +	1 x INL611 + 1 x INL601	3 x OTL602
	3 x SPMD16X3	478	526	500	500	410	527	615	450	450	1 x SPMC1601		1 x INL612 +
	3 x SPMD16X4	547	601	545	600	478	615	718	450	500	3 x SPMC1601	1 x INL602	3 x OTL604
	4 x SPMD16X3	638	702	630	700	547	703	820	545	600	2 x SPMC2601	2 x INL612	4 x OTL603
	4 x SPMD16X4	729	802	710	800	638	820	957	630	700	4 x SPMC1601		4 x OTL604

NOTE When connecting drives in parallel they must be derated. Table 3-2, Table 3-4, Table 3-6, Table 3-8 and Table 3-10 have already the required de-rating.

Table 3-11 Unidrive SPMC/U 400V ratings

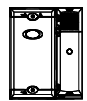
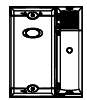
Model		Maximum AC input current	Maximum DC output current	External 24V current consumption
		A	A	A
	SPMC/U1402	344	379	3.0
	SPMC/U2402	2 x 312	2 x 345	

Table 3-12 Unidrive SPMC/U 690V ratings

Model		Maximum AC input current	Maximum DC output current	External 24V current consumption
		A	A	A
	SPMC/U1601	195	209	3.0
	SPMC/U2601	2 x 173	2 x 185	

3.1.1 Typical short term overload limits

The maximum percentage overload limit changes depending on the selected motor. Variations in motor rated current, motor power factor and motor leakage inductance all result in changes in the maximum possible overload. The exact value for a specific motor can be calculated using the equations detailed in Menu 4 in the *Unidrive SP Advanced User Guide*.

Typical values are shown in the tables below for closed loop vector (VT) and open loop (OL) modes.

Table 3-13 Typical overload limits for all Unidrive SPM modules

Operating mode	Closed loop/RFC/Servo/Regen from cold	Closed loop/RFC/Servo/Regen from 100%	Open loop from cold	Open loop from 100%
Normal Duty overload with motor rated current = drive rated current	110% for 165s	110% for 9s	110% for 165s	110% for 9s
Heavy Duty overload with motor rated current = drive rated current	150% for 60s	150% for 8s	129% for 97s	129% for 15s

Generally the drive rated current is higher than the matching motor rated current allowing a higher level of overload than the default setting. The time allowed in the overload region is proportionally reduced at very low output frequency on some drive ratings.

NOTE

The maximum overload level which can be attained is independent of the speed.

3.2 Operating modes

The Unidrive SPM is designed to operate in any of the following modes:

- Open loop mode
 - Open loop vector
 - Fixed V/F mode (V/Hz)
 - Quadratic V/F mode (V/Hz)
- RFC mode
- Closed loop vector
- Servo
- Regen

3.2.1 Open loop mode

For use with induction motors.

The drive applies power to the motor at frequencies varied by the user. The motor speed is a result of the output frequency of the drive and slip due to the mechanical load. The drive can improve the speed control of the motor by applying slip compensation. The performance at low speed depends on whether V/F mode or open loop vector mode is selected.

Open loop vector mode

The voltage applied to the motor is directly proportional to the frequency except at low speed where the drive uses motor parameters to apply the correct voltage to keep the flux constant under varying load conditions.

Typically 100% torque is available down to 1Hz for a 50Hz motor.

For further details refer to section 10.1.1 *Open loop motor control* on page 136.

Fixed V/F mode

The voltage applied to the motor is directly proportional to the frequency except at low speed where a voltage boost is provided which is set by the user. This mode can be used for multi-motor applications.

Typically 100% torque is available down to 4Hz for a 50Hz motor.

Quadratic V/F mode

The voltage applied to the motor is directly proportional to the square of the frequency except at low speed where a voltage boost is provided which is set by the user. This mode can be used for running fan or pump applications with quadratic load characteristics or for multi-motor applications. This mode is not suitable for applications requiring a high starting torque.

3.2.2 RFC mode

Rotor flux control provides closed loop control without the need for position feedback by using current, voltages and key motor parameters to estimate the motor speed. It can eliminate instability traditionally associated with open loop control such as operating large motors with light loads at low frequencies.

For further details refer to section 10.1.2 *RFC mode* on page 138.

3.2.3 Closed loop vector mode

For use with induction motors with a feedback device installed.

The drive directly controls the speed of the motor using the feedback device to ensure the rotor speed is exactly as demanded. Motor flux is accurately controlled at all times to provide full torque all the way down to zero speed.

For further details refer to section section 10.1.3 *Closed loop vector motor control* on page 141.

3.2.4 Servo

For use with permanent magnet brushless motors with a feedback device installed.

The drive directly controls the speed of the motor using the feedback device to ensure the rotor speed is exactly as demanded. Flux control is not required because the motor is self excited by the permanent magnets which form part of the rotor.

Absolute position information is required from the feedback device to ensure the output voltage is accurately matched to the back EMF of the motor. Full torque is available all the way down to zero speed.

For further details refer to section 10.1.4 *Servo motor control* on page 144.

3.2.5 Regen

For use as a regenerative front end for four quadrant operation.

Regen operation allows bi-directional power flow to and from the AC supply. This provides far greater efficiency levels in applications which would otherwise dissipate large amounts of energy in the form of heat in a braking resistor.

The harmonic content of the input current is negligible due to the sinusoidal nature of the waveform when compared to a conventional bridge rectifier or SCR/thyristor front end.

See the *Unidrive SP Regen Installation Guide* for more information about operation in this mode.

3.3 Compatible encoders

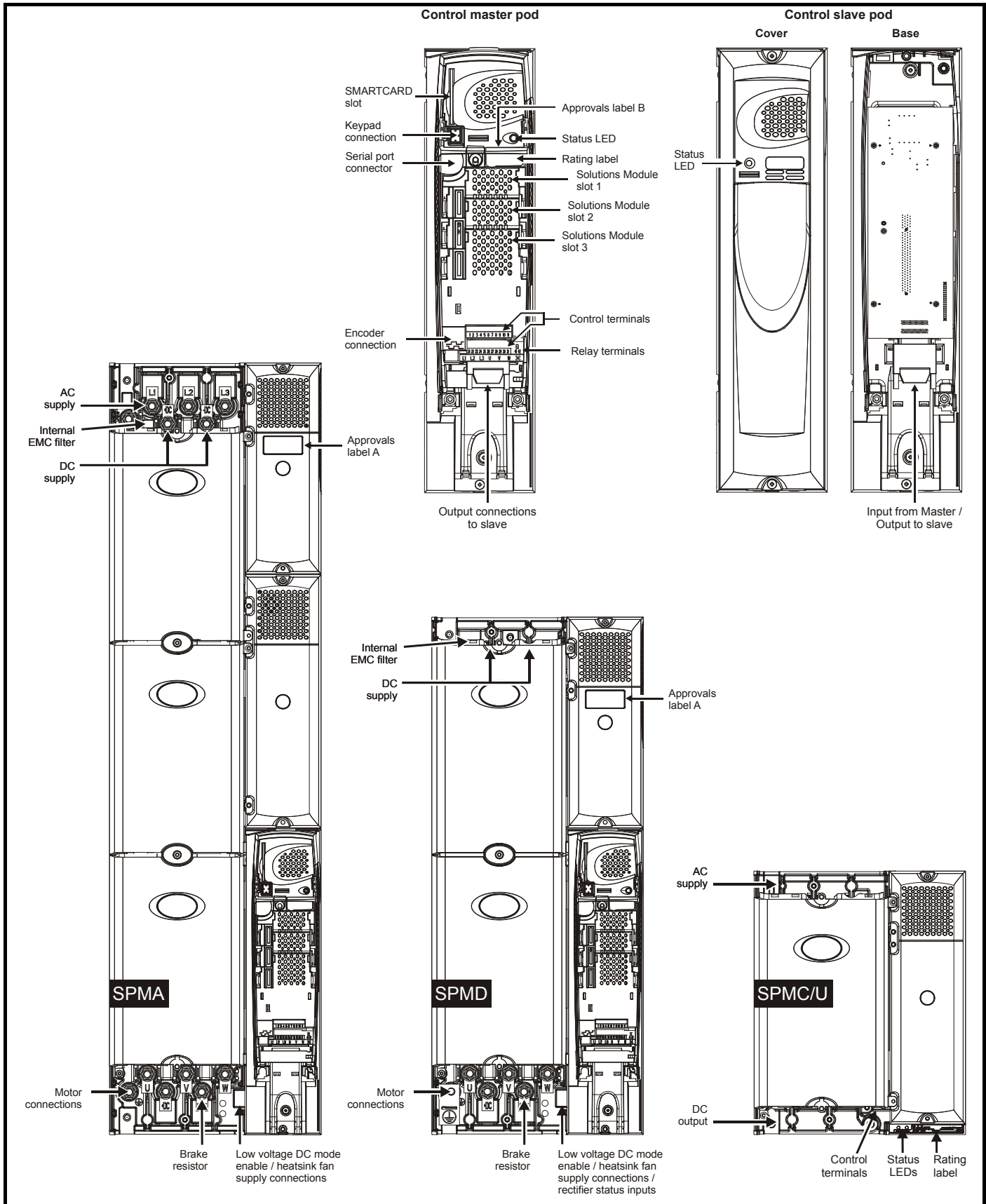
Table 3-14 Encoders compatible with Unidrive SPM

Encoder type	Pr 3.38 setting
Quadrature incremental encoders with or without marker pulse	Ab (0)
Quadrature incremental encoders with UVW commutation signals for absolute position for permanent magnet motors with or without marker pulse	Ab.SERvo (3)
Forward / reverse incremental encoders with or without marker pulse	Fr (2)
Forward / reverse incremental encoders with UVW commutation signals for absolute position for permanent magnet motors with or without marker pulse	Fr.SERvo (5)
Frequency and direction incremental encoders with or without marker pulse	Fd (1)
Frequency and direction incremental encoders with UVW commutation signals for absolute position for permanent magnet motors with or without marker pulse	Fd.SERvo (4)
Sincos incremental encoders	SC (6)
Heidenhain sincos encoders with Endat comms for absolute position	SC.EndAt (9)
Stegmann sincos encoders with Hiperface comms for absolute position	SC.HiPEr (7)
Sincos encoders with SSI comms for absolute position	SC.SSI (11)
SSI encoders (Gray code or binary)	SSI (10)
Endat comms only encoders	EndAt (8)
UVW commutation only encoders*	Ab.SERvo (3)

* This feedback device provides very low resolution feedback and should not be used for applications requiring a high level of performance

3.4 Features

Figure 3-1 Features of the Unidrive SPM Modules



NOTE

24V supply is required for fans on all modules.

3.5 Nameplate description

See Figure 3-1 Features of the Unidrive SPM Modules for location of rating labels.

Figure 3-2 Typical drive rating labels

Approvals label A
(SPMA / SPMD - Master and Slave)

Key to approvals


	CE approval	Europe
	C Tick approval	Australia
	UL / cUL approval	USA & Canada

Rating label
(SPMA / SPMD - Master and Slave)

Approvals label B
(SPMA / SPMD - Master only)

Rectifier rating label
(SPMC / SPMU only)

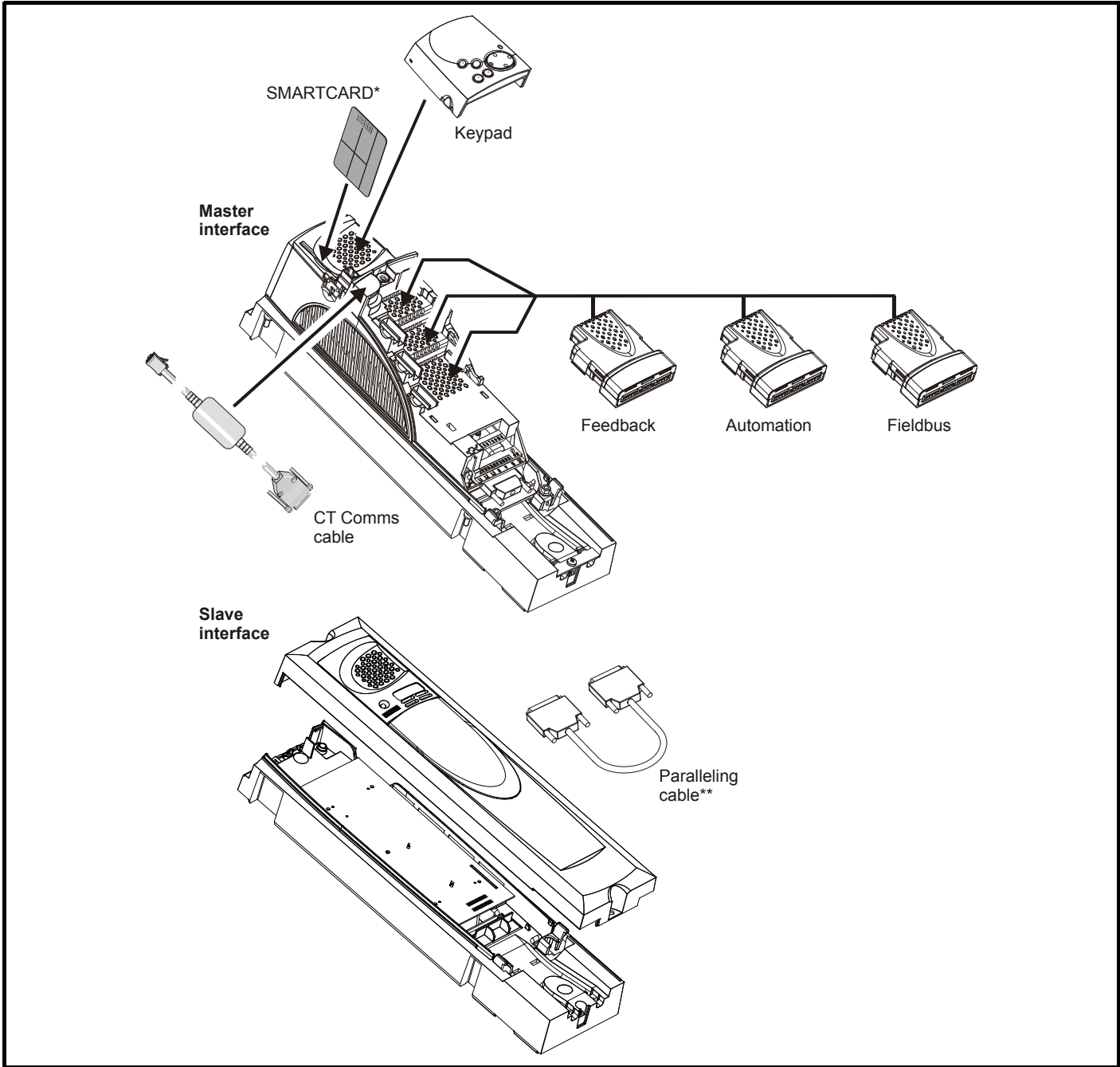
3.6 Options



Power down the drive before installing / removing the Solutions Module.

WARNING

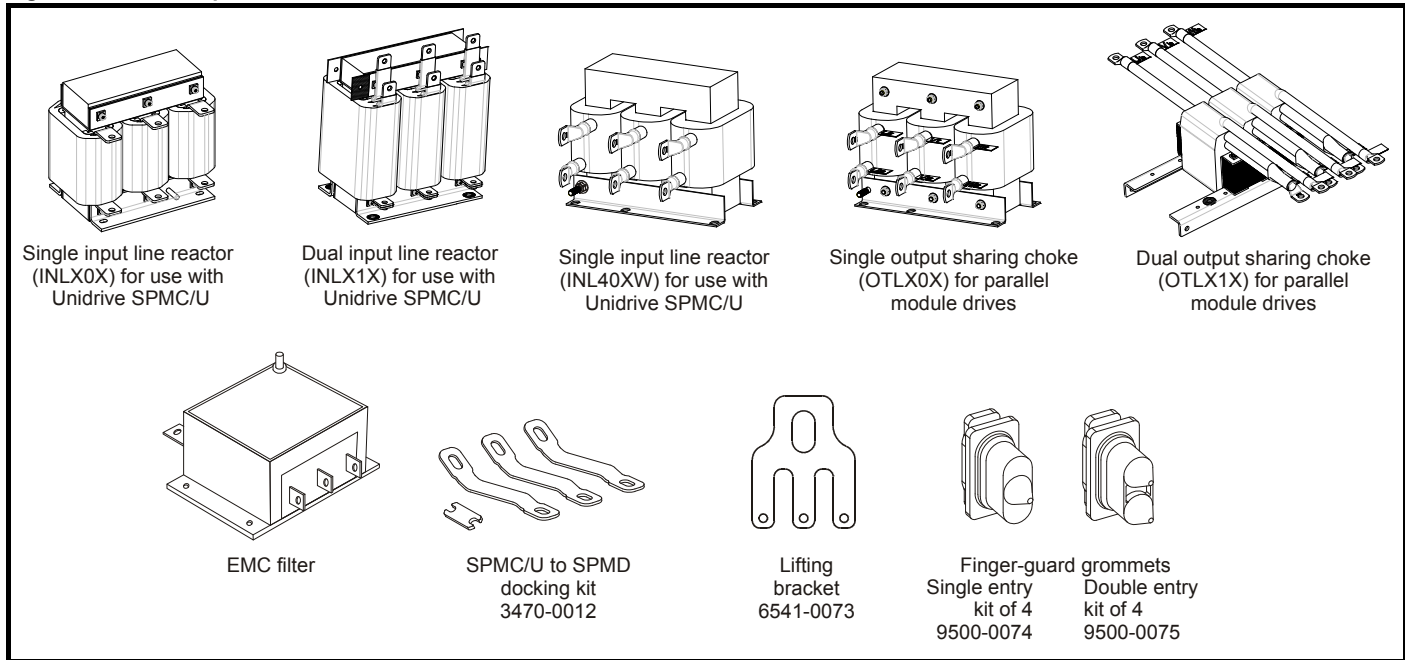
Figure 3-3 Control options available with Unidrive SPM



* A SMARTCARD is provided as standard. Only one SMARTCARD can be installed at any one time. For further information, refer to Chapter 11 SMARTCARD operation on page 149.

** Paralleling cable is only supplied with a control slave pod.

Figure 3-4 Power options available for Unidrive SPM



A separate input line reactor of at least the value shown in Table 6-2 and Table 6-3 on page 68 must be used with the rectifiers. Failure to provide sufficient reactance could damage or reduce the service life of the rectifier or inverter.

All Unidrive SPM Solutions Modules are color-coded in order to make identification easy. The following table shows the color-code key and gives further details on their function.



Power down the drive before installing / removing the Solutions Module. Failure to do so may result in damage to the product.

Table 3-15 Solutions Module identification

Type	Solutions Module	Color	Name	Further Details
Feedback		Light Green	SM-Universal Encoder Plus	Universal Feedback interface Feedback interface for the following devices: Inputs <ul style="list-style-type: none"> Incremental encoders SinCos encoders SSI encoders EnDat encoders Outputs <ul style="list-style-type: none"> Quadrature Frequency and direction SSI simulated outputs
		Light Blue	SM-Resolver	Resolver interface Feedback interface for resolvers. Simulated quadrature encoder outputs
		Brown	SM-Encoder Plus	Incremental encoder interface Feedback interface for incremental encoders without commutation signals. No simulated encoder outputs available
		Dark Brown	SM-Encoder Output Plus	Incremental encoder interface Feedback interface for incremental encoders without commutation signals. Simulated encoder output for quadrature, frequency and direction signals
		N/A	15-way D-type converter	Drive encoder input converter Provides screw terminal interface for encoder wiring and spade terminal for shield
		N/A	Single ended encoder interface (15V)	Single ended encoder interface Provides an interface for 15V single ended ABZ or UVW encoder signals, such as those from hall effect sensors

Table 3-15 Solutions Module identification












Type	Solutions Module	Color	Name	Further Details
Automation (I/O Expansion)		Yellow	SM-I/O Plus	Additional I/O interface Increases the I/O capability by adding the following to the existing I/O in the drive: <ul style="list-style-type: none"> • Digital inputs x 3 • Digital I/O x 3 • Analog inputs (voltage) x 2 • Analog output (voltage) x 1 • Relay x 2
		Yellow	SM-I/O 32	Additional I/O interface Increase the I/O capability by adding the following to the existing I/O in the drive: <ul style="list-style-type: none"> • High speed digital I/O x 32 • +24V output
		Dark Yellow	SM-I/O Lite	Additional I/O 1 x Analog input (± 10V bi-polar or current modes) 1 x Analog output (0-10V or current modes) 3 x Digital input and 1 x Relay
		Dark Red	SM-I/O Timer	Additional I/O with real time clock As per SM-I/O Lite but with the addition of a Real Time Clock for scheduling drive running
		Turquoise	SM-I/O PELV	Isolated I/O to NAMUR NE37 specifications For chemical industry applications 1 x Analog input (current modes) 2 x Analog outputs (current modes) 4 x Digital input / outputs, 1 x Digital input, 2 x Relay outputs
		Olive	SM-I/O 120V	Additional I/O conforming to IEC 61131-2 120Vac 6 digital inputs and 2 relay outputs rated for 120Vac operation
		Cobalt Blue	SM-I/O 24V Protected	Additional I/O with overvoltage protection up to 48V 2 x Analog outputs (current modes) 4 x Digital input / outputs, 3 x Digital inputs, 2 x Relay outputs
Automation (Applications)		Dark Green	SM-Applications	Applications Processor (with CTNet) 2 nd processor for running pre-defined and /or customer created application software with CTNet support
		White	SM-Applications Lite	Applications Processor 2 nd processor for running pre-defined and /or customer created application software
		Dark Blue	SM-EZMotion	Motion Controller 1½ axis motion controller with processor for running customer created application specific software.
		Moss Green	SM-Applications Plus	Applications Processor (with CTNet) 2 nd processor for running pre-defined and /or customer created application software with CTNet support. Enhanced performance over SM-Applications.

Table 3-15 Solutions Module identification








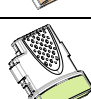
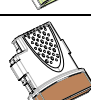
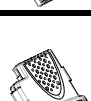
Type	Solutions Module	Color	Name	Further Details
Fieldbus		Purple	SM-PROFIBUS-DP	Profibus option PROFIBUS DP adapter for communications with the drive
		Medium Grey	SM-DeviceNet	DeviceNet option Devicenet adapter for communications with the drive
		Dark Grey	SM-INTERBUS	Interbus option Interbus adapter for communications with the drive
		Pink	SM-CAN	CAN option CAN adapter for communications with the drive
		Light Grey	SM-CANopen	CANopen option CANopen adapter for communications with the drive
		Red	SM-SERCOS	SERCOS option Class B compliant. Torque velocity and position control modes supported with data rates (bit/sec): 2MB, 4MB, 8MB and 16MB. Minimum 250µsec network cycle time. Two digital high speed probe inputs 1µsec for position capture
		Beige	SM-Ethernet	Ethernet option 10 base-T / 100 base-T; Supports web pages, SMTP mail and multiple protocols: DHCP IP addressing; Standard RJ45 connection
		Pale Green	SM-LON	LonWorks option LonWorks adapter for communications with the drive
		Brown Red	SM-EtherCAT	EtherCAT option EtherCAT adapter for communication with the drive
SLM		Orange	SM-SLM	SLM interface The SM-SLM allows SLM feedback to be connected directly to the Unidrive SP drive and allows operation in either of the following modes: <ul style="list-style-type: none"> Encoder only mode Host mode

Table 3-16 Keypad identification



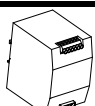
Type	Keypad	Name	Further Details
Keypad		SM-Keypad	LED keypad option Keypad with a LED display
		SM-Keypad Plus	LCD keypad option Keypad with an alpha-numeric LCD display with Help function



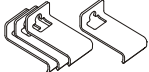
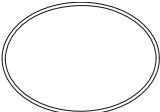
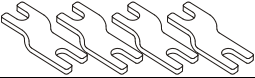
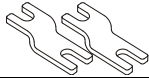

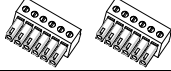
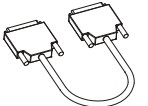

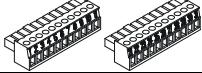
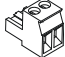


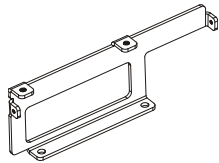
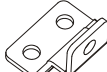

Table 3-17 Other options

Type	Option	Name	Further Details
Power supply		24V power supply	24V, 10A power supply (Part No: 8510-0000)

3.7 Items supplied with the drive

The drive is supplied with a copy of the *Unidrive SPM User Guide*, a SMARTCARD (control master pod only), the safety booklet, the certificate of quality, an accessory kit box including the items shown in Table 3-18, and two CD ROMs. The Unidrive SPM CD ROM contains information specific to this product, and the standard Unidrive SP CD ROM contains general documentation and software tools.

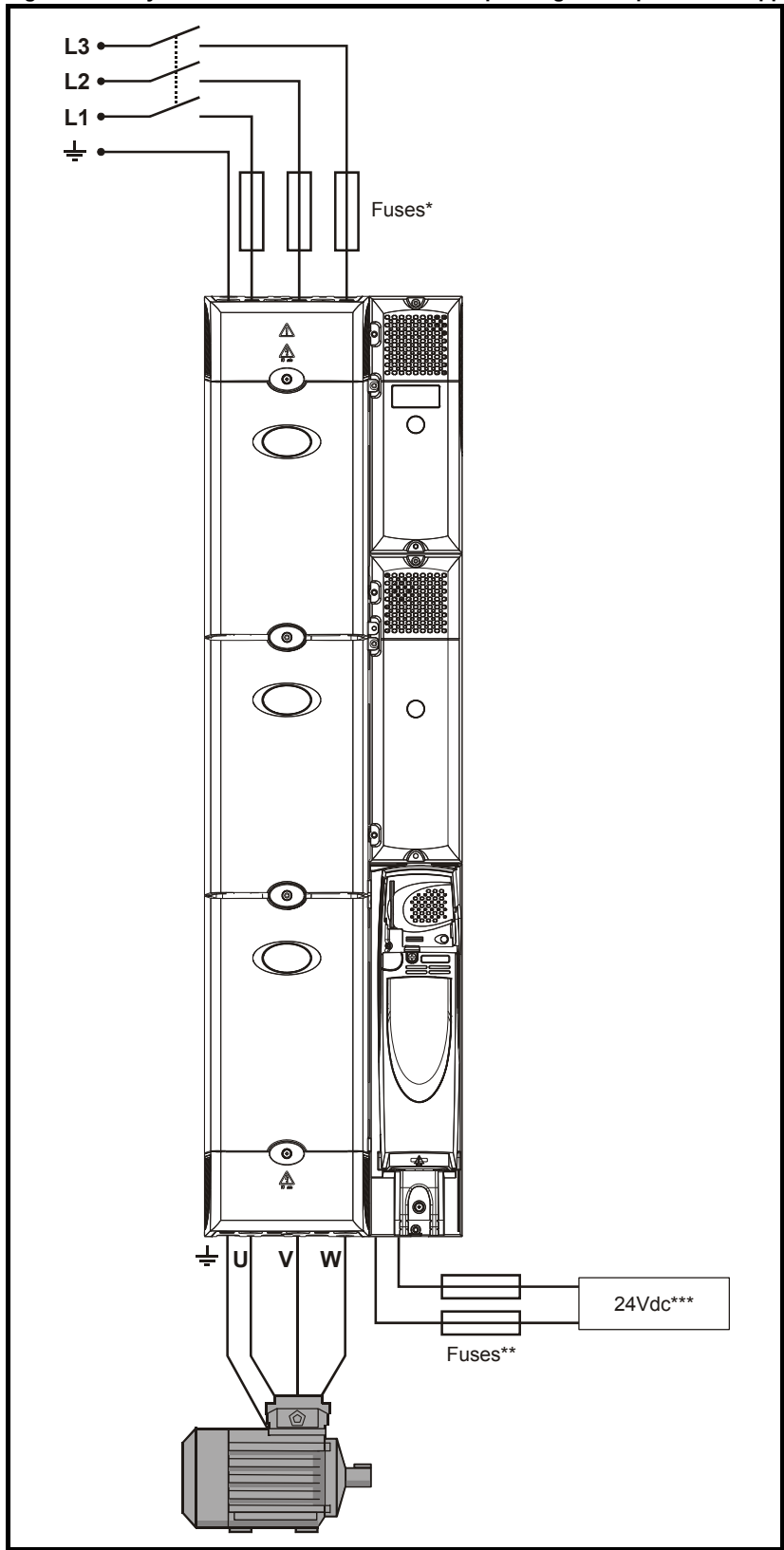
Table 3-18 Accessories supplied with Unidrive SPM

Description	SPMA	SPMD	SPMC/U
UL warning label			
Nylon washers			
Sealing clips			
Through panel mounting gasket			
Mounting bracket			
Fan / control connector(s)			
Paralleling cable		Slave only	
Mounting screws			
Control connectors			Master only
Relay connector			Master only
Grounding bracket			Master only
Top surface mounting brackets			
Surface mounting brackets			
Grounding busbar			
EMC output bracket			

4 System configuration

This chapter demonstrates various Unidrive SPM system configurations. A suitable external 24Vdc power supply is available from the supplier of the drive. See section 14.1.4 *Unidrive SPM 24V power supply* on page 267 for further details.

Figure 4-1 Layout for a Unidrive SPMA module operating on a 3-phase AC supply

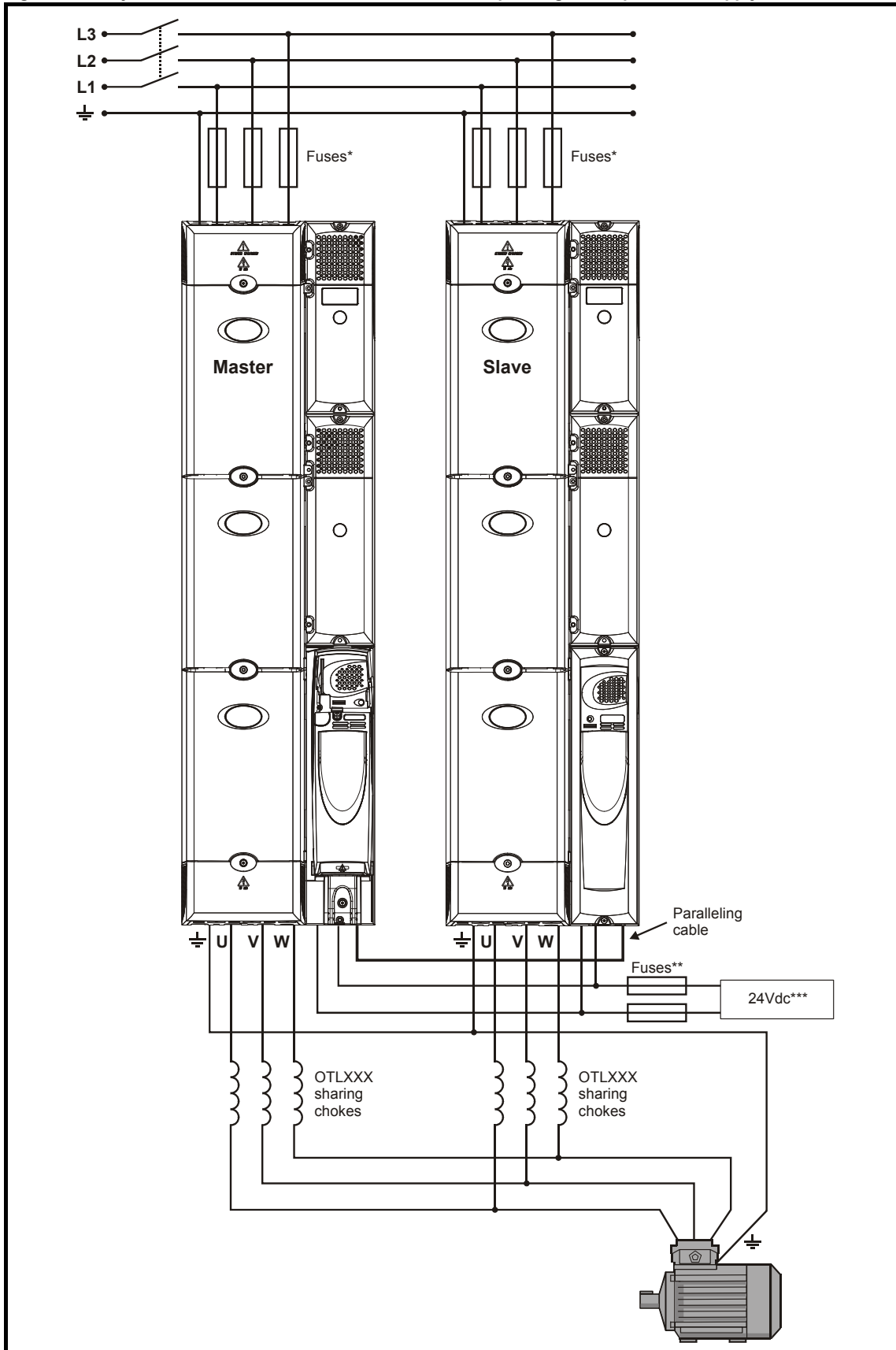


*Refer to Table 6-15 on page 74 for technical data and part numbers.

**Fuses are needed only if the power supply has a current rating of more than 10A.

***Refer to section 14.1.3 *Supply requirements* on page 267 for supply requirements.

Figure 4-2 Layout for two or more Unidrive SPMA modules operating on a 3-phase AC supply



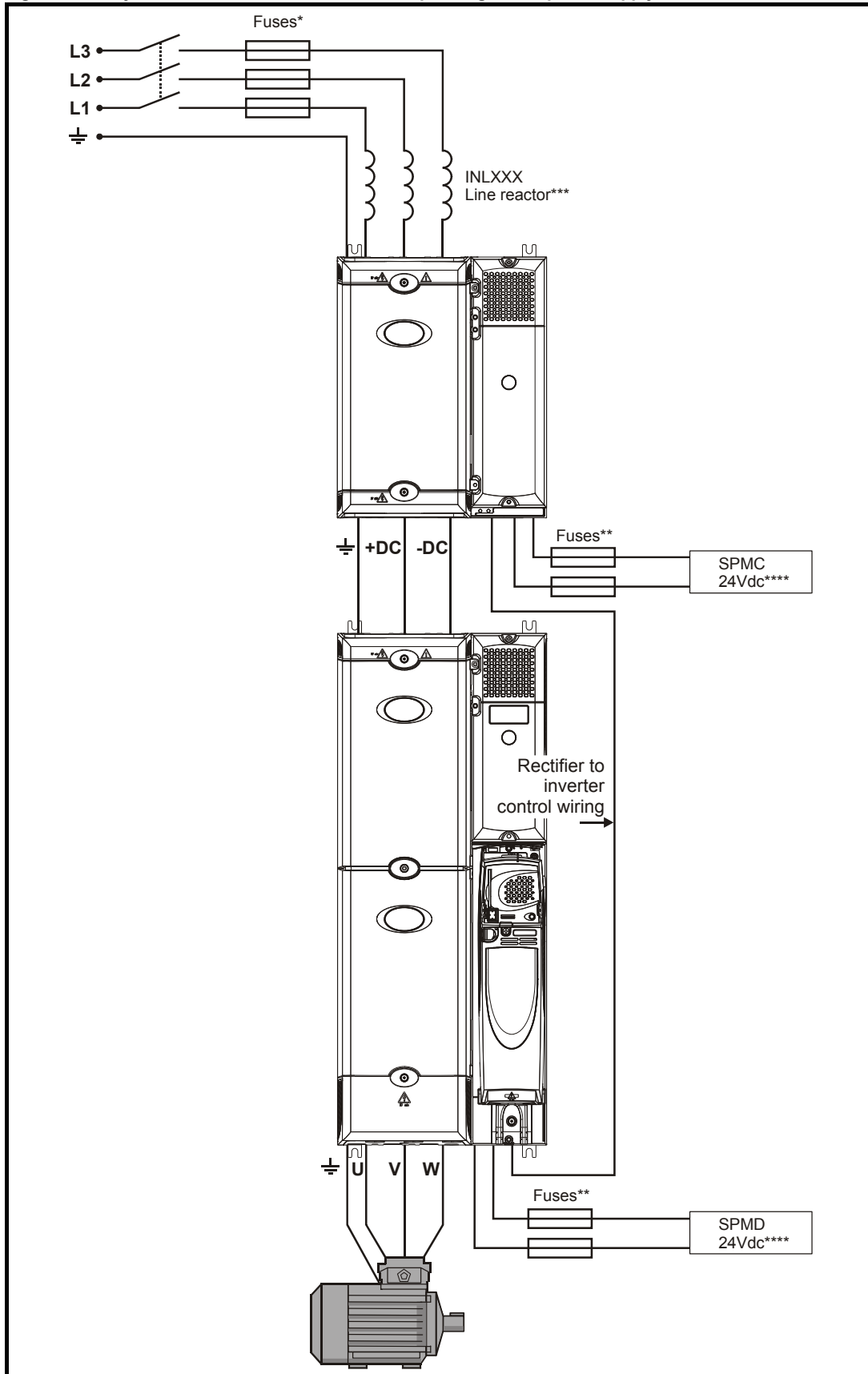
*Refer to Table 6-15 on page 74 for technical data and part numbers.

**Fuses are needed only if the power supply has a current rating of more than 10A.

***Refer to section 14.1.3 *Supply requirements* on page 267 for supply requirements.

Refer to the external 24V power supply current consumption column in the ratings tables in section 3.1 *Ratings* on page 12.

Figure 4-3 Layout for an Unidrive SPMD module operating on a 3-phase supply



*Refer to Table 6-16, Table 6-17 on page 74 and Table 6-18 on page 75 for technical data and part numbers.

**Fuses are needed only if the power supply has a current rating of more than 10A.

***Refer to Table 6-2, Table 6-3, Table 6-4 and Table 6-5 on page 68 for technical data and part numbers.

****Refer to section 14.1.3 *Supply requirements* on page 267 for supply requirements.

Figure 4-4 Layout for an Unidrive SPMD module operating on a 3 phase supply with SPMU (uncontrolled) rectifier and softstart circuit

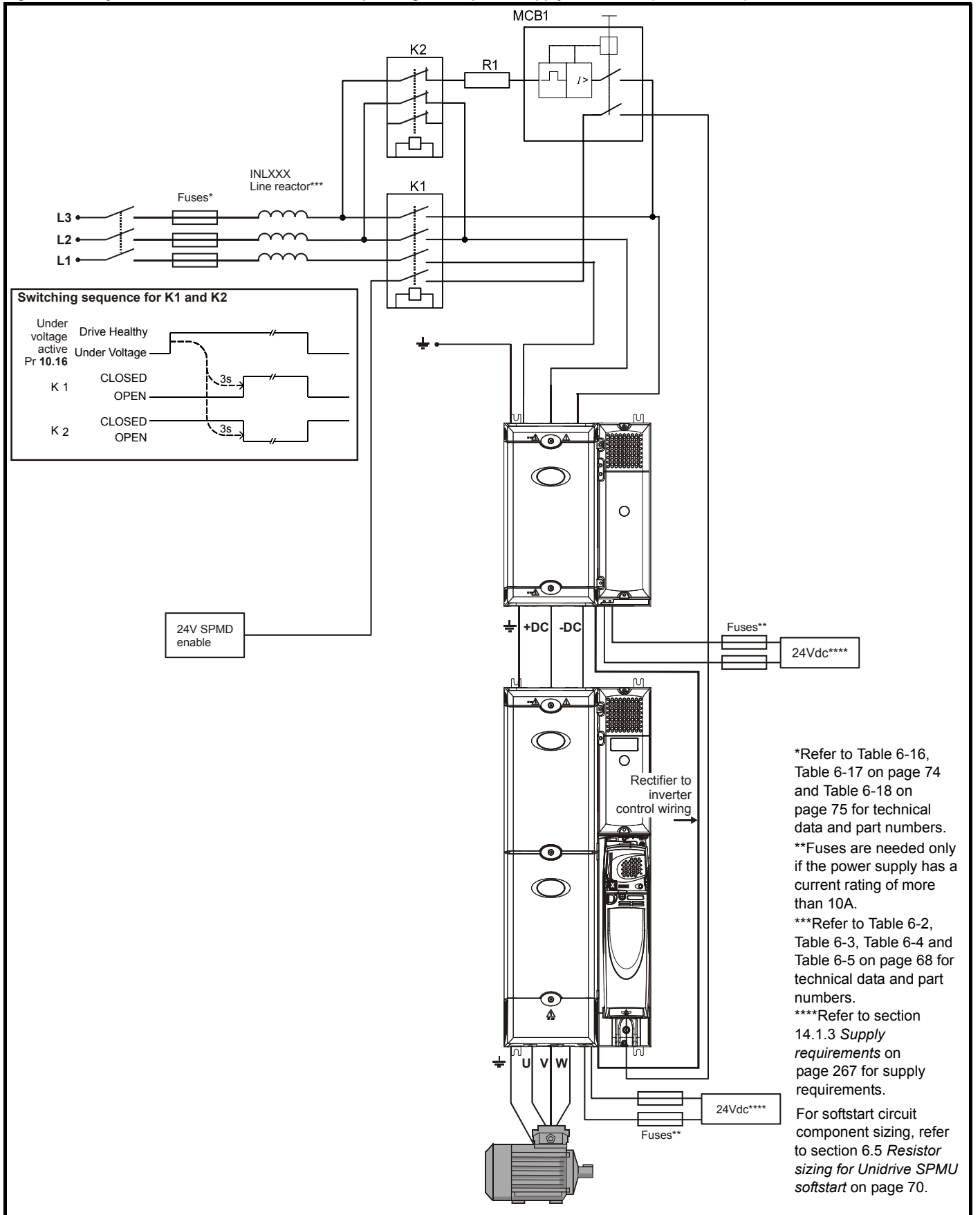
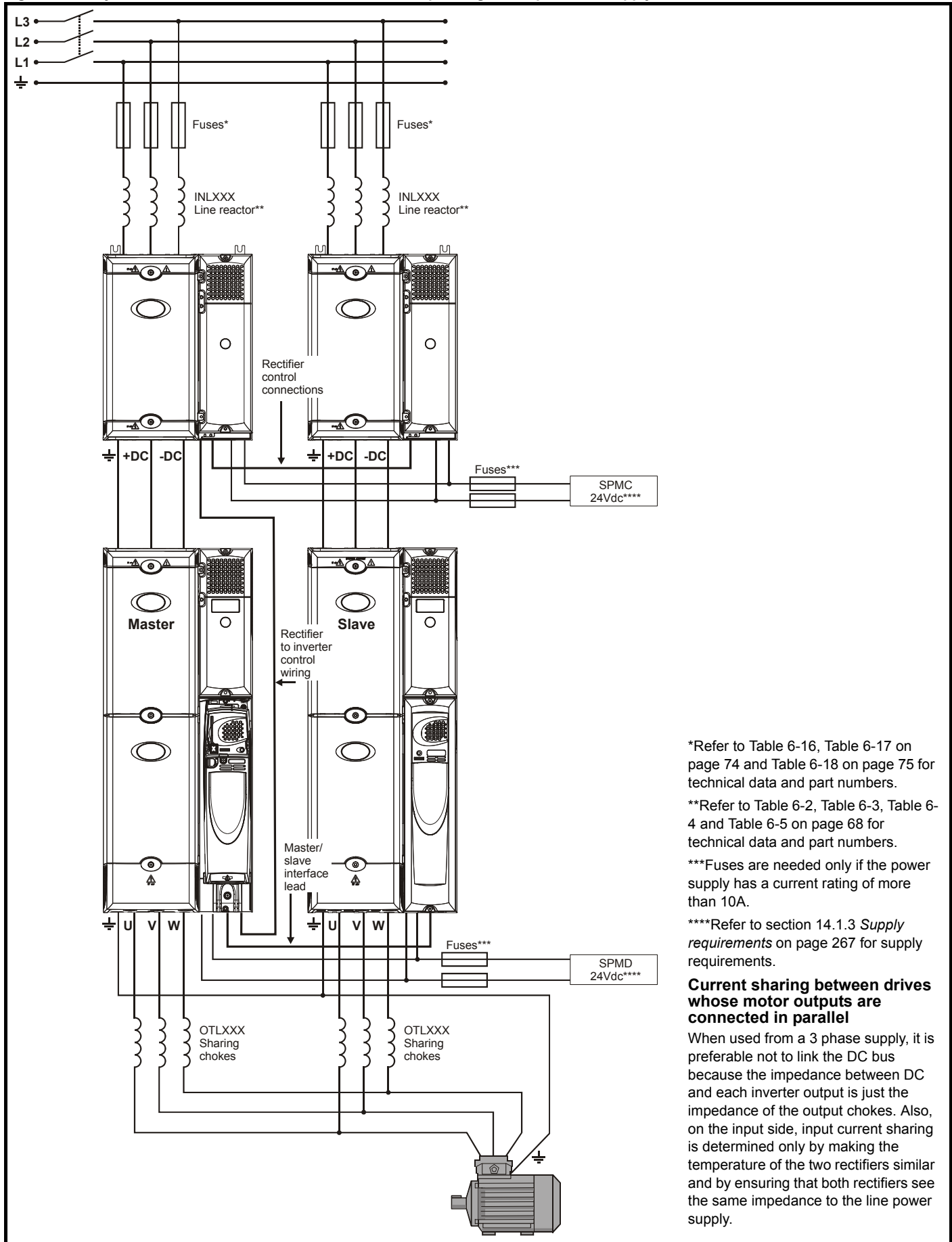


Figure 4-5 Layout for two or more Unidrive SPMD modules operating on a 3-phase AC supply



*Refer to Table 6-16, Table 6-17 on page 74 and Table 6-18 on page 75 for technical data and part numbers.

**Refer to Table 6-2, Table 6-3, Table 6-4 and Table 6-5 on page 68 for technical data and part numbers.

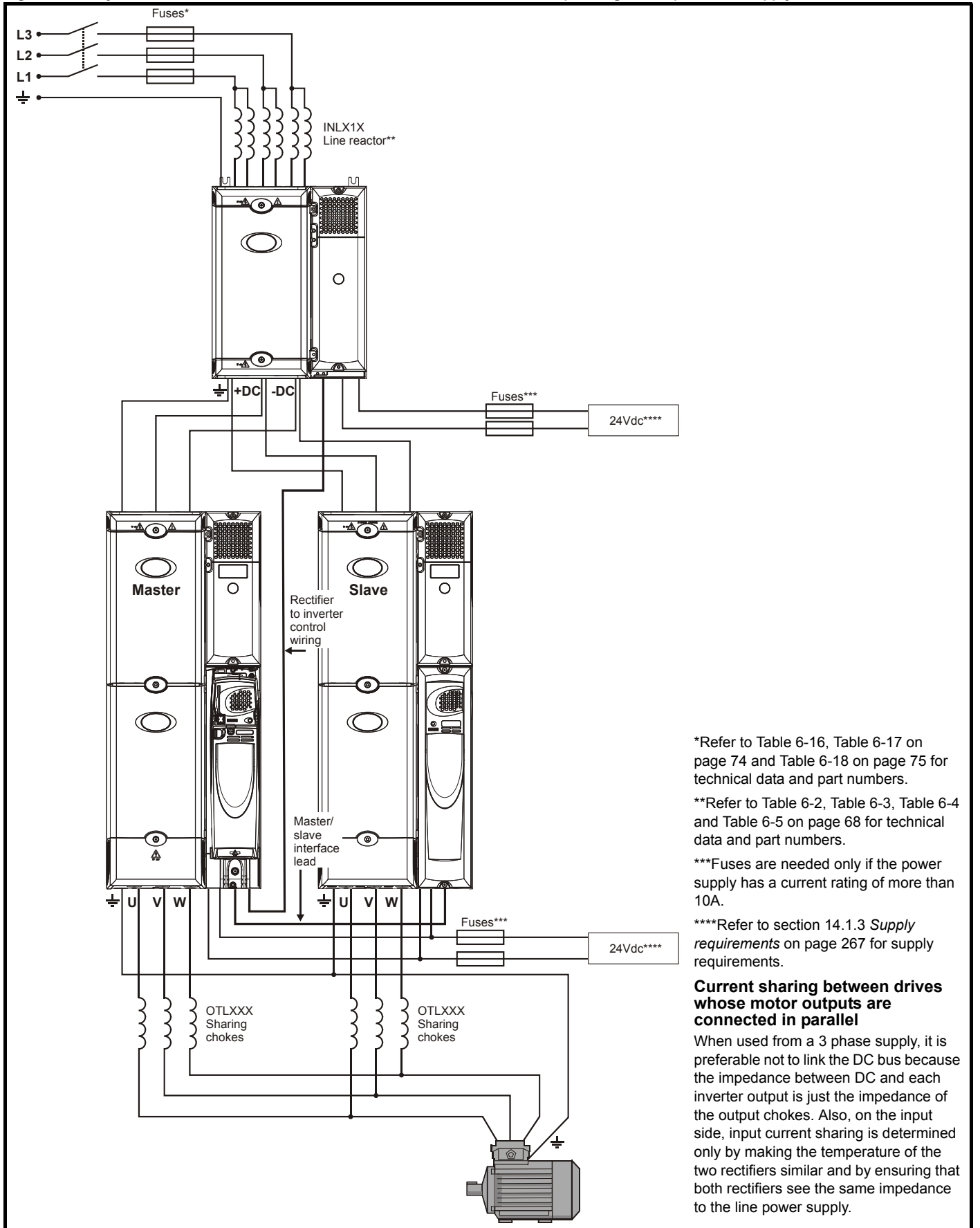
***Fuses are needed only if the power supply has a current rating of more than 10A.

****Refer to section 14.1.3 *Supply requirements* on page 267 for supply requirements.

Current sharing between drives whose motor outputs are connected in parallel

When used from a 3 phase supply, it is preferable not to link the DC bus because the impedance between DC and each inverter output is just the impedance of the output chokes. Also, on the input side, input current sharing is determined only by making the temperature of the two rectifiers similar and by ensuring that both rectifiers see the same impedance to the line power supply.

Figure 4-6 Layout for two Unidrive SPMD modules with a dual SPMC rectifier operating on a 3-phase AC supply



*Refer to Table 6-16, Table 6-17 on page 74 and Table 6-18 on page 75 for technical data and part numbers.

**Refer to Table 6-2, Table 6-3, Table 6-4 and Table 6-5 on page 68 for technical data and part numbers.

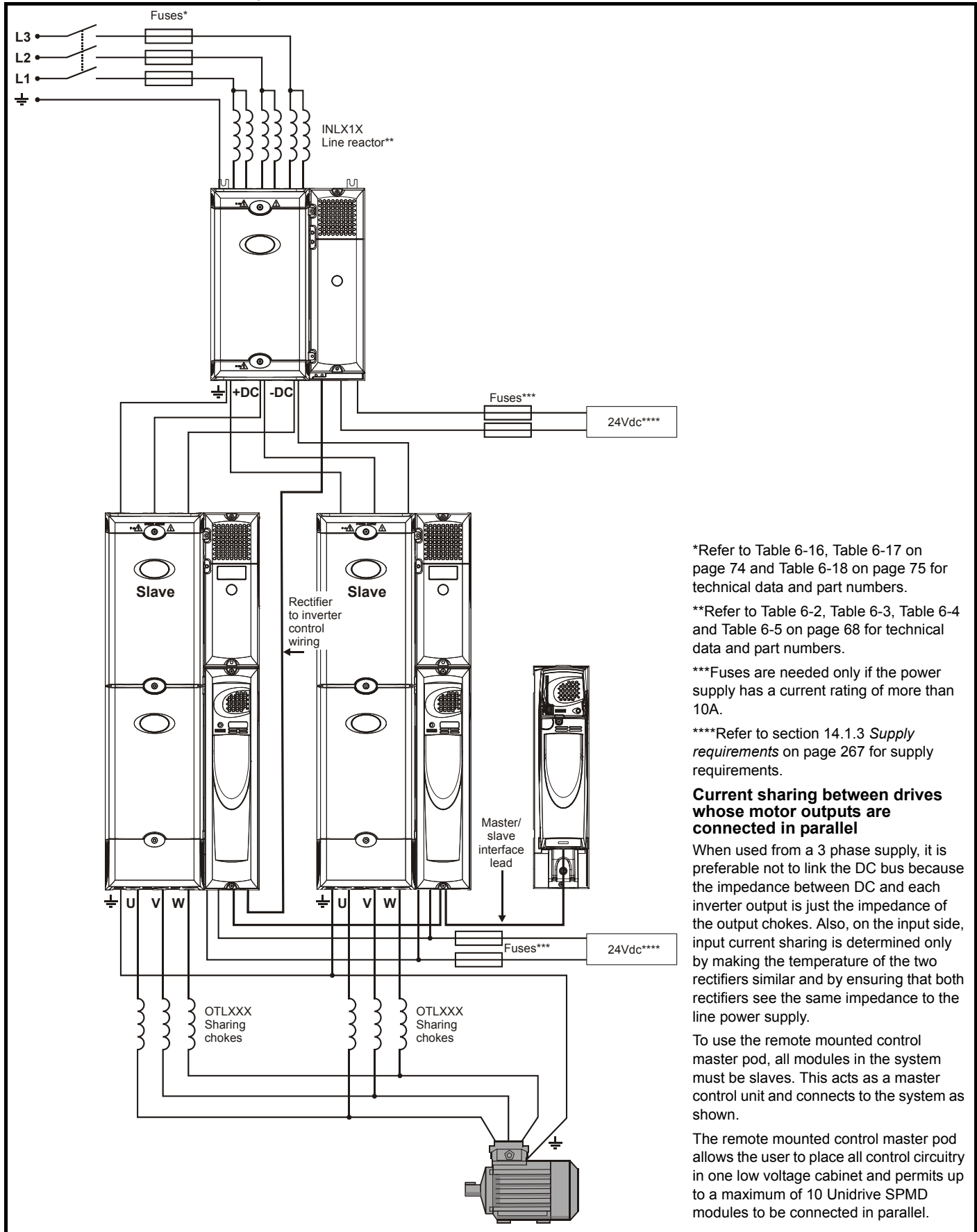
***Fuses are needed only if the power supply has a current rating of more than 10A.

****Refer to section 14.1.3 *Supply requirements* on page 267 for supply requirements.

Current sharing between drives whose motor outputs are connected in parallel

When used from a 3 phase supply, it is preferable not to link the DC bus because the impedance between DC and each inverter output is just the impedance of the output chokes. Also, on the input side, input current sharing is determined only by making the temperature of the two rectifiers similar and by ensuring that both rectifiers see the same impedance to the line power supply.

Figure 4-7 Layout for two Unidrive SPMD slave modules with a dual SPMC rectifier operating on a 3-phase AC supply with a remote mounted control master pod



*Refer to Table 6-16, Table 6-17 on page 74 and Table 6-18 on page 75 for technical data and part numbers.

**Refer to Table 6-2, Table 6-3, Table 6-4 and Table 6-5 on page 68 for technical data and part numbers.

***Fuses are needed only if the power supply has a current rating of more than 10A.

****Refer to section 14.1.3 *Supply requirements* on page 267 for supply requirements.

Current sharing between drives whose motor outputs are connected in parallel

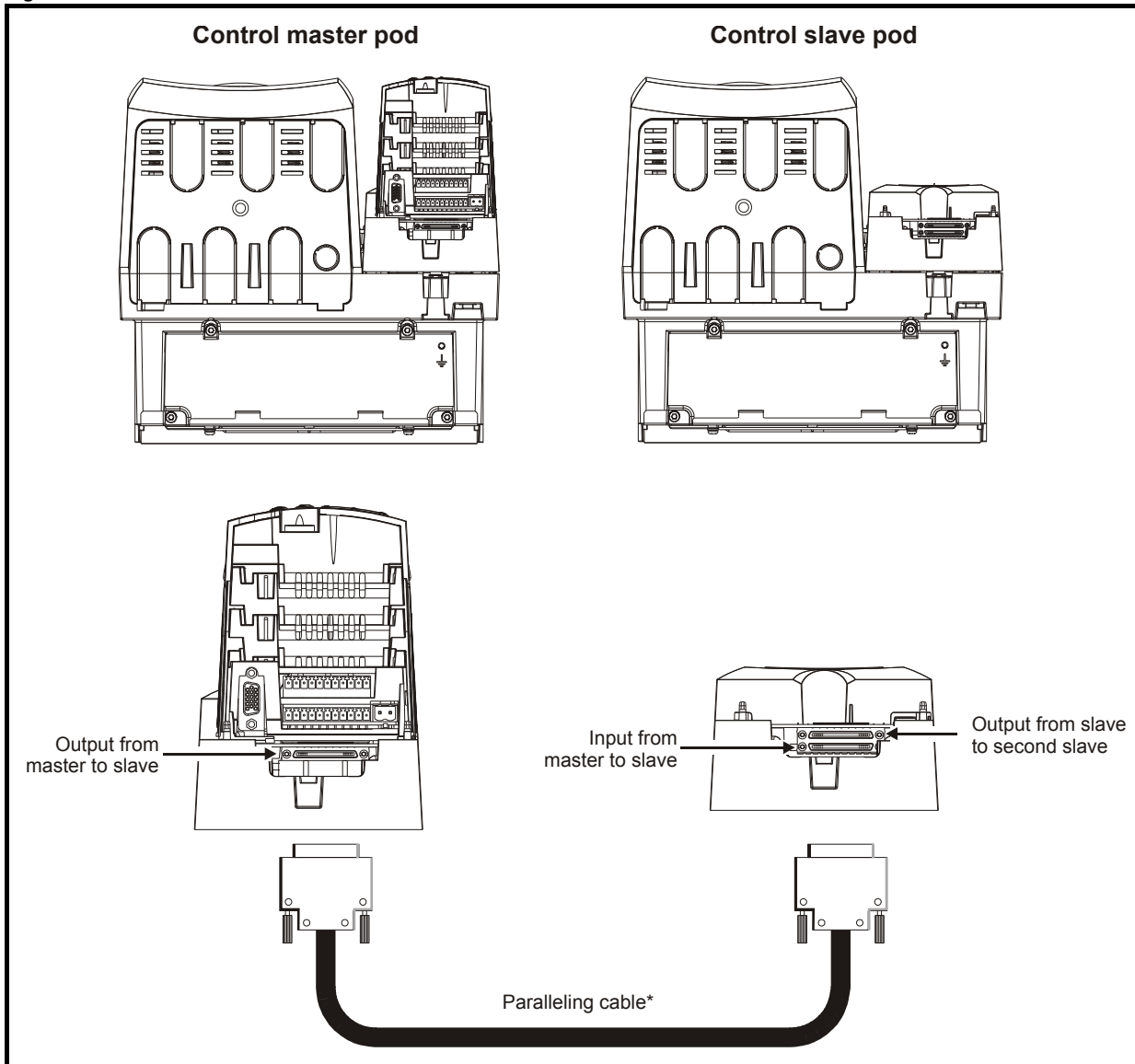
When used from a 3 phase supply, it is preferable not to link the DC bus because the impedance between DC and each inverter output is just the impedance of the output chokes. Also, on the input side, input current sharing is determined only by making the temperature of the two rectifiers similar and by ensuring that both rectifiers see the same impedance to the line power supply.

To use the remote mounted control master pod, all modules in the system must be slaves. This acts as a master control unit and connects to the system as shown.

The remote mounted control master pod allows the user to place all control circuitry in one low voltage cabinet and permits up to a maximum of 10 Unidrive SPMD modules to be connected in parallel.

Parallel control connections

Figure 4-8 Parallel control connections



*Only supplied with slave drive.

NOTE

The parallel cable should be routed according to the rules shown in Figure 6-25 *Sensitive signal circuit clearance* on page 84 for the control cable.

NOTE


The screw locks on the parallel cable must be fully tightened.

5 Mechanical Installation

This chapter describes all the mechanical details required to install the drive. The drive is intended to be installed in an enclosure. Key features of this chapter include:


- Surface and through-panel mounting
- Remote mounting of control master pod
- Enclosure sizing and layout
- Solutions Module installation
- Terminal location and torque settings
- Docking the Unidrive SPMD and SPMC/U

5.1 Safety information




WARNING

Follow the instructions
The mechanical and electrical installation instructions must be adhered to. Any questions or doubt should be referred to the supplier of the equipment. It is the responsibility of the owner or user to ensure that the installation of the drive and any external option unit, and the way in which they are operated and maintained, comply with the requirements of the Health and Safety at Work Act in the United Kingdom or applicable legislation and regulations and codes of practice in the country in which the equipment is used.



WARNING

Competence of the installer
The drive must be installed by professional assemblers who are familiar with the requirements for safety and EMC. The assembler is responsible for ensuring that the end product or system complies with all the relevant laws in the country where it is to be used.



WARNING

Lifting the drive
The weights of the drives are as follows:
SPMA 80kg (176.4lb)
SPMD 42kg (92.6lb)
SPMC/U20kg (44lb)
Use appropriate safeguards when lifting these models.

5.2 Planning the installation

The following considerations must be made when planning the installation:

5.2.1 Access

Access must be restricted to authorized personnel only. Safety regulations which apply at the place of use must be complied with.

The IP (Ingress Protection) rating of the drive is installation dependent. For further information, please refer to section 5.10 *Enclosing drive for high environmental protection* on page 56.

5.2.2 Environmental protection

The drive must be protected from:

- moisture, including dripping water or spraying water and condensation. An anti-condensation heater may be required, which must be switched off when the drive is running.
- contamination with electrically conductive material
- contamination with any form of dust which may restrict the fan, or impair airflow over various components
- temperature beyond the specified operating and storage ranges
- corrosive gasses

5.2.3 Cooling

The heat produced by the drive must be removed without its specified operating temperature being exceeded. Note that a sealed enclosure gives much reduced cooling compared with a ventilated one, and may need to be larger and/or use internal air circulating fans.

For further information, please refer to section 5.8.4 *Enclosure sizing* on page 51.

5.2.4 Electrical safety

The installation must be safe under normal and fault conditions. Electrical installation instructions are given in Chapter 6 *Electrical Installation* on page 64.

5.2.5 Fire protection

The drive enclosure is not classified as a fire enclosure. A separate fire enclosure must be provided.

5.2.6 Electromagnetic compatibility

Variable speed drives are powerful electronic circuits which can cause electromagnetic interference if not installed correctly with careful attention to the layout of the wiring.


Some simple routine precautions can prevent disturbance to typical industrial control equipment.

If it is necessary to meet strict emission limits, or if it is known that electromagnetically sensitive equipment is located nearby, then full precautions must be observed. In-built into the drive, is an internal EMC filter, which reduces emissions under certain conditions. If these conditions are exceeded, then the use of an external EMC filter may be required at the drive inputs, which must be located very close to the drives. Space must be made available for the filters and allowance made for carefully segregated wiring. Both levels of precautions are covered in section 6.13 *EMC (Electromagnetic compatibility)* on page 79.

5.2.7 Hazardous areas


The drive must not be located in a classified hazardous area unless it is installed in an approved enclosure and the installation is certified.

5.3 Terminal cover removal



WARNING

Isolation device
The AC supply must be disconnected from the drive using an approved isolation device before any cover is removed from the drive or before any servicing work is performed.



WARNING

Stored charge
The drive contains capacitors that remain charged to a potentially lethal voltage after the AC supply has been disconnected. If the drive has been energized, the AC supply must be isolated at least ten minutes before work may continue.

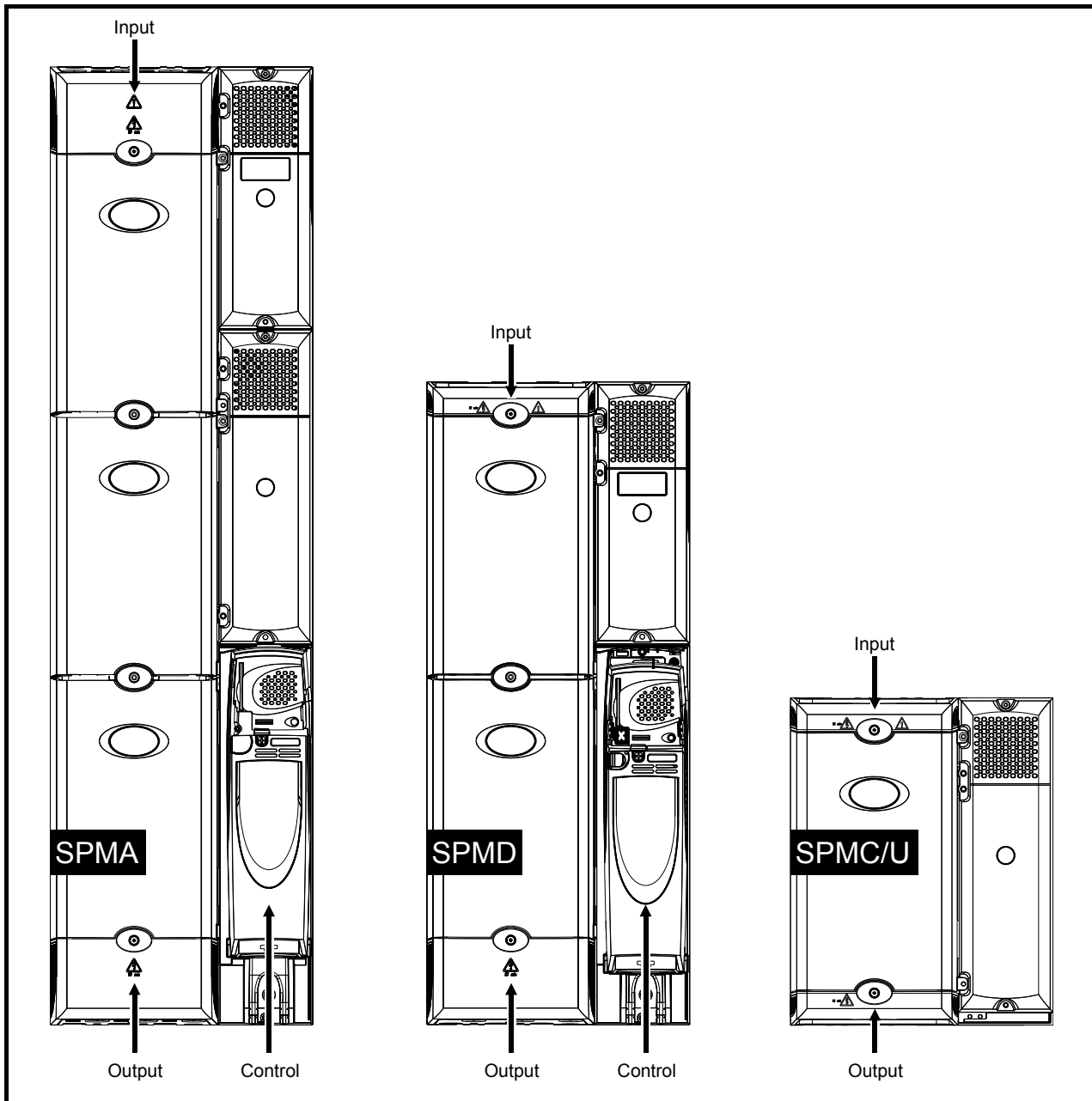
Normally, the capacitors are discharged by an internal resistor. Under certain, unusual fault conditions, it is possible that the capacitors may fail to discharge, or be prevented from being discharged by a voltage applied to the output terminals. If the drive has failed in a manner that causes the display to go blank immediately, it is possible the capacitors will not be discharged. In this case, consult Control Techniques or their authorized distributor.

5.3.1 Removing the terminal covers

Unidrive SPMA and SPMD are fitted with three terminal covers: Control, input and output terminal covers.

Unidrive SPM/C are fitted with two terminal covers: Input and output terminal covers. For the dual SPMC/U rectifier, the terminal covers and housing must be removed to gain access to all the terminals.

Figure 5-1 Location and identification of terminal covers



To remove a terminal cover, undo the screw and lift the terminal cover off as shown.

When replacing the terminal covers the screws should be tightened with a maximum torque of 1 N m (0.7 lb ft).

Figure 5-2 Removing the terminal covers (Uni SPMA illustrated)

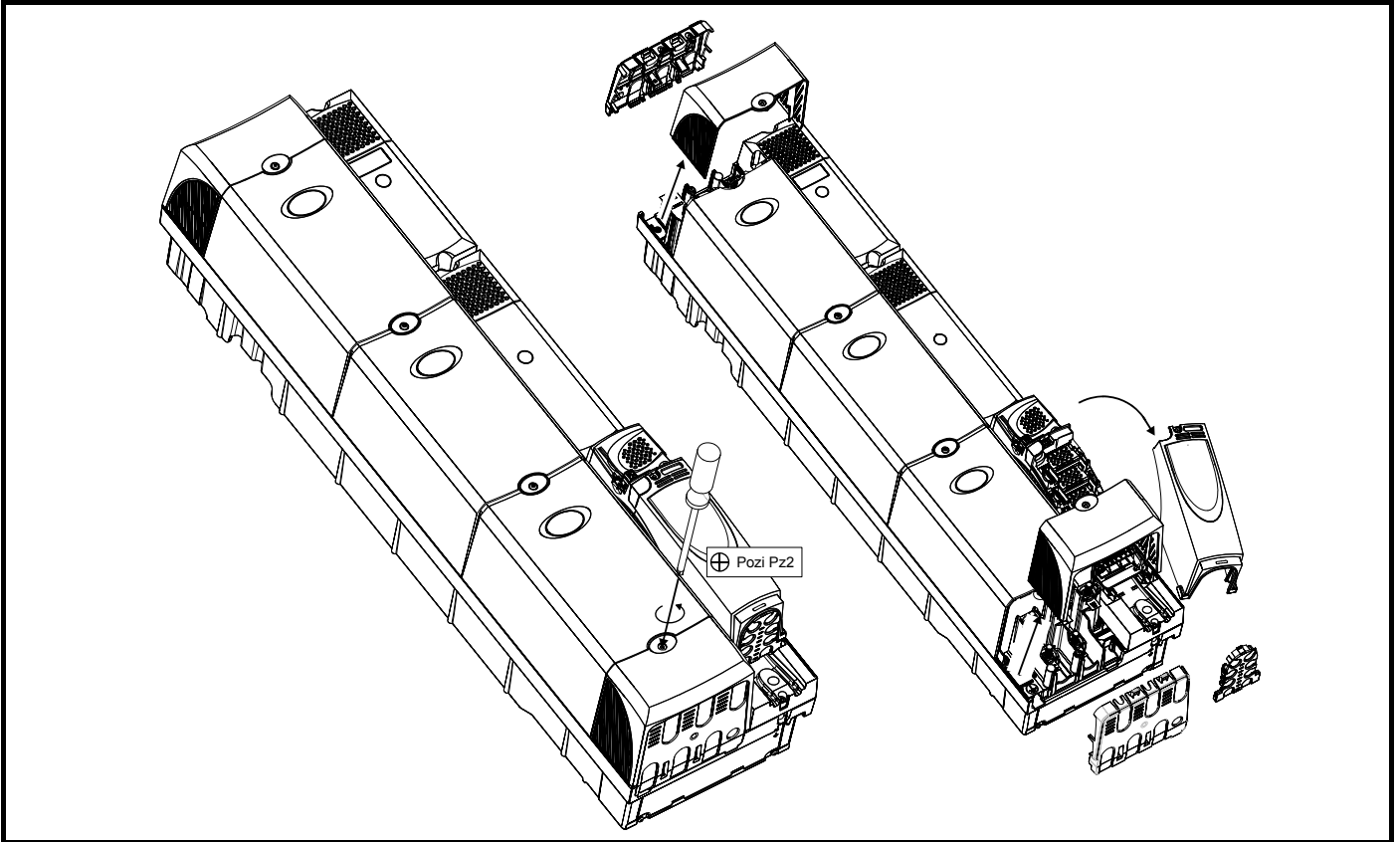
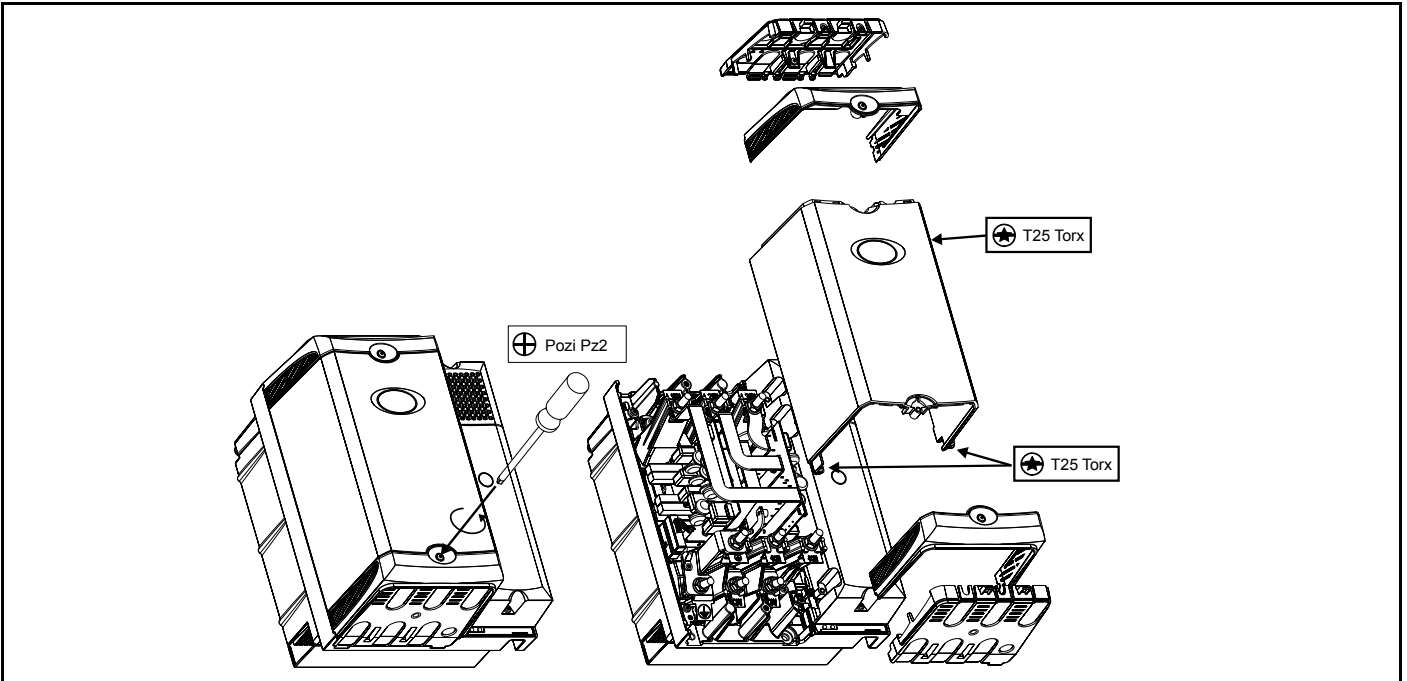


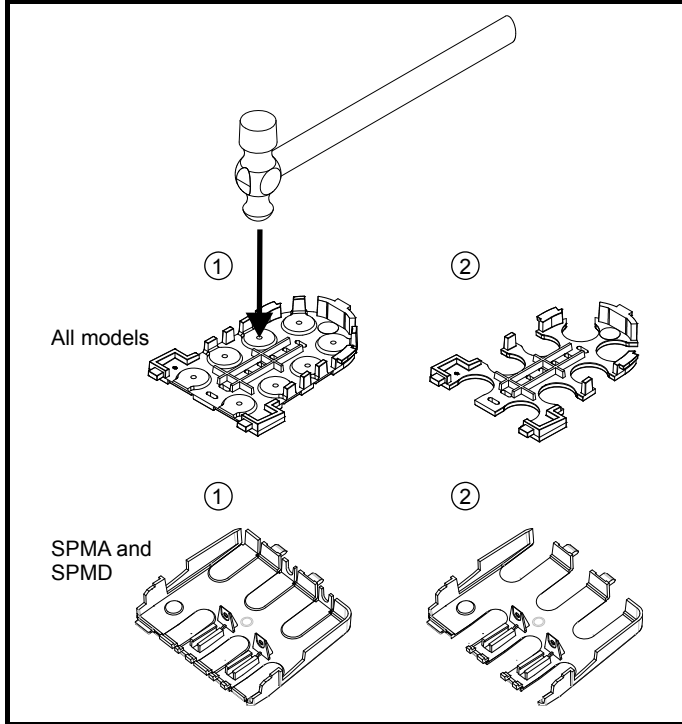
Figure 5-3 Removing the Unidrive SPMC/U dual rectifier terminal covers and housing



When removing the Unidrive SPMC/U dual rectifier centre housing, undo the 3 x T25 torx head screws as shown in Figure 5-3. When the housing is replaced, the screws should be tightened with a maximum torque of 2.5 N m (1.8 lb ft).

5.3.2 Removing the finger-guard and DC terminal cover break-outs

Figure 5-4 Removing the finger-guard break-outs



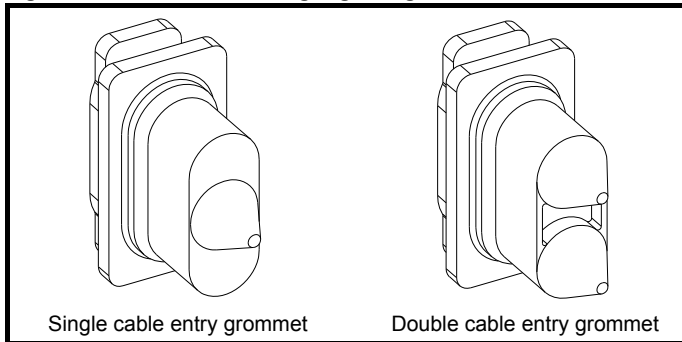
Place finger-guard on a flat solid surface and hit relevant break-outs with hammer as shown (1). Continue until all required break-outs are removed (2). Remove any flash / sharp edges once the break-outs are removed.

Grommets are available for the Unidrive SPM finger-guards. Two versions are available allowing for either single or double cable entries.

NOTE


These grommets are required to meet IP20 when installed in an open environment.

Figure 5-5 Unidrive SPM finger-guard grommets



The grommets are available as a kit of four grommets under the following part numbers:

- 9500-0074 Kit of four single entry grommets
- 9500-0075 Kit of four double entry grommets



The drive must not be run without the finger guards and grommets installed because in the event of a catastrophic failure, sparks may be emitted.

WARNING

NOTE

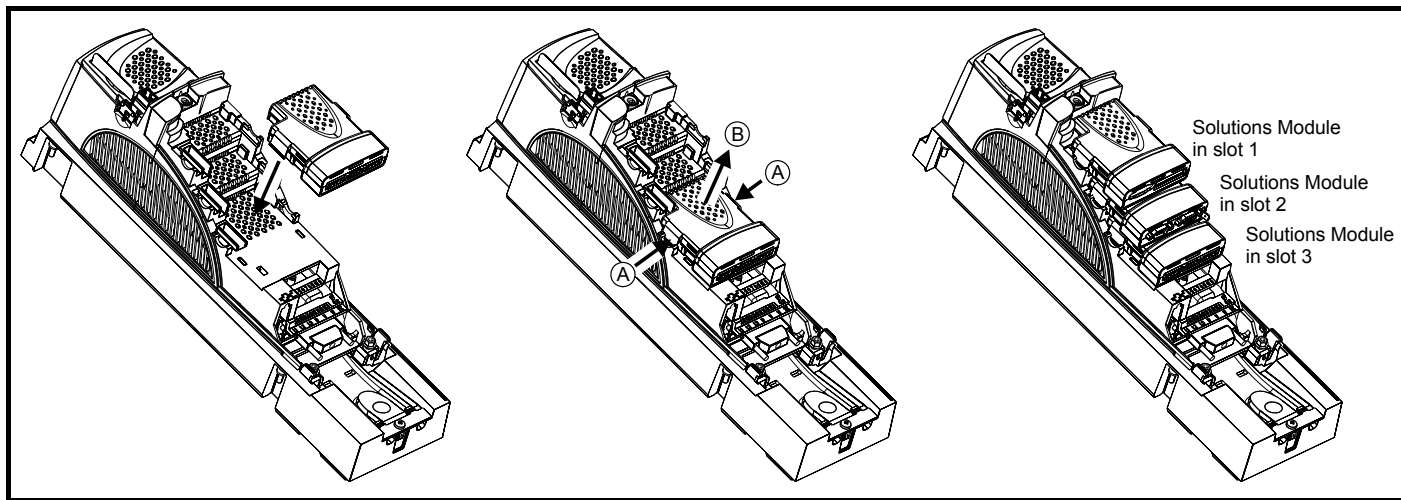
The finger guards and grommets must be installed correctly to meet UL.

5.4 Solutions Module installation/removal



Power down the drive before installing / removing the Solutions Module.

Figure 5-6 Installation and removal of a Solutions Module



To install the Solutions Module, press down in the direction shown above until it clicks into place.

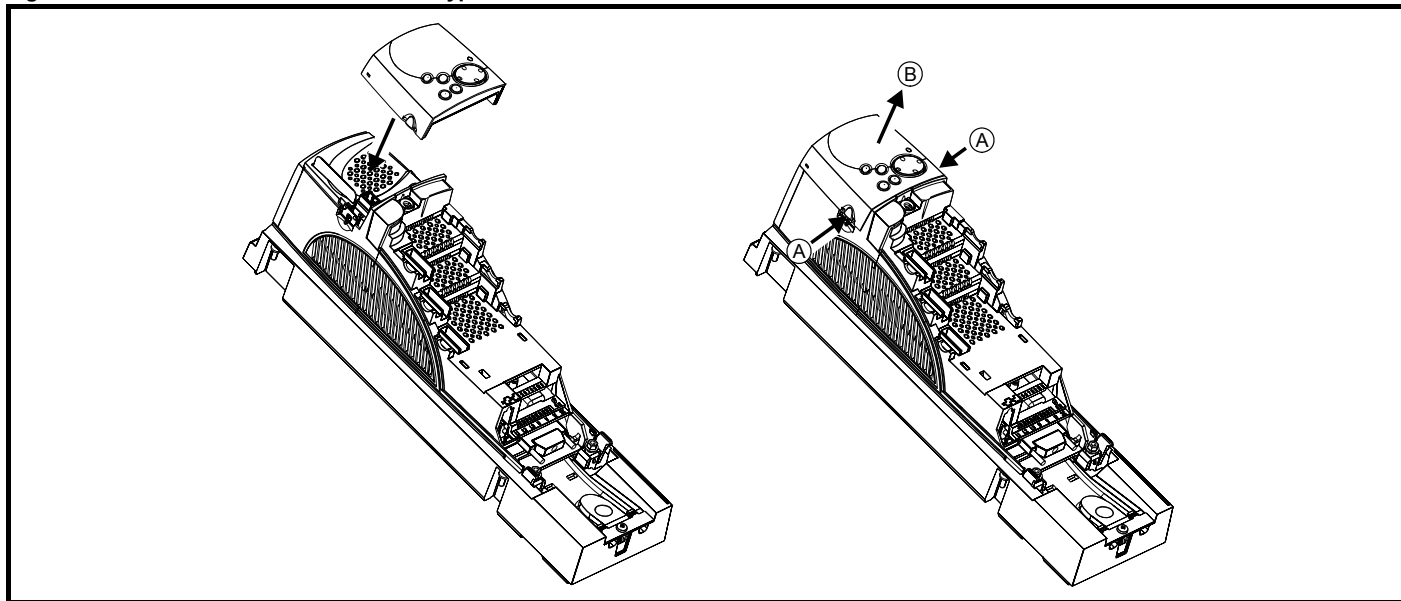
To remove the Solutions Module, press inwards at the points shown (A) and pull in the direction shown (B).

The drive has the facility for all three Solutions Module slots to be used at the same time, as illustrated.

NOTE

It is recommended that the Solutions Module slots are used in the following order: slot 3, slot 2 and slot 1.

Figure 5-7 Installation and removal of a keypad



To install, align the keypad and press gently in the direction shown until it clicks into position.

To remove, while pressing the tabs inwards (A), gently lift the keypad in the direction indicated (B).

NOTE

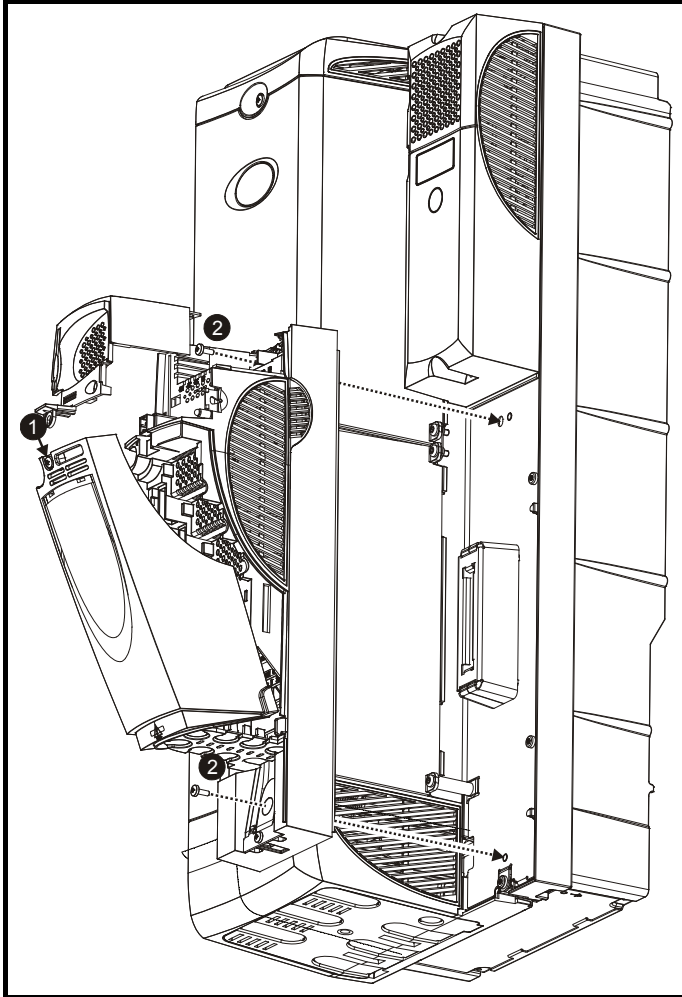
The keypad can be installed / removed while the drive is powered up and running a motor, providing that the drive is not operating in keypad mode.

5.5 Mounting of control master/slave pod

5.5.1 Mounting the control master/slave pod on the drive

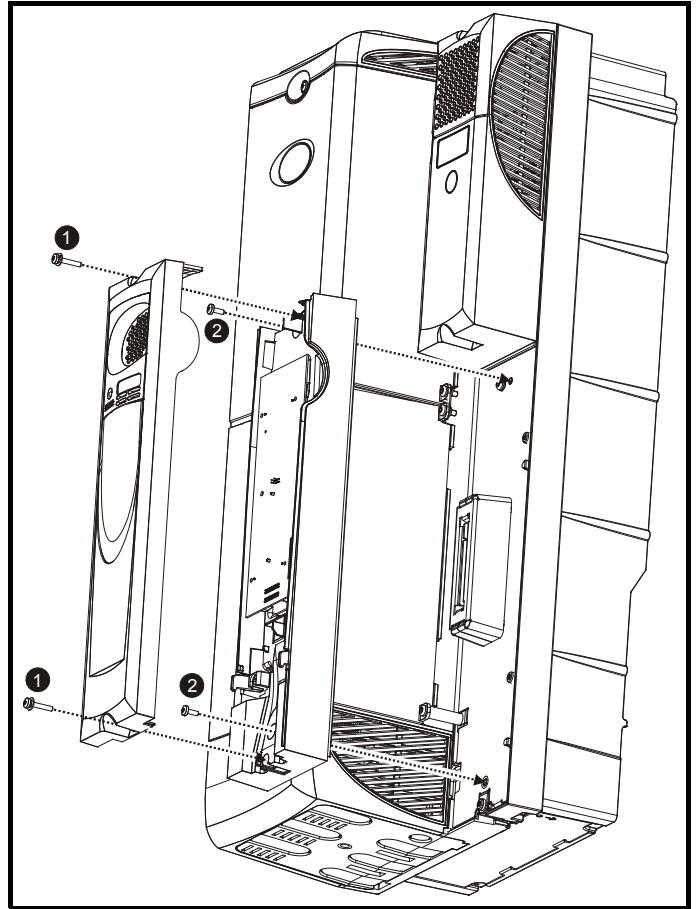
For control master/slave pod paralleling connections, refer to section *Parallel control connections* on page 32.

Figure 5-8 Mounting the control master pod on the drive



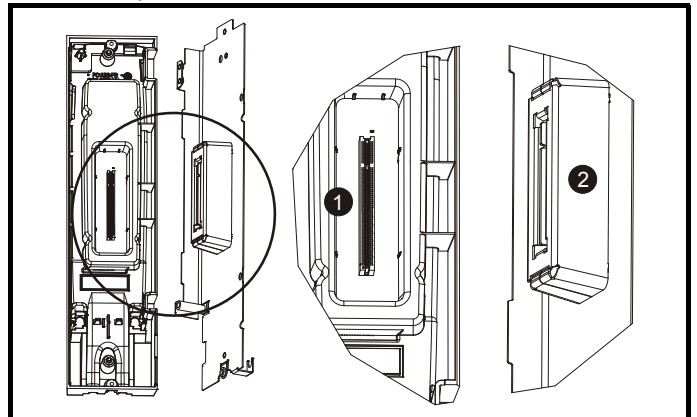
1. In order to expose the top mounting hole, the terminal covers need to be removed. This is done by undoing the terminal cover screw highlighted and then removing the two plastic covers.
2. Care must be taken when installing master control pod. Refer to Figure 5-10. Use the 2 x M6 screws to mount the control master pod to the drive in the position shown.
3. The terminal covers can then be re-installed.

Figure 5-9 Mounting the control slave pod on the drive



1. In order to expose the mounting holes, remove the control slave pod cover. This is done by undoing the screws highlighted and pulling the cover off.
2. Care must be taken when installing control slave pod. Refer to Figure 5-10. Use the 2 x M6 screws to mount the control slave pod to the drive in the position shown.
3. The cover can then be re-installed.

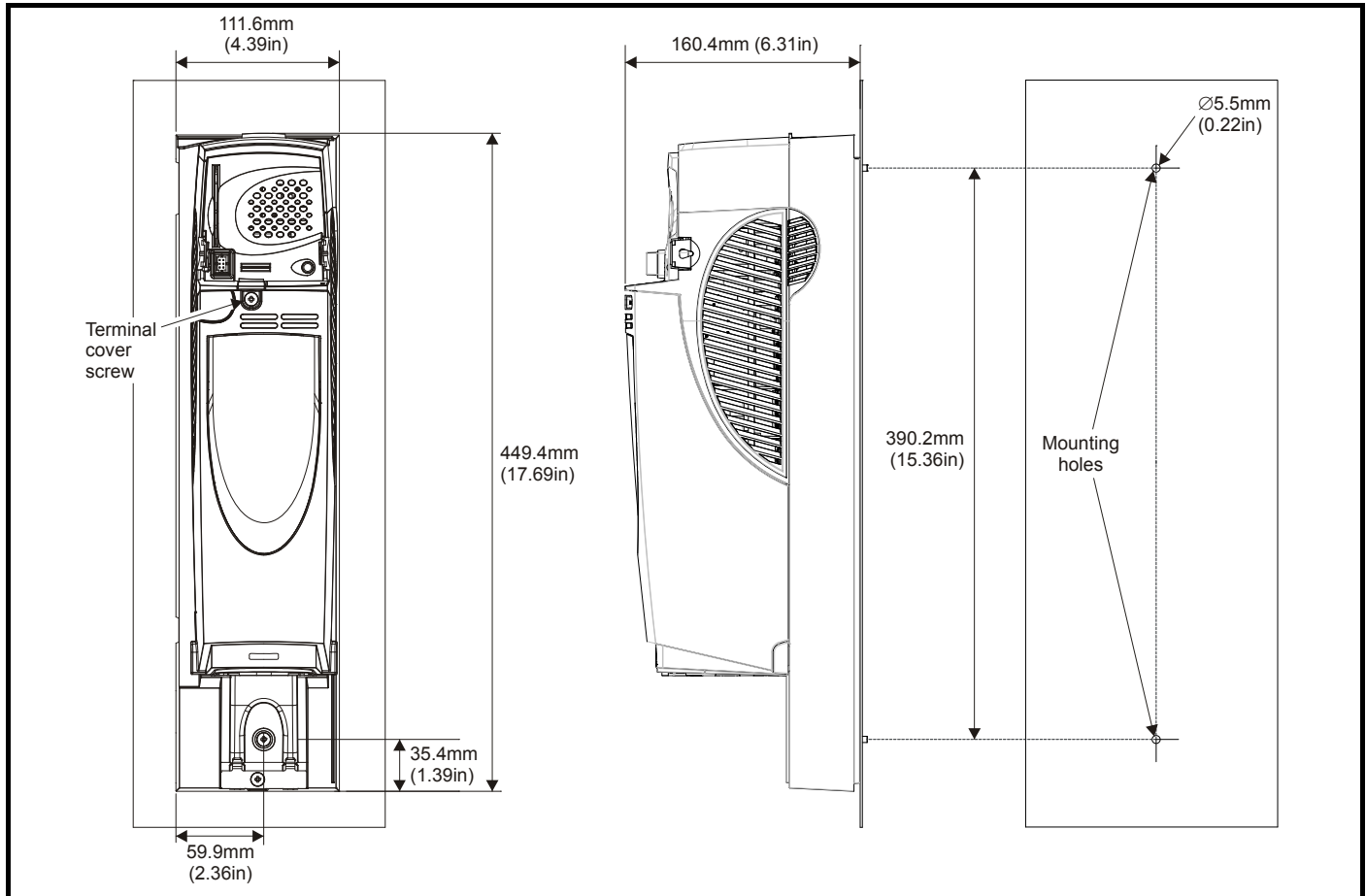
Figure 5-10 Control master/slave pod and power module base plate connectors



Ensure that the connector on the back of the control master/slave pod (1) is securely fitted to the power module metal base plate connector (2).

5.5.2 Remote mounting control master pod

Figure 5-11 Control master pod dimensions



The control master pod can be mounted remotely.



In order to meet IP20, the control master pod should be mounted to a solid surface to restrict access to the back of the module.

CAUTION

In order to expose the top mounting hole, the terminal covers need to be removed. This is done by undoing the terminal cover screw highlighted in Figure 5-11, and then removing the two plastic covers.

Use 2 x M6 screws to mount the control master pod to pre-drilled holes using the dimensions shown in Figure 5-11.

NOTE

The parallel cable for the control master pod is 2m long, as such it should be mounted close to the appropriate power module.

5.6 Docking a Unidrive SPMC/U to an SPMD

Docking a Unidrive SPMC/U to an SPMD allows the user to create an AC input/AC output drive. The advantages of docking are:

- Optimization of enclosure layout
- Reduced cabling

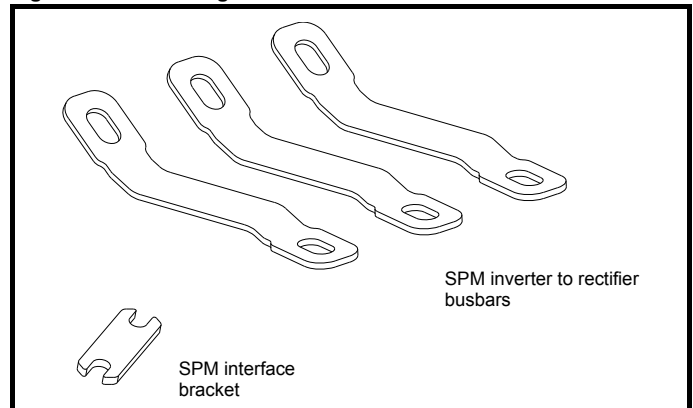
Docking results in a reduction of heatsink air flow which has an effect on the drive rating. Refer to section 14.1.1 *Power and current ratings (Derating for switching frequency and temperature)* on page 263.

5.6.1 Installing the docking kit

When mounting an SPMD and SPMC/U in a vertical plane, as shown in Figure 5-17 on page 43 and Figure 5-21 on page 46, the following

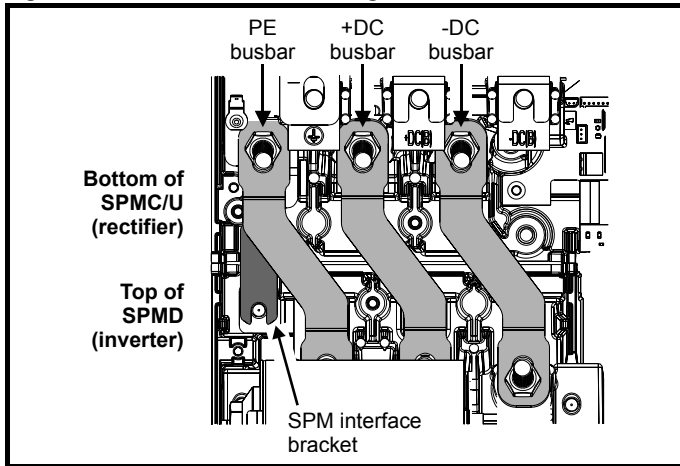
docking kit (3470-0012) can be used to electrically connect the two modules together.

Figure 5-12 Docking kit



The SPM interface bracket should be connected first, followed by the SPM inverter to rectifier busbars, to the appropriate terminals as shown in Figure 5-13.

Figure 5-13 Location of the docking kit when installed



NOTE

A current derating must be applied to the Unidrive SPMD1404 when docked with the Unidrive SPMC/U. Details can be found in section 14.1.1 *Power and current ratings (Derating for switching frequency and temperature)* on page 263.

5.7 Mounting methods

Unidrive SPMA, SPMD and SPMC can be either surface or through-panel mounted using the appropriate brackets.

Surface mounting is where the drive is simply secured to the enclosure wall/backplate.

Through-panel mounting is where the drive is secured with the heatsink protruding through the enclosure panel to the external environment. This has the effect of reducing the temperature within the enclosure.

The following drawings show the dimensions of the drive and mounting holes for each method to allow a back plate to be prepared.

5.7.1 Surface mounting



Lifting the drive

The weights of the drives are as follows:

SPMA 80kg (176.4lb)

SPMD 42kg (92.6lb)

SPMC/U20kg (44lb)

Use appropriate safeguards when lifting these models.

Figure 5-14 Surface mounting the Unidrive SPMA

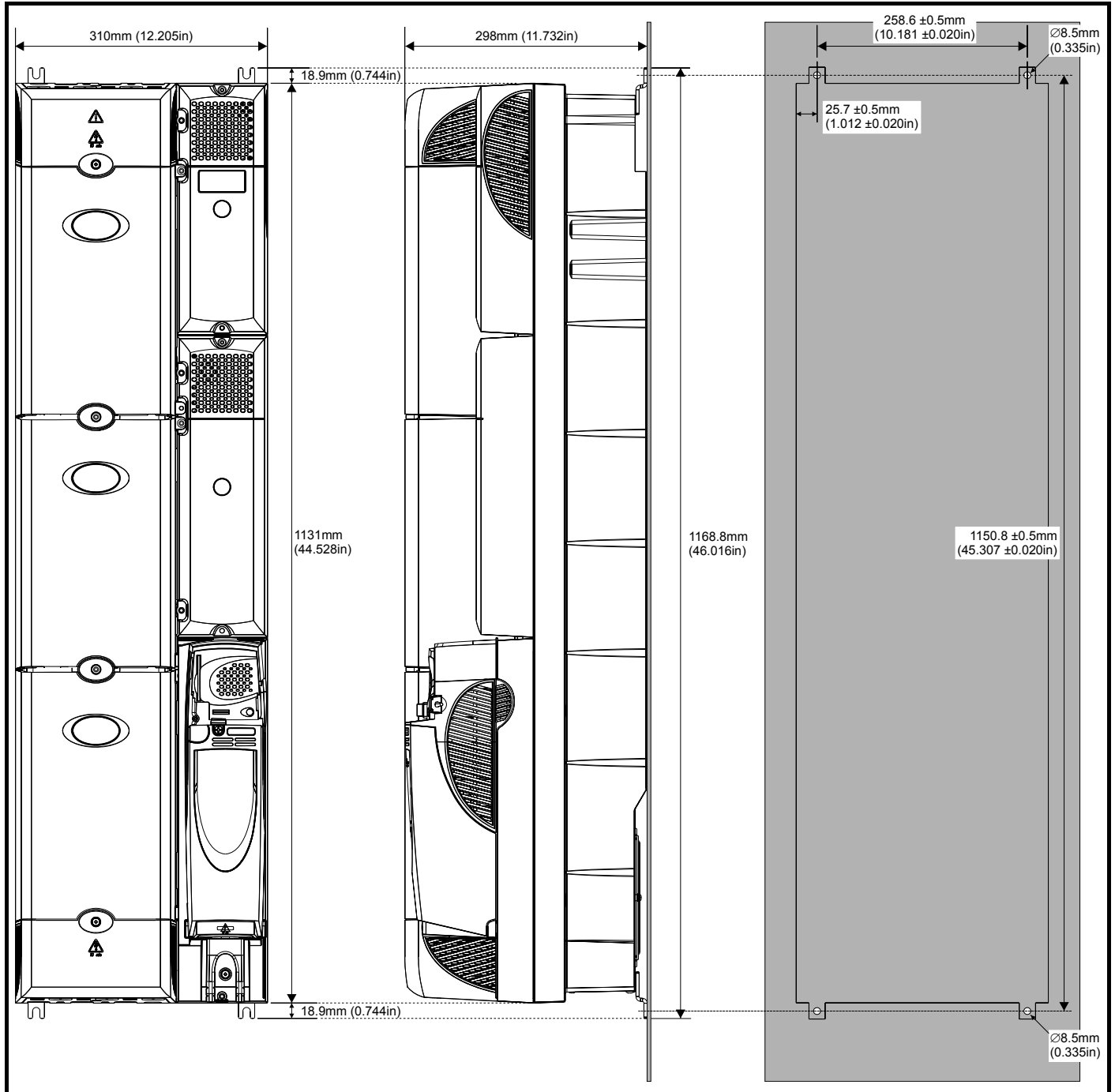


Figure 5-15 Surface mounting the Unidrive SPMD

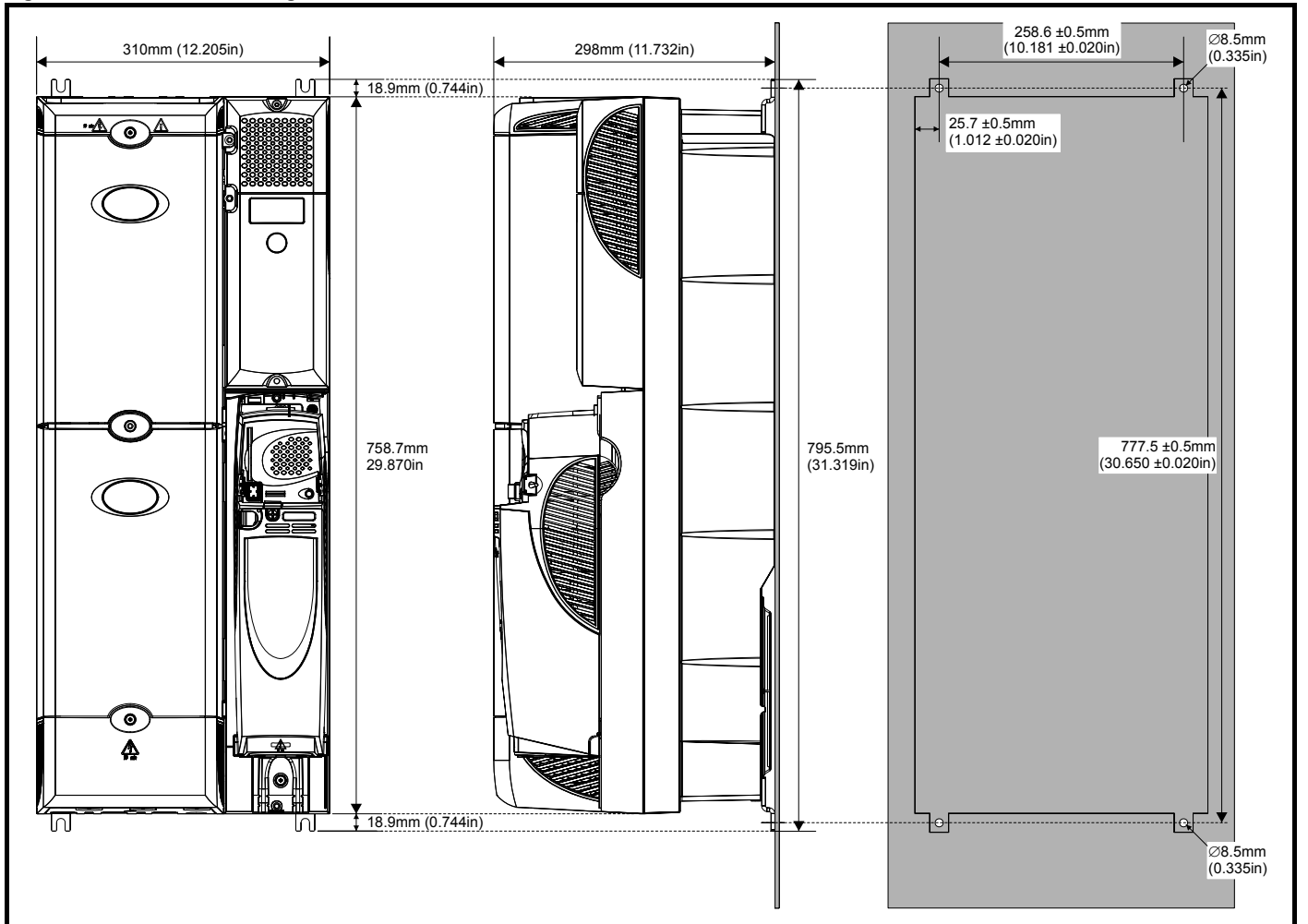


Figure 5-16 Surface mounting the Unidrive SPMC/U (rectifier)

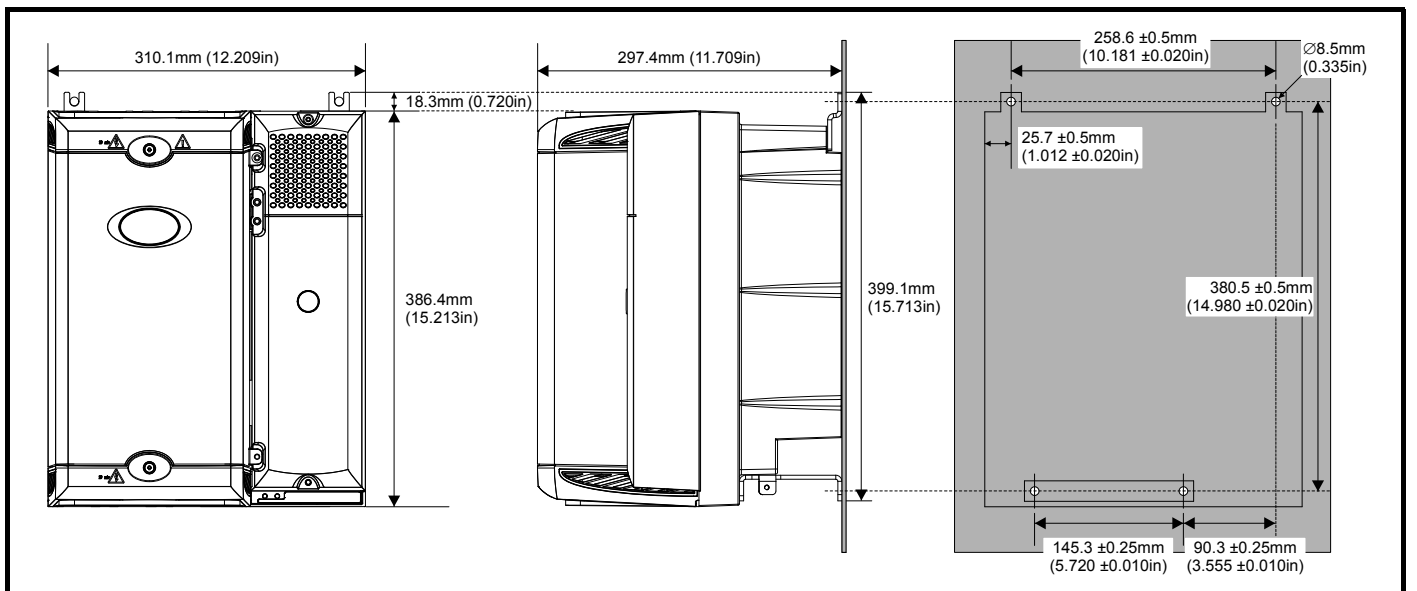
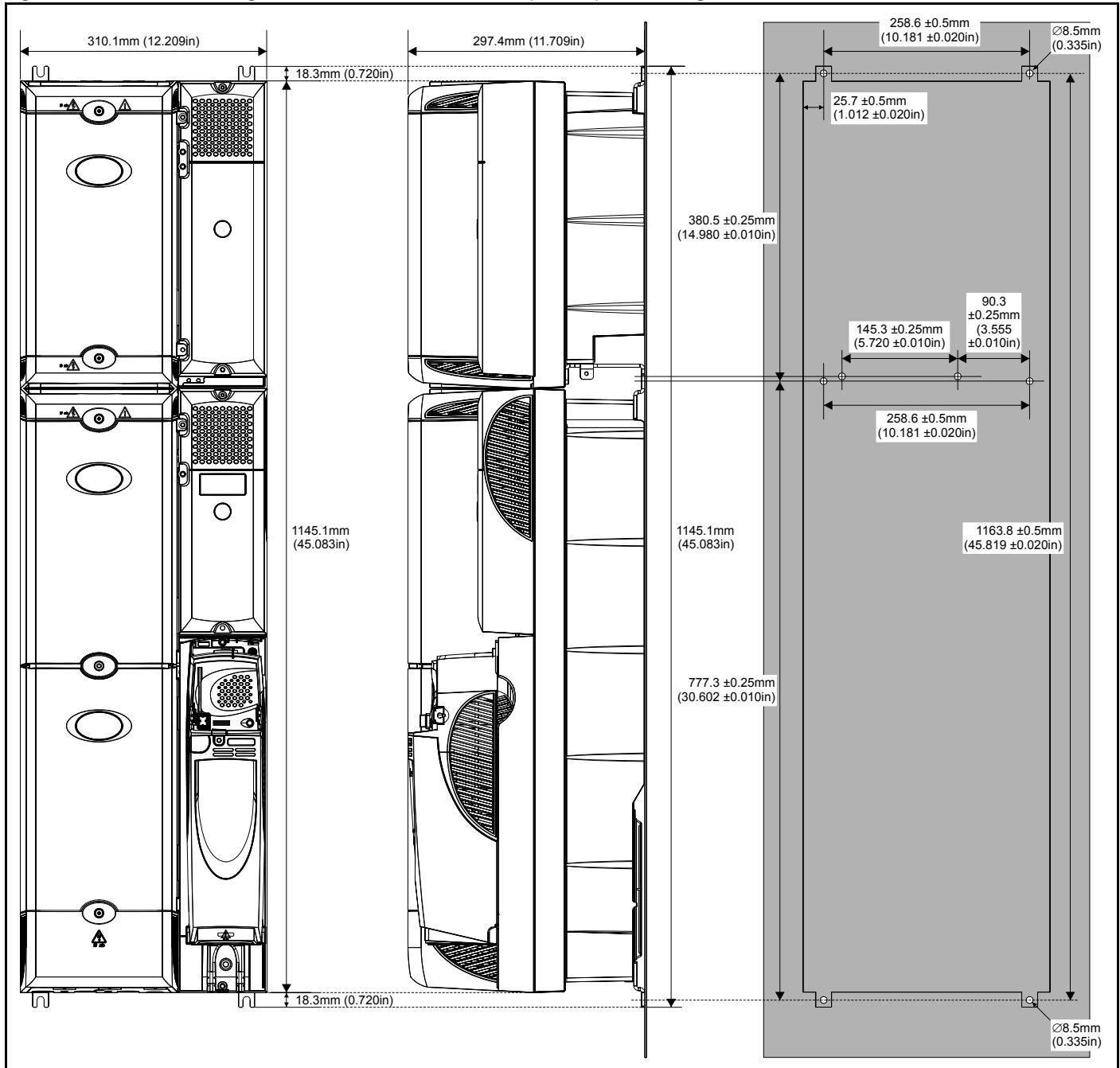


Figure 5-17 Surface mounting the Unidrive SPMD with SPMC/U (rectifier) and docking kit



NOTE

A current derating must be applied to the Unidrive SPMD1404 when docked with the Unidrive SPMC/U. Details can be found in section 14.1.1 Power and current ratings (Derating for switching frequency and temperature) on page 263.

5.7.2 Through-panel mounting

Figure 5-18 Through-panel mounting the Unidrive SPMA

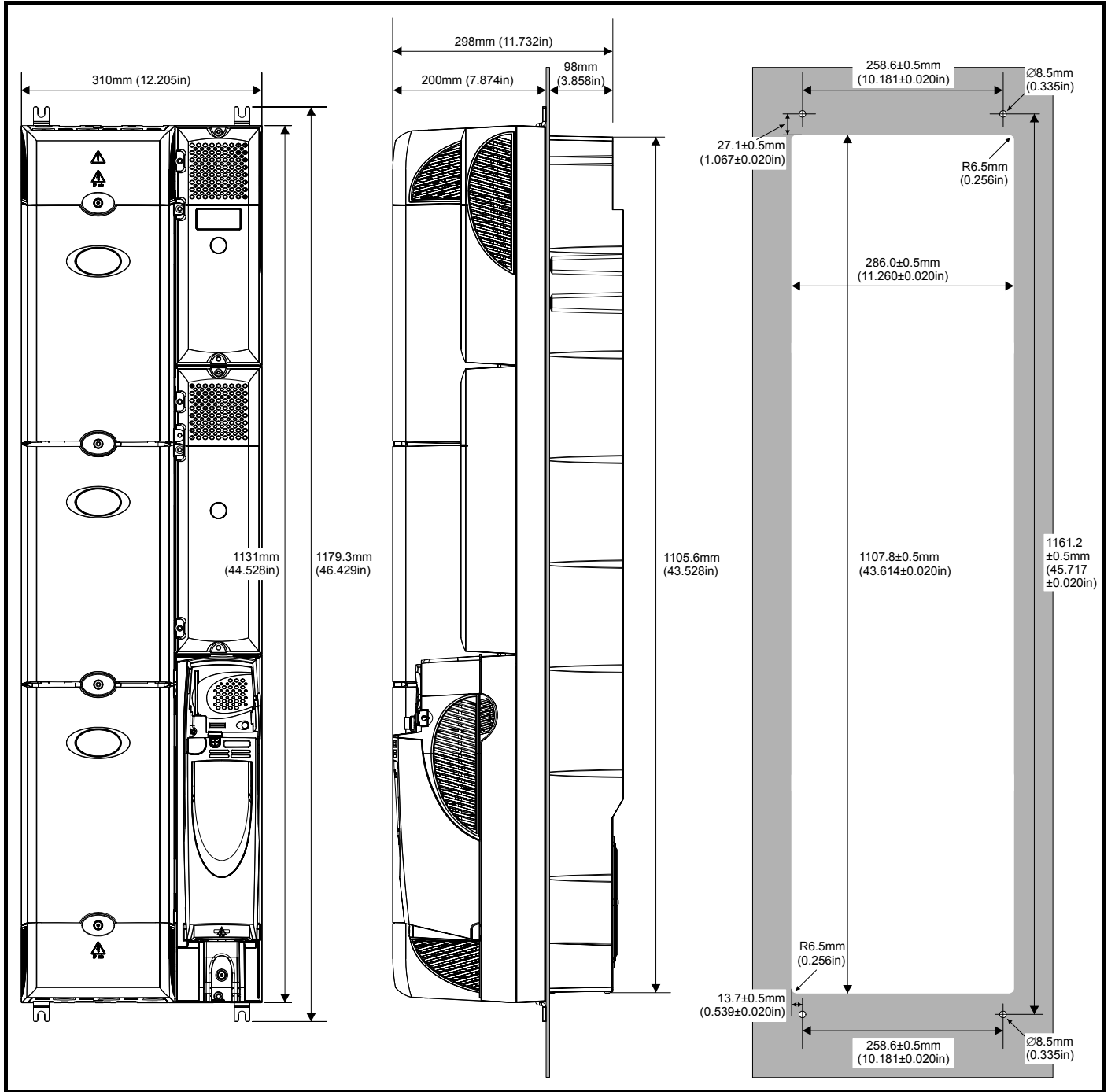


Figure 5-19 Through-panel mounting the Unidrive SPMD

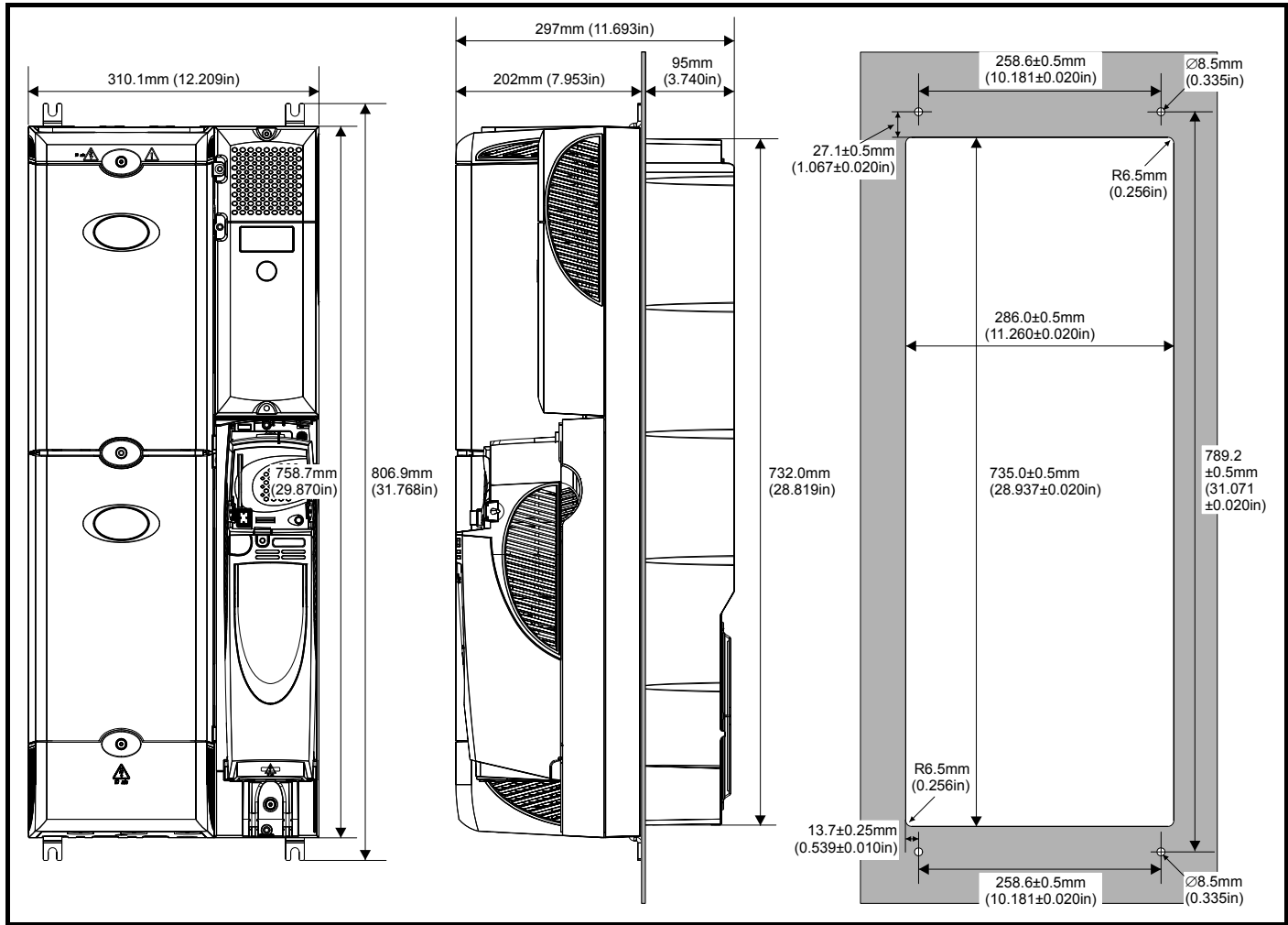


Figure 5-20 Through-panel mounting the Unidrive SPMC/U (rectifier)

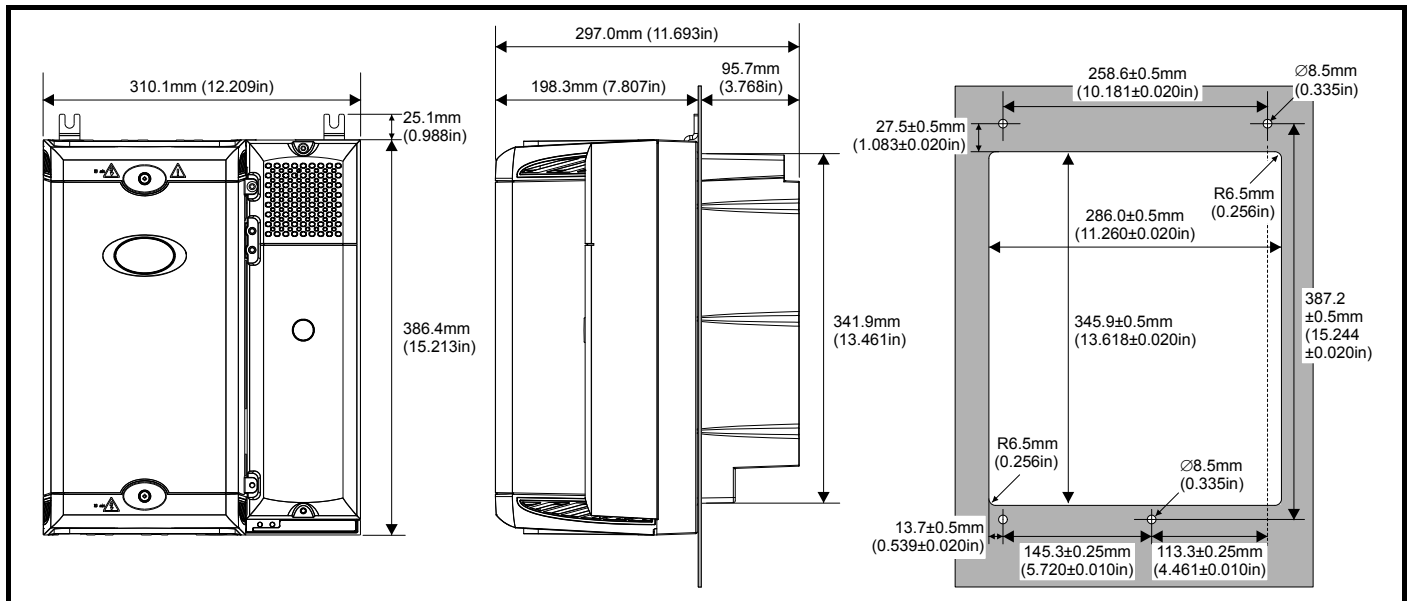
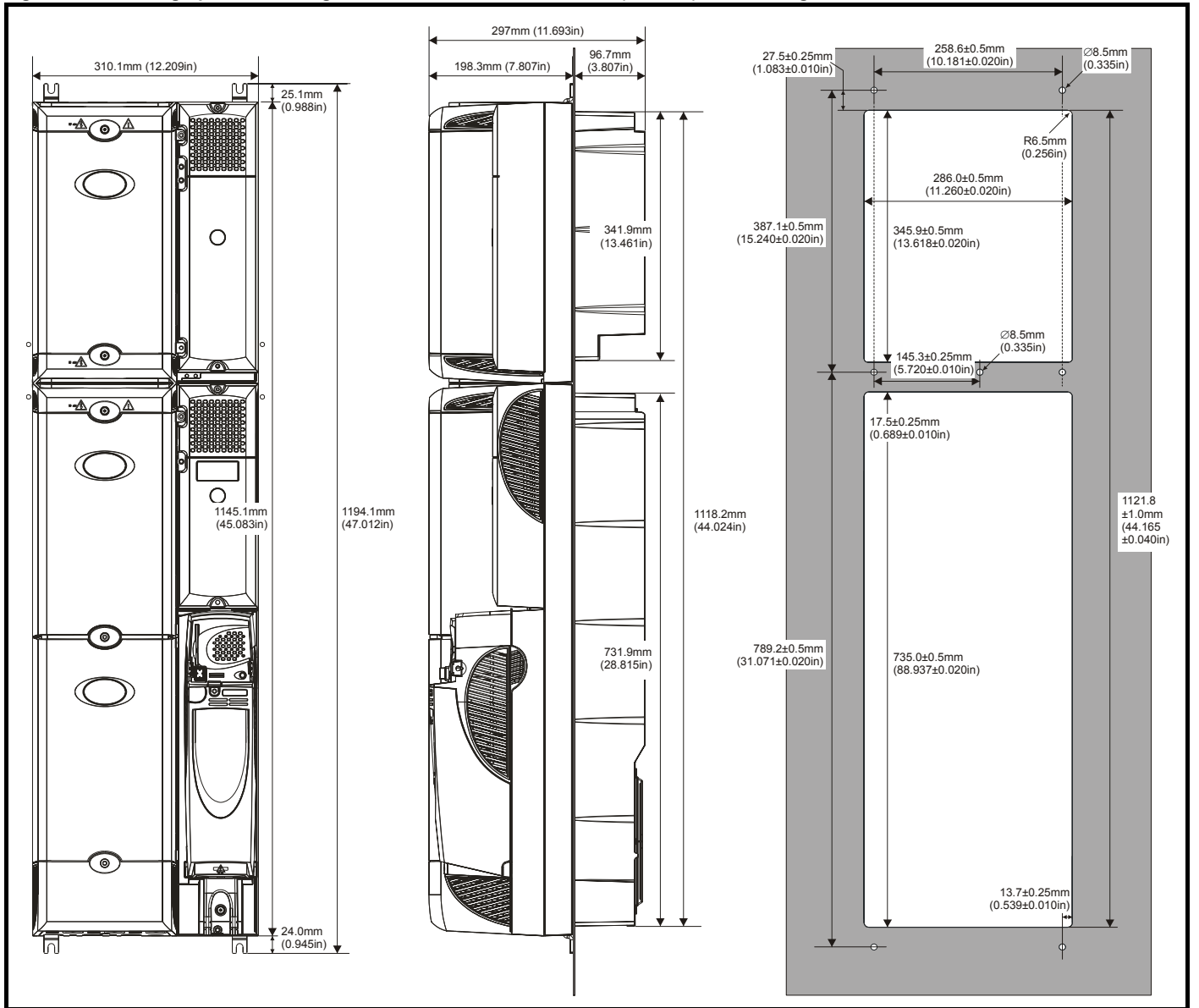


Figure 5-21 Through-panel mounting the Unidrive SPMD with SPMC/U (rectifier) and docking kit

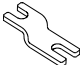



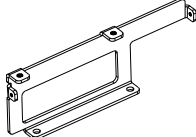


NOTE

A current derating must be applied to the Unidrive SPMD when docked with the Unidrive SPMC/U. Details can be found in section 14.1.1 *Power and current ratings (Derating for switching frequency and temperature)* on page 263.

5.7.3 Mounting brackets

Table 5-1 Mounting brackets

Model size	Surface	Through-panel	Hole size
SPMA	 x4		8.5mm (0.335in)
	 x2		
SPMD		 x4	8.5mm (0.335in)
SPMC /U		 x2	8.5mm (0.335in)
	 x1		

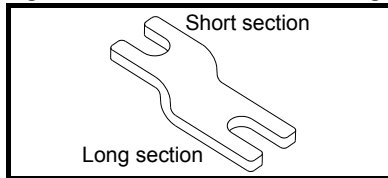
5.7.4 Installation of the Unidrive SPM mounting brackets

Common

The Unidrive SPM range use the same mounting brackets for surface and through-panel mounting.

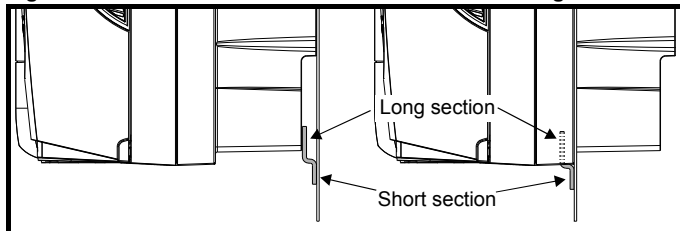
The mounting bracket has a long section and a short section.

Figure 5-22 Unidrive SPM mounting bracket



The mounting bracket must be installed in the correct orientation with the long section inserted into or attached to the drive and the short section is attached to the back plate. Figure 5-23 shows the orientation of the mounting bracket when the drive is surface and through-panel mounted.

Figure 5-23 Orientation of the Unidrive SPM mounting bracket



When through-panel mounted, the mounting brackets on the left hand side of the Unidrive SPMA and SPMD can be secured using the screws already located there. This only applies to the bottom of the Unidrive SPMC/U rectifier.

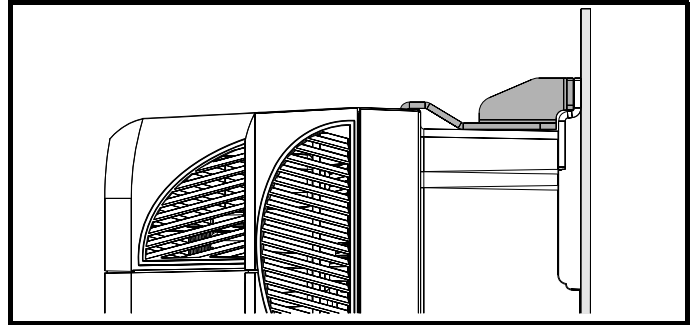
On the right hand side, the mounting brackets are just inserted into the slots in the chassis of the drive; no mounting screws are present here.

Drive specific brackets

Unidrive SPMA

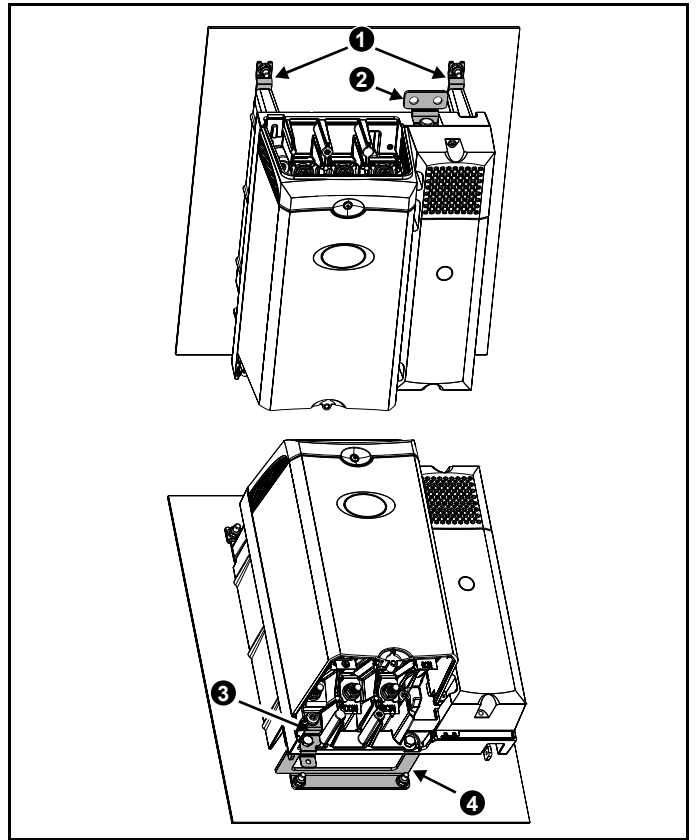
Unidrive SPMA also requires two top mounting brackets when the drive is surface mounted. The two brackets should be installed to the top of the drive as shown in Figure 5-24.

Figure 5-24 Location of top Unidrive SPMA surface mounting brackets



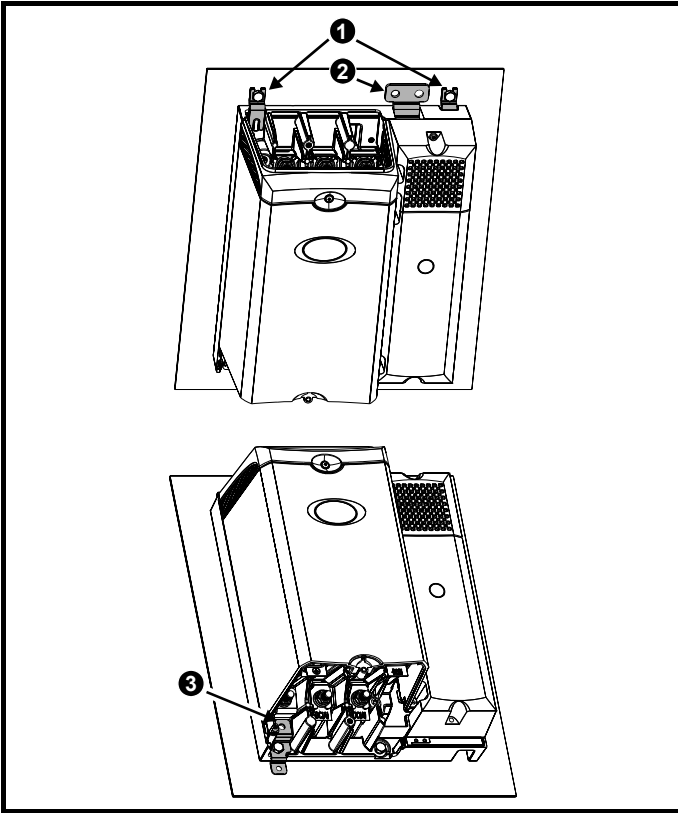
Unidrive SPMC and SPMU

Figure 5-25 Installation of the Unidrive SPMC/U surface mounting brackets



1. Common Unidrive SPM mounting bracket. Ensure short section attached to backplate
2. Unidrive SPMC/U supply ground bracket. M10x20 screw required to mount bracket, maximum length 40mm (1.575in) used with vibration resistant washer. Torque setting of 15 N m (11.1 lb.ft)
3. Unidrive SPMC/U motor ground bracket
4. Unidrive SPMC/U surface mounting bracket. M8 screws required to mount bracket, minimum length 20mm (0.787in) used with vibration resistant washer. Torque setting of 9 N m (6.6 lb.ft)

Figure 5-26 Installation of the Unidrive SPMC/U through panel mounting brackets



1. Common Unidrive SPM mounting bracket. Ensure short section attached to backplate
2. Unidrive SPMC/U supply ground bracket. M10x20 screw required to mount bracket, maximum length 40mm (1.575in) used with vibration resistant washer. Torque setting of 15 N m (11.1 lb.ft)
3. Unidrive SPMC/U motor ground bracket

5.8 Enclosure

5.8.1 Enclosure layout

Observe the clearances in Figure 5-27 taking into account any appropriate notes for other devices / auxiliary equipment when planning the installation. A Unidrive SPMA is shown, but the illustration also applies to a docked Unidrive SPMD and SPMC.

Figure 5-27 Enclosure layout

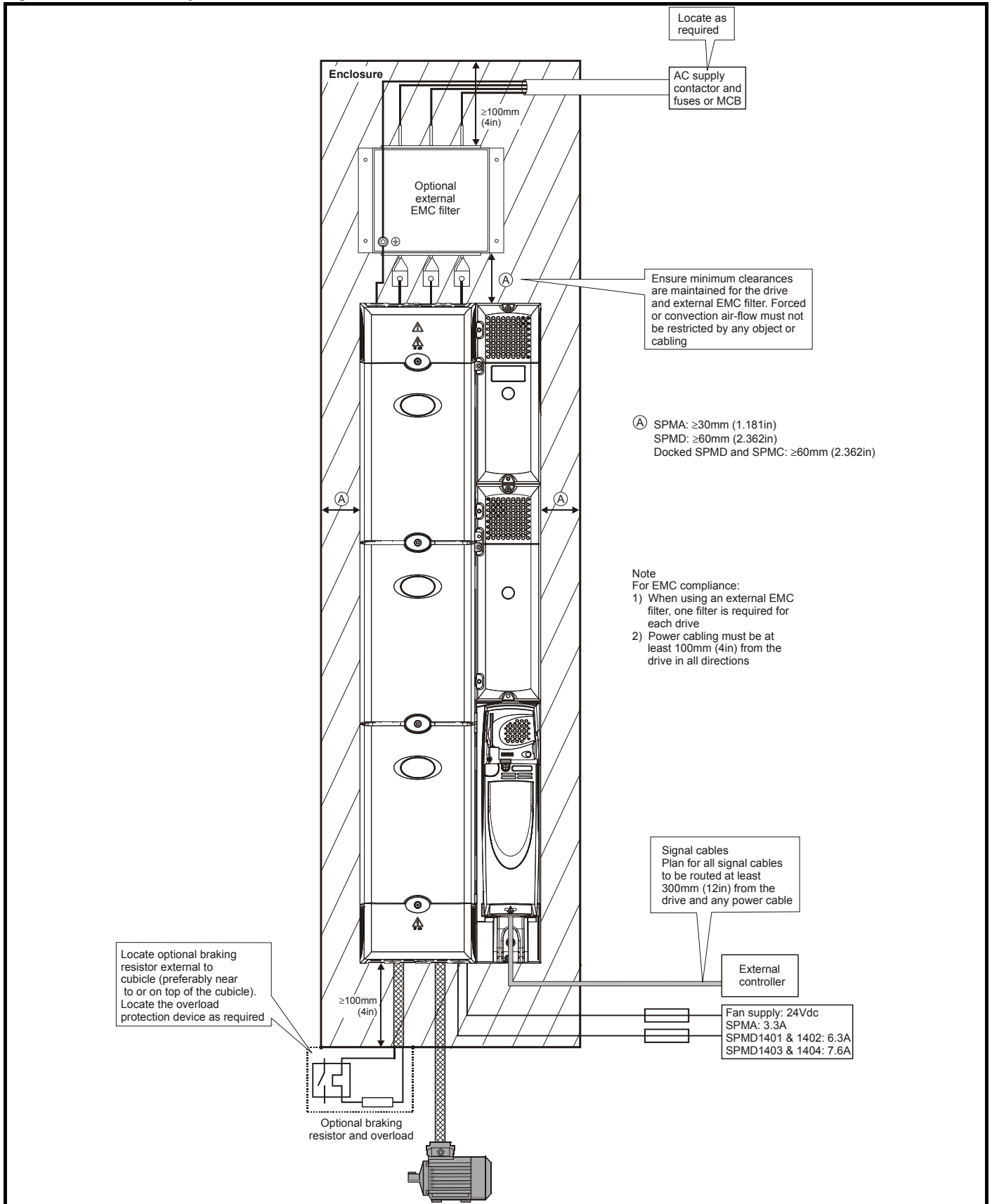
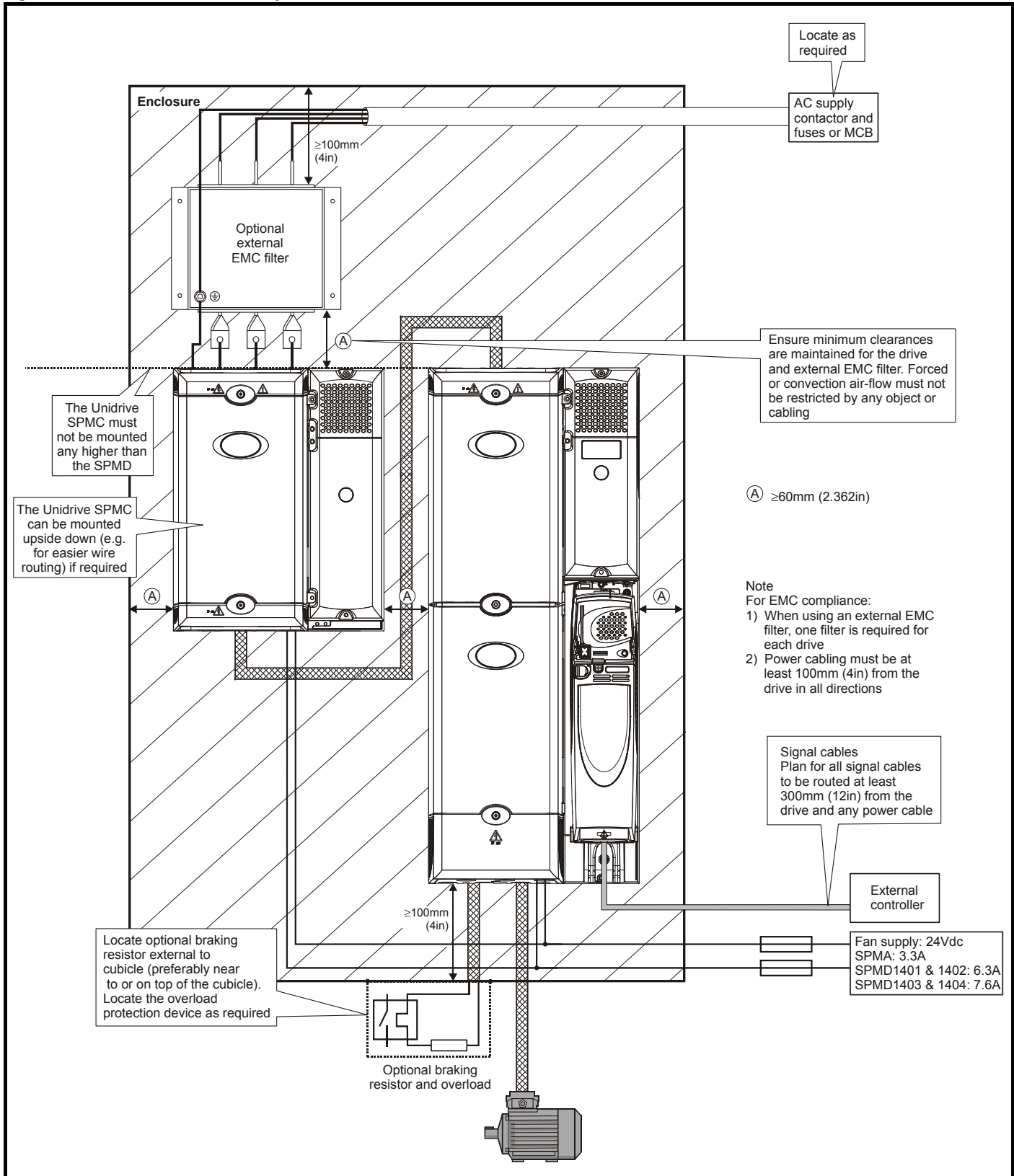


Figure 5-28 Alternative enclosure layout: Undocked Unidrive SPMD and SPMC



NOTE

The Unidrive SPMC must not be mounted any higher than the SPMD. This is to prevent the heated air expelled from the Unidrive SPMD being recirculated through the SPMC.

5.8.2 Enclosure ambient temperature

Drive derating is required for operation in high ambient temperatures

Totally enclosing or through panel mounting the drive in either a sealed cabinet (no airflow) or in a well ventilated cabinet makes a significant difference on drive cooling.

The chosen method affects the ambient temperature value (T_{rate}) which should be used for any necessary derating to ensure sufficient cooling for the whole of the drive.

The ambient temperature for the four different combinations is defined below:

- Totally enclosed with no air flow (<2 m/s) over the drive
 $T_{rate} = T_{int} + 5^{\circ}C$
- Totally enclosed with air flow (>2 m/s) over the drive
 $T_{rate} = T_{int}$
- Through panel mounted with no airflow (<2 m/s) over the drive
 $T_{rate} = \text{the greater of } T_{ext} + 5^{\circ}C, \text{ or } T_{int}$
- Through panel mounted with air flow (>2 m/s) over the drive
 $T_{rate} = \text{the greater of } T_{ext} \text{ or } T_{int}$

Where:

- T_{ext} = Temperature outside the cabinet
- T_{int} = Temperature inside the cabinet
- T_{rate} = Temperature used to select current rating from tables in *Chapter 14 Technical Data*.

5.8.3 Altitude derating

Multiply the maximum rated output current by the derate factor (Df) in Figure 5-29 and the ambient correction factor (Cf) in Figure 5-30.

$$\text{Rated output current} = Df \times Cf \times Oc$$

Figure 5-29 Altitude derate factor

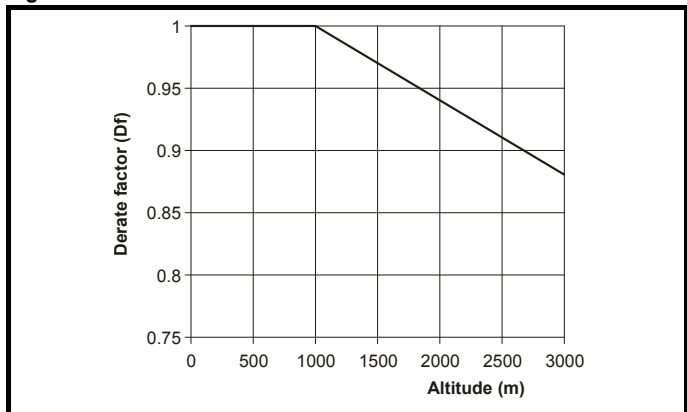
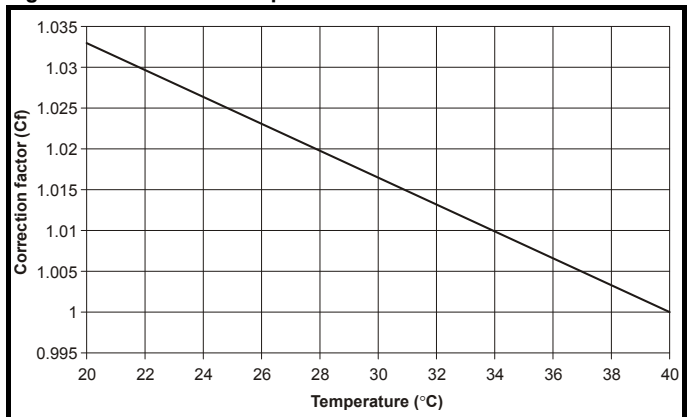


Figure 5-30 Ambient temperature correction factor



Note:

- The ambient temperature correction factor used is for altitude calculation only. If the ambient is less than 40°C the drive cannot be

over rated. The maximum permissible output currents should remain the same as those given at 40°C.

- If the drive is required to operate above 40°C the derates at 50°C should be applied. Refer to section 14.1.1 *Power and current ratings (Derating for switching frequency and temperature)* on page 263
- The same applies for altitude below 1000m. There should be no over rating at lower altitude

NOTE

For applications over 3000m, contact the supplier of the drive.

5.8.4 Enclosure sizing

This section looks at a method for cooling a medium power density enclosure. By running through a worked example it brings out the issues associated with cooling the drives when they are completely mounted inside an enclosure.

This example only considers one possible method of enclosing the drives and tries to highlight and solve thermal issues created by hot air recirculating inside an enclosure. Other methods of enclosure design are also possible, such as through panel mounting, which removes many of the issues discussed in this chapter. Refer to section 5.7.2 *Through-panel mounting* on page 44.

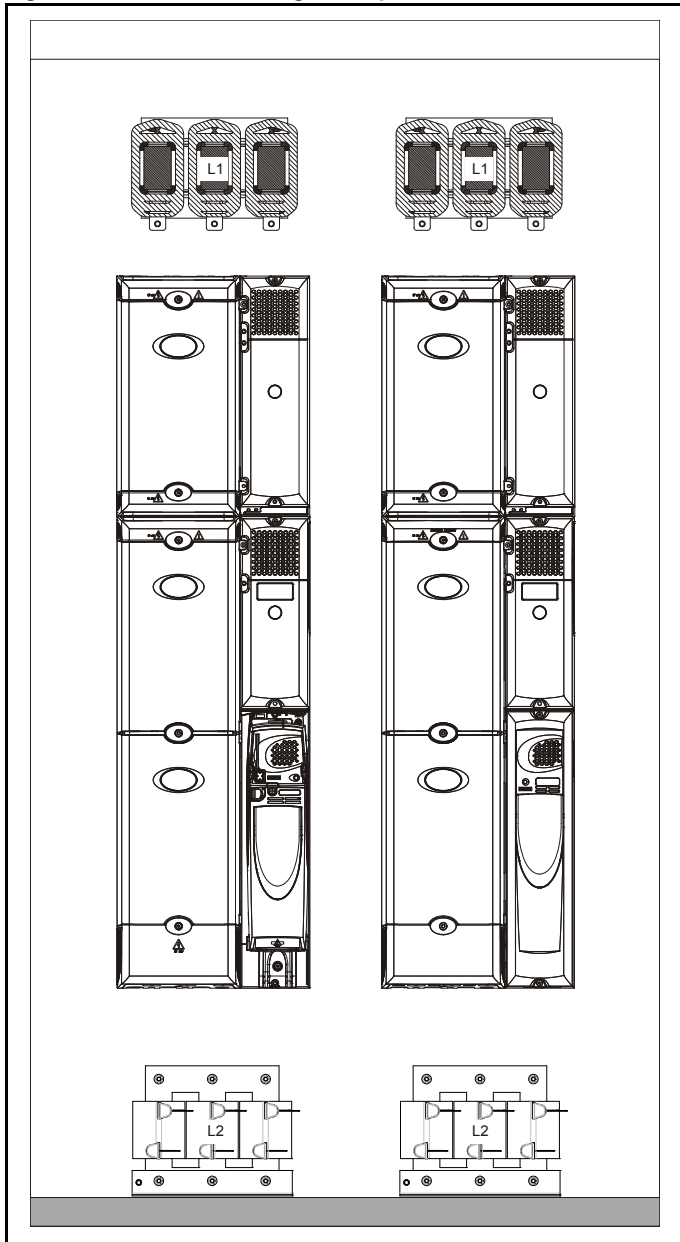
The enclosure design example will use the following conditions:

- Enclosure placed in a room with a 30°C ambient and an altitude <1000m
- Continuous output current requirement from the system = 650A

Parts used in system model:

- 1800mm (70.87in) x 800mm (31.5in) x 500mm (19.69in) enclosure with input and output ventilation
- 2 x SPMD1404
- 2 x docking SPMC1402
- 2 x input line reactors (L1)
- 2 x output sharing chokes (L2)

Figure 5-31 Enclosure design example

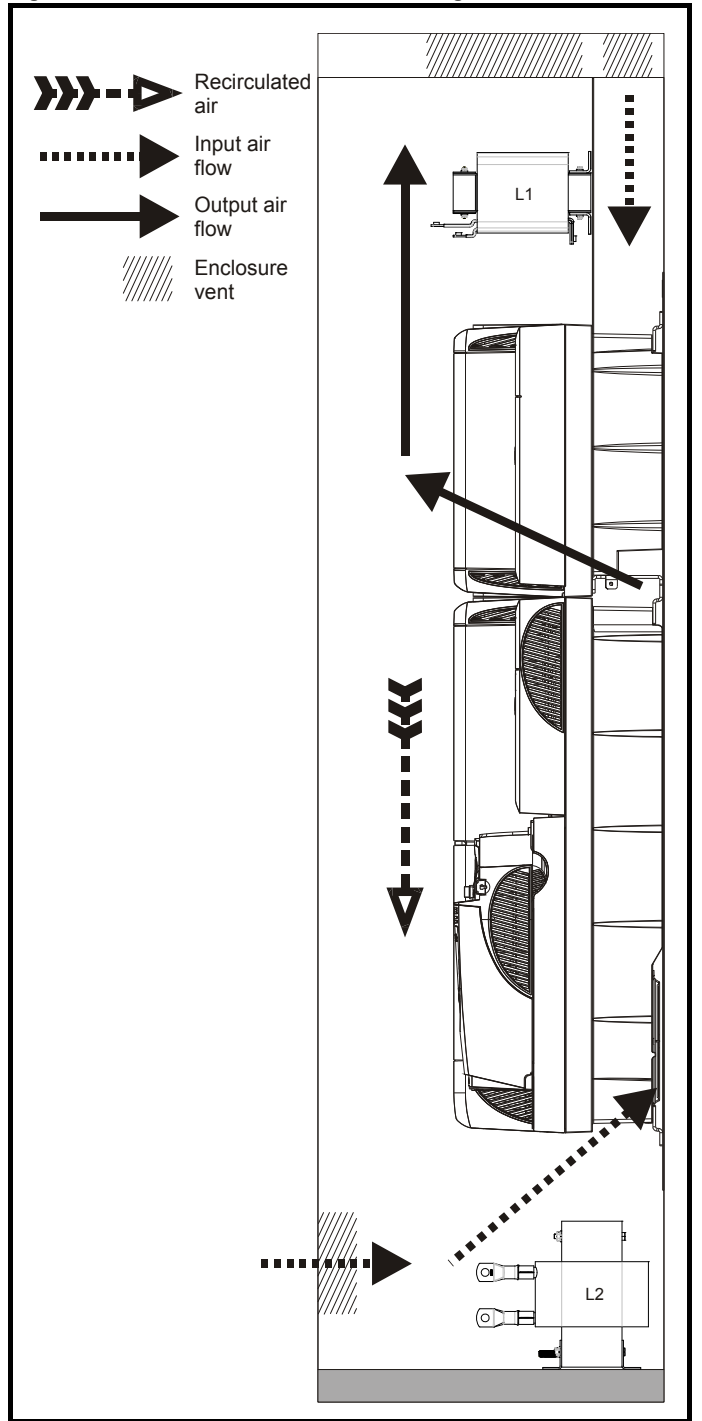


Drive selection

Select drives necessary to achieve desired output current based on altitude calculation and other drive derates (e.g. paralleling derates, switching frequency derates, ambient derate etc).

Enclosure design to prevent recirculation of hot air

Figure 5-32 Recommended enclosure design



For front view of enclosure, refer to Figure 5-31.

Spacing between units and sides of enclosure: >60mm

Calculation of temperature rise in enclosure

Inputs

Table 5-2 Example data

Output sharing choke loss under single unit (L2)	250W
Total loss of single drive (Uni SPMC + SPMD)	4290W
Number of drives in enclosure	2
Width of enclosure	0.8m
Depth of enclosure	0.5m
Open area of roof vent (outlet)	0.27m ³
Open area of inlet vent	0.15m ³
External ambient	30°C
Altitude derate factor (Cf x Df)	1

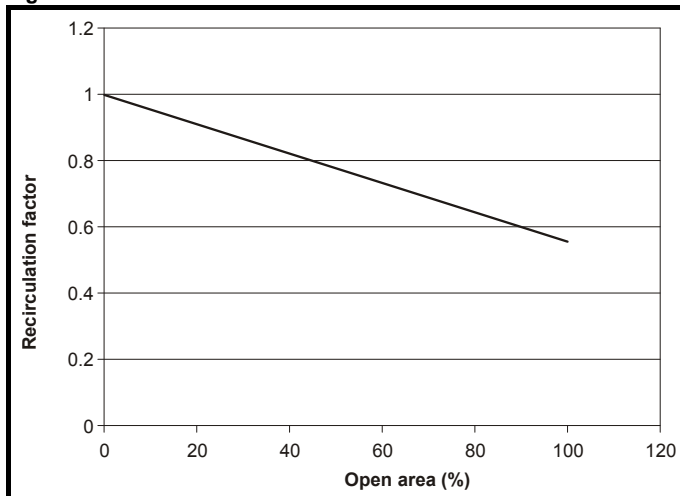
For this example it is assumed the drive is in an altitude below 1000m and the enclosure it is mounted in has input and output ventilation.

Calculate open area % of venting and recirculation factor

$$\begin{aligned} \text{Open area of venting \%} &= \frac{\text{Open area of roof} + \text{open area of inlet} \times 100}{2 \times \text{cubicle width} \times \text{cubicle depth}} \\ &= \frac{(0.27 + 0.15) \times 100}{(2 \times 0.8 \times 0.5)} \\ &= 52.5\% \end{aligned}$$

From Figure 5-33 the re-circulation factor = 0.76.

Figure 5-33 Recirculation factor



This is an approximation to the amount of air that is re-circulated within the enclosure due to inlet and outlet venting restrictions. The factor has a safety factor built in to it to ensure a safe result. The factor has been calculated using CFD software, testing the amount of heat flow back into the drive when different vent restrictions are given. The factor can also be applied to an SPMA and separated SPMD.

Calculate loss which affects the drive inlet air temperature

$$\begin{aligned} \text{Loss affecting drive temperature (Pr)} &= \text{Lower choke Loss (Pc)} + \\ &(\text{Total loss of single drive (Dp)} \times \text{Recirculation factor (Rf)}) \\ &= 250 + (4290 \times 0.76) \\ &= 3510 \text{ W} \end{aligned}$$

NOTE

This is the loss from 1 drive unit only as simulations have shown that with drives mounted inline and in a symmetric system the losses are shared equally.

Calculate temperature rise

Table 5-3 Unidrive SPM air flow rates

Modules	Flow rate (m ³ /hr)
SPMA (All)	250
SPMD 1201 to 1204, SPMD1401/2, SPMD1601/2	250
SPMD1403/4, SPMD 1603/4	305
SPMC/U	200

Calculating temperature rise in enclosure

$$dT = 3kPr/V$$

Where:

- V = Airflow in m³/hr (Unidrive SPMD1404 flow rate = 305)
- dT = Temperature rise
- Pr = Loss affecting drive temp
- k = 1 / Altitude de-rate

Therefore ambient temperature rise (dT):

$$\begin{aligned} &= (3 \times 1 \times 3510.4) / 305 \\ &= 34.5^\circ\text{C} \end{aligned}$$

So,

$$\text{Ambient temperature inside enclosure} = \text{External ambient} + \text{temperature rise} = 64.5^\circ\text{C}$$

This shows that with a maximum allowable drive ambient temperature of 40°C, the enclosure will get 24.5°C too hot.

Processing results

Option 1: If the absolute temperature inside the enclosure is still less than 50°C, select a drive with the correct rating at 50°C.

Option 2: Add more venting, if possible, to reduce the recirculation and recalculate.

Option 3: Add enclosure fan.

Option 4: Redesign the enclosure so that the drives can be through panel mounted. This means that most of the heat can escape outside the main enclosure and the input air into the heat sinks will remain at the external ambient and not be affected by recirculation. Refer to section 5.7.2 *Through-panel mounting* on page 44.

NOTE

Heat loss through the front of the drive still needs to be considered.

Adding enclosure fan

Calculate required flow rate

- Fan needs to remove the effect of re-circulation and the added choke loss.
- Loss affecting drive temp (Pr) = 3510.4W
- The above Loss of 3510.4W is for one drive only, so with an enclosure of 2 units the total loss to remove = 7020.8W

Calculate the temperature rise allowed in the enclosure:

$$\begin{aligned} \text{Temperature rise (dT)} &= (\text{Allowable drive ambient} - 5 \{\text{safety factor}\}) - \text{External ambient} \\ &= (40 - 5) - 30 \\ &= 5^\circ\text{C} \end{aligned}$$

Then using:

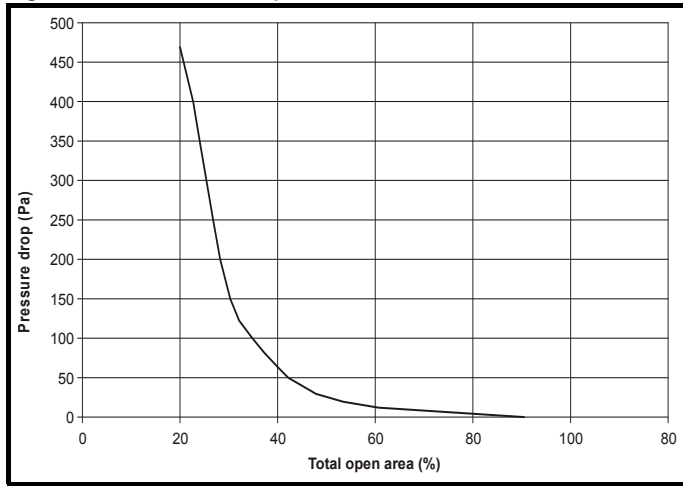
$$V = 3kPr / (dT)$$

$$\begin{aligned} \text{Flow rate required to remove loss} &= (3 \times 1 \times 7020.8) / 5 \\ &= 4212.5 \text{ m}^3/\text{hr} \end{aligned}$$

Calculate back pressure on fan

$$\text{Open area of venting \%} = \frac{\text{Open area of roof} + \text{open area of inlet} \times 100}{2 \times \text{cubicle width} \times \text{cubicle depth}}$$

Figure 5-34 Pressure drop



Best practice: Size the enclosure air inlet and exit vents at least as large as the venturi opening of the fan used. This will ensure a negligible back pressure.




With 52.5% open area: **Pressure drop = 34**

Selecting fan

Considerations when selecting fan:

- Dimensions and space limitation
- Required flow rate
- Static pressure
- Noise level
- Power supply

Table 5-4 Type of fan

<p>Backward curved Blower (Centrifugal)</p> <ul style="list-style-type: none"> • Outward flow perpendicular to inward flow • Good at high + low back pressures • Good resistance to dust and dirt due to impeller design • Do not need cowling • Relatively small diameters required for high airflow 	
<p>Forward curved blower (Centrifugal)</p> <ul style="list-style-type: none"> • Requires cowling • Good at directing flow 	
<p>Axial Fan</p> <ul style="list-style-type: none"> • Not good at high pressure but good for low pressure applications such as room venting and ducting • Inward flow and outward flow is in same direction • Good in straight line duct applications. • Large diameters required for high air flows 	

Fan curves

Once the type of fan has been selected the next step is to match the system characteristics of your enclosure to the fan performance curve.

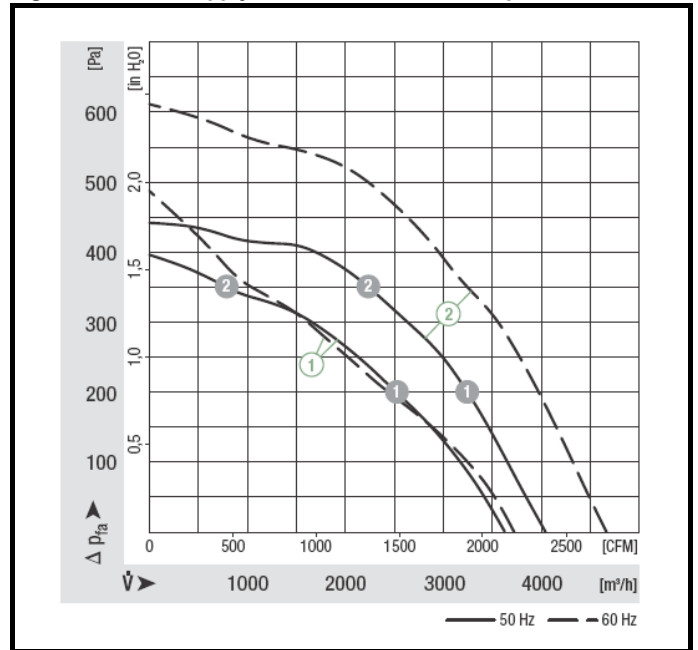
System operating point is:

Static pressure = 34 Pa

Flow rate= 4212.5 m³/hr

Selected fan is a Backward curved centrifugal blower to place in the roof and take advantage of the perpendicular flow and high flow rate properties.

Figure 5-35 AC supply 400mm diameter blower performance



Final summary

1. Enclosure fans can be placed on inlet and outlet depending on system limitations.
2. Considerations with fan on outlet:
 - Higher Ambient temperature surrounding fan, can affect fan life.
 - Depressurisation of enclosure which may draw in dust through any apertures.
3. Considerations with fan on inlet:
 - Proximity of dust filter to fan, can create excess back pressure on fan
 - Non-uniform flow across internal components
4. Dust filters:

Use the largest filter possible, in order to:

 - a. Increase dust capacity
 - b. Reduce pressure drop
5. Make sure Drive inlets are as close to the enclosure air inlet as possible
6. Do not block the inlet and outlets of the drive airflow. Keep to best practice spacing between drives and other parts in enclosure.
7. Beware of blocking air inlets or outlets with cable routing.

5.9 Heatsink fan operation

The Unidrive SPMA, SPMD and SPMC/U are ventilated by a heatsink mounted fan and an auxiliary fan to ventilate the drive box. The fan housing forms a baffle plate, channelling the air through the heatsink chamber. Thus, regardless of mounting method (surface mounting or through-panel mounting), the installation of additional baffle plates is not required.

Ensure the minimum clearances around the drive are maintained to allow air to flow freely.

The heatsink fan on Unidrive SPMA, SPMD and SPMC/U is variable speed. The drive controls the speed at which the fan runs based on the temperature of the heatsink and the drive's thermal model system. The Unidrive SPMA and SPMD are also installed with variable speed fan to ventilate the capacitor bank.

All Unidrive SPM models require an external 24Vdc supply to drive the fans. See Figure 6-12 *Location of the heatsink fan supply connections (SPMA & SPMD)* on page 73 for more information.

To avoid premature failure, regular cleaning on the fan is recommended as outlined in Table 5-8 on page 58. See the following diagrams which demonstrate how to remove the fan from the drive.

Figure 5-36 Removal of Unidrive SPMA/D fan (part 1)

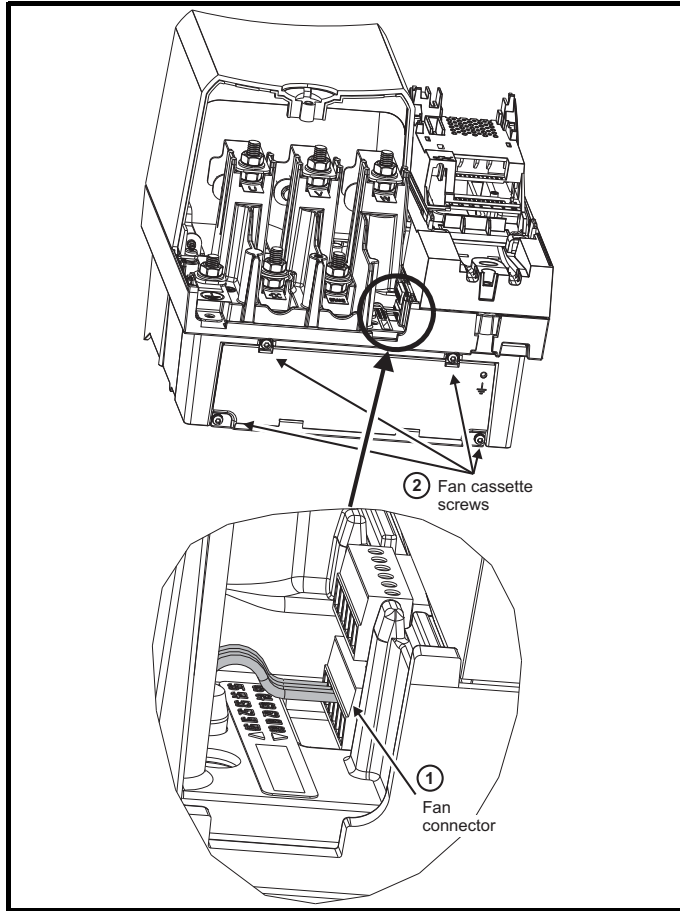
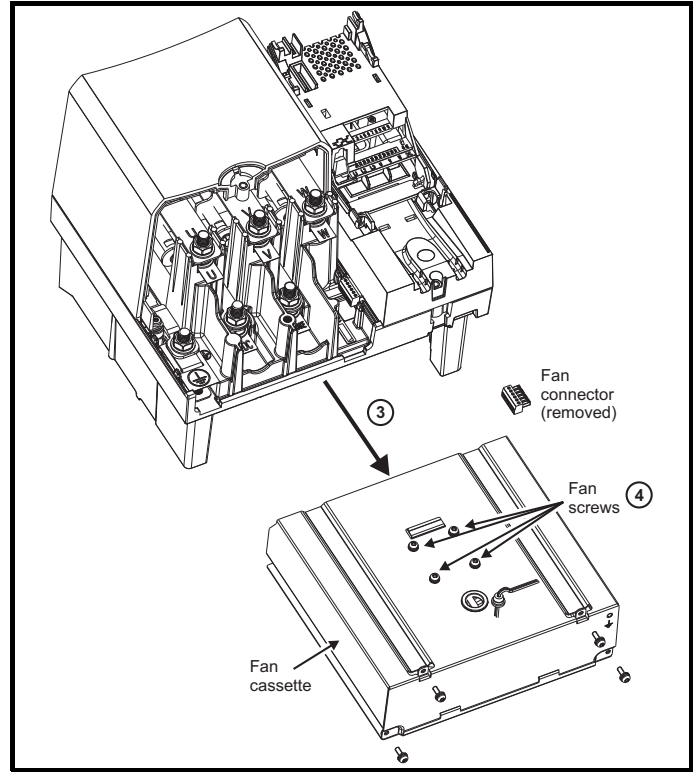
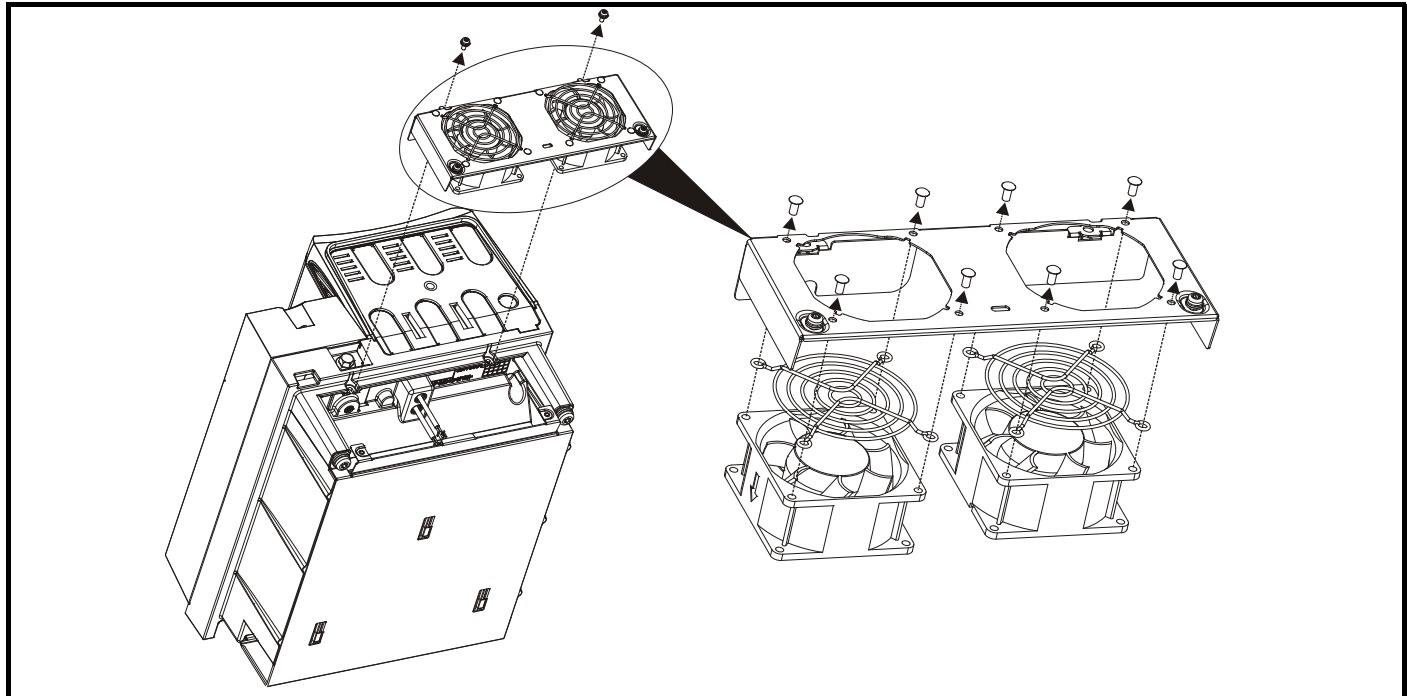


Figure 5-37 Removal of Unidrive SPMA/D fan (part 2)



1. Remove the cable from the fan connector
2. Undo fan cassette screws
3. Slide fan cassette out of heatsink chamber
4. Remove fan screws in order to remove fan from cassette

Figure 5-38 Removal of Unidrive SPMC/U fan



NOTE

The following rectifiers only have one fan included in their assembly:
 SPMU1402
 SPMC/U1601

Table 5-5 Unidrive SPM fan assembly part numbers

Model	Fan assembly
SPMA, SPMD14X1, SPMD14X2, SPMD16X1, SPMD16X2	9701-0019
SPMD14X3, SPMD14X4, SPMD16X3, SPMD16X4	9701-0020
SPMC1402, SPMC/U2402, SPMC/U2601	9701-0021
SPMU1402, SPMC/U1601	9701-0022

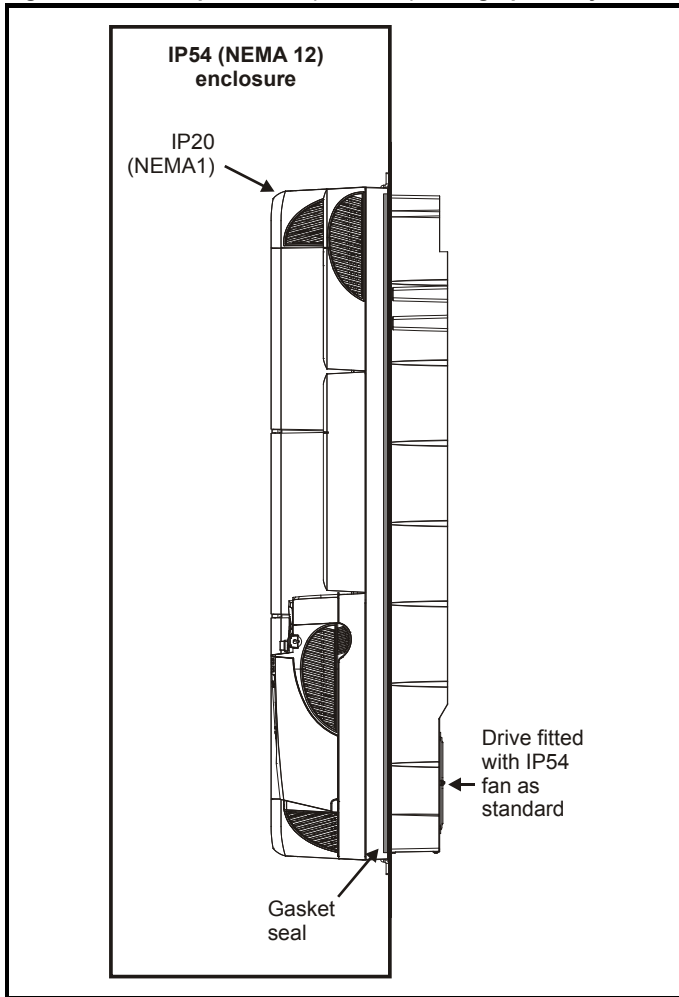
5.10 Enclosing drive for high environmental protection

An explanation of IP Rating is provided in section 14.1.10 *IP Rating (Ingress Protection)* on page 267.

The standard drive is rated to IP20 pollution degree 2 (dry, non-conductive contamination only) (NEMA 1). However, it is possible to configure the drive to achieve IP54 rating (NEMA 12) at the rear of the heatsink for through-panel mounting.

This allows the front of the drive, along with various switchgear, to be housed in an IP54 (NEMA 12) enclosure with the heatsink protruding through the panel to the external environment. Thus, the majority of the heat generated by the drive is dissipated outside the enclosure maintaining a reduced temperature inside the enclosure. This also relies on a good seal being made between the heatsink and the rear of the enclosure using the gaskets provided.

Figure 5-39 Example of IP54 (NEMA 12) through-panel layout



The main gasket should be installed as shown in Figure 5-39. Any screws / bolts that are used for mounting should be installed with the nylon washers provided in the kit box to maintain a seal around the screw hole. See Figure 5-40.

It may be necessary to improve the rigidity of the through panel mounting surface due to the larger distance between the top and bottom mounting brackets and the need to maintain compression on the gasket. When the drive is mounted, if the gap between the drive flange (which the gasket rests on) and the rear wall of the enclosure is $\geq 6\text{mm}$ at any point around the drive then the following methods can be used to compress the gasket further:

1. Use a thicker panel for the mounting wall of the enclosure through which the drive is mounted.
2. Use an internal backplate to pull the rear wall of the enclosure up to the drive gasket. See Figure 5-40 for details. (Nylon washers are supplied in the standard drive kit for sealing off any nut and bolt mountings that exit through the rear wall of the panel).
3. If an internal backplate is not available a separate clamp can be used to simulate option 2. See Figure 5-41 on page 58. 4 off sealing clamps are supplied in the drive kit box.

Figure 5-40 Option 2 for achieving IP54 (NEMA 12) through-panel mounting

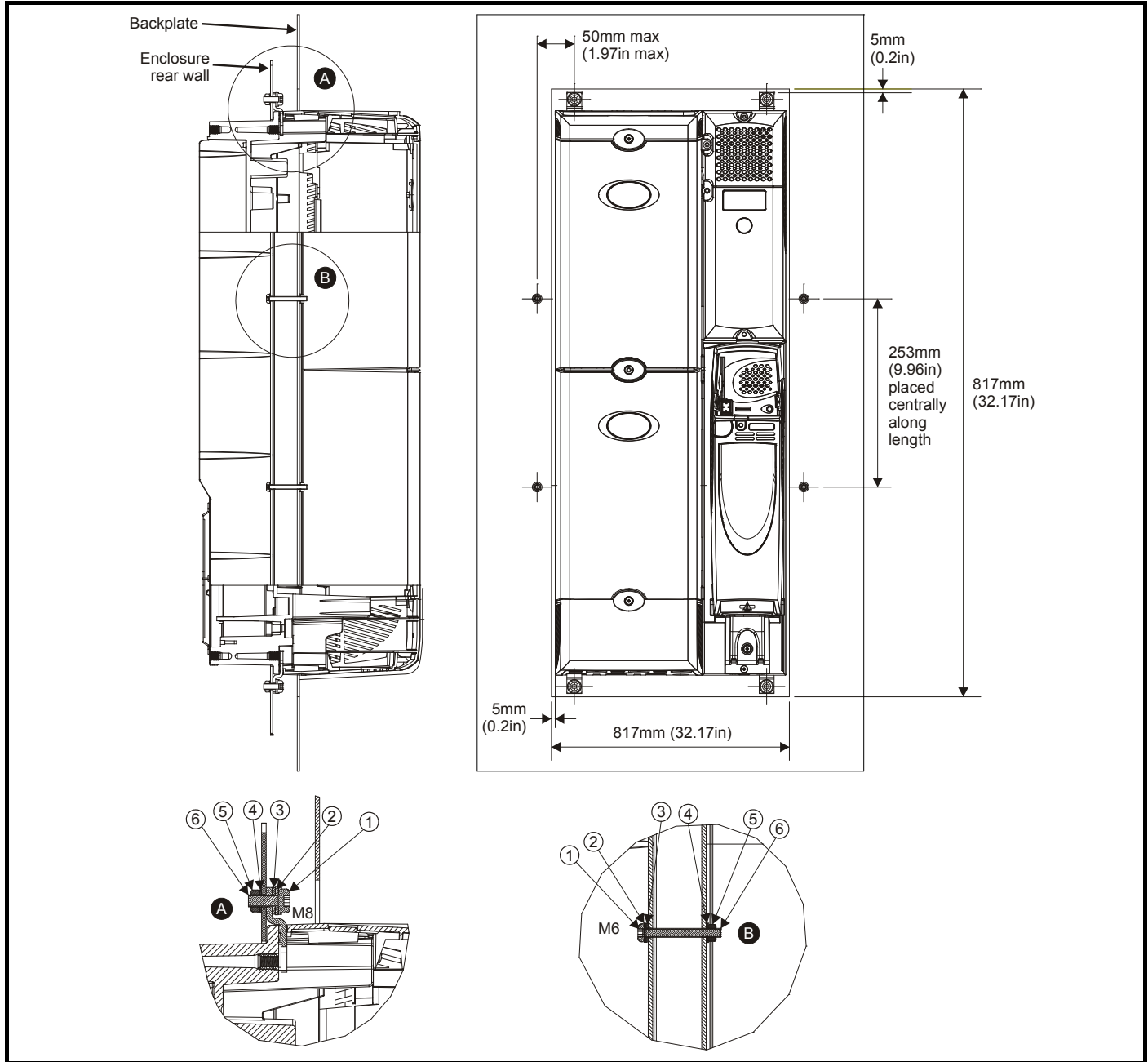


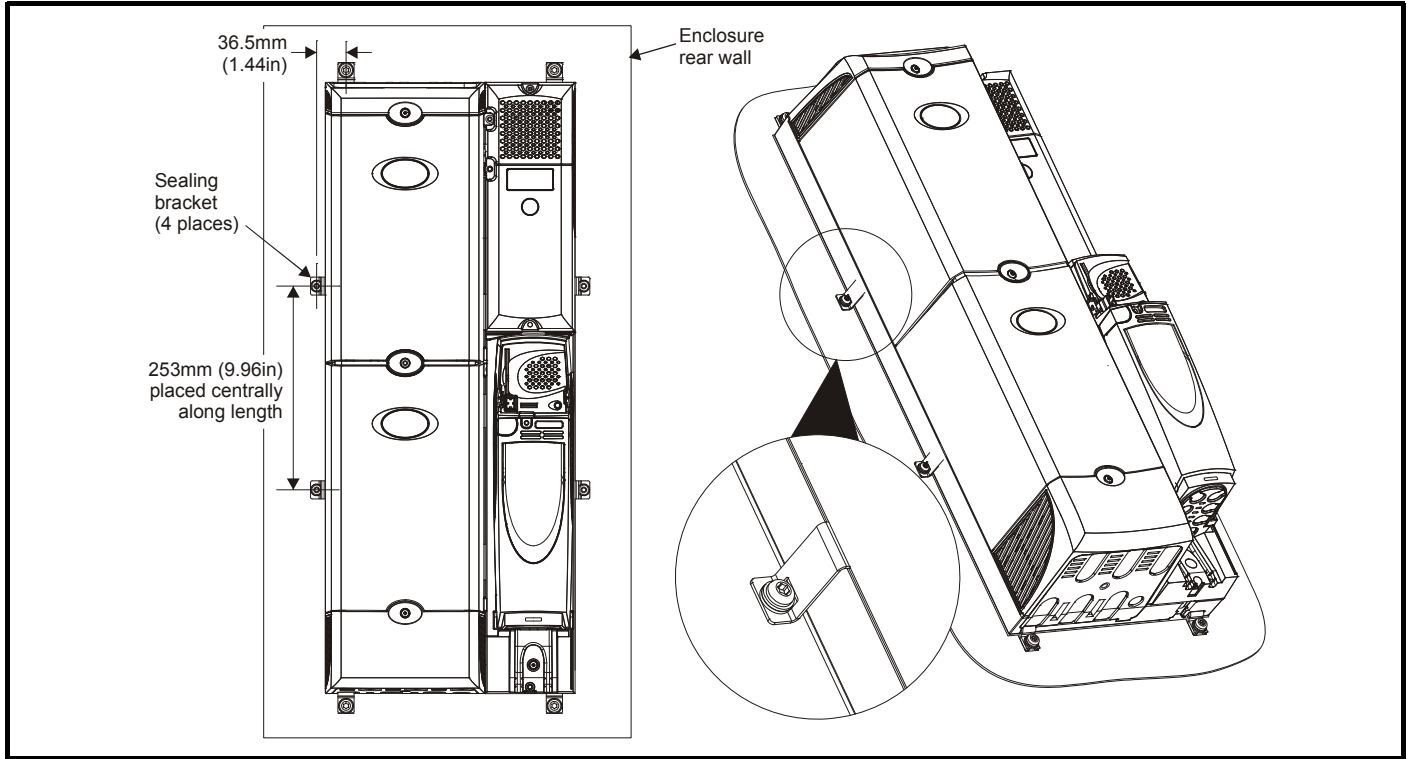
Table 5-6 Description of fixings

Item	Description
1	Bolt
2	Flat washer
3	Nylon washer (from kitbox)
4	Flat washer
5	Spring washer
6	Nut

Table 5-7 Quantity of nylon washers included in the kit boxes

Size	Quantity of M8 (A)	Quantity of M6 (B)
All	4	4

Figure 5-41 Option 3 for achieving IP54 (NEMA 12) through panel mounting



The heatsink fan installed on the Unidrive SPMC/U is IP21 rated as standard. To achieve IP54 rating (NEMA 12) at the rear of the heatsink for through panel mounting, the SPMC/U heatsink fan must be changed for the IP54 version, part number 3251-7824.

The procedures in section 5.9 *Heatsink fan operation* on page 54 should be followed to change the fan.

If the standard fan is used in a dirty/dusty environment, reduced fan lifetime will result. Regular cleaning of the fan and heatsink is recommended in this environment. The heatsink fan installed in Unidrive SPMA and SPMD are IP54 rated as standard.

The guidelines in Table 5-8 should be followed.

Table 5-8 Environment considerations

Environment	Fan	Comments
Clean	Standard	
Dry, dusty (non-conductive)	Standard	Regular cleaning recommended. Fan lifetime may be reduced.
Dry, dusty (conductive)	Standard / IP54	Regular cleaning recommended. Fan lifetime may be reduced.
IP54 compliance	IP54	Regular cleaning recommended.

NOTE

When designing an IP54 (NEMA 12) enclosure (Figure 5-39), consideration should be given to the dissipation from the front of the drive.

Table 5-9 Power losses from the front of the drive when through-panel mounted

Model	Power loss
SPMA	≤480W
SPMD	≤300W
SPMC	≤50W
SPMU	≤50W

5.11 External EMC filter

In order to provide our customers with a degree of flexibility, external EMC filters have been sourced from two manufacturers: Schaffner & Epcos. Filter details for each drive rating are provided in the tables below. Both the Schaffner and Epcos filters meet the same specifications.

Table 5-10 Single drive EMC filter details

Drive	Schaffner		Epcos	
	CT part no.	Weight	CT part no.	Weight
SPMA14X1 to SPMA14X2	4200-6603	5.25 kg (11.6 lb)	4200-6601	8.6 kg (19.1 lb)
SPMA16X1 to SPMA16X2	4200-6604	5.25 kg (11.6 lb)	4200-6602	8.6 kg (19.1 lb)
SPMD12X1 to SPMD12X4	4200-6315	5.5 kg (12.11 lb)	4200-6313	8.6 kg (19.1 lb)
SPMD14X1 to SPMD14X4	4200-6315	5.5 kg (12.11 lb)	4200-6313	8.6 kg (19.1 lb)
SPMD16X1 to SPMD16X4	4200-6316	5.5 kg (12.11 lb)	4200-6314	8.5 kg (18.7 lb)

The external EMC filters for Unidrive SPMA and SPMD are designed to be mounted above the drive, as shown in Figure 5-42.

Mount the external EMC filter following the guidelines in section 6.13.5 *Compliance with generic emission standards* on page 84.

Figure 5-42 Mounting the external EMC filter

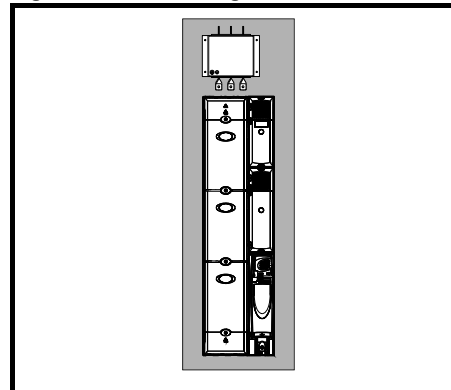


Figure 5-43 External EMC filter

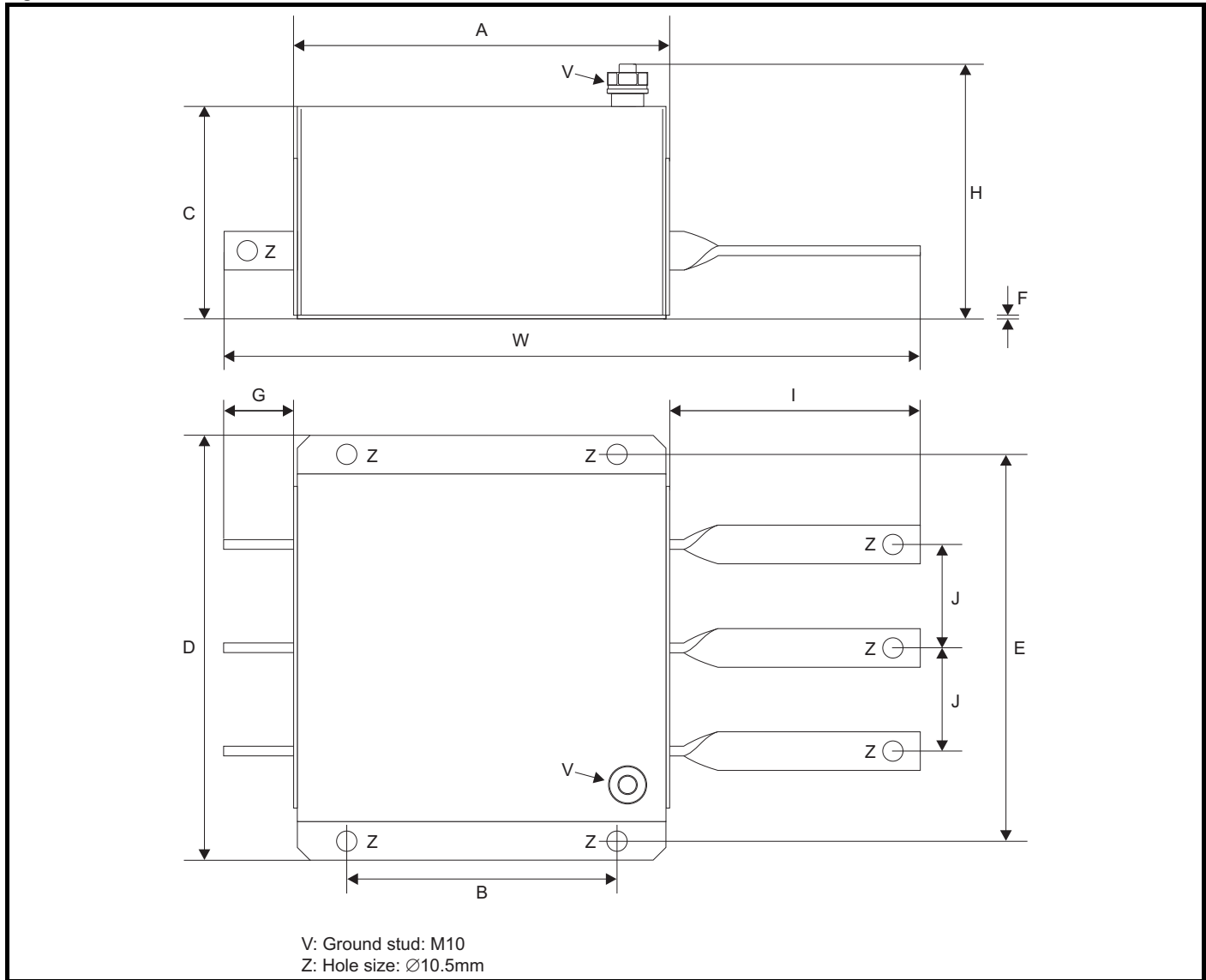


Table 5-11 Optional external EMC filter details

CT part no.	Manufacturer	A	B	C	D	E	F	G	H	I	J	W	V
4200-6603	Schaffner	191 mm (7.520 in)	140 mm (5.512 in)	110 mm (4.330 in)	230 mm (9.055 in)	210 mm (8.268 in)	2 mm (0.079 in)	38 mm (1.496 in)	136 mm (5.354 in)	66 mm (2.600 in)	53.5 mm (2.106 in)	295 mm (11.614 in)	25Nm (18.4 lb ft)
4200-6604								128 mm (5.040 in)				357 mm (14.055 in)	
4200-6315		220 mm (8.661 in)	170 mm (6.700 in)					76 mm (3.000 in)	60 mm (2.362 in)	339 mm (13.346 in)			
4200-6316		226 mm (8.900 in)						40 mm (1.574 in)		73 mm (2.874 in)			
4200-6601	Epcos	191 mm (7.520 in)	140 mm (5.512 in)	110 mm (4.330 in)	230 mm (9.055 in)	210 mm (8.268 in)	2 mm (0.079 in)	42 mm (1.654 in)	147 mm (5.787 in)	127 mm (5.000 in)	53.5 mm (2.106 in)	364 mm (14.330 in)	10Nm (7.4 lb ft)
4200-6602													
4200-6313		220 mm (8.661 in)	170 mm (6.700 in)					76 mm (3.000 in)	60 mm (2.362 in)	339 mm (13.346 in)			
4200-6314								43 mm (1.700 in)		149 mm (5.866 in)	76 mm (3.000 in)		

The following EMC filters are available for multiple module drives.

Table 5-12 EMC filters for multiple drive combinations

Combination	Epcos	
	CT part no.	Weight
2 x SPMD1401	4200-6801	22kg (48.5lb)
2 x SPMD1402		
2 x SPMD1403		
2 x SPMD1404	4200-6802	28kg (61.7lb)
4 x SPMD1401		
3 x SPMD1403		
4 x SPMD1402		
4 x SPMD1403	4200-6803	34kg (75lb)
4 x SPMD1404		

Figure 5-44 Multiple drive EMC filters

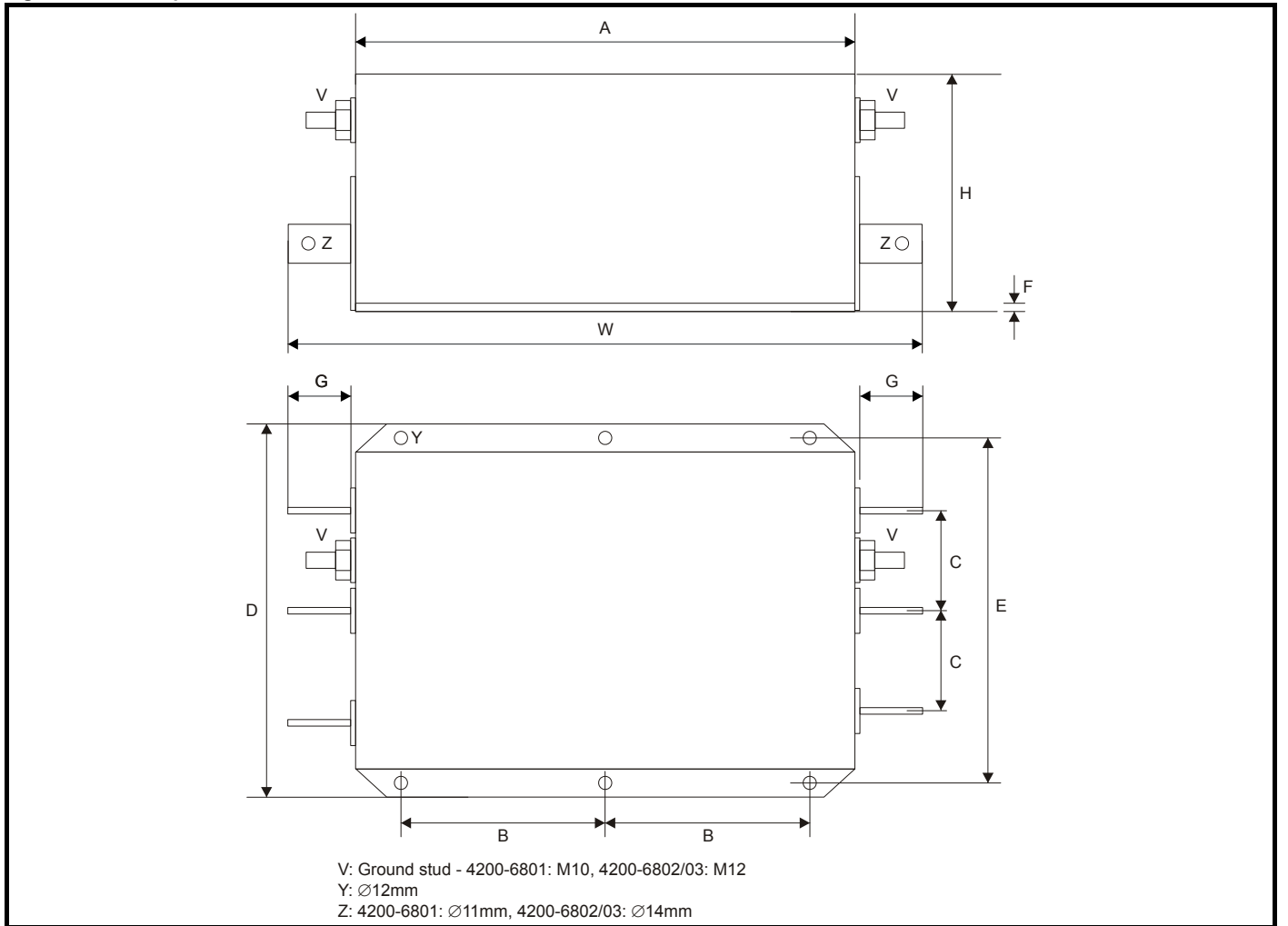


Table 5-13 Optional external EMC filter details

CT part no.	Manufacturer	A	B	C	D	E	F	G	H	W	V
4200-6801	Epcos	350mm (13.78in)	145±0.5mm (5.71±0.02in)	60mm (2.36in)	260mm (10.24in)	235±1mm (9.2±0.04 in)	2mm (0.08in)	42±3mm (1.65±0.12in)	116mm (4.57in)	440±2.5mm (17.32±0.1in)	10 N m (7.4 lb ft)
4200-6802				80mm (3.15in)	300mm (11.81in)	275±1mm (10.83±0.04in)	2.5mm (0.1in)	52±3mm (2.05±0.12in)	166mm (6.54in)	460±2.5mm (18.11±0.1in)	15.5 N m (11.4 lb ft)
4200-6803		400mm (15.75in)	170±0.5mm (6.71±0.02in)				92±3mm (3.62±0.12in)		590±3mm (23.23±0.12in)		

5.12 Line reactor mounting dimensions

5.12.1 Input line reactors

Figure 5-45 Single input line reactor (INLX0X)

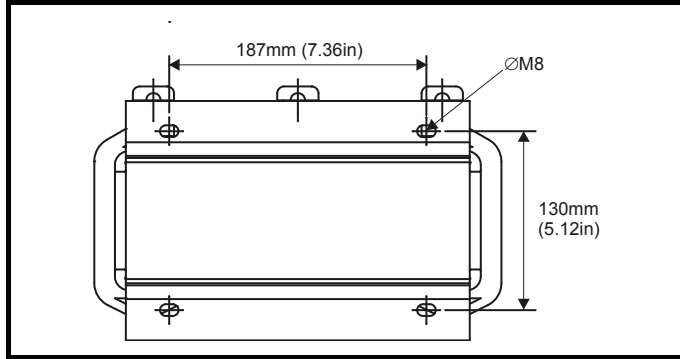


Figure 5-46 Dual input line reactor (INLX1X)

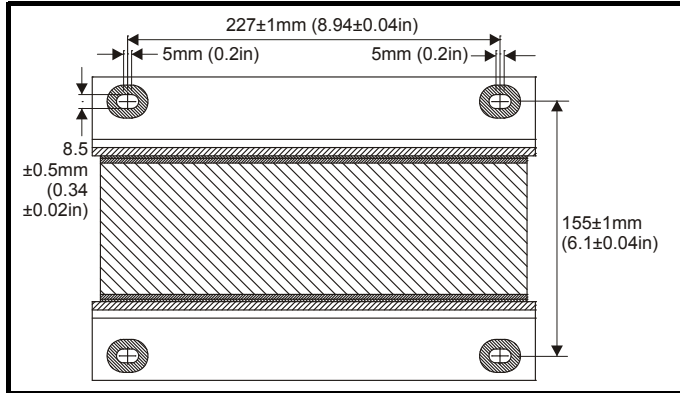
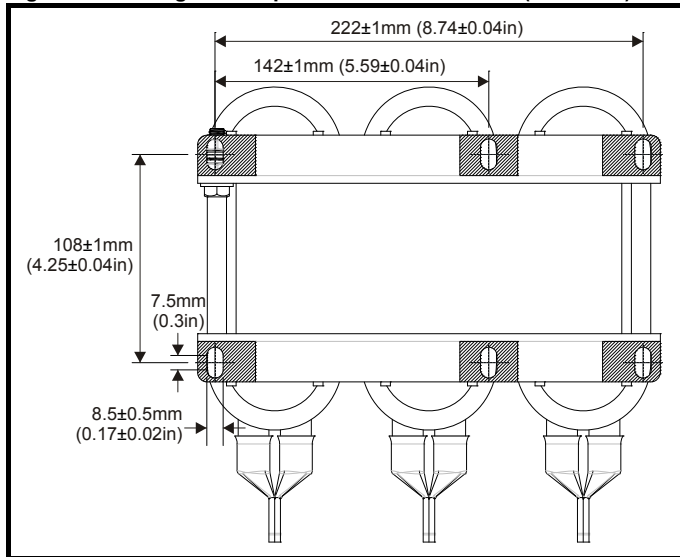


Figure 5-47 Single line input reactor force cooled (INLX0XW)



For overall dimensions and other details, refer to section 6.2.2 *Input line reactor specifications* on page 67.

5.12.2 Output sharing chokes

Figure 5-48 Single output sharing choke (OTLX0X)

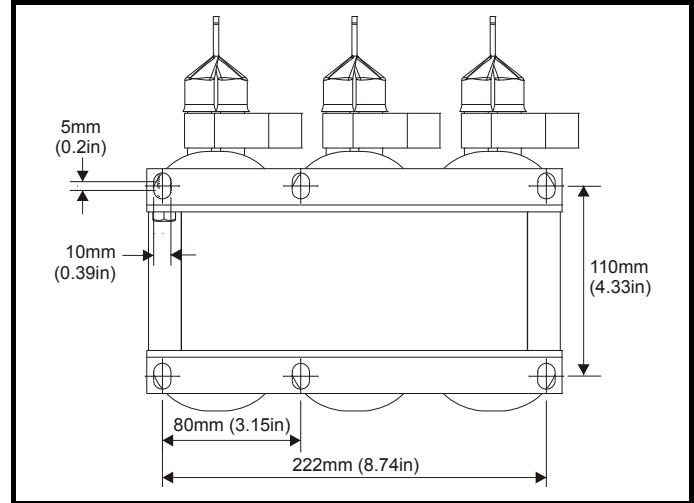
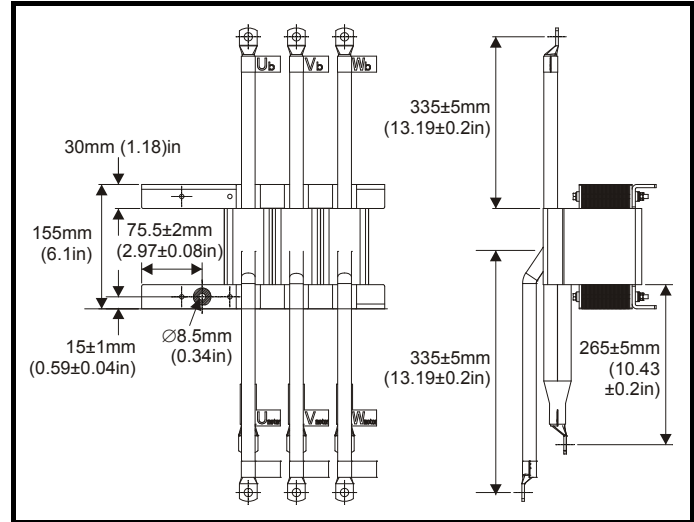


Figure 5-49 Dual output sharing choke (OTLX1X)

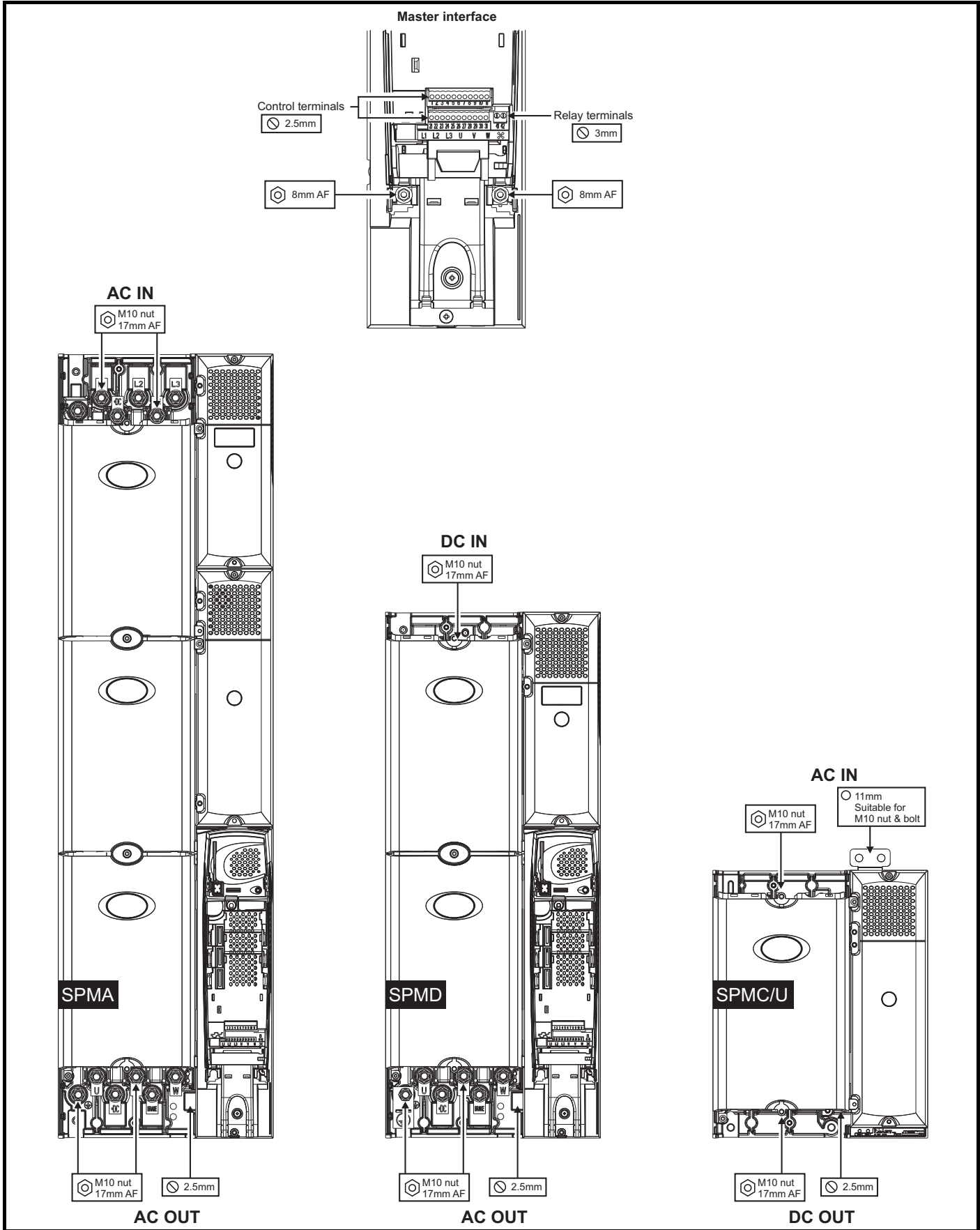


For overall dimensions and other details, refer to section 6.3 *Output sharing choke specification* on page 69.

5.13 Electrical terminals

5.13.1 Location of the power and ground terminals

Figure 5-50 Locations of the power and ground terminals on Unidrive SPM



5.13.2 Terminal sizes and torque settings



To avoid a fire hazard and maintain validity of the UL listing, adhere to the specified tightening torques for the power and ground terminals. Refer to the following tables.

Table 5-14 Master/slave control and relay terminal data

Model	Connection type	Torque setting
All	Plug-in terminal block	0.5 N m (0.4 lb ft)

Table 5-15 Drive power terminal data

Model	AC terminals	High current DC and braking	Ground terminal
All	M10 stud 15 N m		M10 stud or nut and bolt 15 N m
Torque tolerance			±10%

Table 5-16 Optional external EMC Filter terminal data

CT part number	Manufacturer	Power connections	Ground connections	
		Max torque	Ground stud size	Max torque
4200-6603	Schaffner	12 N m (8.8 lb ft)	M10	25 N m (18.4 lb ft)
4200-6604				
4200-6315				
4200-6316				
4200-6601	Epcos	10 N m (7.4 lb ft)	M10	10 N m (7.4 lb ft)
4200-6602				
4200-6313				
4200-6314				
4200-6801			M12	15.5 N m (11.4 lb ft)
4200-6802				
4200-6803				

5.14 Routine maintenance

The drive should be installed in a cool, clean, well ventilated location. Contact of moisture and dust with the drive should be prevented.


Regular checks of the following should be carried out to ensure drive / installation reliability are maximized:

Environment	
Ambient temperature	Ensure the enclosure temperature remains at or below maximum specified
Dust	Ensure the drive remains dust free – check that the heatsink and drive fan are not gathering dust. The lifetime of the fan is reduced in dusty environments.
Moisture	Ensure the drive enclosure shows no signs of condensation
Enclosure	
Enclosure door filters	Ensure filters are not blocked and that air is free to flow
Electrical	
Screw connections	Ensure all screw terminals remain tight
Crimp terminals	Ensure all crimp terminals remains tight – check for any discoloration which could indicate overheating
Cables	Check all cables for signs of damage

6 Electrical Installation

Many cable management features have been incorporated into the product and accessories, this chapter shows how to optimise them. Key features include:


- SAFE TORQUE OFF (SECURE DISABLE) function
- Internal EMC filter
- EMC compliance with shielding / grounding accessories
- Product rating, fusing and cabling information
- Brake resistor details (selection / ratings)




Electric shock risk
The voltages present in the following locations can cause severe electric shock and may be lethal:

- AC supply cables and connections
- DC and brake cables, and connections
- Output cables and connections
- Many internal parts of the drive, and external option units


Unless otherwise indicated, control terminals are single insulated and must not be touched.




Isolation device
The AC supply must be disconnected from the drive using an approved isolation device before any cover is removed from the drive or before any servicing work is performed.



STOP function
The STOP function does not remove dangerous voltages from the drive, the motor or any external option units.




SAFE TORQUE OFF (SECURE DISABLE) function
The SAFE TORQUE OFF (SECURE DISABLE) function does not remove dangerous voltages from the drive, the motor or any external option units.




Stored charge
The drive contains capacitors that remain charged to a potentially lethal voltage after the AC supply has been disconnected. If the drive has been energized, the AC supply must be isolated at least ten minutes before work may continue.

Normally, the capacitors are discharged by an internal resistor. Under certain, unusual fault conditions, it is possible that the capacitors may fail to discharge, or be prevented from being discharged by a voltage applied to the output terminals. If the drive has failed in a manner that causes the display to go blank immediately, it is possible the capacitors will not be discharged. In this case, consult Control Techniques or their authorized distributor.




Equipment supplied by plug and socket
Special attention must be given if the drive is installed in equipment which is connected to the AC supply by a plug and socket. The AC supply terminals of the drive are connected to the internal capacitors through rectifier diodes which are not intended to give safety isolation. If the plug terminals can be touched when the plug is disconnected from the socket, a means of automatically isolating the plug from the drive must be used (e.g. a latching relay).




Permanent magnet motors
Permanent magnet motors generate electrical power if they are rotated, even when the supply to the drive is disconnected. If that happens then the drive will become energized through its motor terminals.


If the motor load is capable of rotating the motor when the supply is disconnected, then the motor must be isolated from the drive before gaining access to any live parts.



Use of rectifiers other than Unidrive SPMC/U
If a rectifier other than Unidrive SPMC/U is used with Unidrive SPMD, then it must be installed with line to ground varistors which are capable of reducing overvoltage transients from category III to values of category II. (ref. EN61800-5-2). This is to ensure L-E transients do not exceed 4kV because there are no varistors installed in a D module and the insulation system from power to ground is designed to category II.



Use of rectifiers other than Unidrive SPMC/U
Any non Control Techniques rectifier must be installed with AC line fuses that correspond to those specified for the Unidrive SPMC/U. If this is not possible then DC fuses should be specified for the Unidrive SPMD. This is to ensure validity of the safety testing carried out to complete the safety file and for UL certification, especially in the event of a short circuit bus cap in the DC bus.



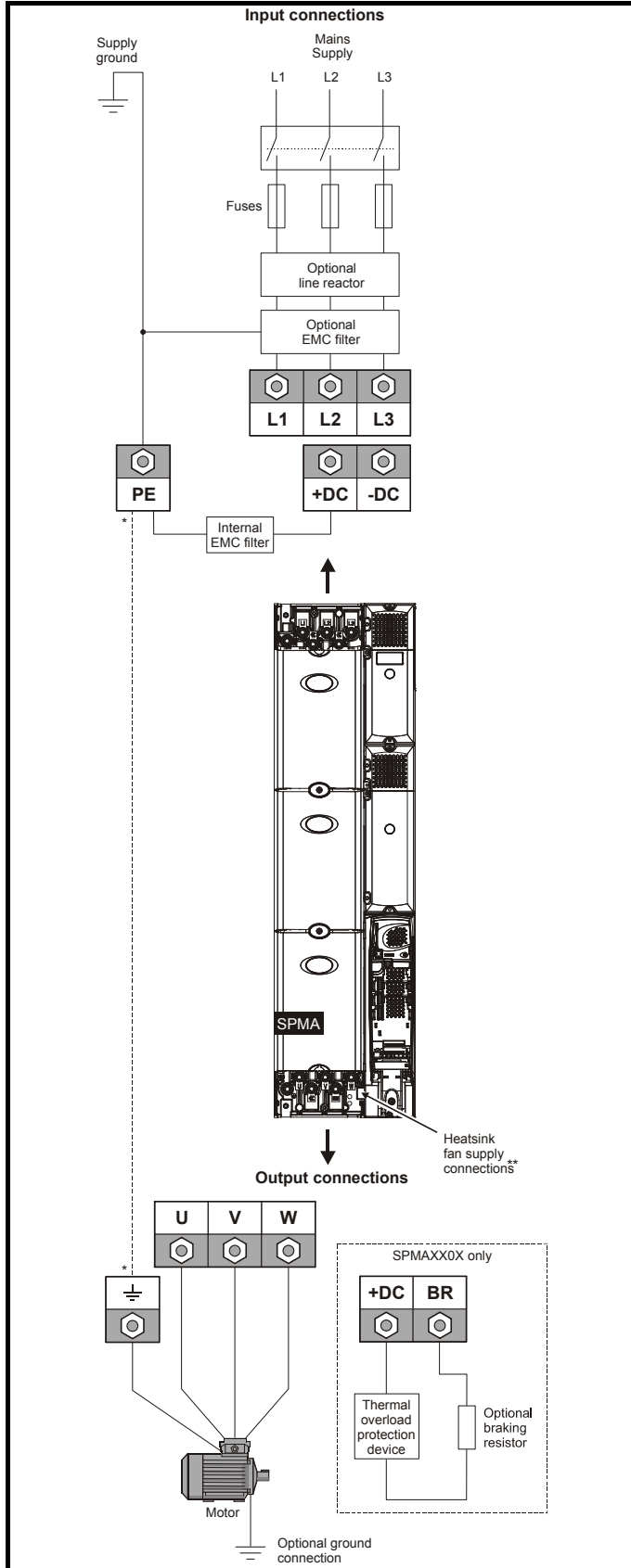
CAUTION
0V control connections on both SPMA and SPMD drives are internally earthed and cannot be disconnected. Ensure that there is adequate equipotential bonding between parts of a system with interconnected control wiring.

NOTE
The power supply to all modules in a multi-module system should be applied at the same time, to ensure the drive powers-up correctly. Otherwise the drive may power-up with a hardware fault (HF) trip code.

6.1 Power connections

6.1.1 AC and DC connections

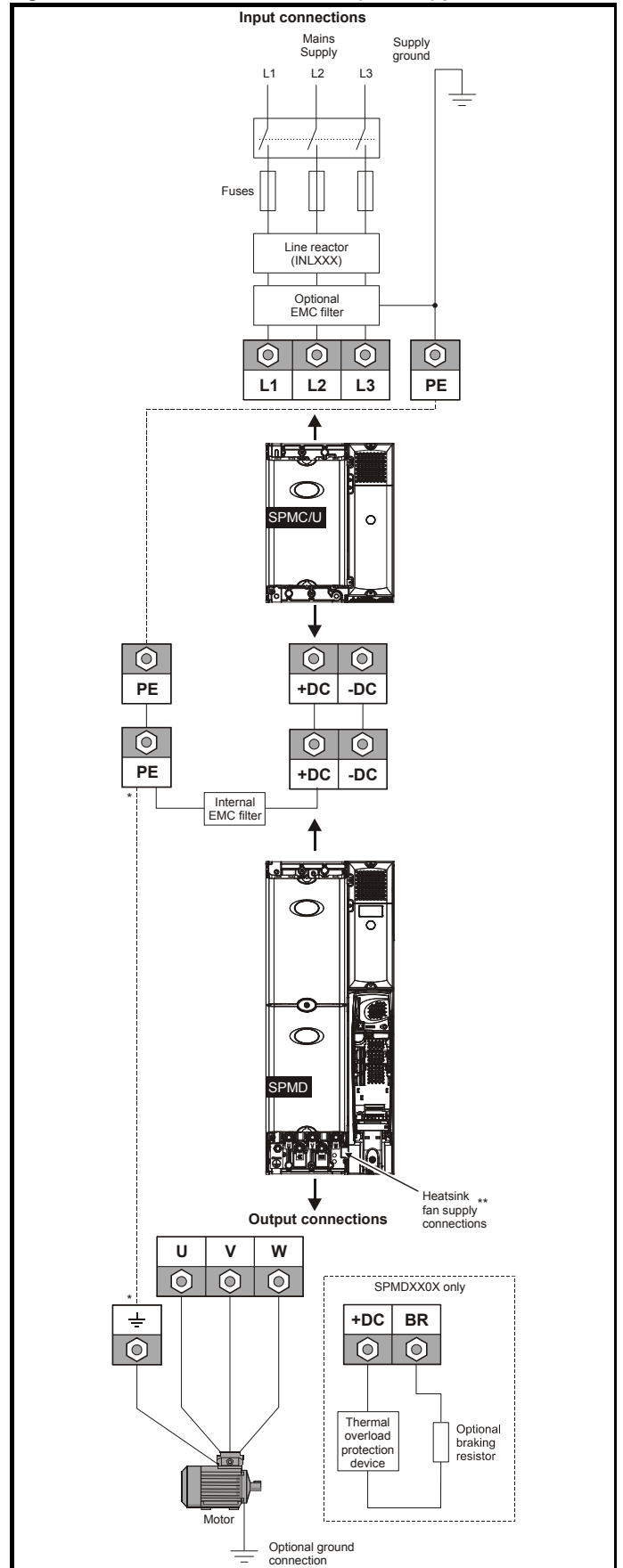
Figure 6-1 Unidrive SPMA power connections



* See section 6.1.2 Ground connections .

** See Figure 6-12 Location of the heatsink fan supply connections (SPMA & SPMD) on page 73 for more information.

Figure 6-2 Unidrive SPMD & SPMC/U (rectifier) power connections



* See section 6.1.2 Ground connections .

** See Figure 6-12 Location of the heatsink fan supply connections (SPMA & SPMD) on page 73 for more information.

NOTE

For the dual rectifier, the power connections are repeated. See Figure 2-4 on page 9 for terminal identification.

NOTE

A docking kit is available for electronically connecting the SPMD (inverter) to the SPMC/U (rectifier). See section 5.6.1 *Installing the docking kit* on page 39 for further details.

6.1.2 Ground connections

On a Unidrive SPMA, SPMD, SPMC/U the supply and motor ground connections are made using an M10 bolt at the top (supply) and bottom (motor) of the drive. See Figure 6-3.

The supply ground and motor ground connections to the drive are connected internally by a copper conductor with a cross-sectional area given below:

- SPMA: 75mm²
- SPMD: 120mm²
- SPMC/U: 128mm²

Figure 6-3 Unidrive SPMA ground connections

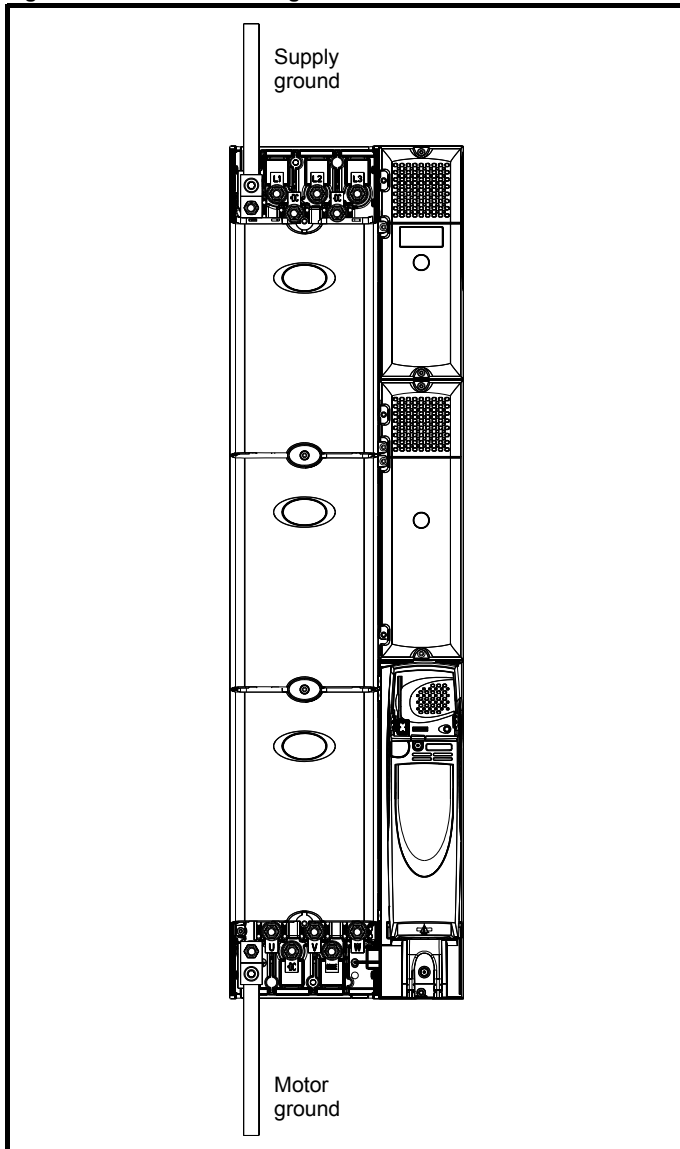


Figure 6-4 Unidrive SPMD ground connections

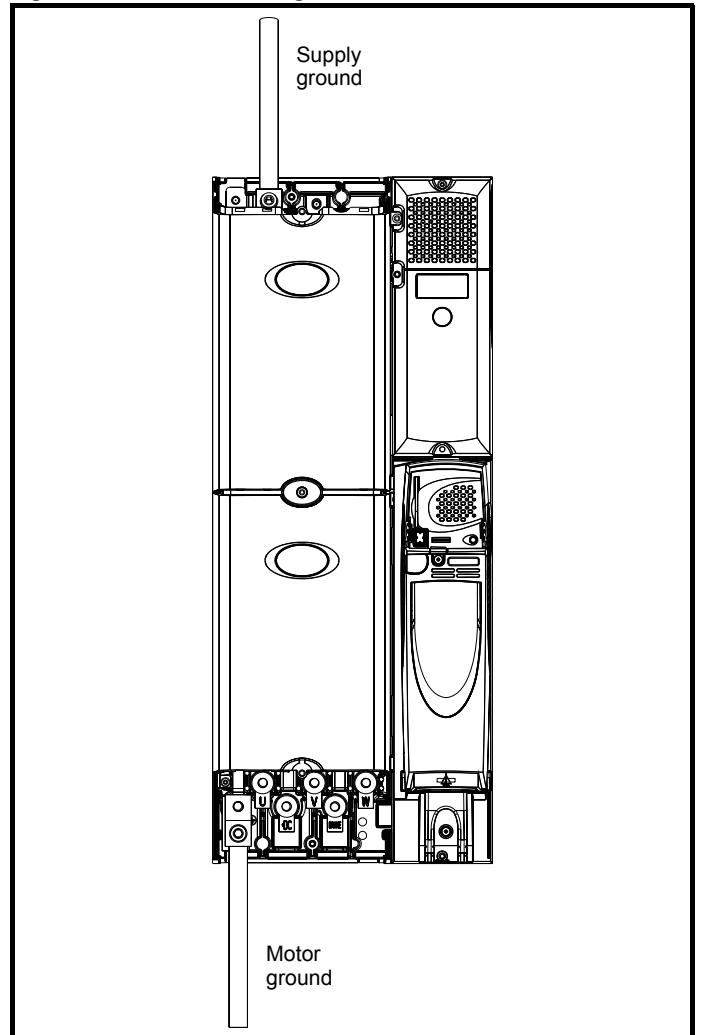


Figure 6-5 Unidrive SPMC/U ground connections

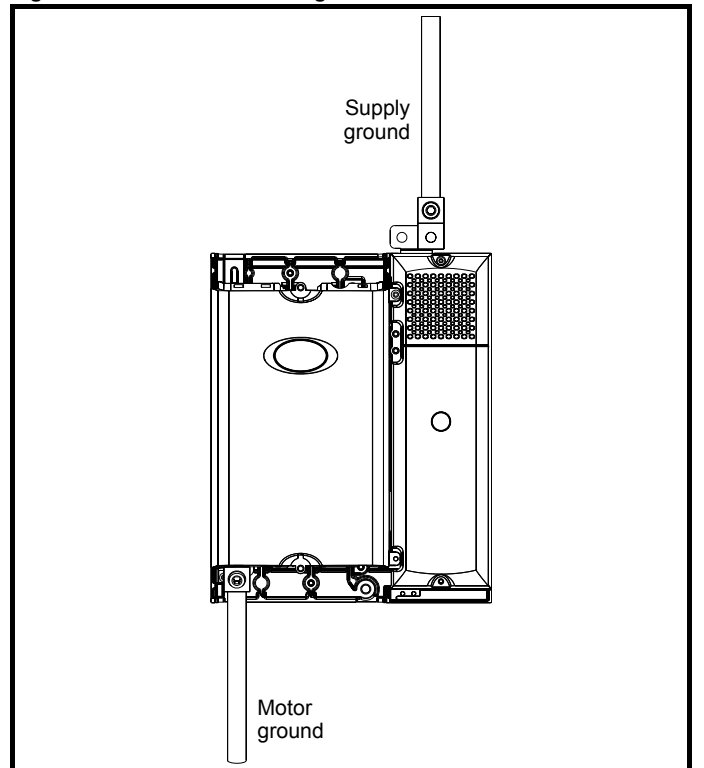
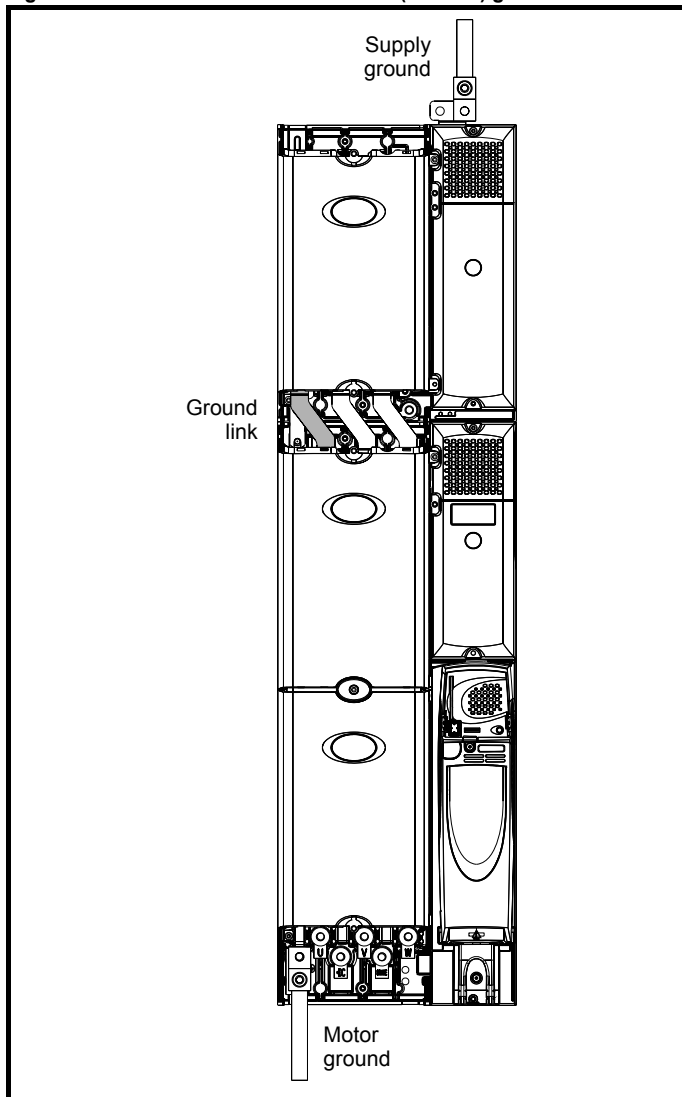


Figure 6-6 Unidrive SPMD and SPMC/U (rectifier) ground connections



WARNING The ground loop impedance must conform to the requirements of local safety regulations.
 The drive must be grounded by a connection capable of carrying the prospective fault current until the protective device (fuse, etc.) disconnects the AC supply.
 The ground connections must be inspected and tested at appropriate intervals.

6.2 AC supply requirements

Voltage:

- SPMX X2XX 200V to 240V ±10%
- SPMX X4XX 380V to 480V ±10%
- SPMX X6XX 500V to 690V ±10%

Number of phases: 3

Maximum supply imbalance: 2% negative phase sequence (equivalent to 3% voltage imbalance between phases).

Frequency range: 48 to 62 Hz

The maximum supply symmetrical fault current must be limited to 100kA (also required for UL compliance).

6.2.1 Supply types

Drives rated for supply voltage up to 575V are suitable for use with any supply type, i.e. TN-S, TN-C-S, TT, IT, with grounding at any potential, i.e. neutral, centre or corner ("grounded-delta").

Grounded delta supplies >575V are not permitted.

Drives are suitable for use on supplies of installation category III and lower, according to IEC60664-1. This means they may be connected permanently to the supply at its origin in a building, but for outdoor installation additional over-voltage suppression (transient voltage surge suppression) must be provided to reduce category IV to category III.

WARNING **Operation with IT (ungrounded) supplies:**
 Special attention is required when using internal or external EMC filters with ungrounded supplies, because in the event of a ground (earth) fault in the motor circuit the drive may not trip and the filter could be over-stressed. In this case, either the filter must not be used (removed) or additional independent motor ground fault protection must be provided. Refer to Table 6-1.
 For instructions on removal, refer to Figure 6-19 on page 80. For details of ground fault protection contact the supplier of the drive.

A ground fault in the supply has no effect in any case. If the motor must continue to run with a ground fault in its own circuit then an input isolating transformer must be provided and if an EMC filter is required it must be located in the primary circuit.

Unusual hazards can occur on ungrounded supplies with more than one source, for example on ships. Contact the supplier of the drive for more information.

Table 6-1 Behaviour of the drive in the event of a ground (earth) fault with an IT supply

Drive size	Internal filter only	External filter (with internal)
SPMA SPMD	May not trip – precautions required: <ul style="list-style-type: none"> • Remove the EMC filter • Use ground leakage relay 	May not trip – precautions required: <ul style="list-style-type: none"> • Do not use EMC filter • Use ground leakage relay

6.2.2 Input line reactor specifications

CAUTION A separate input line reactor of at least the value shown in Table 6-2 and Table 6-3 must be used with the rectifiers. Failure to provide sufficient reactance could damage or reduce the service life of the rectifier or inverter.

Figure 6-7 Input line reactor/output sharing choke dimensions

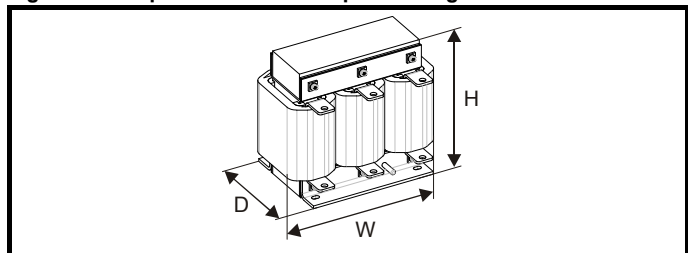


Table 6-2 400V input line reactor ratings

Model	Current A	Inductance μ H	Overall width (W) mm	Overall depth (D) mm	Overall height (H) mm	Weight kg	Max ambient temp ($^{\circ}$ C)	Min airflow (m/s)	Quantity required	Part No.
INL 401	245	63	240	190	225	32	50	1	1	4401-0181
INL 402	339	44	276	200	225	36	50	1	1	4401-0182
INL 401W*	245	63	255	235	200	27	40	3	1	4401-0208
INL 402W*	339	44	255	235	200	27	40	3	1	4401-0209

*May represent a more economic solution where operating temperature and cooling requirements are observed.

Table 6-3 400V dual input line reactor ratings

Model	Current A	Inductance μ H	Overall width (W) mm	Overall depth (D) mm	Overall height (H) mm	Weight kg	Max ambient temp ($^{\circ}$ C)	Min airflow (m/s)	Quantity required	Part No.
INL411	2 x 245	2 x 31.5	320	220	360	55	50	1	1	4401-0206
INL412	2 x 339	2 x 22	320	220	360	55	50	1	1	4401-0207

Table 6-4 690V input line reactor ratings

Model	Current A	Inductance μ H	Overall width (W) mm	Overall depth (D) mm	Overall height (H) mm	Weight kg	Max ambient temp ($^{\circ}$ C)	Min airflow (m/s)	Quantity required	Part No.
INL 601	145	178	240	190	225	33	50	1	1	4401-0183
INL 602	192	133	276	200	225	36	50	1	1	4401-0184

Table 6-5 690V dual input line reactor ratings

Model	Current A	Inductance μ H	Overall width (W) mm	Overall depth (D) mm	Overall height (H) mm	Weight kg	Max ambient temp ($^{\circ}$ C)	Min airflow (m/s)	Quantity required	Part No.
INL 611	2 x 145	2 x 89	320	220	360	40	50	1	1	4401-0190
INL 612	2 x 192	2 x 66.5	320	220	360	55	50	1	1	4401-0191

NOTE

The INLX1X parallel line reactors have been designed to work in conjunction with the Unidrive SPMC/U, allowing one reactor to be used with the dual rectifier model or two separate rectifier units.

6.2.3 Supplies requiring additional line reactance

Additional line reactance reduces the risk of damage to the drive resulting from poor phase balance or severe disturbances on the supply network. It also reduces harmonic current emission. It can be implemented by adding external reactors with SPMA modules, and by adding additional series reactors or increased reactance values with rectifier modules.

Where additional line reactance is to be used, added reactance of approximately 2% is recommended. Higher values may be used if necessary, but may result in a loss of drive output (reduced torque at high speed) because of the voltage drop.

For all drive ratings, 2% additional reactance permits drives to be used with a supply unbalance of up to 3.5% negative phase sequence (equivalent to 5% voltage imbalance between phases).

Severe disturbances may be caused by the following factors, for example:

- Power factor correction equipment connected close to the drive.
- Large DC drives having no or inadequate line reactors connected to the supply.
- Direct-on-line started motor(s) connected to the supply such that when any of these motors are started, the voltage dip exceeds 20%.

Such disturbances may cause excessive peak currents to flow in the input power circuit of the drive. This may cause nuisance tripping, or in extreme cases, failure of the drive.

Drives of low power rating may also be susceptible to disturbance when connected to supplies with a high rated capacity.

When required, each drive must have its own reactor(s). Three individual reactors or a single three-phase reactor should be used.

Reactor current ratings

The current rating of the line reactors should be as follows:

Continuous current rating:

Not less than the continuous input current rating of the drive

Repetitive peak current rating:

Not less than twice the continuous input current rating of the drive

6.2.4 Additional input inductance calculation

To calculate the additional inductance required (at Y%), use the following equation:

$$L = \frac{Y}{100} \times \frac{V}{\sqrt{3}} \times \frac{1}{2\pi fI}$$

Where:

I = drive rated input current (A)

L = inductance (H)

f = supply frequency (Hz)

V = voltage between lines

6.3 Output sharing choke specification

In order to achieve the best possible current sharing between paralleled Unidrive SPM modules, sharing chokes must be installed between the motor output connections and the drive's motor connections.

Table 6-6 400V output sharing choke ratings

Model	Current A	Inductance μH	Width (W) mm	Depth (D) mm	Height (H) mm	Weight kg	Max ambient temp °C	Min airflow m/s	Required SPM module	Part No.
OTL401	221	40.1	240	220	210	20	50	1	SPMA/D 14X1	4401-0197
OTL402	267	34	242	220	205	20	50	1	SPMA/D 14X2	4401-0198
OTL403	313	28.5	242	220	205	25	50	1	SPMD 14X3	4401-0199
OTL404	378	23.9	242	220	205	25	50	1	SPMD 14X4	4401-0200

Table 6-7 600V output sharing choke ratings

Model	Current A	Inductance μH	Width (W) mm	Depth (D) mm	Height (H) mm	Weight kg	Max ambient temp °C	Min airflow m/s	Required SPM module	Part No.
OTL601	135	103.9	242	170	203	20	50	1	SPMA/D 16X1	4401-0201
OTL602	156	81.8	242	170	203	20	50	1	SPMA/D 16X2	4401-0202
OTL603	181	70.1	242	200	203	20	50	1	SPMD 16X3	4401-0203
OTL604	207	59.2	242	200	203	20	50	1	SPMD 16X4	4401-0204

6.3.1 Dual output sharing chokes



The OTLX1X parallel output sharing chokes can only be used when two Unidrive SPM drives are paralleled together. For all other combinations the OTLX0X output sharing choke must be used.

Table 6-8 400V dual output sharing choke ratings

Model	Current A	Inductance μH	Width (W) mm	Depth (D) mm	Height (H) mm	Weight kg	Max ambient temp °C	Min airflow m/s	Part No.
OTL411	390	42.8	300	150	160	8	50	1	4401-0188
OTL412	470	36.7	300	150	160	8	50	1	4401-0189
OTL413	551	31.1	300	150	160	8	50	1	4401-0192
OTL414	665	26.6	300	150	160	9	50	1	4401-0186

Table 6-9 600V dual output sharing choke ratings

Model	Current A	Inductance μH	Width (W) mm	Depth (D) mm	Height (H) mm	Weight kg	Max ambient temp °C	Min airflow m/s	Part No.
OTL611	238	110.4	300	150	160	8	50	1	4401-0193
OTL612	274	88.4	300	150	160	8	50	1	4401-0194
OTL613	319	76.7	300	150	160	8	50	1	4401-0195
OTL614	365	65.7	300	150	160	8	50	1	4401-0196

6.3.2 Cooling requirements for higher output frequencies

Single OTL output sharing chokes - OTLX0X

Up to output frequencies of 300Hz, 1m/s airflow provides adequate cooling.

Above 300Hz, the following equation must be used to calculate the required airflow:

$$S = (f^{0.75}/72)$$

Where:

- S is the airflow in metres per seconds
- f is the drive output frequency in Hz

Example:

Output frequency is 450Hz

$$S = (450^{0.75}/72) = 1.4\text{m/s}$$

Dual OTL output sharing chokes - OTLX1X

The OTLX1X dual output sharing choke core does not see the change in drive output frequency as this choke is a current cancelling choke. Only the drives switching frequency has an effect on the core loss.

Therefore motor frequency is not an issue until higher frequencies cause high copper losses due to skin effect.

Therefore with the dual OTL chokes, only 1m/s airflow is required.

Maximum output frequency for OTL chokes

The maximum allowable output frequency for OTL output sharing chokes, singles or duals, should be limited to 1000Hz.

6.4 Supplying the drive with DC / DC bus paralleling

The drive may be supplied with DC instead of 3 phase AC.

The connecting of the DC bus between several drives is typically used to:

1. Return energy from a drive which is being overhauled by the load to a second motoring drive.
2. Allow the use of one braking resistor to dissipate regenerative energy from several drives.

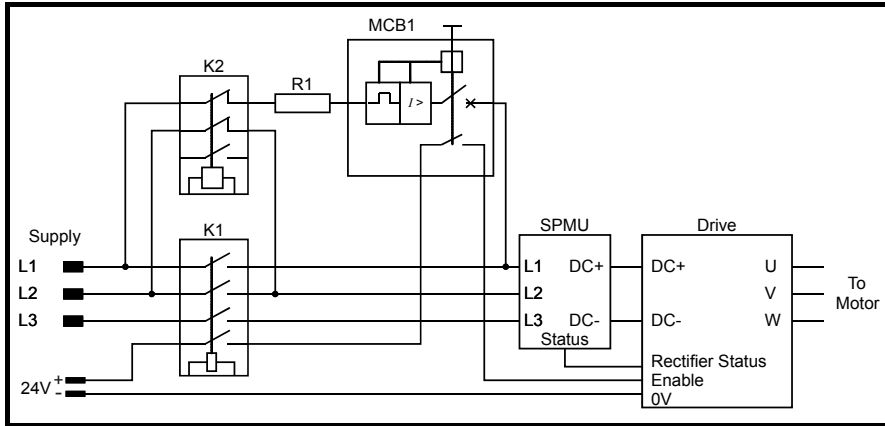
There are limitations to the combinations of drives which can be used in this configuration.

For further information, contact the supplier of the drive for the Application Note *DC bus paralleling*.

6.5 Resistor sizing for Unidrive SPMU softstart

A separate soft-start must be provided for the DC bus of a Unidrive SPMD system when a Unidrive SPMC is not used. The start-up circuit limits the amount of current flowing into the DC bus of the drive when the supply is first switched on. The recommended configuration is shown in Figure 6-8.

Figure 6-8 Softstart circuit configuration



K1: Main supply contactor to drive.

K2: Soft-start contactor

R1: Soft-start resistor

MCB1: Thermal / magnetic circuit breaker

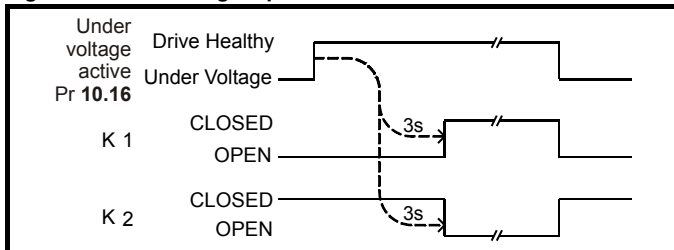
K1 and K2 should be energized at the same time.

MCB1 is normally closed

Drive is not allowed to start until K1 has closed.

K1 is energized 3s after the drive OK parameter becomes active as shown in Figure 6-9

Figure 6-9 Switching sequence for K1 and K2



6.5.1 Procedure

Selection of the resistor and contactor is an iterative process requiring calculations based on the total DC bus capacitance, supply voltage and knowledge of the available parts.

1. Calculate the total DC bus capacitance of the system by simply adding the DC bus capacitances of each drive that is to be started by the soft-start circuit.

2. Calculate the energy stored in the systems DC bus capacitance at the maximum supply voltage using:

$$W = 1.45 \times C \times V_{II}^2$$

Where:

W: Maximum energy stored in the DC bus (Joules)

C: Total DC bus capacitance (Farads)

V_{II}: Nominal line-to-line supply voltage (Volts)

NOTE

20% over-rate has been applied to allow for component tolerances and a further 10% over-rate has been applied to allow for supply variations.

3. Calculate the minimum number of resistors required to meet this energy value (round up to the nearest one), (Table 6-12). Then calculate the series parallel arrangement of resistors to produce the total resistor value in the required range (Table 6-12 and Table 6-13).
4. Calculate the peak supply current and select the MCB. Ensure that the peak current is less than that shown in Table 6-10. If the current is too high, then choose a series / parallel arrangement of resistors that will give a higher resistance and therefore a lower peak current.

$$I_{pk} = \frac{1.56 \times V_{II}}{R}$$

Where:

R: Total resistance of the soft-start resistor network. (Ohms)

I_{pk}: Peak supply current (Amps)

The MCB must have a current rating no less than 13 x less than this peak current to avoid nuisance trips. See Figure 6-15. MCBs available from Control Techniques can be found in Table 6-13.

5. Calculate the start-up time.

$$t_{\text{charge}} = 5 \times R \times C$$

Where:

t_{charge} : Approximate time to charge the DC bus.

R: Total resistance of the soft-start resistor network. (Ohms)

Start-up time should not be less than 0.5s and generally should not be more than 4s although this upper limit can be chosen by the user. 1s charge time is recommended.

6. Calculate the supply current at 0.1s, 0.2s, 0.4s, 0.7s and 1s.

$$I(t) = I_{pk} \times e^{\left(\frac{-t}{R \times C}\right)}$$

Where:

I(t): Peak current at time = t seconds.

Note that these calculation times are based on a 1s charge time. If the charge time not 1s, then the time steps can be calculated as follows.

Time interval
t1 = 0.1 x t _{charge}
t2 = 0.2 x t _{charge}
t3 = 0.4 x t _{charge}
t4 = 0.7 x t _{charge}
t5 = t _{charge}

7. Compare the supply currents at time t1 to t5 with the circuit breaker worst-case trip characteristic. Make sure that the current is less than the trip curve for all the time intervals calculated.

8. Check that the MCB prevents the resistor from overheating. An example will best illustrate the process.

Example:

SPMD1204 on a 230Vac +10% line power supply.

Step 1

C = 13200µF

Step 2

$$W = 1.45 \times 13200 \times 10^{-6} \times 230^2$$

$$W = 1013J$$

Step 3

Select resistor CT part number 1270-2483

Number of resistors required = 1013 / 1700 = 0.6

One resistor is sufficient at 48Ω, but if a shorter start-up time is required, then two resistors can be used in parallel giving 24Ω.

Step 4

Peak supply current is:

$$I_{pk} = \frac{1.56 \times 230}{24} = 14.95A_{pk}$$

A 1.2A MCB is required.

Step 5

Calculate the start-up time:

$$t_{\text{charge}} = 5 \times 24 \times 13200 \times 10^{-6} = 1.58s$$

A start-up time of 1.58s is acceptable.

Step 6

Calculate the supply current throughout the start-up time.

Time s	Supply Current Apk
0.1	10.9
0.2	8.0
0.4	4.2
0.7	1.6
1	0.6

Step 7

Comparing the data from step 6 with the tripping characteristic of the selected MCB, Figure 6-11, shows that the supply current is less than the MCB trip curves for each time interval.

Step 8

To check that the MCB prevents the resistor from overheating assume a system fault which results in a continuous power of 10 x the nominal power being dissipated by the resistor.

Resistor selected earlier was 2 x 1270-2483 which is 24Ω 296W
10 x nominal power = 2960W

$$I = \sqrt{\frac{P}{R}} \text{ the current needed to give 10 x power is}$$

$$I_{P10} = \sqrt{\frac{2960}{24}} = 11.1A$$

But the MCB current rating from step 4 was 1.2A

11.1A is 9 x the rated current

From Figure 6-11 the MCB will trip in approximately 3s

From the resistor manufacturer's data shown in Figure 6-10, 10 x rated power can be withstood for 5s

The MCB will protect the resistor. Design complete.

6.5.2 Design data

Capacitance

DC bus capacitance values and peak allowable supply current for Unidrive SPM drives are as follows.

Table 6-10 DC bus capacitance and peak supply current values

Model	Total DC bus capacitance µF	Maximum allowable peak supply current A
SPMA14X1	4400	75
SPMA14X2	5500	
SPMA16X1	2200	52
SPMA16X2		
SPMD12X1	8800	75
SPMD12X2	11000	
SPMD12X3	13200	
SPMD12X4		
SPMD14X1	4400	52
SPMD14X2	5500	
SPMD14X3	6600	70
SPMD14X4		
SPMD16X1	2200	91
SPMD16X2		
SPMD16X3	2933	
SPMD16X4		

Softstart resistor

The following resistors can be configured in series and parallel arrangements to meet the requirements.

Table 6-11 Available resistors

Resistor value Ω	Power rating W	Energy rating J	CT part number	P x R product v ²
150	53	170	1270-3157	7950
48	148	1,700	1270-2483	7104

If it is difficult to find a suitable resistor then a resistor with a higher P x R product may have to be used.

The P x R product of the resistor should be larger than:

$$P \times R = \frac{V_{II}^2}{10.9}$$

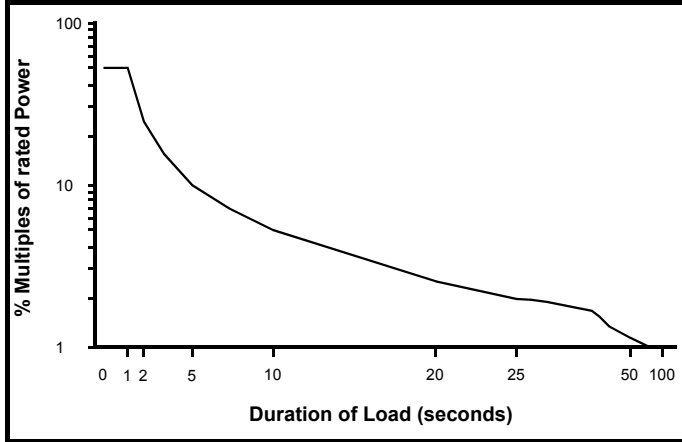
Table 6-12 Allowable Softstart resistor range

CT part number	Min. Resistance Ω	Max. Resistance Ω
SPMA14X1 SPMD14X1	30	300
SPMD12X1 SPMA14X2 SPMD14X2	24	240
SPMA16X1 SPMA16X2 SPMD16X1 SPMD16X2	105	1051
SPMD12X2 SPMD14X3 SPMD14X4	20	200
SPMD16X3 SPMD16X4	79	789
SPMD12X3 SPMD12X4	17	168

For multiple modules, divide the resistance by the number of modules.

For example the minimum resistance for 3 x SPMD1404 is 6.7Ω.

Figure 6-10 Example of resistor overload characteristic



Circuit Breaker

Protection for the softstart circuit must be provided. The recommended protection is to use a miniature circuit breaker (MCB) having a thermal magnetic trip. The thermal part of the tripping mechanism protects against a high impedance short circuit and the magnetic part of the trip protects the resistor against a direct short circuit.

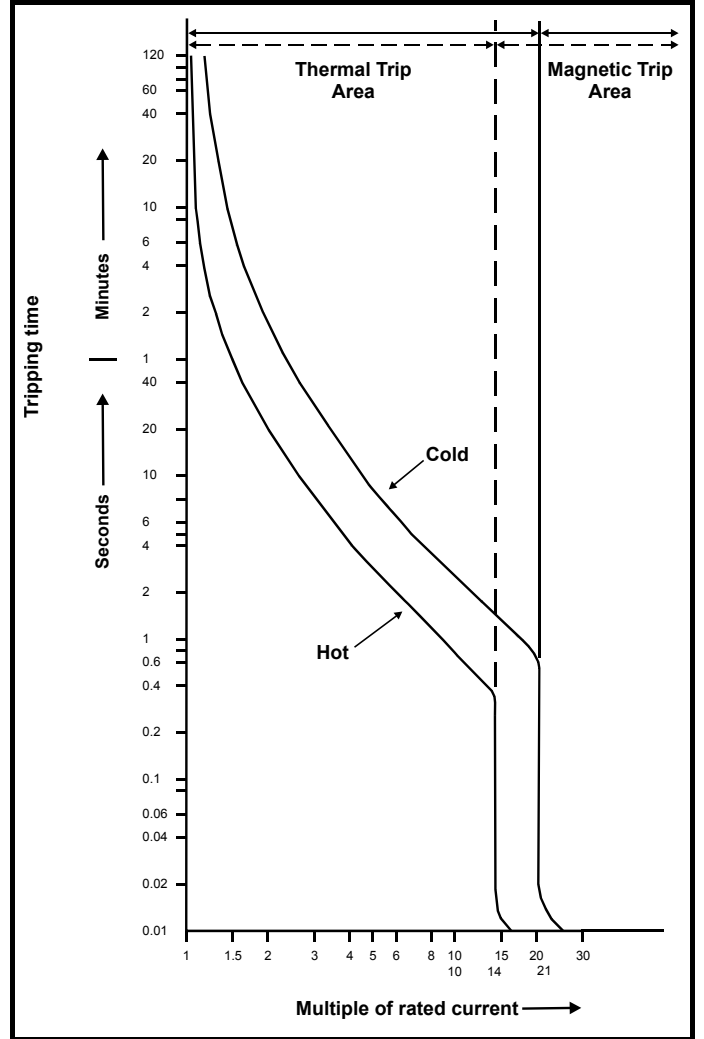
Many different MCBs are possible, e.g.:

- GB2CB range from Telemecanique
- S 281-K range from ABB

Table 6-13 MCBs available from Control Techniques

CT part number	Rated current	Rated voltage	No of poles
4133-0117	0.3	480	1
4133-0217	1	480	1
4133-0277	2	480	1

Figure 6-11 Example of tripping characteristic



6.6 Heatsink fan supply

The heatsink fan on Unidrive SPMA and SPMD requires an external 24Vdc supply. The connections for the heatsink fan supply must be made to the upper terminal connector near to the W phase output on the drive. Figure 6-12 shows the position of the heatsink fan supply connections.

Figure 6-12 Location of the heatsink fan supply connections (SPMA & SPMD)

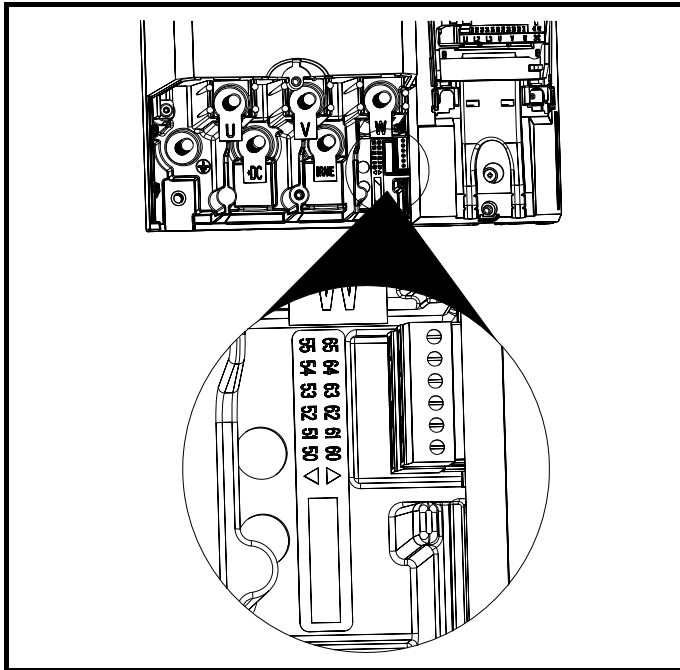
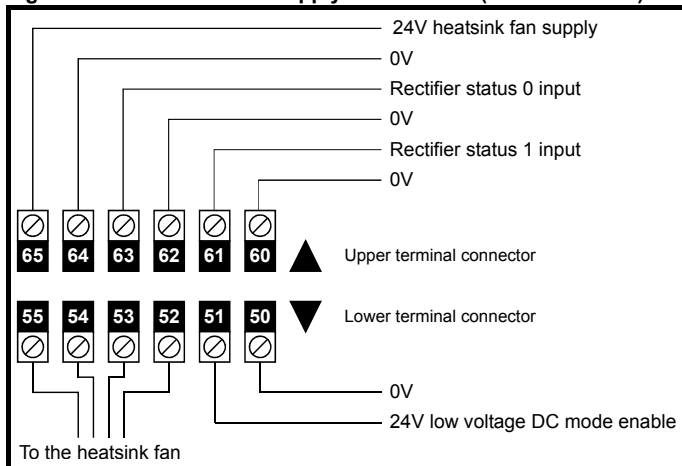


Figure 6-13 Heatsink fan supply connections (SPMA & SPMD)



The heatsink fan supply requirements are as follows:

Nominal voltage:	24Vdc
Minimum voltage:	23.5Vdc
Maximum voltage:	27Vdc
Current drawn:	
SPMA (all)	3.3A
SPMD12X1 to 12X4	3.3A
SPMD14X1 and 14X2	3.3A
SPMD14X3 and 14X4	4.5A
SPMD16X1 and 16X2	3.3A
SPMD16X3 and 16X4	4.5A
Recommended power supply:	24V, 5A
Recommended fuse:	
SPMA (all)	4A fast blow ($I^2t < 20A^2s$)
SPMD12X1 to 12X4	4A fast blow ($I^2t < 20A^2s$)
SPMD14X1 and 14X2	4A fast blow ($I^2t < 20A^2s$)
SPMD14X3 and 14X4	6.3A fast blow ($I^2t < 100A^2s$)

SPMD16X1 and 16X2	4A fast blow ($I^2t < 20A^2s$)
SPMD16X3 and 16X4	6.3A fast blow ($I^2t < 100A^2s$)

NOTE

The recommended wire gauge for the fan supply and low voltage mode enable is 1mm² wire (16AWG).

For further information on the operation of the heatsink fan, refer to section 5.9 *Heatsink fan operation* on page 54.

6.7 Control 24Vdc supply

The 24Vdc input on the Unidrive SPMA and SPMD has three main functions.

- It can be used to supplement the drive's own internal 24V when multiple SM-Universal Encoder Plus, or SM-I/O Plus modules are being used and the current drawn by these modules is greater than the drive can supply. (If too much current is drawn from the drive, the drive will initiate a 'PS.24V' trip)
- It can be used as a back-up power supply to keep the control circuits of the drive powered up when the line power supply is removed. This allows any fieldbus modules, application modules, encoders or serial communications to continue to operate.
- It can be used to commission the drive when line power voltages are not available, as the display operates correctly. However, the drive will be in the UV trip state unless either line power or low voltage DC operation is enabled, therefore diagnostics may not be possible. (Power down save parameters are not saved when using the 24V back-up power supply input.)

The working voltage range of the 24V power supply is as follows:

Maximum continuous operating voltage:	30.0 V
Minimum continuous operating voltage:	19.2 V
Nominal operating voltage:	24.0 V
Minimum start up voltage:	21.6 V
Maximum power supply requirement at 24V:	60 W
Recommended fuse:	3 A, 50 Vdc

Minimum and maximum voltage values include ripple and noise. Ripple and noise values must not exceed 5%.

6.8 Low voltage DC power supply

The Unidrive SPMA and SPMD can be operated from low voltage DC supplies, nominally 24Vdc (control) and 48Vdc (power). The low voltage DC power operating mode is designed either, to allow for motor operation in an emergency back-up situation following failure of the AC supply, for example in elevators; or to limit the speed of a servo motor during commissioning/start-up of equipment, for example a robot cell.

The working voltage range of the low voltage DC power supply is as follows:

Unidrive SPMD (200V drives)

Minimum continuous operating voltage:	36V
Nominal continuous operating voltage:	48 to 72V
Maximum braking IGBT turn on voltage:	95.4V
Maximum over voltage trip threshold:	104.4V

Unidrive SPMA and SPMD (400V and 690V drives)

Minimum continuous operating voltage:	36V
Nominal continuous operating voltage:	48 to 96V
Maximum braking IGBT turn on voltage:	127.2V
Maximum over voltage trip threshold:	139.2V

NOTE

The nominal low voltage supply level is set by the user in Pr 6.46. The default setting is 48V for all drive sizes.

The over voltage trip threshold and braking IGBT turn on voltage are scaled from this value as follows:

Brake IGBT turn on =	$1.325 \times \text{Pr } 6.46 \text{ (V)}$
Over voltage trip =	$1.45 \times \text{Pr } 6.46 \text{ (V)}$

For application data, refer to the *Unidrive SP Low Voltage DC Installation Guide*.

6.9 Ratings

The input current is affected by the supply voltage and impedance.

Typical input current

The values of typical input current are given to aid calculations for power flow and power loss.

The values of typical input current are stated for a balanced supply.

Maximum continuous input current

The values of maximum continuous input current are given to aid the selection of cables and fuses. These values are stated for the worst case condition with the unusual combination of stiff supply with bad balance. The value stated for the maximum continuous input current would only be seen in one of the input phases. The current in the other two phases would be significantly lower.

The values of maximum input current are stated for a supply with a 2% negative phase-sequence imbalance and rated at the supply fault current given in Table 6-14.

Table 6-14 Supply fault current used to calculate maximum input currents

Model	Symmetrical fault level (kA)
SPMA	100
SPMD	
SPMC/U	



Fuse protection must be provided at the power input.

Table 6-15 Unidrive SPMA input current, fuse and cable size ratings

Model	Typical input current A	Maximum input current A	Fuse option 1 IEC class gR <u>OR</u> Ferraz HSJ		Fuse option 2 HRC <u>AND</u> Semi-conductor		Typical cable size				
			IEC class gR A	North America: Ferraz HSJ A	HRC IEC class gG UL class J A	Semi-conductor IEC class aR A	AC input		Motor output		Cable installation method
							mm ²	AWG	mm ²	AWG	
SPMA14X1	224	241	315	300	250	315	2 x 70	2 x 2/0	2 x 70	2 x 2/0	B2
SPMA14X2	247	266	315	300	315	350	2 x 120	2 x 4/0	2 x 120	2 x 4/0	B2
SPMA16X1	128	138	200	200	200	200	2 x 50	2 x 1	2 x 50	2 x 1	B2
SPMA16X2	144	156	200	200	200	200	2 x 50	2 x 1	2 x 50	2 x 1	B2

Table 6-16 Unidrive SPMD input current, fuse and cable size ratings

Model	Typical DC input current A	Maximum DC input current A	Maximum DC input voltage for cable rating V	DC fuse IEC class aR A	Typical cable size				
					DC input		Motor output		Cable installation method
					mm ²	AWG	mm ²	AWG	
SPMD12X1	202	343	400	400	2 x 70	2 x 2/0	2 x 70	2 x 2/0	B2
SPMD12X2	261	400	400	560	2 x 95	2 x 4/0	2 x 120	2 x 4/0	B2
SPMD12X3	338	457	400	560	2 x 120	2 x 4/0	2 x 120	2 x 4/0	B2
SPMD12X4	372	552	400	560	2 x 120	2 x 4/0	2 x 120	2 x 4/0	B1 or C
SPMD14X1	222	343	800	400	2 x 70	2 x 2/0	2 x 70	2 x 2/0	B2
SPMD14X2	268	400	800	560	2 x 95	2 x 4/0	2 x 120	2 x 4/0	B2
SPMD14X3	314	457	800	560	2 x 120	2 x 4/0	2 x 120	2 x 4/0	B2
SPMD14X4	379	552	800	560	2 x 120	2 x 4/0	2 x 120	2 x 4/0	B1 or C
SPMD16X1	135	191	1150	250	2 x 95	2 x 4/0	2 x 50	2 x 1	B2
SPMD16X2	157	240	1150	315	2 x 120	2 x 4/0	2 x 50	2 x 1	B2
SPMD16X3	184	275	1150	350	2 x 120	2 x 4/0	2 x 50	2 x 1	B2
SPMD16X4	209	323	1150	400	2 x 120	2 x 4/0	2 x 50	2 x 1	B2

NOTE

Fuse ratings are for a DC supply or paralleled DC bus arrangements. When supplied by a single SPMC or SPMU of the correct rating, the AC input fuses provide protection for the drive and no DC fuse is required.

Table 6-17 Unidrive SPMC/U 400V input current, fuse and cable size rating

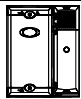
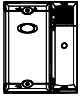
Model	Maximum input current A	Typical DC output current A	Semiconductor fuse in series with HRC fuse		Typical cable size				
			HRC IEC Class gG UL class J A	Semi-conductor IEC class aR A	AC input		DC output cable		Cable installation method
					mm ²	AWG	mm ²	AWG	
 SPMC/U1402	344	379	450	400	2 x 120	2 x 4/0	2 x 120	2 x 4/0	B1 or C
SPMC/U2402	2 x 312	2 x 345	450	400	2 x 120	2 x 4/0	2 x 120	2 x 4/0	B1 or C

Table 6-18 Unidrive SPMC/U 690V input current, fuse and cable size ratings

Model	Maximum input current A	Typical DC output current A	Semiconductor fuse in series with HRC fuse		Typical cable size					
			HRC IEC Class gG UL class J A	Semi-conductor IEC class aR A	AC input		DC output cable		Cable installation method	
					mm ²	AWG	mm ²	AWG		
	SPMC/U1601	195	209	250	250	2 x 70	2 x 2/0	2 x 120	2 x 4/0	B2
	SPMC/U2602	2 x 173	2 x 185	250	250	2 x 70	2 x 2/0	2 x 120	2 x 4/0	B2

NOTE

The cable sizes noted in Table 6-15, Table 6-16, Table 6-17 and Table 6-18 are typical cable sizes based on UL508C and IEC60364-5-52:2001.

Maximum cable sizes are 2 x 240mm² or 2 x 400kcmil per pole. The user will have to decide what size of cable to use in any given application based on the local wiring regulations. Use of high temperature cables that are thinner than those stated in the typical cable chart maybe possible, contact the supplier of the drive for advice.

Installation method (ref:IEC60364-5-52:2001)

- B1 - Separate cables in conduit
- B2 - Multicore cable in conduit
- C - Multicore cable in free air

NOTE

Cable sizes are from IEC60364-5-52:2001 table A.52.C with correction factor for 40°C ambient of 0.87 (from table A52.14) for cable installation method B2 (multicore cable in conduit).

Cable size may be reduced if a different installation method is used, or if the ambient temperature is lower.

NOTE

Owing to the high level of current on the input of SPMD1404 and the output of SPMC1402 and SPMU1402, the cable installation method must be B1 or C rather than B2 if the ambient is 40°C. Installation method B1 is separate cables in conduit and installation method C is multicore cable in free air.


The recommended cable sizes above are only a guide. The mounting and grouping of cables affects their current-carrying capacity, in some cases smaller cables may be acceptable but in other cases a larger cable is required to avoid excessive temperature or voltage drop. Refer to local wiring regulations for the correct size of cables.

NOTE

The recommended output cable sizes assume that the motor maximum current matches that of the drive. Where a motor of reduced rating is used the cable rating may be chosen to match that of the motor. To ensure that the motor and cable are protected against over-load, the drive must be programmed with the correct motor rated current.

NOTE

UL listing is dependent on the use of the correct type of UL-listed fuse. See Chapter 16 *UL Listing Information* on page 294 for sizing information.



Fuses
The AC supply to the drive must be installed with suitable protection against overload and short-circuits. Table 6-15, Table 6-16, Table 6-17 and Table 6-18 show recommended fuse ratings. Failure to observe this requirement will cause risk of fire.

A fuse or other protection must be included in all live connections to the AC supply.

Fuse types

The fuse voltage rating must be suitable for the drive supply voltage.

IEC Fuse types

- IEC class gG - Full range breaking capability in general application. Slow acting.
- IEC class gR - Dual rated: semiconductor protection (ultra-fast acting) and cable protection.
- IEC class aR - Semiconductor Protection, fast acting. Provides no protection from slow, small overloads, so cable must be protected by using a gG fuse or circuit breaker.
- HRC- High Rupturing Capacity – Denotes the ability of the fuse link to interrupt extremely high fault currents.

North American Fuse Types

- UL class J - Full range breaking capability in general application. Slow acting. Up to 600V only.
- Ferraz HSJ -High speed class J fuses. Dual rated: semiconductor protection (ultra-fast acting) and cable protection. Up to 600V only and only from Ferraz.

Ground connections

The drive must be connected to the system ground of the AC supply. The ground wiring must conform to local regulations and codes of practice.


6.9.1 Main AC supply contactor

The recommended AC supply contactor type is AC1.

6.10 Output circuit and motor protection

The output circuit has fast-acting electronic short-circuit protection which limits the fault current to typically no more than five times the rated output current, and interrupts the current in approximately 20µs. No additional short-circuit protection devices are required.

The drive provides overload protection for the motor and its cable. For this to be effective, Pr **0.46 Motor rated current** must be set to suit the motor.



Pr **0.46 Motor rated current** must be set correctly to avoid a risk of fire in the event of motor overload.

There is also provision for the use of a motor thermistor to prevent overheating of the motor, e.g. due to loss of cooling.

6.10.1 Cable types and lengths

Since capacitance in the motor cable causes loading on the output of the drive, ensure the cable length does not exceed the values given in Table 6-19 and Table 6-20.

Use 105°C (221°F) (UL 60/75°C temp rise) PVC-insulated cable with copper conductors having a suitable voltage rating, for the following power connections:

- AC supply to external EMC filter (when used)
- AC supply (or external EMC filter) to drive
- Drive to motor
- Drive to braking resistor

Table 6-19 Maximum motor cable lengths (Unidrive SPMA)

Model	Maximum permissible motor cable length for each of the following frequencies		
	3kHz	4kHz	6kHz
SPMA14X1	250m (820ft)	185m (607ft)	125m (410ft)
SPMA14X2			
SPMA16X1			
SPMA16X2			

Table 6-20 Maximum motor cable lengths (Unidrive SPMD)

Model	Maximum permissible motor cable length for each of the following frequencies		
	3kHz	4kHz	6kHz
SPMD12X1	250m (820ft)	185m (607ft)	125m (410ft)
SPMD12X2			
SPMD12X3			
SPMD12X4			
SPMD14X1			
SPMD14X2			
SPMD14X3			
SPMD14X4			
SPMD16X1			
SPMD16X2			
SPMD16X3			
SPMD16X4			

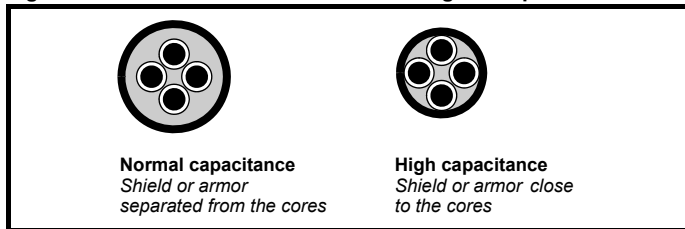
- Cable lengths in excess of the specified values may be used only when special techniques are adopted; refer to the supplier of the drive.
- The default switching frequency is 3kHz for open-loop and closed-loop vector and 6kHz for servo.

High-capacitance cables

The maximum cable length is reduced from that shown in Table 6-19 and Table 6-20 if high capacitance motor cables are used.

Most cables have an insulating jacket between the cores and the armor or shield; these cables have a low capacitance and are recommended. Cables that do not have an insulating jacket tend to have high capacitance; if a cable of this type is used, the maximum cable length is half that quoted in the tables. (Figure 6-14 shows how to identify the two types.)

Figure 6-14 Cable construction influencing the capacitance



The cable used for Table 6-19 and Table 6-20 is shielded and contains four cores. Typical capacitance for this type of cable is 130pF/m (i.e. from one core to all others and the shield connected together).

6.10.2 Motor winding voltage

The PWM output voltage can adversely affect the inter-turn insulation in the motor. This is because of the high rate of change of voltage, in conjunction with the impedance of the motor cable and the distributed nature of the motor winding.

For normal operation with AC supplies up to 500Vac and a standard motor with a good quality insulation system, there is no need for any special precautions. In case of doubt the motor supplier should be consulted.

Special precautions are recommended under the following conditions, but only if the motor cable length exceeds 10m:

- AC supply voltage exceeds 500V
- DC supply voltage exceeds 670V
- Operation of 400V drive with continuous or very frequent sustained braking
- Multiple motors connected to a single drive

For multiple motors, the precautions given in section 6.10.3 *Multiple motors* should be followed.

For the other cases listed, it is recommended that an inverter-rated motor be used. This has a reinforced insulation system intended by the manufacturer for repetitive fast-rising pulsed voltage operation.

Users of 575V NEMA rated motors should note that the specification for inverter-rated motors given in NEMA MG1 section 31 is sufficient for motoring operation but not where the motor spends significant periods braking. In that case an insulation peak voltage rating of 2.2kV is recommended.

If it is not practical to use an inverter-rated motor, an output choke (inductor) should be used. The recommended type is a simple iron-cored component with a reactance of about 2%. The exact value is not critical. This operates in conjunction with the capacitance of the motor cable to increase the rise-time of the motor terminal voltage and prevent excessive electrical stress.

6.10.3 Multiple motors

Open-loop only

If the drive is to control more than one motor, one of the fixed V/F modes should be selected (Pr 5.14 = Fd or SrE). Make the motor connections as shown in Figure 6-15 and Figure 6-16. The maximum cable lengths in Table 6-19 and Table 6-20 apply to the sum of the total cable lengths from the drive to each motor.

It is recommended that each motor is connected through a protection relay since the drive cannot protect each motor individually. For Δ connection, a sinusoidal filter or an output inductor must be connected as shown in Figure 6-16, even when the cable lengths are less than the maximum permissible. For details of inductor sizes refer to the supplier of the drive.

Figure 6-15 Preferred chain connection for multiple motors

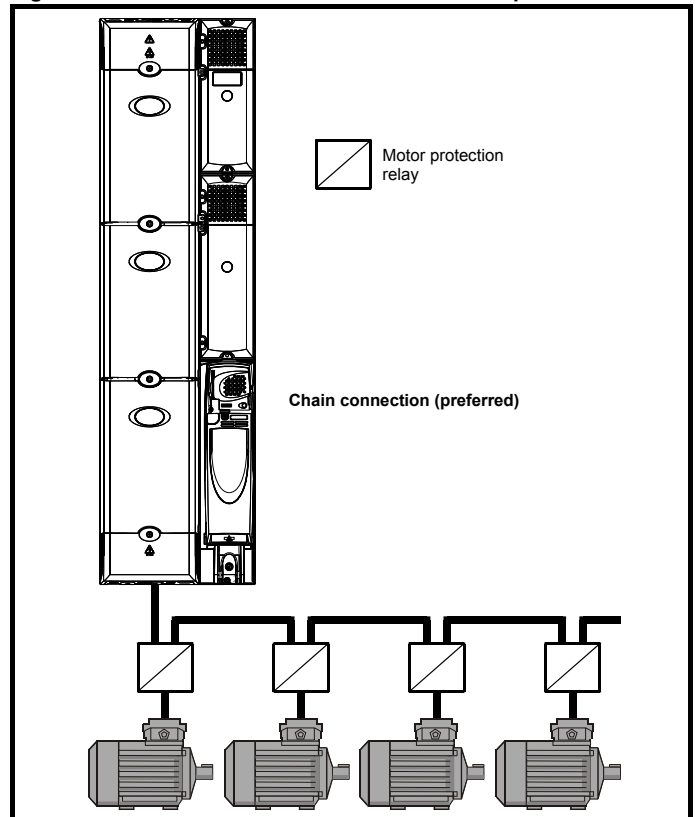
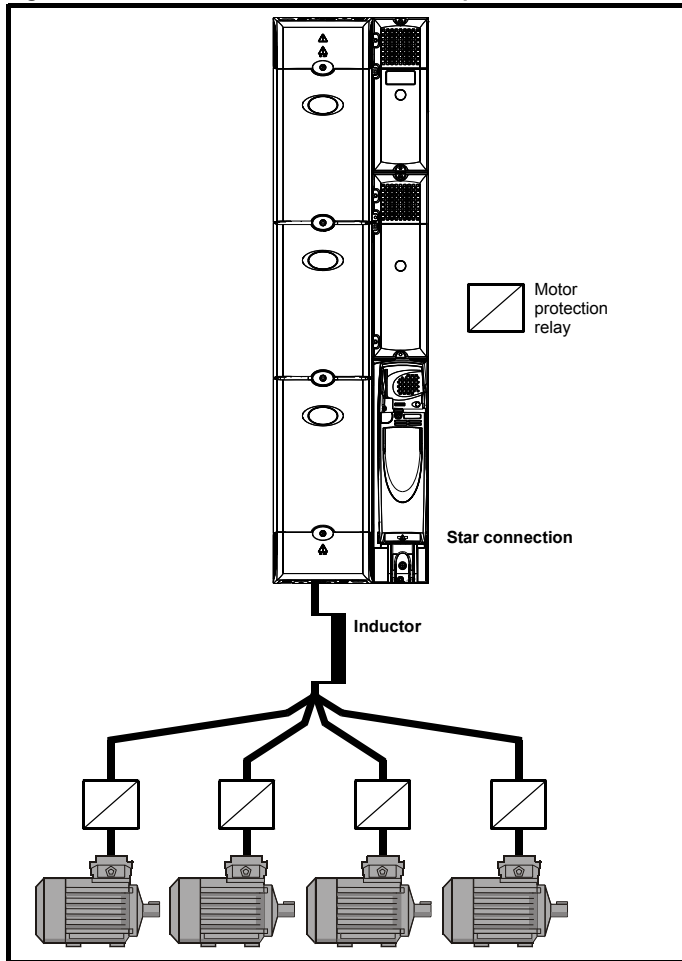


Figure 6-16 Alternative connection for multiple motors



6.10.4 λ / Δ motor operation

The voltage rating for λ and Δ connections of the motor should always be checked before attempting to run the motor.

The default setting of the motor rated voltage parameter is the same as the drive rated voltage, i.e.

400V drive 400V rated voltage

A typical 3 phase motor would be connected in λ for 400V operation or Δ for 200V operation, however, variations on this are common e.g.

λ 690V Δ 400V

Incorrect connection of the windings will cause severe under or over fluxing of the motor, leading to a very poor output torque or motor saturation and overheating respectively.

6.10.5 Output contactor



If the cable between the drive and the motor is to be interrupted by a contactor or circuit breaker, ensure that the drive is disabled before the contactor or circuit breaker is opened or closed. Severe arcing may occur if this circuit is interrupted with the motor running at high current and low speed.

A contactor is sometimes required to be installed between the drive and motor for safety purposes.

The recommended motor contactor is the AC3 type.

Switching of an output contactor should only occur when the output of the drive is disabled.

Opening or closing of the contactor with the drive enabled will lead to:

1. OI.AC trips (which cannot be reset for 10 seconds)
2. High levels of radio frequency noise emission
3. Increased contactor wear and tear

The Drive Enable terminal (T31) when opened provides a SAFE TORQUE OFF (SECURE DISABLE) function. This can in many cases replace output contactors.

For further information see section 6.19 *SAFE TORQUE OFF (SECURE DISABLE)* on page 99.

6.11 Braking

Braking occurs when the drive is decelerating the motor, or is preventing the motor from gaining speed due to mechanical influences. During braking, energy is returned to the drive from the motor.

When the motor is being braked by the drive, the maximum regenerated power that the drive can absorb is equal to the power dissipation (losses) of the drive.

When the regenerated power is likely to exceed these losses, the DC bus voltage of the drive increases. Under default conditions, the drive brakes the motor under PI control, which extends the deceleration time as necessary in order to prevent the DC bus voltage from rising above a user defined set-point.

If the drive is expected to rapidly decelerate a load, or to hold back an overhauling load, a braking resistor must be installed.

Table 6-21 shows the DC voltage level at which the drive turns on the braking transistor.

Table 6-21 Braking transistor turn on voltage

Drive voltage rating	DC bus voltage level
200V	390V
400V	780V
690V	1120V

NOTE

When a braking resistor is used, Pr 0.15 should be set to FAST ramp mode.



High temperatures

Braking resistors can reach high temperatures. Locate braking resistors so that damage cannot result. Use cable having insulation capable of withstanding high temperatures.

6.11.1 External braking resistor



Overload protection

When an external braking resistor is used, it is essential that an overload protection device is incorporated in the braking resistor circuit; this is described in Figure 6-17 on page 78.

When a braking resistor is to be mounted outside the enclosure, ensure that it is mounted in a ventilated metal housing that will perform the following functions:

- Prevent inadvertent contact with the resistor
- Allow adequate ventilation for the resistor

When compliance with EMC emission standards is required, external connection requires the cable to be armored or shielded, since it is not fully contained in a metal enclosure. See section 6.13.5 *Compliance with generic emission standards* on page 84 for further details.

Internal connection does not require the cable to be armored or shielded.

Minimum resistances and power ratings

Table 6-22 Minimum resistance values and peak power rating for the braking resistor at 40°C (104°F)

Model	Minimum resistance* Ω	Instantaneous power rating** kW	Average power for 60s kW
SPMA1401	5	122	122
SPMA1402	5	122	122
SPMA1601	10	125	113
SPMA1602	10	125	125
SPMD1201	2.5	61	61
SPMD1202	2.5	61	61
SPMD1203	1.9	80	80
SPMD1204	1.9	80	80
SPMD1401	5	122	122
SPMD1402	5	122	122
SPMD1403	3.8	160	160
SPMD1404	3.8	160	160
SPMD1601	10	125	113
SPMD1602	10	125	125
SPMD1603	6.2	202	165
SPMD1604	6.2	202	198

* Resistor tolerance: ±10%

** Continuous rating if drive is part of a common DC bus system. In parallel systems without the DC bus connected, the resistors must be matched to within ±5%.

For high-inertia loads or under continuous braking, the *continuous power* dissipated in the braking resistor may be as high as the power rating of the drive. The total *energy* dissipated in the braking resistor is dependent on the amount of energy to be extracted from the load.

The instantaneous power rating refers to the short-term maximum power dissipated during the *on* intervals of the pulse width modulated braking control cycle. The braking resistor must be able to withstand this dissipation for short intervals (milliseconds). Higher resistance values require proportionately lower instantaneous power ratings.

In most applications, braking occurs only occasionally. This allows the continuous power rating of the braking resistor to be much lower than the power rating of the drive. It is essential, though, that the instantaneous power rating and energy rating of the braking resistor are sufficient for the most extreme braking duty that is likely to be encountered.

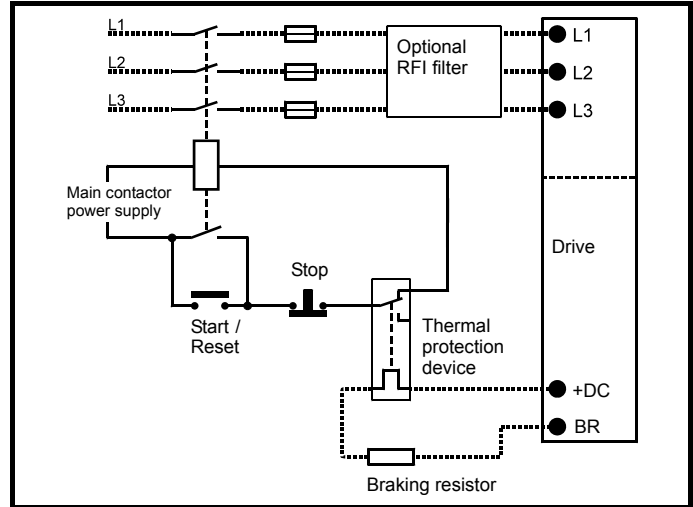
Optimization of the braking resistor requires a careful consideration of the braking duty.

Select a value of resistance for the braking resistor that is not less than the specified minimum resistance. Larger resistance values may give a cost saving, as well as a safety benefit in the event of a fault in the braking system. Braking capability will then be reduced, which could cause the drive to trip during braking if the value chosen is too large.

Thermal protection circuit for the braking resistor

The thermal protection circuit must disconnect the AC supply from the drive if the resistor becomes overloaded due to a fault. Figure 6-17 shows a typical circuit arrangement.

Figure 6-17 Typical protection circuit for a braking resistor



See Figure 6-1 and Figure 6-2 on page 65 for the location of the +DC and braking resistor connections.

6.11.2 Braking resistor software overload protection

The Unidrive SPM software contains an overload protection function for a braking resistor. In order to enable and set-up this function, it is necessary to enter two values into the drive:

- Resistor short-time overload time (Pr 10.30)
- Resistor minimum time between repeated short-time overloads (Pr 10.31)

This data should be obtained from the manufacturer of the braking resistors.

Pr 10.39 gives an indication of braking resistor temperature based on a simple thermal model. Zero indicates the resistor is close to ambient and 100% is the maximum temperature the resistor can withstand. An OVLd alarm is given if this parameter is above 75% and the braking IGBT is active. An It.br trip will occur if Pr 10.39 reaches 100%, when Pr 10.37 is set to 0 (default value) or 1.

If Pr 10.37 is equal to 2 or 3 an It.br trip will not occur when Pr 10.39 reaches 100%, but instead the braking IGBT will be disabled until Pr 10.39 falls below 95%. This option is intended for applications with parallel connected DC buses where there are several braking resistors, each of which cannot withstand full DC bus voltage continuously. With this type of application it is unlikely the braking energy will be shared equally between the resistors because of voltage measurement tolerances within the individual drives. Therefore with Pr 10.37 set to 2 or 3, then as soon as a resistor has reached its maximum temperature the drive will disable the braking IGBT, and another resistor on another drive will take up the braking energy. Once Pr 10.39 has fallen below 95% the drive will allow the braking IGBT to operate again.

See the *Unidrive SP Advanced User Guide* for more information on Pr 10.30, Pr 10.31, Pr 10.37 and Pr 10.39.

This software overload protection should be used in addition to an external overload protection device.

Braking Resistor Connections

This section details the rules that govern the connection of braking resistors to a parallel application. The braking resistor should be connected across the brake and +DC terminals.

1. The brake terminals must not be connected together. Each module must have its own resistor if required.
2. The resistor connected to each module must not have a value less than the recommended minimum value for that module size.

- The total power rating must not be less than the maximum expected regenerative power.
- If the DC buses are separate and the modules are all the same rating, the brake resistors must match to better than 5% at all power flows. (If the temperature coefficient and/or temperature rise of the resistor is significant then the cooling must also match to ensure the resistors are at similar temperatures and hence similar resistance values.)
- If the DC buses are common the brake resistors do not need to match. However to use the drive's brake resistor protection algorithm it must be set up to protect the most vulnerable resistor.

6.12 Ground leakage

The ground leakage current depends upon whether the internal EMC filter is installed. The drive is supplied with the filter installed. Instructions for removing the internal filter are given in Figure 6-19 on page 80.

With internal filter installed:

56mA AC at 400V 50Hz (proportional to supply voltage and frequency)
30µA DC (10MΩ)

With internal filter removed:

<1mA

Note that in both cases there is an internal voltage surge protection device connected to ground. Under normal circumstances this carries negligible current.



When the internal filter is installed the leakage current is high. In this case a permanent fixed ground connection must be provided, or other suitable measures taken to prevent a safety hazard occurring if the connection is lost.

6.12.1 Use of residual current device (RCD)

There are three common types of ELCB / RCD:

- AC - detects AC fault currents
- A - detects AC and pulsating DC fault currents (provided the DC current reaches zero at least once every half cycle)
- B - detects AC, pulsating DC and smooth DC fault currents
 - Type AC should never be used with drives.
 - Type A can only be used with single phase drives
 - Type B must be used with three phase drives



Only type B ELCB / RCD are suitable for use with 3 phase inverter drives.

If an external EMC filter is used, a delay of at least 50ms should be incorporated to ensure spurious trips are not seen. The leakage current is likely to exceed the trip level if all of the phases are not energized simultaneously.

6.13 EMC (Electromagnetic compatibility)

The requirements for EMC are divided into three levels in the following three sections:

Section 6.13.3, General requirements for all applications, to ensure reliable operation of the drive and minimise the risk of disturbing nearby equipment. The immunity standards specified in section 11 will be met, but no specific emission standards. Note also the special requirements given in *Surge immunity of control circuits - long cables and connections outside a building* on page 86 for increased surge immunity of control circuits where control wiring is extended.

Section 6.13.4, Requirements for meeting the EMC standard for power drive systems, IEC61800-3 (EN61800-3).

Section 6.13.5, Requirements for meeting the generic emission standards for the industrial environment, IEC61000-6-4, EN61000-6-4, EN50081-2.

The recommendations of section 6.13.3 will usually be sufficient to avoid causing disturbance to adjacent equipment of industrial quality. If particularly sensitive equipment is to be used nearby, or in a non-industrial environment, then the recommendations of section 6.13.4 or section 6.13.5 should be followed to give reduced radio-frequency emission.

In order to ensure the installation meets the various emission standards described in:

- The EMC data sheet available from the supplier of the drive
- The Declaration of Conformity at the front of this manual
- Chapter 14 *Technical Data* on page 263

...the correct external EMC filter must be used and all of the guidelines in *section 6.13.3 General requirements for EMC* and *section 6.13.5 Compliance with generic emission standards* must be followed.



High ground leakage current

When an EMC filter is used, a permanent fixed ground connection must be provided which does not pass through a connector or flexible power cord. This includes the internal EMC filter.

NOTE

The installer of the drive is responsible for ensuring compliance with the EMC regulations that apply where the drive is to be used.

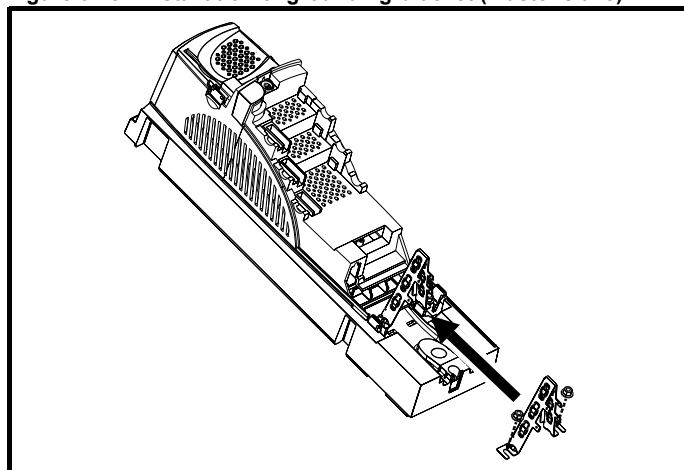
6.13.1 Grounding hardware

The master/slave interface is supplied with a grounding clamp and a grounding bracket to facilitate EMC compliance. They provide a convenient method for direct grounding of cable shields without the use of "pig-tails". Cable shields can be bared and clamped to the grounding bracket using metal clips or clamps¹ (not supplied) or cable ties. Note that the shield must in all cases be continued through the clamp to the intended terminal on the drive, in accordance with the connection details for the specific signal.

¹ A suitable clamp is the Phoenix DIN rail mounted SK14 cable clamp (for cables with a maximum outer diameter of 14mm).

See Figure 6-18 for details on installing the grounding bracket.

Figure 6-18 Installation of grounding bracket (master/slave)




Loosen the ground connection nuts and slide the grounding bracket in the direction shown. Once in place, re-tighten the ground connection nuts.

A faston tab is located on the grounding bracket for the purpose of connecting the drive 0V to ground should the user require to do so.

6.13.2 Internal EMC filter

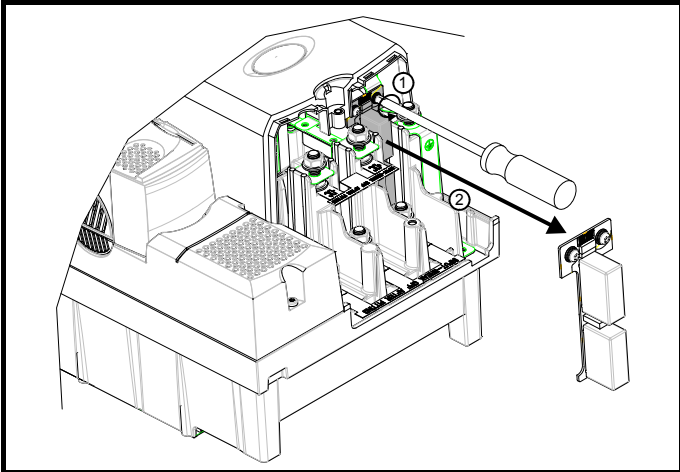
It is recommended that the internal EMC filter be kept in place unless there is a specific reason for removing it.

 WARNING	When the drive is used with ungrounded (IT) supplies the internal EMC filter must be removed unless additional motor ground fault protection is installed.
	For instructions on removal, refer to Figure 6-19 <i>Removal of internal EMC filter</i> .
	For details of ground fault protection contact the supplier of the drive.

If the drive is used as part of a regen system, then the internal EMC filter must be removed.

The internal EMC filter reduces radio-frequency emission into the line power supply. Where the motor cable is short, it permits the requirements of EN61800-3 to be met for the second environment - see section 6.13.4 *Compliance with EN 61800-3 (standard for Power Drive Systems)* on page 83 and section 14.1.26 *Electromagnetic compatibility (EMC)* on page 272. For longer motor cables the filter continues to provide a useful reduction in emission level, and when used with any length of shielded motor cable up to the limit for the drive, it is unlikely that nearby industrial equipment will be disturbed. It is recommended that the filter be used in all applications unless the ground leakage current of 56mA is unacceptable or the above conditions are true. See Figure 6-19 for details of removing and installing the internal EMC filter.

Figure 6-19 Removal of internal EMC filter



Loosen screws (1). Remove EMC filter in the direction shown (2).

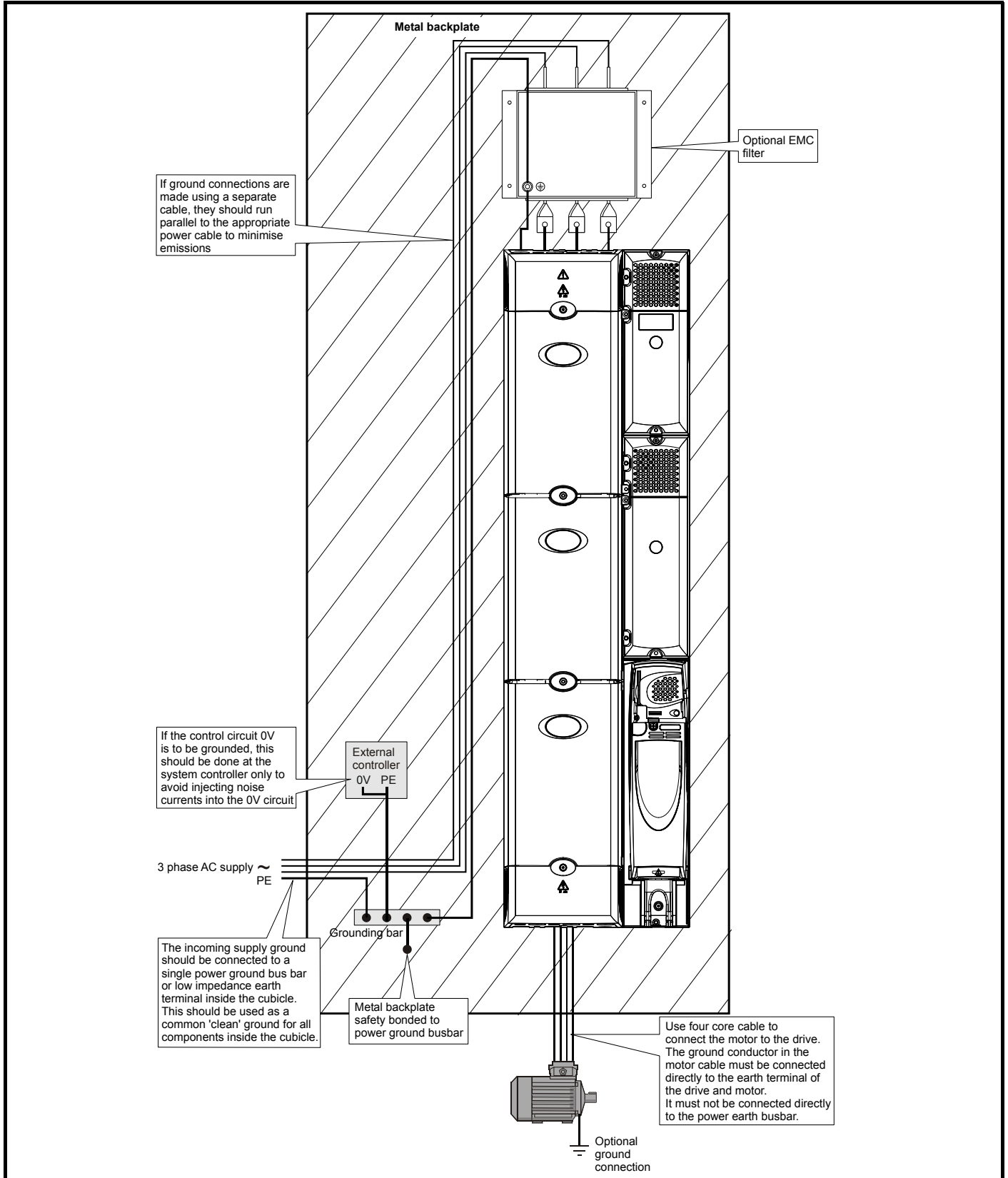
6.13.3 General requirements for EMC

Ground (earth) connections

The grounding arrangements should be in accordance with Figure 6-20, which shows a single drive on a back-plate with or without an additional enclosure.

Figure 6-20 shows how to manage EMC when using an unshielded motor cable. However a shielded cable is preferable, in which case it should be installed as shown in section 6.13.5 *Compliance with generic emission standards* on page 84.

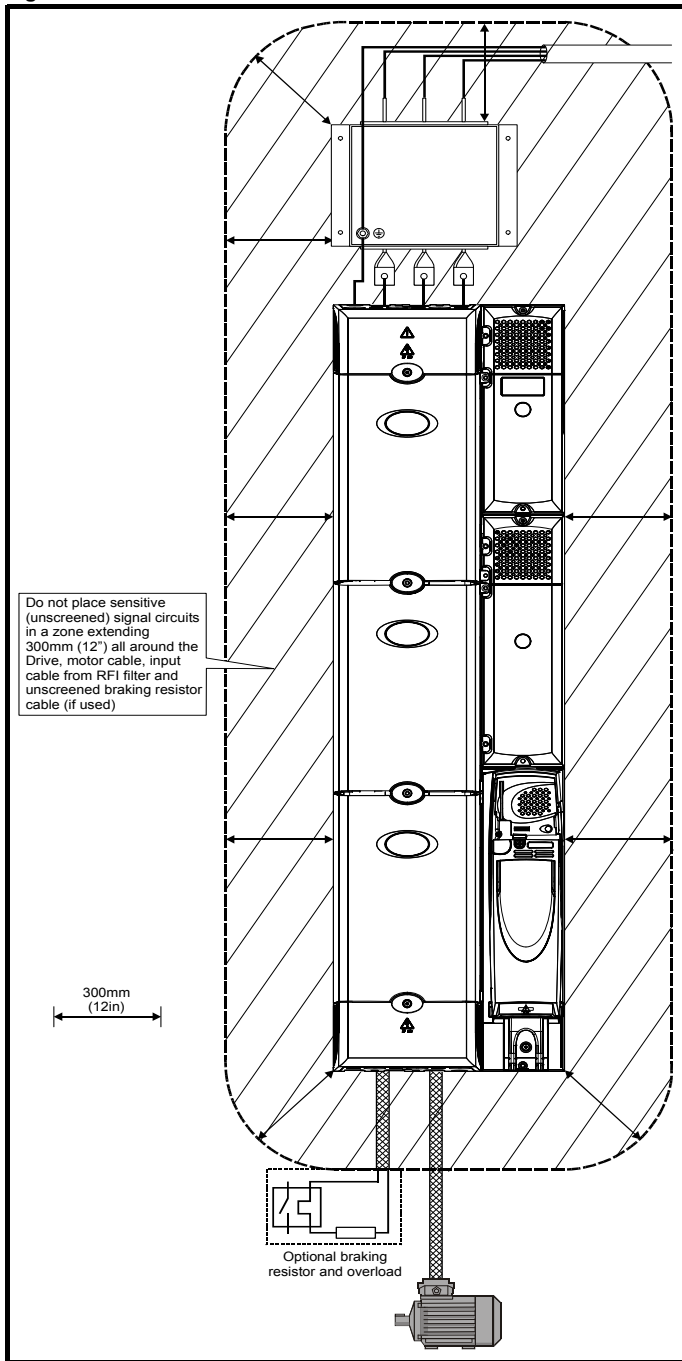
Figure 6-20 General EMC enclosure layout showing ground connections



Cable layout

Figure 6-21 indicates the clearances which should be observed around the drive and related 'noisy' power cables by all sensitive control signals / equipment.

Figure 6-21 Drive cable clearances



NOTE

Any signal cables which are carried inside the motor cable (i.e. motor thermistor, motor brake) will pick up large pulse currents via the cable capacitance. The shield of these signal cables must be connected to ground close to the motor cable, to avoid this noise current spreading through the control system.

Feedback device cable shielding

Shielding considerations are important for PWM drive installations due to the high voltages and currents present in the output (motor) circuit with a very wide frequency spectrum, typically from 0 to 20 MHz.

The following guidance is divided into two parts:

1. Ensuring correct transfer of data without disturbance from electrical noise originating either within the drive or from outside.
2. Additional measures to prevent unwanted emission of radio frequency noise. These are optional and only required where the installation is subject to specific requirements for radio frequency emission control.

To ensure correct transfer of data, observe the following:

Resolver connections:

- Use a cable with an overall shield and twisted pairs for the resolver signals
- Connect the cable shield to the drive 0V connection by the shortest possible link ("pigtail")
- It is generally preferable not to connect the cable shield to the resolver. However in cases where there is an exceptional level of common-mode noise voltage present on the resolver body, it may be helpful to connect the shield there. If this is done then it becomes essential to ensure the absolute minimum length of "pigtails" at both shield connections, and possibly to clamp the cable shield directly to the resolver body and to the drive grounding bracket.
- The cable should preferably not be interrupted. If interruptions are unavoidable, ensure the absolute minimum length of "pigtail" in the shield connections at each interruption.

Encoder connections:

- Use a cable with the correct impedance
- Use a cable with individually shielded twisted pairs
- Connect the cable shields to 0V at both the drive and the encoder, using the shortest possible links ("pigtails")
- The cable should preferably not be interrupted. If interruptions are unavoidable, ensure the absolute minimum length of "pigtail" in the shield connections at each interruption. Preferably, use a connection method which provides substantial metallic clamps for the cable shield terminations.

The above applies where the encoder body is isolated from the motor and where the encoder circuit is isolated from the encoder body. Where there is no isolation between the encoder circuits and the motor body, and in case of doubt, the following additional requirement must be observed. This gives the best possible noise immunity.

- The shields must be directly clamped to the encoder body (no pigtail) and to the drive grounding bracket. This may be achieved by clamping of the individual shields or by providing an additional overall shield which is clamped.

NOTE

The recommendations of the encoder manufacturer must also be adhered to for the encoder connections.

NOTE

In order to guarantee maximum noise immunity for any application double shielded cable as shown should be used.

In some cases single shielding of each pair of differential signals cables, or a single overall shield with individual shield on the thermistor connections is sufficient. In these cases all the shields should be connected to ground and 0V at both ends.

If the 0V is required to be left floating a cable with individual shields and an overall shield must be used.

Figure 6-22 and Figure 6-23 illustrate the preferred construction of cable and the method of clamping. The outer sheath of the cable should be stripped back enough to allow the clamp to be installed. The shield must not be broken or opened at this point. The clamps should be installed close to the drive or feedback device, with the ground connections made to a ground plate or similar metallic ground surface.

Figure 6-22 Feedback cable, twisted pair

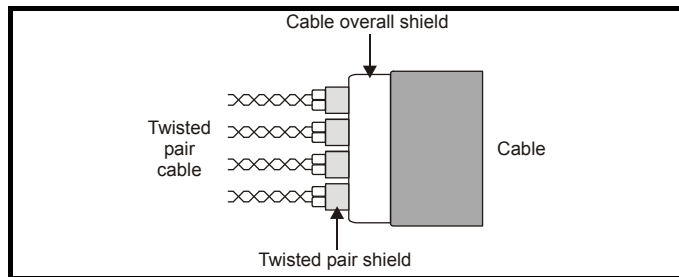
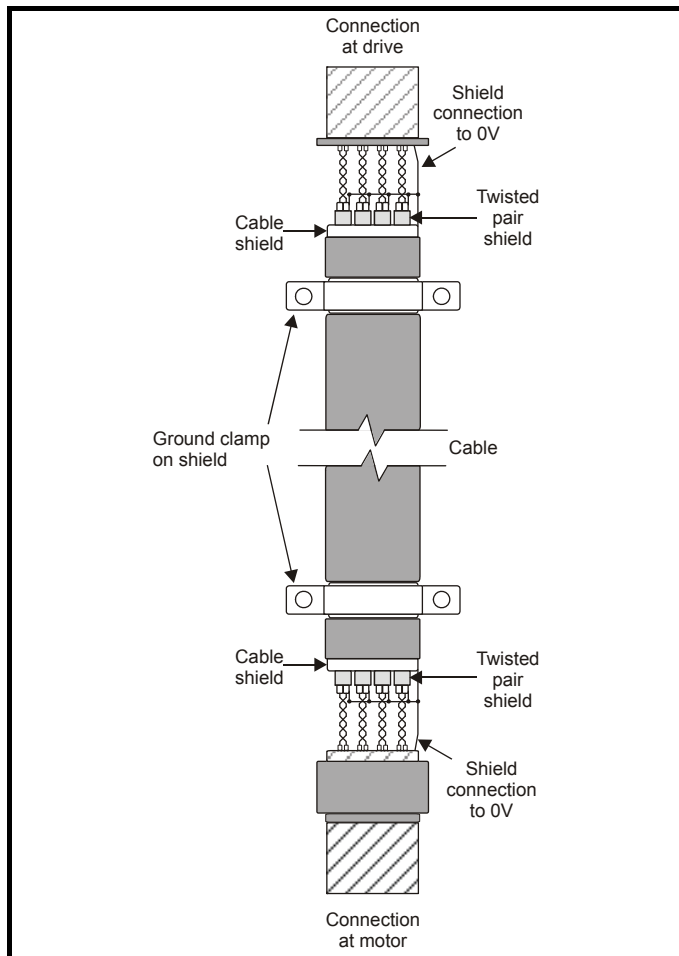


Figure 6-23 Feedback cable connections



To ensure suppression of radio frequency emission, observe the following:

- Use a cable with an overall shield
- Clamp the overall shield to grounded metallic surfaces at both the encoder and the drive, as illustrated in Figure 6-23

6.13.4 Compliance with EN 61800-3 (standard for Power Drive Systems)

Meeting the requirements of this standard depends on the environment that the drive is intended to operate in, as follows:

Operation in the first environment

Observe the guidelines given in section 6.13.5 *Compliance with generic emission standards* on page 84. An external EMC filter will always be required.

This is a product of the restricted distribution class according to IEC 61800-3
 In a residential environment this product may cause radio interference in which case the user may be required to take adequate measures.

Operation in the second environment

In all cases a shielded motor cable must be used, and an EMC filter is required for all Unidrive SPs with a rated input current of less than 100A.

The drive contains an in-built filter for basic emission control. In some cases feeding the motor cables (U, V and W) once through a ferrite ring can maintain compliance for longer cable lengths. The requirements of operating in the second environment are met, depending on the motor cable length for 3kHz switching frequency as stated in Table 6-23.

The table summarizes the performance of in-built filters when used with SPMA drives and single pairs of SPMD drives and SPMC/U rectifiers, assembled in the standard recommended configuration.

Table 6-23 Second environment emission compliance

Drive size	Filter	Voltage	Motor cable length 0 - 100 (m)
SPMA	In-built	Any	Unrestricted
SPMD	In-built	Any	Unrestricted

Key:

Unrestricted: EN 61800-3 second environment, unrestricted distribution

For longer motor cables, an external filter is required. Where a filter is required, follow the guidelines in section 6.13.5 *Compliance with generic emission standards*.

Where a filter is not required, follow the guidelines given in section 6.13.3 *General requirements for EMC* on page 81.

The second environment typically includes an industrial low-voltage power supply network which does not supply buildings used for residential purposes. Operating the drive in this environment without an external EMC filter may cause interference to nearby electronic equipment whose sensitivity has not been appreciated. The user must take remedial measures if this situation arises. If the consequences of unexpected disturbances are severe, it is recommended that the guidelines in section 6.13.5 *Compliance with generic emission standards* be adhered to.

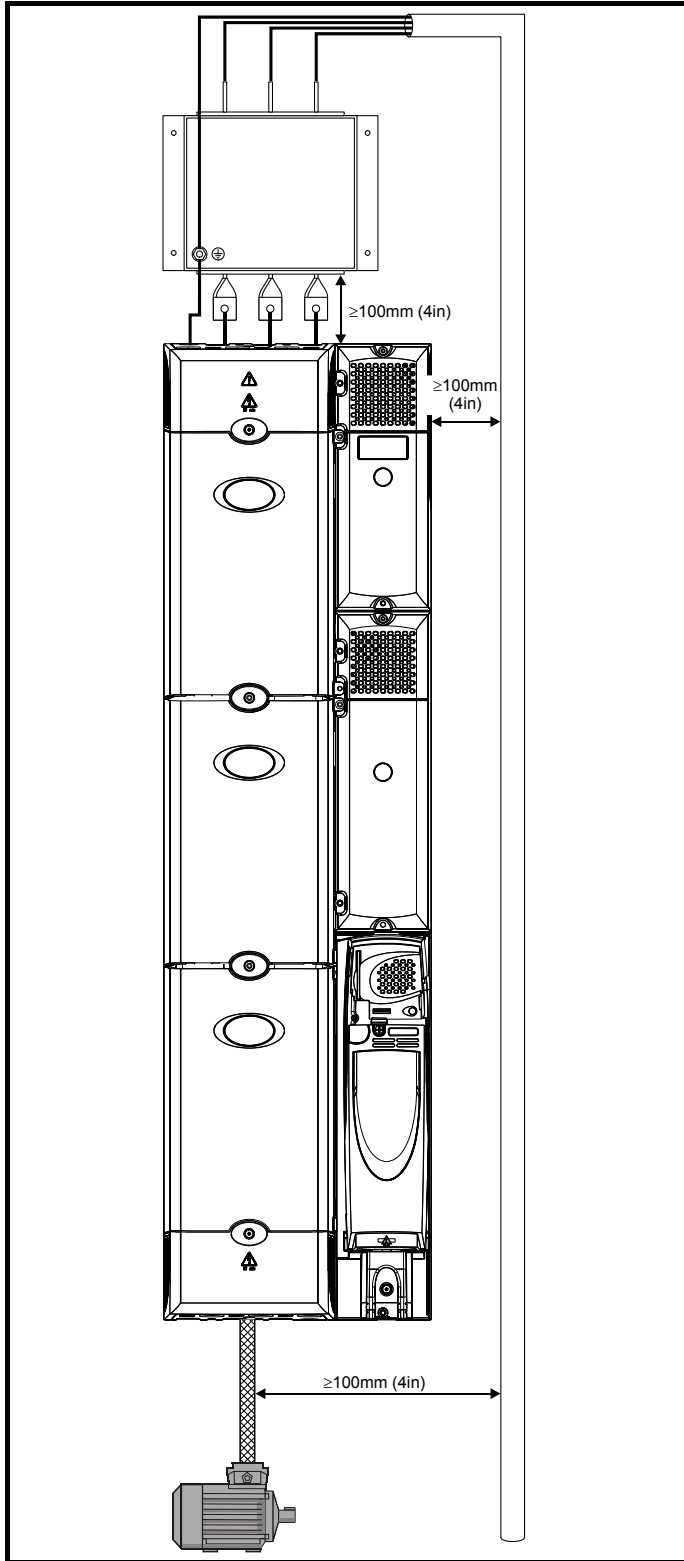
Refer to section 14.1.26 *Electromagnetic compatibility (EMC)* on page 272 for further information on compliance with EMC standards and definitions of environments.

Detailed instructions and EMC information are given in the *Unidrive SP EMC Data Sheet* which is available from the supplier of the drive.

6.13.5 Compliance with generic emission standards

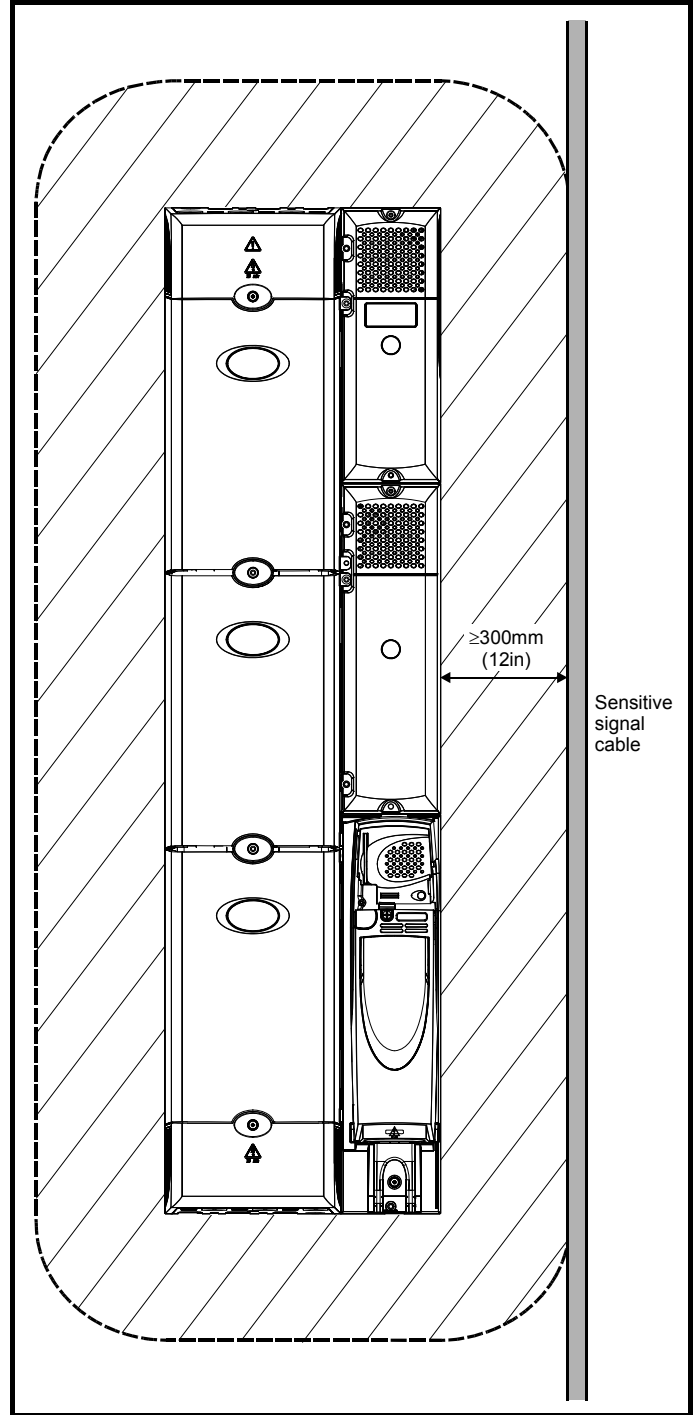
Use the recommended filter and shielded motor cable. Observe the layout rules given in Figure 6-24. Ensure the AC supply and ground cables are at least 100mm from the power module and motor cable.

Figure 6-24 Supply and ground cable clearance



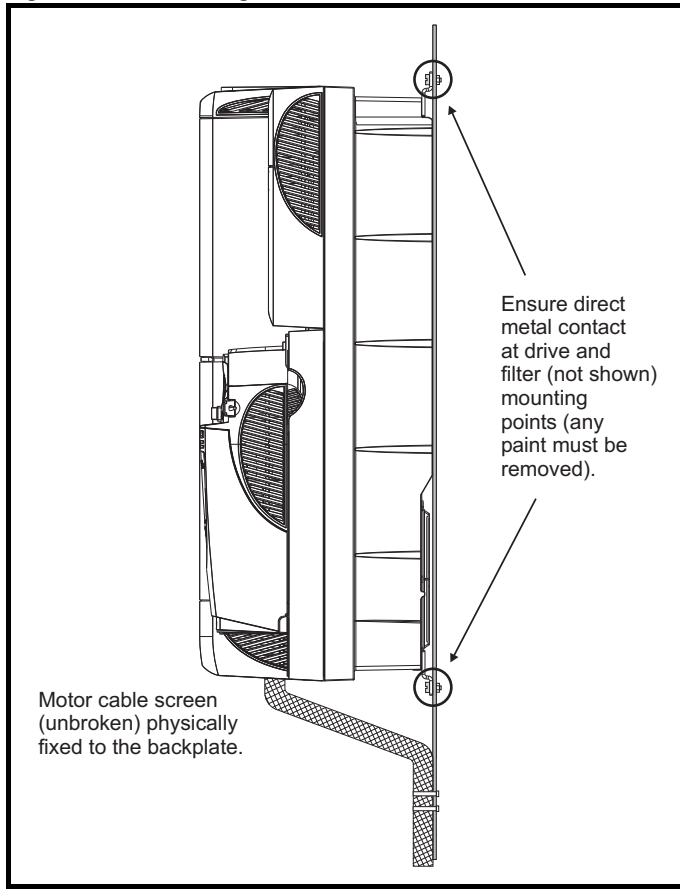
Avoid placing sensitive signal circuits in a zone 300mm (12in) all around the power module.

Figure 6-25 Sensitive signal circuit clearance



Ensure good EMC grounding.

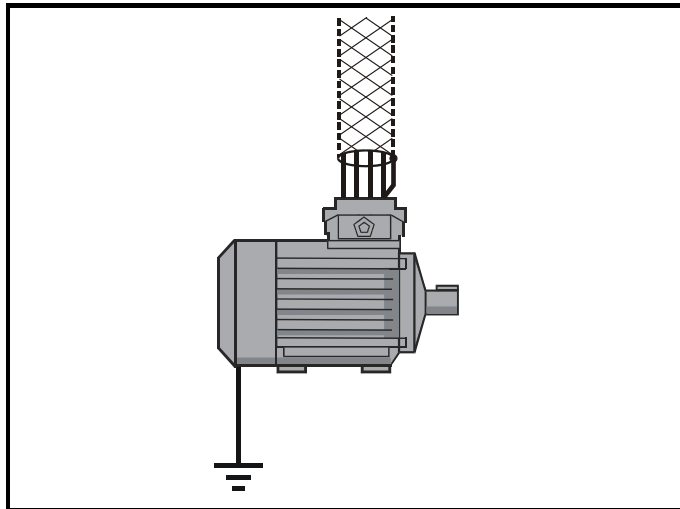
Figure 6-26 Grounding the drive, motor cable shield and filter



Connect the shield of the motor cable to the ground terminal of the motor frame using a link that is as short as possible and not exceeding 50mm (2in) long. A full 360° termination of the shield to the terminal housing of the motor is beneficial.

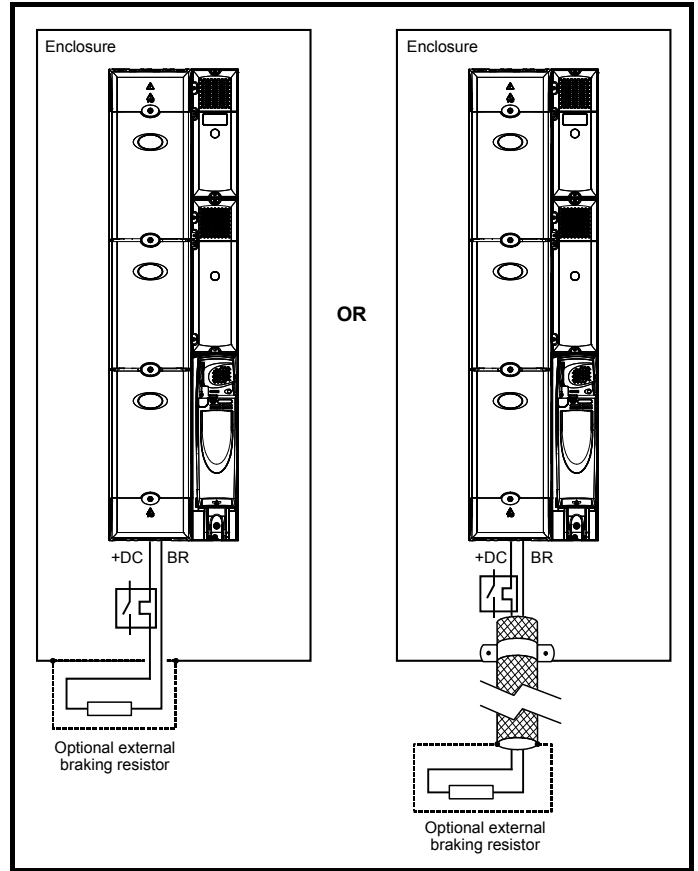
It is unimportant for EMC purposes whether the motor cable contains an internal (safety) ground core, or there is a separate external ground conductor, or grounding is through the shield alone. An internal ground core will carry a high noise current and therefore it must be terminated as close as possible to the shield termination.

Figure 6-27 Grounding the motor cable shield



Unshielded wiring to the optional braking resistor(s) may be used, provided the wiring does not run external to the enclosure. Ensure a minimum spacing of 300mm (12in) from signal wiring and the AC supply wiring to the external EMC filter. Otherwise this wiring must be shielded.

Figure 6-28 Shielding requirements of optional external braking resistor



If the control wiring is to leave the enclosure, it must be shielded and the shield(s) clamped to the drive using the grounding bracket as shown in Figure 6-29. Remove the outer insulating cover of the cable to ensure the shield(s) make contact with the bracket, but keep the shield(s) intact until as close as possible to the terminals

Alternatively, wiring may be passed through a ferrite ring, part no. 3225-1004.

Figure 6-29 Grounding of signal cable shields using the grounding bracket

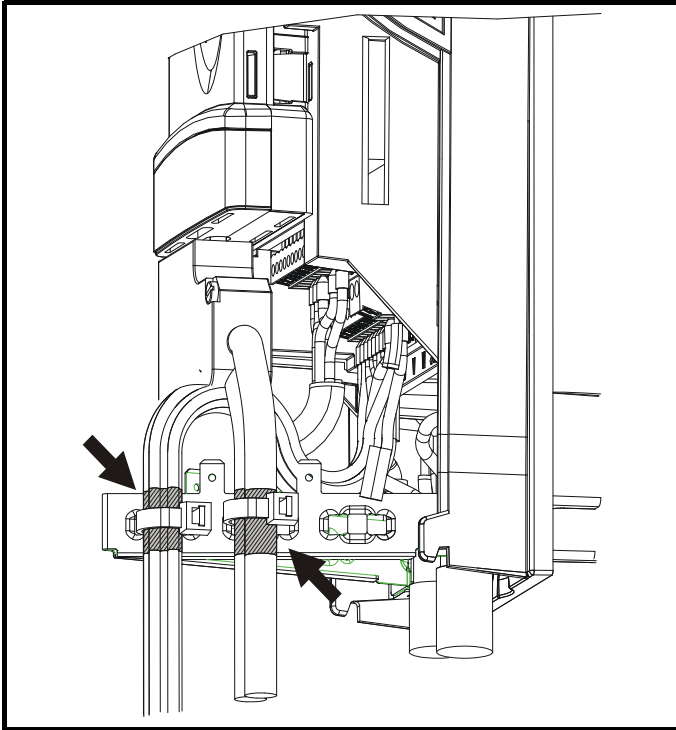
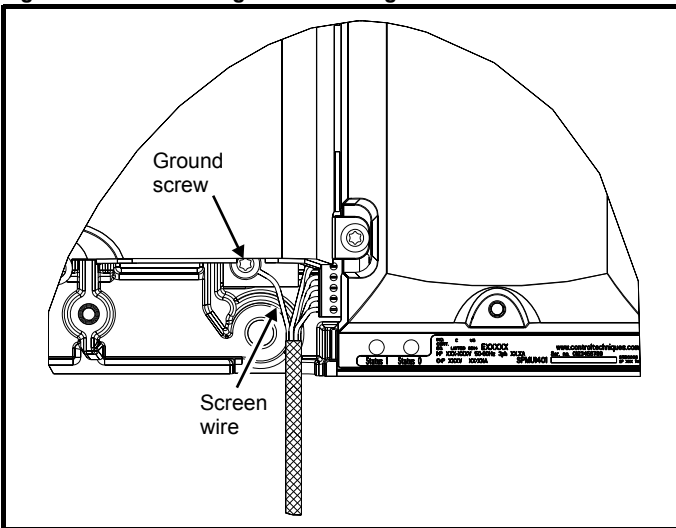


Figure 6-30 Grounding of SPMC/U signal cables



6.13.6 Variations in the EMC wiring Interruptions to the motor cable

The motor cable should ideally be a single length of shielded or armored cable having no interruptions. In some situations it may be necessary to interrupt the cable, as in the following examples:

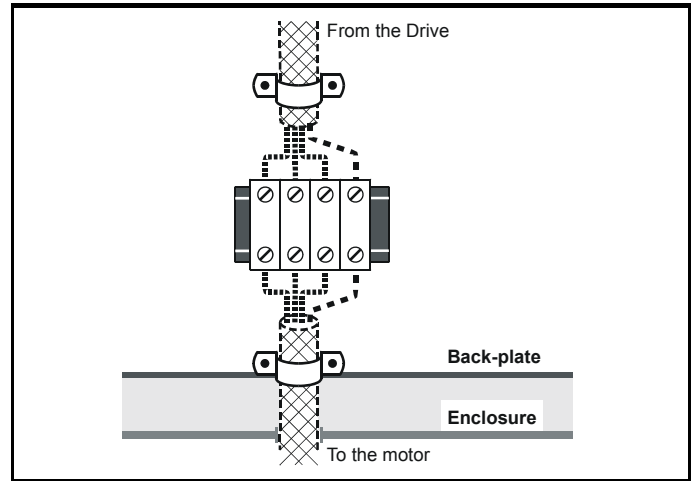
- Connecting the motor cable to a terminal block in the drive enclosure
- Installing a motor isolator/disconnect switch for safety when work is done on the motor

In these cases the following guidelines should be followed.

Terminal block in the enclosure

The motor cable shields should be bonded to the back-plate using uninsulated metal cable-clamps which should be positioned as close as possible to the terminal block. Keep the length of power conductors to a minimum and ensure that all sensitive equipment and circuits are at least 0.3m (12 in) away from the terminal block.

Figure 6-31 Connecting the motor cable to a terminal block in the enclosure



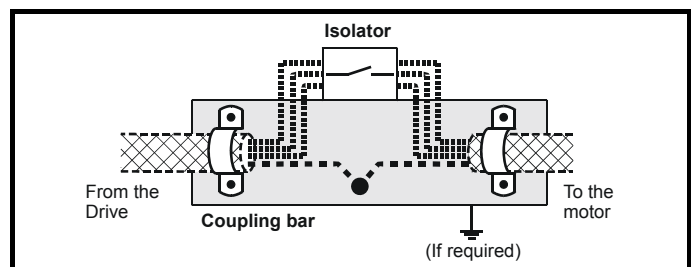
Using a motor isolator/disconnect-switch

The motor cable shields should be connected by a very short conductor having a low inductance. The use of a flat metal coupling-bar is recommended; conventional wire is not suitable.

The shields should be bonded directly to the coupling-bar using uninsulated metal cable-clamps. Keep the length of the exposed power conductors to a minimum and ensure that all sensitive equipment and circuits are at least 0.3m (12 in) away.

The coupling-bar may be grounded to a known low-impedance ground nearby, for example a large metallic structure which is connected closely to the drive ground.

Figure 6-32 Connecting the motor cable to an isolator/disconnect switch



Surge immunity of control circuits - long cables and connections outside a building

The input/output ports for the control circuits are designed for general use within machines and small systems without any special precautions.

These circuits meet the requirements of EN61000-6-2 (1kV surge) provided the 0V connection is not grounded.

In applications where they may be exposed to high-energy voltage surges, some special measures may be required to prevent malfunction or damage. Surges may be caused by lightning or severe power faults in association with grounding arrangements which permit high transient voltages between nominally grounded points. This is a particular risk where the circuits extend outside the protection of a building.

As a general rule, if the circuits are to pass outside the building where the drive is located, or if cable runs within a building exceed 30m, some additional precautions are advisable. One of the following techniques should be used:

- Galvanic isolation, i.e. do not connect the control 0V terminal to ground. Avoid loops in the control wiring, i.e. ensure every control wire is accompanied by its return (0V) wire.
- Shielded cable with additional power ground bonding. The cable shield may be connected to ground at both ends, but in addition the ground conductors at both ends of the cable must be bonded together by a power ground cable (equipotential bonding cable) with cross-sectional area of at least 10mm², or 10 times the area of the signal cable shield, or to suit the electrical safety requirements of the plant. This ensures that fault or surge current passes mainly through the ground cable and not in the signal cable shield. If the building or plant has a well-designed common bonded network this precaution is not necessary.
- Additional over-voltage suppression - for the analog and digital inputs and outputs, a zener diode network or a commercially available surge suppressor may be connected in parallel with the input circuit as shown in Figure 6-33 and Figure 6-34.

If a digital port experiences a severe surge its protective trip may operate (O.Ld1 trip code 26). For continued operation after such an event, the trip can be reset automatically by setting Pr 10.34 to 5.

Figure 6-33 Surge suppression for digital and unipolar inputs and outputs

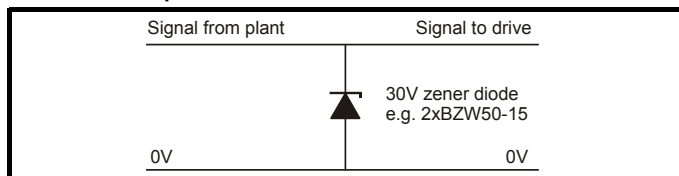
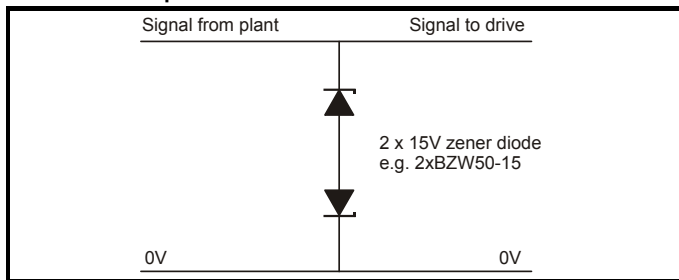


Figure 6-34 Surge suppression for analog and bipolar inputs and outputs



Surge suppression devices are available as rail-mounting modules, e.g. from Phoenix Contact:

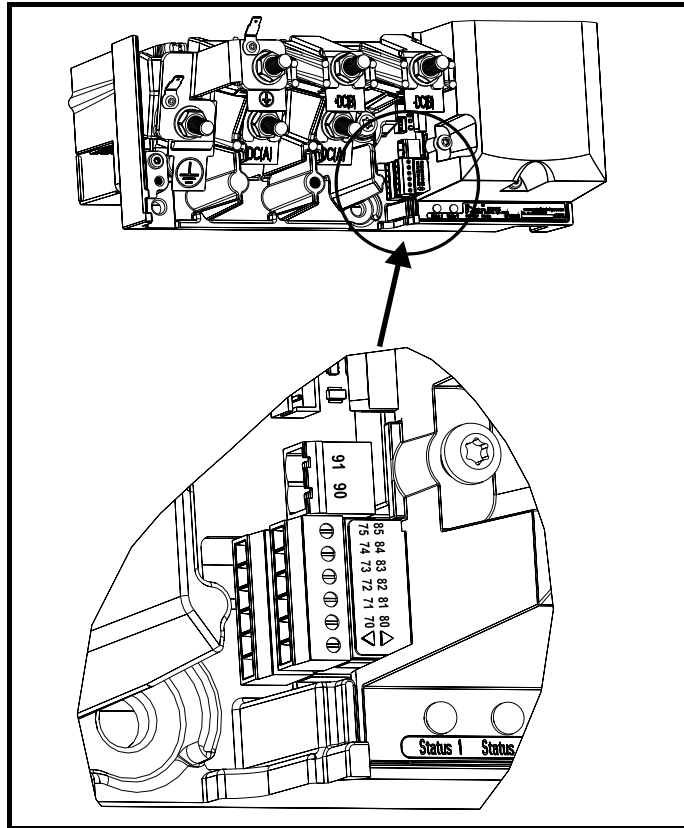
- Unipolar TT-UJK5-D/24 DC
- Bipolar TT-UJK5-D/24 AC

These devices are not suitable for encoder signals or fast digital data networks because the capacitance of the diodes adversely affects the signal. Most encoders have galvanic isolation of the signal circuit from the motor frame, in which case no precautions are required. For data networks, follow the specific recommendations for the particular network.

6.14 SPMC/U control connections

The rectifier must be supplied from an external 24V 3A supply to feed the fans and control circuits. When supplied with 24V and the three phase line power input are in tolerance, the rectifier is able to provide the user with x1 rectifier OK contact, x2 status outputs to the SPMD inverter (indicating the status of the rectifier), and x2 status inputs for applications using more than one rectifier in parallel (see Figure 6-36)

Figure 6-35 Location of SPMC (rectifier) control terminals



NOTE

The external 24V supply must be connected to enable the Unidrive SPMC/U.

NOTE

When the Unidrive SPMC/U is connected to a Unidrive SPMD, the status output connections must be connected as shown in Figure 6-36.

Unidrive SPMC/U external 24V supply requirements

Nominal voltage:	24V
Minimum voltage:	23V
Maximum voltage:	28V
Current drawn:	3A
Minimum start-up voltage:	18V
Recommended power supply:	24V, 100W, 4.5A
Recommended fuse:	4A fast blow (I ² t <20A ² s)

NOTE

If the Unidrive SPM power supply (CT part number 8510-0000) is used to supply the Unidrive SPMA/D or SPMC/U, a fuse on the 24V supply to the SPMC/U is not required.

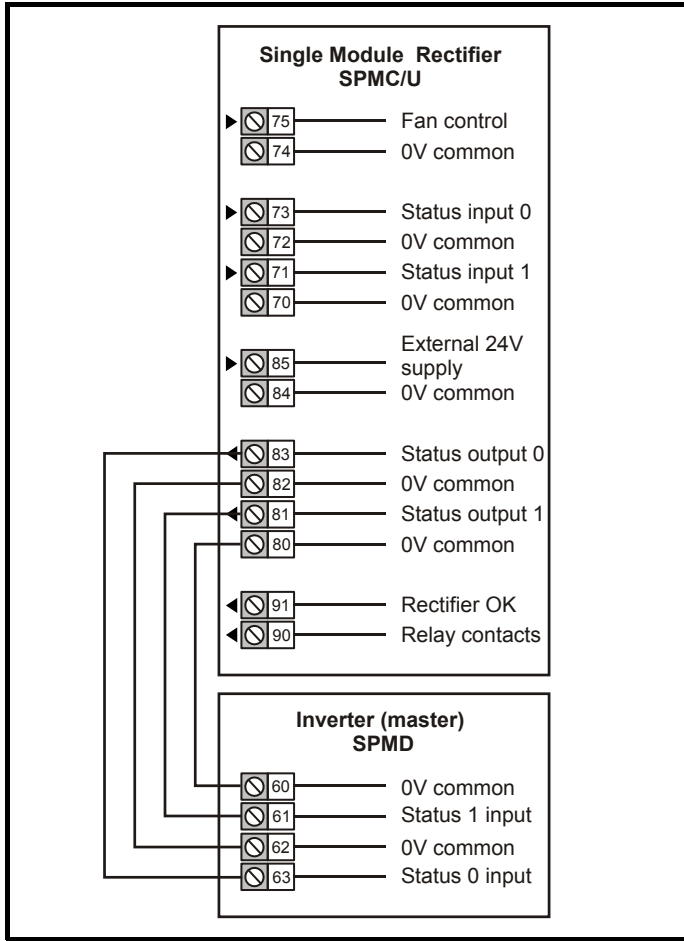
Unidrive SPM power supply

CT part number:	8510-0000
Current rating:	10A
Input voltage:	85 to 123 / 176 to 264Vac auto switching
Cable size:	0.5mm ² (20AWG)
Fuse:	5A slow-blow from supply

6.14.1 SPMC Hardware configuration - Single module

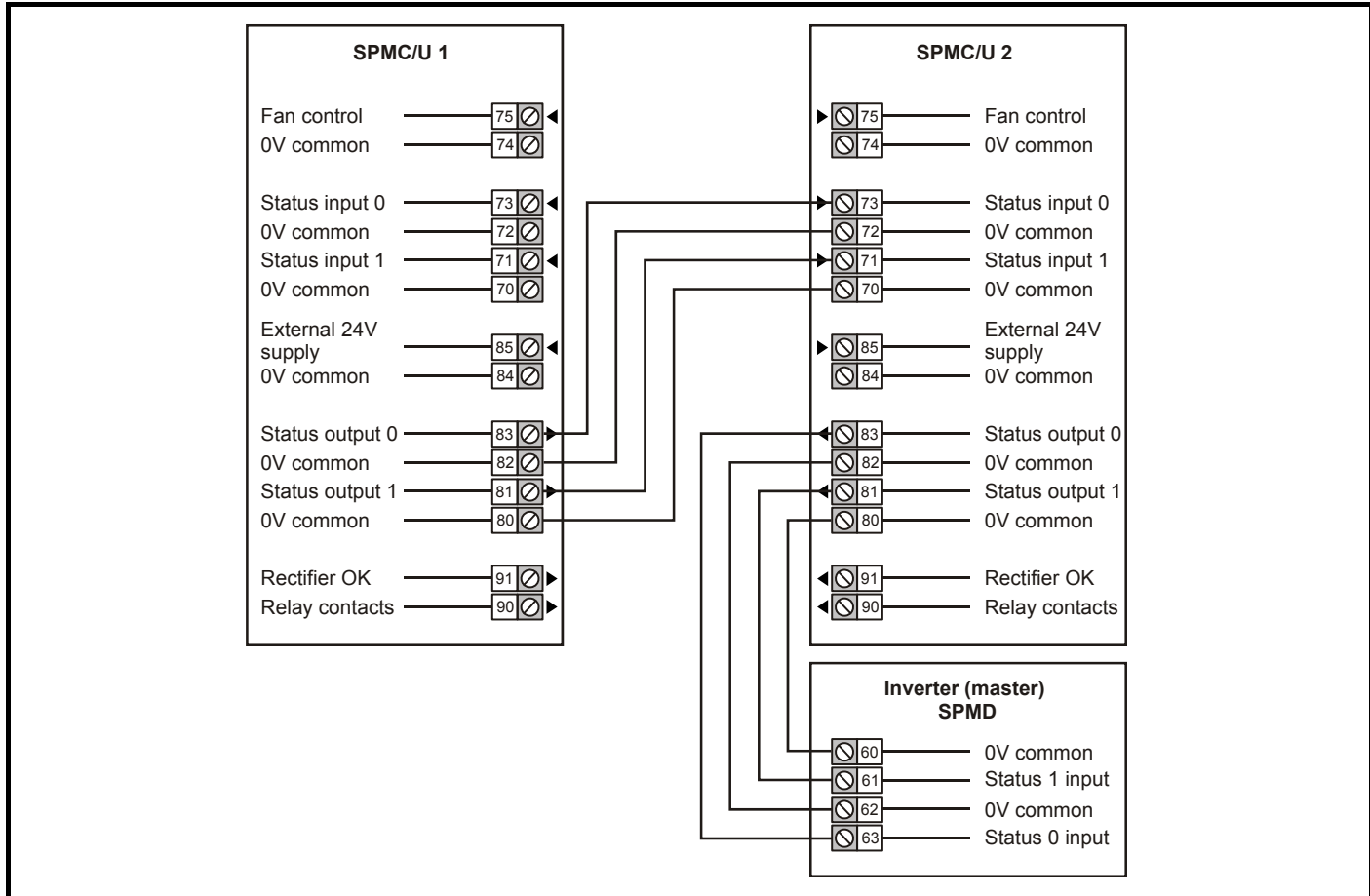
When a Unidrive SPMC is used to supply the DC Bus of SPMD, the status output lines can be taken from the SPMC and feed directly into the status inputs of the SPMD. The inverter will monitor the status lines and on detection of a trip disable the system.

Figure 6-36 Single module control terminals and descriptions



6.14.2 SPMC/U Hardware configuration - Multiple Rectifier modules

Figure 6-37 Parallel rectifier control terminals and descriptions



6.14.3 Unidrive SPMC/U control connections

Status input connections

70	0V common
71	Status input 1
72	0V common
73	Status input 0
Function	To allow status monitoring for applications using more than one rectifier
Logic 0 voltage level	<8.4V
Logic 1 voltage level	>8.4V
Open circuit voltage level	-4.8V source resistance 8.7k
Input resistance	15kΩ

Fan control connections

74	0V common
75	Fan control
Function	The internal fan in the rectifier is controlled by a temperature control loop. The fan can be forced to run at full speed by connecting this terminal to +24V
Voltage range	0V to 24V supply voltage +2V
Input threshold	10V
Input resistance	6.8kΩ

Status output connections

80	0V common
81	Status output 1
82	0V common
83	Status output 0
Function	Provides status monitoring from the rectifier to the connecting drive / monitoring equipment to trip the rectifier unit
Logic 0 voltage level	0V
Logic 1 voltage level	24V supply voltage
Source resistance	1k1

NOTE

When a system contains paralleled Unidrive SPMC/Us, the rectifier's status outputs must be daisy chained to the status inputs of the next. Providing the system is fused correctly, the method used to monitor the rectifier status must have the ability to disable the system within 500ms. A PLC can be used to monitor the status output of the rectifier. PLC input impedance must be no greater than 10kΩ. Status signals are not latched.

84	0V common
Function	Common connection for all external devices

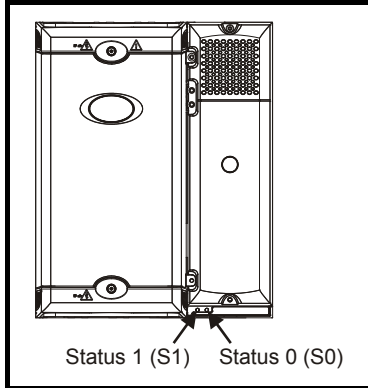
85	External +24V supply
Function	The rectifier must be supplied with +24V to power the fans and control PCB
Nominal voltage	+24Vdc
Minimum continuous operating voltage	+23V
Maximum continuous operating voltage	+28V
Current consumption	3.0A
Minimum start-up voltage	+18V
Recommended power supply	24V, 100W, 4.5A
Recommended fuse	4A fast blow ($I^2t < 20A^2s$)

90 91	Relay contacts
Function	Rectifier OK indicator
Contact rating	0.4A AC 240V 4A DC 40V resistive load 0.5A DC 30V inductive load (L/R = 40ms)
Contact minimum recommended rating	12Vdc 100mA
Relay state when rectifier is operating normally	Closed
Update period	Relay is not latched, relay could change state at a rate up to 30ms

6.14.4 SPMC/U (rectifier) LEDs

The control circuitry of the Unidrive SPMC/U monitors the drive status and generates codes via the status output LEDs (S1 and S0).

Figure 6-38 Status LED location



The STATUS LEDs S0 and S1 mirror the status outputs and are encoded as follows:

Table 6-24 Key to SPMC (rectifier) LEDs

Status Output		Meaning
1: Left LED	0: Right LED	
OFF	OFF	Line power supply, or 24V supply to the rectifier has been lost
OFF	ON	Phase loss
ON	OFF	Any of the following: <ul style="list-style-type: none"> • Snubber overheating due to excessive cable charging current or supply notching • Rectifier heatsink over temperature • Rectifier PCB over temperature • Status input wire break
ON	ON	System OK

The SPMD drive will monitor the status lines and on detection of a fault disables the system via a PhP or (when used in conjunction with a SPMC) OHT4.P trip.

Table 6-25 Key to SPMU (rectifier) LEDs

Status Output		Meaning
1: Left LED	0: Right LED	
OFF	OFF	Line power supply loss, or 24V supply to the rectifier has been lost
OFF	ON	<ul style="list-style-type: none"> • Internal fault Check that rectifier is an SPMU. This could indicate that unit is an SPMC
ON	OFF	Any of the following: <ul style="list-style-type: none"> • Rectifier heatsink over temperature • Rectifier PCB over temperature • Status input wire break
ON	ON	System OK

6.15 Low voltage DC mode enable, heatsink fan supply connections (SPMA/D) and status input connections (SPMD)

Unidrive SPMA and SPMD require a low voltage DC mode enable signal to terminal 50 and 51 of the lower terminal connector near the W phase output, to allow the drive to be used from a low voltage DC supply.

For more information regarding low voltage DC operation, see the *Low Voltage DC Mode Application Note*.

Figure 6-39 Location of the SPMA/D low voltage DC mode enable connections

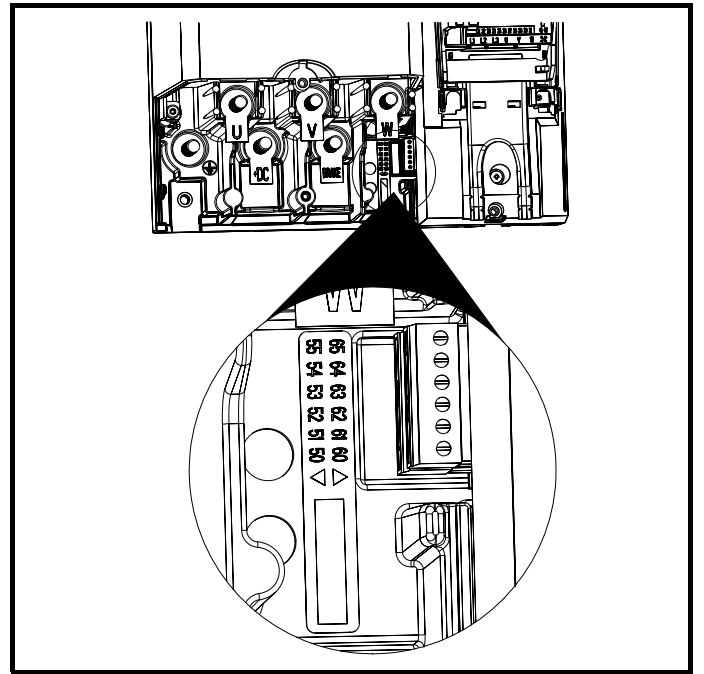


Figure 6-40 SPMA low voltage DC mode enable connections

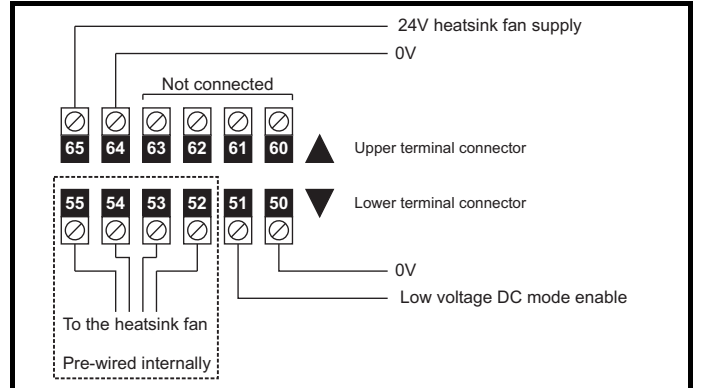
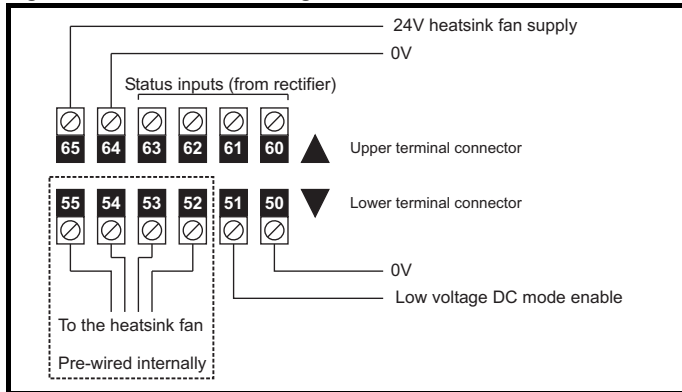


Figure 6-41 SPMD low voltage DC mode enable connections



6.15.1 Low voltage DC mode enable connections (SPMA/D)

50	0V
51	Low voltage DC mode enable
Function	To allow the drive to be used from a low voltage DC supply
Nominal voltage	24.0Vdc
Minimum continuous operating voltage	19.2Vdc
Maximum continuous operating voltage	30.0Vdc
Nominal current consumption	500mA
Recommended fuse	8A 600V AC fast acting class CC type fuse

6.15.2 Heatsink fan supply connections (SPMA/D)

52	
53	
54	Heatsink fan connections
55	
No user connections	

6.15.3 SPMA status input connections

60	
61	No connection
62	
63	
No user connections	

6.15.4 SPMD status input connections

60	0V common
61	Status 1 input
62	0V common
63	Status 0 input
Function	To allow status monitoring from the SPMC/U rectifier module
Logic 0 voltage level	<7.5V
Logic 1 voltage level	>7.5V
I/P resistance	6.8kΩ
Open circuit voltage level	-15V (connected to -15V by 47kΩ)

6.15.5 External 24V heatsink fan supply (SPMA/D)

64	0V
65	24V heatsink fan supply
Function	To provide the power supply to the heatsink mounted fan
Nominal voltage	24Vdc
Minimum continuous operating voltage	23.5V
Maximum continuous operating voltage	27V
Current consumption	SPMA (all): 3.3A SPMD12X1/12X4: 3.3A SPMD14X1/14X2: 3.3A SPMD14X3/14X4: 4.5A SPMD16X1/16X2: 3.3A SPMD16X3/16X4: 4.5A
Recommended power supply	24V, 5A
Recommended fuse	SPMA (all): 4A fast blow ($I^2t > 20A^2s$) SPMD12X1/12X4: 4A fast blow ($I^2t > 20A^2s$) SPMD14X1/14X2: 4A fast blow ($I^2t > 20A^2s$) SPMD14X3/14X4: 6.3A fast blow ($I^2t > 100A^2s$) SPMD16X1/16X2: 4A fast blow ($I^2t > 20A^2s$) SPMD16X3/16X4: 6.3A fast blow ($I^2t > 100A^2s$)

6.16 Serial communications connections

The drive has a serial communications port (serial port) as standard supporting 2 wire EIA485 communications. See Table 6-26 for the connection details for the RJ45 connector.

Figure 6-42 Location of the RJ45 serial comms connector

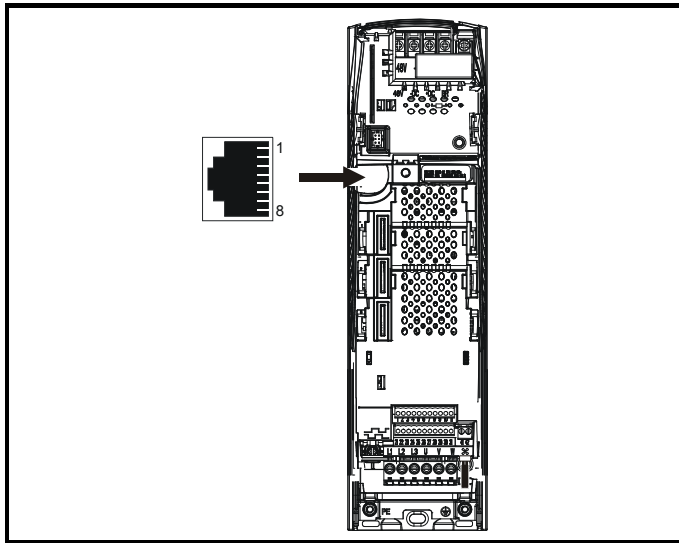


Table 6-26 Connection details for RJ45 connector

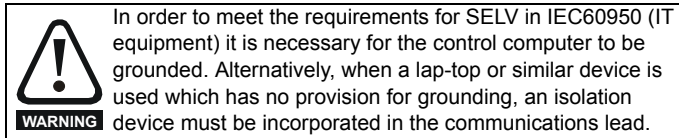
Pin	Function
1	120Ω Termination resistor
2	RX TX
3	Isolated 0V
4	+24V (100mA)
5	Isolated 0V
6	TX enable
7	RX\ TX\
8	RX\ TX\ (if termination resistors are required, link to pin 1)
Shell	Isolated 0V

The communications port applies a 2 unit load to the communications network.

Minimum number of connections are 2, 3, 7 and shield. Shielded cable must be used at all times.

6.16.1 Isolation of the serial communications port

The serial communications port is double insulated and meets the requirements for SELV in EN50178.



An isolated serial communications lead has been designed to connect the drive to IT equipment (such as lap-top computers), and is available from the supplier of the drive. See below for details:

Table 6-27 Isolated serial comms lead details

Part number	Description
4500-0087	CT EIA232 Comms cable
4500-0096	CT USB Comms cable

The "isolated serial communications" lead has reinforced insulation as defined in IEC60950 for altitudes up to 3,000m.

NOTE

When using the CT EIA232 Comms cable the available baud rate is limited to 19.2k baud.

6.16.2 Multi-drop network

The drive can be used on a 2 wire EIA485 multi-drop network using the drive's serial communications port when the following guidelines are adhered to.

Connections

The network should be a daisy chain arrangement and not a star, although short stubs to the drive are allowed.

The minimum connections are pins 2 (RX TX), 3 (isolated 0V), 7 (RX\ TX\) and the shield.

Pin 4 (+24V) on each drive can be connected together but there is no power sharing mechanism between drives and therefore the maximum power available is the same as a single drive. (If pin 4 is not linked to the other drives on the network and has an individual load then the maximum power can be taken from pin 4 of each drive.)

Termination resistors

If a drive is on the end of the network chain then pins 1 and 8 should be linked together. This will connect an internal 120Ω termination resistor between RXTX and RX\TX\ . (If the end unit is not a drive or the user wishes to use their own termination resistor, a 120Ω termination resistor should be connected between RXTX and RX\TX\ at the end unit.)

If the host is connected to a single drive then termination resistors should not be used unless the baud rate is high.

CT Comms Cable

The CT Comms Cable can be used on a multi-drop network but should only be used occasionally for diagnostic and set up purposes. The network must also be made up entirely of Unidrive SPS.

If the CT Comms Cable is to be used, then pin 6 (TX enable) should be connected on all drives and pin 4 (+24V) should be linked to at least 1 drive to supply power to the converter in the cable.

Only one CT Comms Cable can be used on a network.

6.17 Control connections - master interface

6.17.1 General

Table 6-28 The Unidrive SPM control connections consist of:

Function	Qty	Control parameters available	Terminal number
Differential analog input	1	Destination, offset, offset trim, invert, scaling	5,6
Single ended analog input	2	Mode, offset, scaling, invert, destination	7,8
Analog output	2	Source, mode, scaling,	9,10
Digital input	3	Destination, invert, logic select	27,28,29
Digital input / output	3	Input / output mode select, destination / source, invert, logic select	24,25,26
Relay	1	Source, invert	41,42
Drive enable (SAFE TORQUE OFF (SECURE DISABLE))	1		31
+10V User output	1		4
+24V User output	1	Source, invert	22
0V common	6		1, 3, 11, 21, 23, 30
+24V External input	1		2

Key:

Destination parameter: indicates the parameter which is being controlled by the terminal / function

Source parameter: indicates the parameter being output by the terminal

Mode parameter: analog - indicates the mode of operation of the terminal, i.e. voltage 0-10V, current 4-20mA etc.

Mode parameter: digital - indicates the mode of operation of the terminal, i.e. positive / negative logic (the Drive Enable terminal is fixed in positive logic), open collector.

All analog terminal functions can be programmed in menu 7.

All digital terminal functions (including the relay) can be programmed in menu 8.

The setting of Pr 1.14 and Pr 6.04 can cause the function of digital inputs T25 to T29 to change. For more information, please refer to section 13.21.1 *Reference modes* on page 254 and section 13.21.7 *Start / stop logic modes* on page 259.



WARNING

The control circuits are isolated from the power circuits in the drive by basic insulation (single insulation) only. The installer must ensure that the external control circuits are insulated from human contact by at least one layer of insulation (supplementary insulation) rated for use at the AC supply voltage.



WARNING

If the control circuits are to be connected to other circuits classified as Safety Extra Low Voltage (SELV) (e.g. to a personal computer), an additional isolating barrier must be included in order to maintain the SELV classification.



CAUTION

If any of the digital inputs or outputs (including the drive enable input) are connected in parallel with an inductive load (i.e. contactor or motor brake) then suitable suppression (i.e. diode or varistor) should be used on the coil of the load. If no suppression is used then over voltage spikes can cause damage to the digital inputs and outputs on the drive.



CAUTION

Ensure the logic sense is correct for the control circuit to be used. Incorrect logic sense could cause the motor to be started unexpectedly. Positive logic is the default state for.

NOTE

Any signal cables which are carried inside the motor cable (i.e. motor thermistor, motor brake) will pick up large pulse currents via the cable capacitance. The shield of these signal cables must be connected to ground close to the point of exit of the motor cable, to avoid this noise current spreading through the control system.

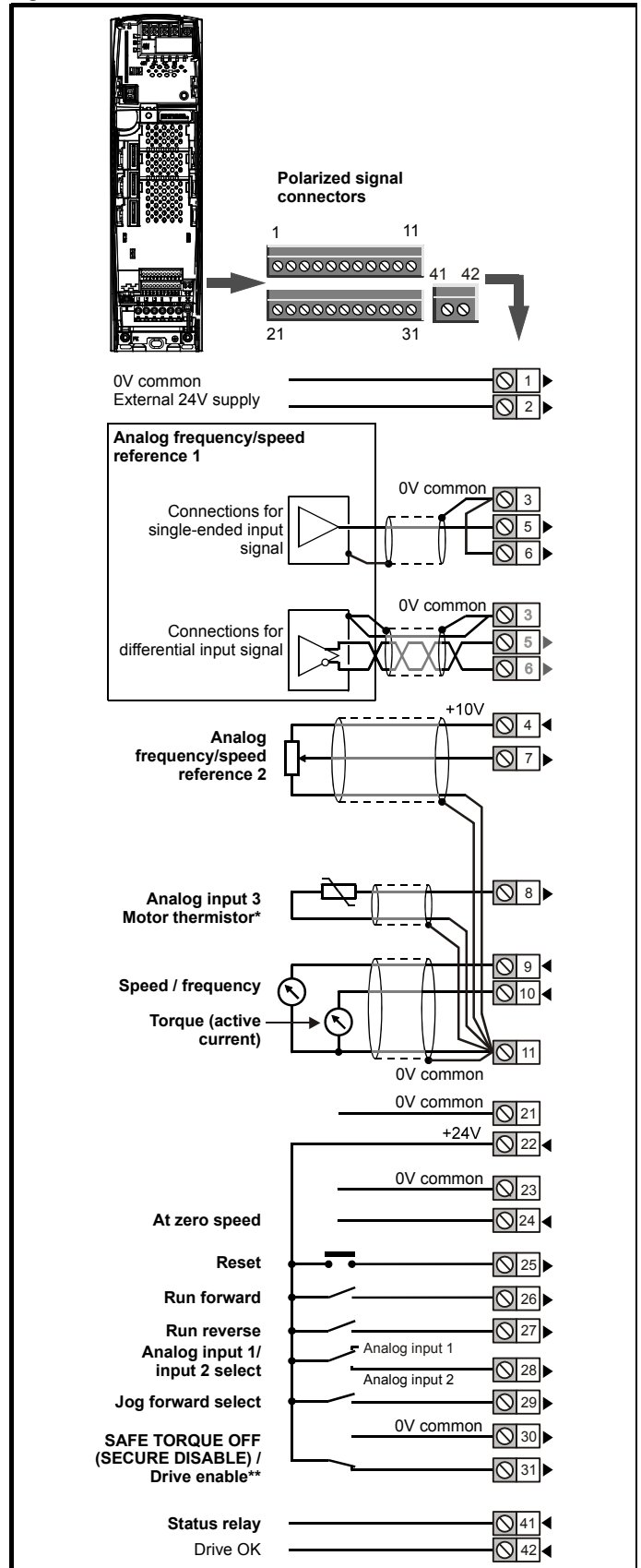
NOTE

The SAFE TORQUE OFF (SECURE DISABLE) / drive enable terminal is a positive logic input only. It is not affected by the setting of Pr 8.29 *Positive logic select*.

NOTE

The common 0V from analog signals should, wherever possible, not be connected to the same 0V terminal as the common 0V from digital signals. Terminals 3 and 11 should be used for connecting the 0V common of analog signals and terminals 21, 23 and 30 for digital signals. This is to prevent small voltage drops in the terminal connections causing inaccuracies in the analog signals.

Figure 6-43 Default terminal functions



* With software V01.07.00 and later, Analog input 3 is configured as a motor thermistor input. With software V01.06.02 and earlier, Analog input 3 has no default function. Refer to *Analog input 3* on page 94.

**The SAFE TORQUE OFF (SECURE DISABLE) / Drive enable terminal is a positive logic input only.

6.17.2 SPMA and SPMD control terminal specification

1	0V common
Function	Common connection for all external devices

2	+24V external input
Function	To supply the control circuit without providing a supply to the power stage
Nominal voltage	+24.0Vdc
Minimum continuous operating voltage	+19.2Vdc
Maximum continuous operating voltage	+30.0Vdc
Minimum start-up voltage	21.6Vdc
Recommended power supply	60W 24Vdc nominal
Recommended fuse	3A, 50Vdc

3	0V common
Function	Common connection for all external devices

4	+10V user output
Function	Supply for external analog devices
Voltage tolerance	±1%
Nominal output current	10mA
Protection	Current limit and trip @ 30mA

Precision reference Analog input 1	
5	Non-inverting input
6	Inverting input
Default function	Frequency/speed reference
Type of input	Bipolar differential analog (For single-ended use, connect terminal 6 to terminal 3)
Full scale voltage range	±9.8V ±1%
Absolute maximum voltage range	±36V relative to 0V
Working common mode voltage range	±13V relative to 0V
Input resistance	100kΩ ±1%
Resolution	16-bit plus sign (as speed reference)
Monotonic	Yes (including 0V)
Dead band	None (including 0V)
Jumps	None (including 0V)
Maximum offset	700µV
Maximum non linearity	0.3% of input
Maximum gain asymmetry	0.5%
Input filter bandwidth single pole	~1kHz
Sampling period	250µs with destinations as Pr 1.36, Pr 1.37 or Pr 3.22 in closed loop vector or servo mode. 4ms for open loop mode and all other destinations in closed loop vector or servo mode.

7	Analog input 2
Default function	Frequency/speed reference
Type of input	Bipolar single-ended analog voltage or unipolar current
Mode controlled by...	Pr 7.11
Operating in Voltage mode	
Full scale voltage range	±9.8V ±3%
Maximum offset	±30mV
Absolute maximum voltage range	±36V relative to 0V
Input resistance	>100kΩ
Operating in current mode	
Current ranges	0 to 20mA ±5%, 20 to 0mA ±5%, 4 to 20mA ±5%, 20 to 4mA ±5%
Maximum offset	250µA
Absolute maximum voltage (reverse bias)	-36V max
Absolute maximum current	+70mA
Equivalent input resistance	≤200Ω at 20mA
Common to all modes	
Resolution	10 bit + sign
Sample period	250µs when configured as voltage input with destinations as Pr 1.36, Pr 1.37, Pr 3.22 or Pr 4.08 in closed loop vector or servo mode. 4ms for open loop mode, all other destinations in closed loop vector or servo mode, or any destination when configured as a current input.

8	Analog input 3
Default function	V01.07.00 and later: Motor thermistor input (PTC) V01.06.02 and earlier: Not configured
Type of input	Bipolar single-ended analog voltage, unipolar current or motor thermistor input
Mode controlled by...	Pr 7.15
Operating in Voltage mode (default)	
Voltage range	±9.8V ±3%
Maximum offset	±30mV
Absolute maximum voltage range	±36V relative to 0V
Input resistance	>100kΩ
Operating in current mode	
Current ranges	0 to 20mA ±5%, 20 to 0mA ±5%, 4 to 20mA ±5%, 20 to 4mA ±5%
Maximum offset	250µA
Absolute maximum voltage (reverse bias)	-36V max
Absolute maximum current	+70mA
Equivalent input resistance	≤200Ω at 20mA
Operating in thermistor input mode	
Internal pull-up voltage	<5V
Trip threshold resistance	3.3kΩ ±10%
Reset resistance	1.8kΩ ±10%
Short-circuit detection resistance	50Ω ±40%
Common to all modes	
Resolution	10 bit + sign
Sample period	250µs when configured as voltage input with destinations as Pr 1.36, Pr 1.37, Pr 3.22 or Pr 4.08 in closed loop vector or servo mode. 4ms for open loop mode, all other destinations in closed loop vector or servo mode, or any destination when configured as a current input.

T8 analog input 3 has a parallel connection to terminal 15 of the drive encoder connector.

9	Analog output 1
10	Analog output 2
Terminal 9 default function	OL> Motor FREQUENCY output signal CL> SPEED output signal
Terminal 10 default function	Motor active current
Type of output	Bipolar single-ended analog voltage or unipolar single ended current
Mode controlled by...	Pr 7.21 and Pr 7.24
Operating in Voltage mode (default)	
Voltage range	±9.6V ±5%
Maximum offset	100mV
Maximum output current	±10mA
Load resistance	1kΩ min
Protection	35mA max. Short circuit protection
Operating in current mode	
Current ranges	0 to 20mA ±10% 4 to 20mA ±10%
Maximum offset	600μA
Maximum open circuit voltage	+15V
Maximum load resistance	500Ω
Common to all modes	
Resolution	10-bit (plus sign in voltage mode)
Update period	250μs when configured as a high speed output with sources as Pr 4.02, Pr 4.17 in all modes or Pr 3.02, Pr 5.03 in closed loop vector or servo mode. 4ms when configured as any other type of output or with all other sources.

11	0V common
Function	Common connection for all external devices

21	0V common
Function	Common connection for all external devices

22	+24V user output (selectable)
Terminal 22 default function	+24V user output
Programmability	Can be switched on or off to act as a fourth digital output (positive logic only) by setting the source Pr 8.28 and source invert Pr 8.18
Nominal output current	200mA (including all digital I/O)
Maximum output current	240mA (including all digital I/O)
Protection	Current limit and trip

23	0V common
Function	Common connection for all external devices

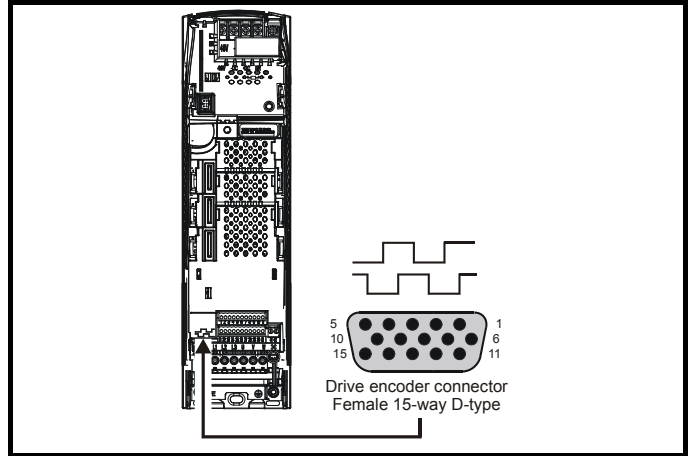
24	Digital I/O 1
25	Digital I/O 2
26	Digital I/O 3
Terminal 24 default function	AT ZERO SPEED output
Terminal 25 default function	DRIVE RESET input
Terminal 26 default function	RUN FORWARD input
Type	Positive or negative logic digital inputs, positive or negative logic push-pull outputs or open collector outputs
Input / output mode controlled by...	Pr 8.31, Pr 8.32 and Pr 8.33
Operating as an input	
Logic mode controlled by...	Pr 8.29
Absolute maximum applied voltage range	±30V
Impedance	6kΩ
Input thresholds	10.0V ±0.8V
Operating as an output	
Open collector outputs selected	Pr 8.30
Nominal maximum output current	200mA (total including terminal 22)
Maximum output current	240mA (total including terminal 22)
Common to all modes	
Voltage range	0V to +24V
Sample / Update period	250μs when configured as an input with destinations as Pr 6.35 or Pr 6.36. 600μs when configured as an input with destinations as Pr 6.29. 4ms in all other cases.

27	Digital Input 4
28	Digital Input 5
29	Digital Input 6
Terminal 27 default function	RUN REVERSE input
Terminal 28 default function	Analog INPUT 1 / INPUT 2 select
Terminal 29 default function	JOG SELECT input
Type	Negative or positive logic digital inputs
Logic mode controlled by...	Pr 8.29
Voltage range	0V to +24V
Absolute maximum applied voltage range	±30V
Impedance	6kΩ
Input thresholds	10.0V ±0.8V
Sample / Update period	250μs with destinations as Pr 6.35 or Pr 6.36. 600μs with destinations as Pr 6.29. 4ms in all other cases.

30	0V common
Function	Common connection for all external devices

6.18 Encoder connections

Figure 6-44 Location of encoder connector



31	Drive enable (SAFE TORQUE OFF (SECURE DISABLE) function)
Type	Positive logic only digital input
Voltage range	0V to +24V
Absolute maximum applied voltage	±30V
Thresholds	15.5V ±2.5V
Response time	Nominal: 8ms Maximum: 20ms
The drive enable terminal (T31) provides a SAFE TORQUE OFF (SECURE DISABLE) function. The SAFE TORQUE OFF (SECURE DISABLE) function meets the requirements of EN954-1 category 3 for the prevention of unexpected starting of the drive. It may be used in a safety-related application in preventing the drive from generating torque in the motor to a high level of integrity.	

Refer to section 6.19 *SAFE TORQUE OFF (SECURE DISABLE)* on page 99 for further information.

41	Relay contacts
42	
Default function	Drive OK indicator
Contact voltage rating	240Vac, Installation over-voltage category II
Contact maximum current rating	2A AC 240V 4A DC 30V resistive load 0.5A DC 30V inductive load (L/R = 40ms)
Contact minimum recommended rating	12V 100mA
Contact type	Normally open
Default contact condition	Closed when power applied and drive OK
Update period	4ms



A fuse or other over-current protection should be installed in the relay circuit.

WARNING

Table 6-29 Encoder types

Setting of Pr 3.38	Description
Ab (0)	Quadrature incremental encoder with or without marker pulse
Fd (1)	Incremental encoder with frequency pulses and direction, with or without marker pulse
Fr (2)	Incremental encoder with forward pulses and reverse pulses, with or without marker pulse
Ab.SErVO (3)	Quadrature incremental encoder with UVW commutation signals, with or without marker pulse Encoder with UVW commutation signals only (Pr 3.34 set to zero)*
Fd.SErVO (4)	Incremental encoder with frequency pulses and direction with commutation signals**, with or without marker pulse
Fr.SErVO (5)	Incremental encoder with forward pulses and reverse pulses with commutation signals**, with or without marker pulse
SC (6)	SinCos encoder without serial communications
SC.HiPEr (7)	Absolute SinCos encoder with HiperFace serial communications protocol (Stegmann)
EndAt (8)	Absolute EndAt serial communications encoder (Heidenhain)
SC.EndAt (9)	Absolute SinCos encoder with EnDat serial communications protocol (Heidenhain)
SSI (10)	Absolute SSI only encoder
SC.SSI (11)	Absolute SinCos encoder with SSI

* This feedback device provides very low resolution feedback and should not be used for applications requiring a high level of performance

** The U, V & W commutation signals are required with an incremental type encoder when used with a servo motor. The UVW commutation signals are used to define the motor position during the first 120° electrical rotation after the drive is powered-up or the encoder is initialized.

Table 6-30 Drive encoder connector details

Terminal	Setting of Pr 3.38											
	Ab (0)	Fd (1)	Fr (2)	Ab.SErVO (3)	Fd.SErVO (4)	Fr.SErVO (5)	SC (6)	SC.HiPEr (7)	EndAt (8)	SC.EndAt (9)	SSI (10)	SC.SSI (11)
1	A	F	F	A	F	F	Cos			Cos		Cos
2	A\	F\	F\	A\	F\	F\	Cosref			Cosref		Cosref
3	B	D	R	B	D	R	Sin			Sin		Sin
4	B\	D\	R\	B\	D\	R\	Sinref			Sinref		Sinref
5	Z*							Encoder input - Data (input/output)				
6	Z*							Encoder input - Data\ (input/output)				
7	Simulated encoder Aout, Fout**			U			Simulated encoder Aout, Fout**					
8	Simulated encoder Aout\, Fout**			U\			Simulated encoder Aout\, Fout**					
9	Simulated encoder Bout, Dout**			V			Simulated encoder Bout, Dout**					
10	Simulated encoder Bout\, Dout**			V\			Simulated encoder Bout\, Dout**					
11							W		Encoder input - Clock (output)			
12							W\		Encoder input - Clock\ (output)			
13	+V***											
14	0V common											
15	th****											

- * Marker pulse is optional
- ** Simulated encoder output only available in open-loop
- *** The encoder supply is selectable through parameter configuration to 5Vdc, 8Vdc and 15Vdc
- **** Terminal 15 is a parallel connection to T8 analog input 3. If this is to be used as a thermistor input, ensure that Pr 7.15 is set to 'th.sc' (7), 'th' (8) or 'th.diSP' (9).

NOTE

SSI encoders typically have maximum baud rate of 500kbaud. When a SSI only encoder is used for speed feedback with a closed loop vector or servo motor, a large speed feedback filter (Pr 3.42) is required due to the time taken for the position information to be transferred from the encoder into the drive. The addition of this filter means that SSI only encoders are not suitable for speed feedback in dynamic or high-speed applications.

6.18.1 Specifications

Feedback device connections

Ab, Fd, Fr, Ab.SErVO, Fd.SErVO and Fr.SErVO encoders

1	Channel A, Frequency or Forward inputs
2	Channel A\, Frequency\ or Forward\ inputs
3	Channel B, Direction or Reverse inputs
4	Channel B\, Direction\ or Reverse\ inputs
Type	EIA 485 differential receivers
Maximum input frequency	V01.06.01 and later: 500kHz V01.06.00 and earlier: 410kHz
Line loading	<2 unit loads
Line termination components	120Ω (switchable)
Working common mode range	+12V to -7V
Absolute maximum applied voltage relative to 0V	±25V
Absolute maximum applied differential voltage	±25V

5	Marker pulse channel Z
6	Marker pulse channel Z\
7	Phase channel U
8	Phase channel U\
9	Phase channel V
10	Phase channel V\
11	Phase channel W
12	Phase channel W\
Type	EIA 485 differential receivers
Maximum input frequency	512kHz
Line loading	32 unit loads (for terminals 5 and 6) 1 unit load (for terminals 7 to 12)
Line termination components	120Ω (switchable for terminals 5 and 6, always in circuit for terminals 7 to 12)
Working common mode range	+12V to -7V
Absolute maximum applied voltage relative to 0V	+14V to -9V
Absolute maximum applied differential voltage	+14V to -9V

SC, SC.HiPEr, EndAt, SC.EndAt, SSI and SC.SSI encoders

1	Channel Cos*
2	Channel Cosref*
3	Channel Sin*
4	Channel Sinref*
Type	Differential voltage
Maximum Signal level	1.25V peak to peak (sin with regard to sinref and cos with regard to cosref)
Maximum input frequency	See Table 6-31
Maximum applied differential voltage and common mode voltage range	±4V
<p>For the SinCos encoder to be compatible with Unidrive SPM, the output signals from the encoder must be a 1V peak to peak differential voltage (across Sin to Sinref and Cos to Cosref).</p> <p>The majority of encoders have a DC offset on all signals. Stegmann encoders typically have a 2.5Vdc offset. The Sinref and Cosref are a flat DC level at 2.5Vdc and the Cos and Sin signals have a 1V peak to peak waveform biased at 2.5Vdc.</p> <p>Encoders are available which have a 1V peak to peak voltage on Sin, Sinref, Cos and Cosref. This results in a 2V peak to peak voltage seen at the drive's encoder terminals. It is not recommended that encoders of this type are used with Unidrive SPM, and that the encoder feedback signals should meet the above parameters (1V peak to peak).</p> <p>Resolution: The sinewave frequency can be up to 500kHz but the resolution is reduced at high frequency. Table 6-31 shows the number of bits of interpolated information at different frequencies and with different voltage levels at the drive encoder port. The total resolution in bits per revolution is the ELPR plus the number of bits of interpolated information. Although it is possible to obtain 11 bits of interpolation information, the nominal design value is 10 bits.</p>	

* Not used with EndAt and SSI communications only encoders.

Table 6-31 Feedback resolution based on frequency and voltage level

Volt/Freq	1kHz	5kHz	50kHz	100kHz	200kHz	500kHz
1.2	11	11	10	10	9	8
1.0	11	11	10	9	9	7
0.8	10	10	10	9	8	7
0.6	10	10	9	9	8	7
0.4	9	9	9	8	7	6

5	Data**
6	Data**
11	Clock***
12	Clock***
Type	EIA 485 differential transceivers
Maximum frequency	2MHz
Line loading	32 unit loads (for terminals 5 and 6) 1 unit load (for terminals 11 and 12)
Working common mode range	+12V to -7V
Absolute maximum applied voltage relative to 0V	±14V
Absolute maximum applied differential voltage	±14V

** Not used with SC encoders.

*** Not used with SC and SC.HiPEr encoders.

Frequency slaving outputs (open loop only)

Ab, Fd, Fr, SC, SC.HiPEr, EndAt, SC.EndAt, SSI and SC.SSI encoders

7	Frequency slaving out channel A
8	Frequency slaving out channel A\
9	Frequency slaving out channel B
10	Frequency slaving out channel B\
Type	EIA 485 differential transceivers
Maximum output frequency	512kHz
Absolute maximum applied voltage relative to 0V	±14V
Absolute maximum applied differential voltage	±14V

Common to all Encoder types

13	Encoder supply voltage
Supply voltage	5.15V ±2%, 8V ±5% or 15V ±5%
Maximum output current	300mA for 5V and 8V* 200mA for 15V*
The voltage on terminal 13 is controlled by Pr 3.36. The default for this parameter is 5V (0) but this can be set to 8V (1) or 15V (2). Setting the encoder voltage supply too high for the encoder could result in damage to the feedback device.	
The termination resistors must be disabled if the outputs from the encoder are higher than 5V.	

14	0V common
-----------	------------------

15	Motor thermistor input
This terminal is connected internally to terminal 8 of the signal connector. Connect only one of these terminals to a motor thermistor. Analog input 3 must be in thermistor mode, Pr 7.15 = th.SC (7), th (8) or th.diSP (9).	

6.19 SAFE TORQUE OFF (SECURE DISABLE)

The SAFE TORQUE OFF (SECURE DISABLE) (STO) function provides a means for preventing the drive from generating torque in the motor, with a very high level of integrity. It is suitable for incorporation into a safety system for a machine. It is also suitable for use as a conventional drive enable input. The STO function makes use of the special property of an inverter drive with an induction motor, which is that torque cannot be generated without the continuous correct active behaviour of the inverter circuit. All credible faults in the inverter power circuit cause a loss of torque generation.

The STO function is fail-safe, so when the STO input is disconnected the drive will not operate the motor, even if a combination of components within the drive has failed. Most component failures are revealed by the drive failing to operate. STO is also independent of the drive firmware. This meets the requirements of EN954-1 category 3 for the prevention of operation of the motor.¹ On drives with date code P04 and later the STO input also meets the requirements of EN 81-1 clause 12.7.3 b) as part of a system for preventing unwanted operation of the motor in a lift (elevator).²

¹ Independent approval has been given by BGIA.

² Independent approval of concept has been given by TÜV. Please consult the separate guide for lift applications for further information.

STO can be used to eliminate electro-mechanical contactors, including special safety contactors, which would otherwise be required for safety applications.


Note on response time of SAFE TORQUE OFF (SECURE DISABLE), and use with safety controllers with self-testing outputs (drives with date code P04 and later).


SAFE TORQUE OFF (SECURE DISABLE) has been designed to have a response time of greater than 1ms, so that it is compatible with safety controllers whose outputs are subject to a dynamic test with a pulse width not exceeding 1ms. For applications where a fast-acting disable function is required, please see section section 13.21.10 *Fast Disable* on page 262.


Note on the use of servo motors, other permanent-magnet motors, reluctance motors and salient-pole induction motors.


When the drive is disabled through SAFE TORQUE OFF (SECURE DISABLE), a possible (although highly unlikely) failure mode is for two power devices in the inverter circuit to conduct incorrectly.

This fault cannot produce a steady rotating torque in any AC motor. It produces no torque in a conventional induction motor with a cage rotor. If the rotor has permanent magnets and/or saliency, then a transient alignment torque may occur. The motor may briefly try to rotate by up to 180° electrical, for a permanent magnet motor, or 90° electrical, for a salient pole induction motor or reluctance motor. This possible failure mode must be allowed for in the machine design.

	The design of safety-related control systems must only be done by personnel with the required training and experience.
	The STO function will only ensure the safety of a machine if it is correctly incorporated into a complete safety system. The system must be subject to a risk assessment to confirm that the residual risk of an unsafe event is at an acceptable level for the application.

	To maintain category 3 according to EN954-1 environment limits given in section 14.1 <i>Drive</i> on page 263 must be observed.
---	---

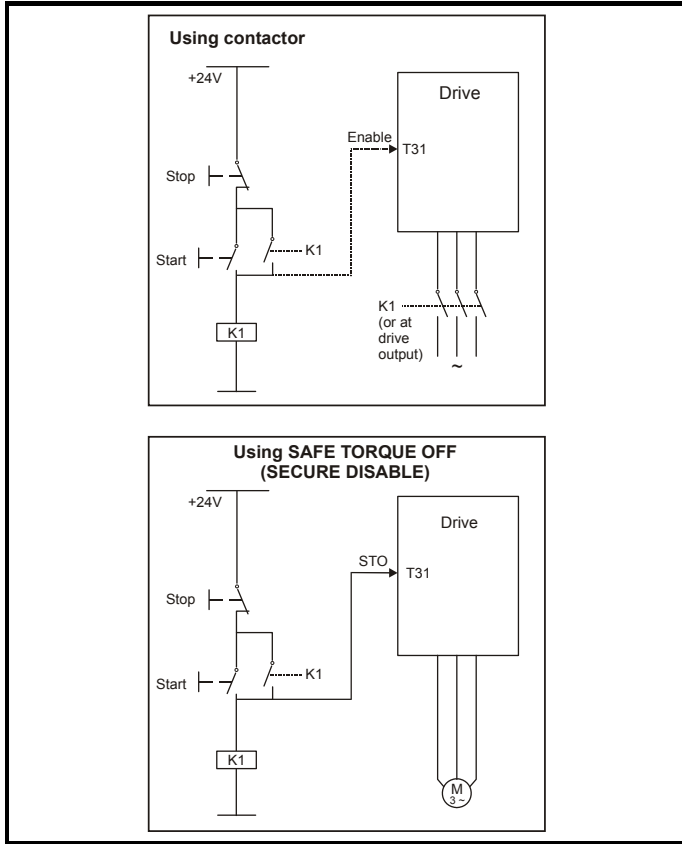
	STO inhibits the operation of the drive, this includes inhibiting braking. If the drive is required to provide both braking and SAFE TORQUE OFF (SECURE DISABLE) in the same operation (e.g. for emergency stop) then a safety timer relay or similar device must be used to ensure that the drive is disabled a suitable time after braking. The braking function in the drive is provided by an electronic circuit which is not fail-safe. If braking is a safety requirement, it must be supplemented by an independent fail-safe braking mechanism.
---	---

	STO does not provide electrical isolation. The supply to the drive must be disconnected by an approved isolation device before gaining access to power connections.
---	---

The following diagrams illustrate how the STO input can be used to eliminate contactors and safety contactors from control systems. Please note these are provided for illustration only, every specific arrangement must be verified for suitability in the proposed application.

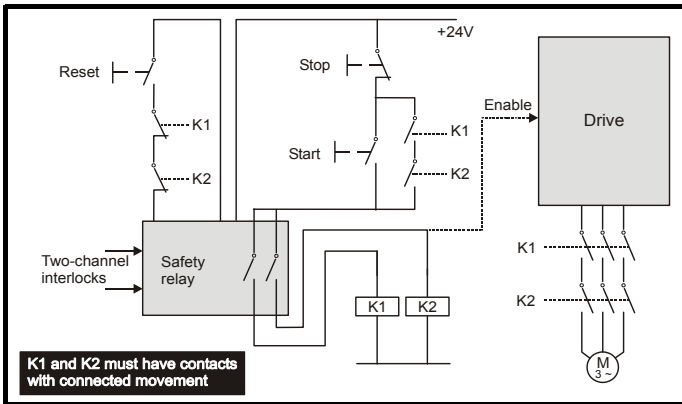
In the first example, illustrated in Figure 6-45, the STO function is used to replace a simple power contactor in applications where the risk of injury from unexpected starting is small, but it is not acceptable to rely on the complex hardware and firmware/software used by the stop/start function within the drive.

Figure 6-45 Start / stop control EN954-1 category B - replacement of contactor



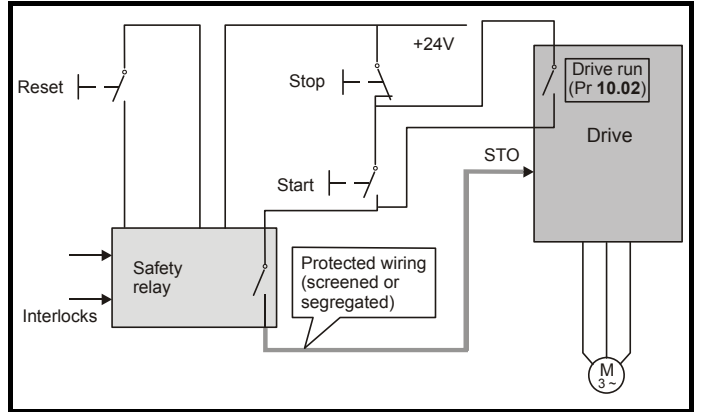
In the second example, illustrated in Figure 6-46 and Figure 6-47, a conventional high-integrity system which uses two safety contactors with auxiliary contacts with connected movement is replaced by a single SAFE TORQUE OFF (SECURE DISABLE) system. This arrangement meets EN954-1 category 3.

Figure 6-46 Category 3 interlock using electromechanical safety contactors



The safety function of the example circuit is to ensure that the motor does not operate when the interlocks are not signalling a safe state. The safety relay is used to check the two interlock channels and detect faults in those channels. The stop/start buttons are shown for completeness as part of a typical arrangement, they do not carry out a safety function and are not necessary for the safe operation of the circuit

Figure 6-47 Category 3 interlock using SAFE TORQUE OFF (SECURE DISABLE) with protected wiring



In the conventional system, a contactor failure in the unsafe direction is detected the next time the safety relay is reset. Since the drive is not part of the safety system it has to be assumed that AC power is always available to drive the motor, so two contactors in series are required in order to prevent the first failure from causing an unsafe event (i.e. the motor driven).

With SAFE TORQUE OFF (SECURE DISABLE) there are no single faults in the drive which can permit the motor to be driven. Therefore it is not necessary to have a second channel to interrupt the power connection, nor a fault detection circuit.

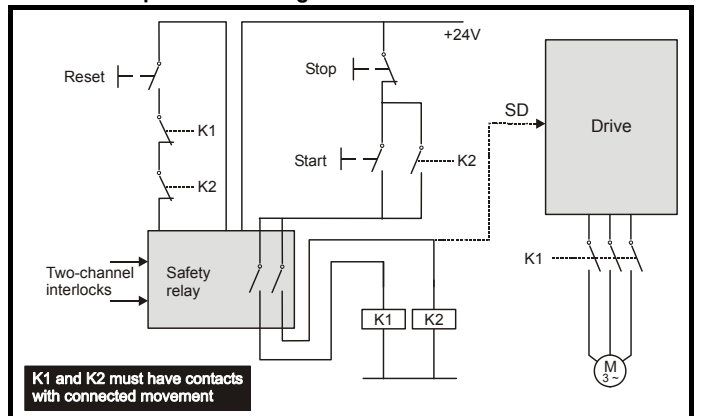
It is important to note that a single short-circuit from the Enable input (STO) to a DC supply of approximately +24V would cause the drive to be enabled. For this reason, Figure 6-47 shows the wire from the Enable input to the safety relay as "protected wiring" so that the possibility of a short circuit from this wire to the DC supply can be excluded, as specified in ISO 13849-2. The wiring can be protected by placing it in a segregated cable duct or other enclosure, or by providing it with a grounded shield. The shield is provided to avoid a hazard from an electrical fault. It may be grounded by any convenient method, no special EMC precautions are required.

If the use of protected wiring is not acceptable, then a relay must be used to monitor the state of the Enable input, together with a single safety contactor to prevent operation of the motor after a fault. This is illustrated in Figure 6-48.

NOTE

The auxiliary relay K2 must be located in the same enclosure and close to the drive, with its coil connected as closely as possible to the drive enable (STO) input.

Figure 6-48 Use of contactor and relay to avoid the need for protected wiring



For further applications guidance, refer to the *Unidrive SP Advanced User Guide*.

7 Getting Started

This chapter introduces the user interfaces, menu structure and security level of the drive.

7.1 Understanding the display

There are two keypads available for the Unidrive SP. The SM-Keypad has an LED display and the SM-Keypad Plus has an LCD display. Both keypads can be installed on the drive but the SM-Keypad Plus can also be remotely mounted on an enclosure door.

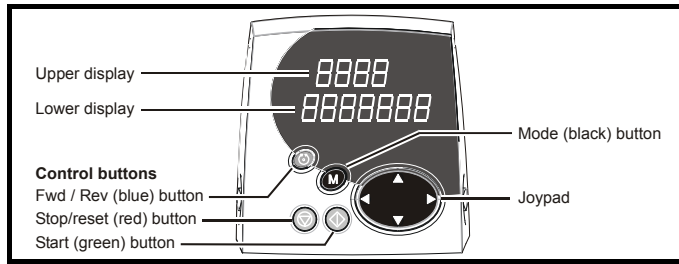
7.1.1 SM-Keypad (LED)

The display consists of two horizontal rows of 7 segment LED displays.

The upper display shows the drive status or the current menu and parameter number being viewed.

The lower display shows the parameter value or the specific trip type.

Figure 7-1 SM-Keypad



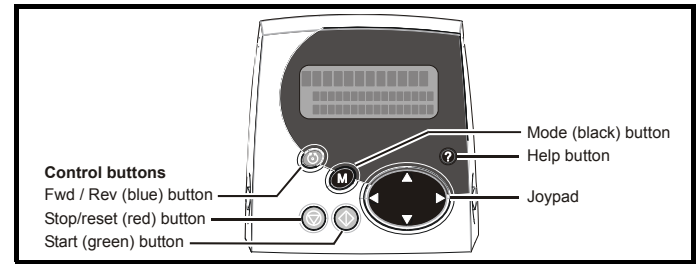
7.1.2 SM-Keypad Plus (LCD)

The display consists of three lines of text.

The top line shows the drive status or the current menu and parameter number being viewed on the left, and the parameter value or the specific trip type on the right.

The lower two lines show the parameter name or the help text.

Figure 7-2 SM-Keypad Plus



NOTE The red stop button is also used to reset the drive.

Both the SM-Keypad and the SM-Keypad Plus can indicate when a SMARTCARD access is taking place or when the second motor map is active (menu 21). These are indicated on the displays as follows.

	SM-Keypad	SM-Keypad Plus
SMARTCARD access taking place	The decimal point after the fourth digit in the upper display will flash.	The symbol 'CC' will appear in the lower left hand corner of the display
Second motor map active	The decimal point after the third digit in the upper display will flash.	The symbol 'Mot2' will appear in the lower left hand corner of the display

7.2 Keypad operation

7.2.1 Control buttons

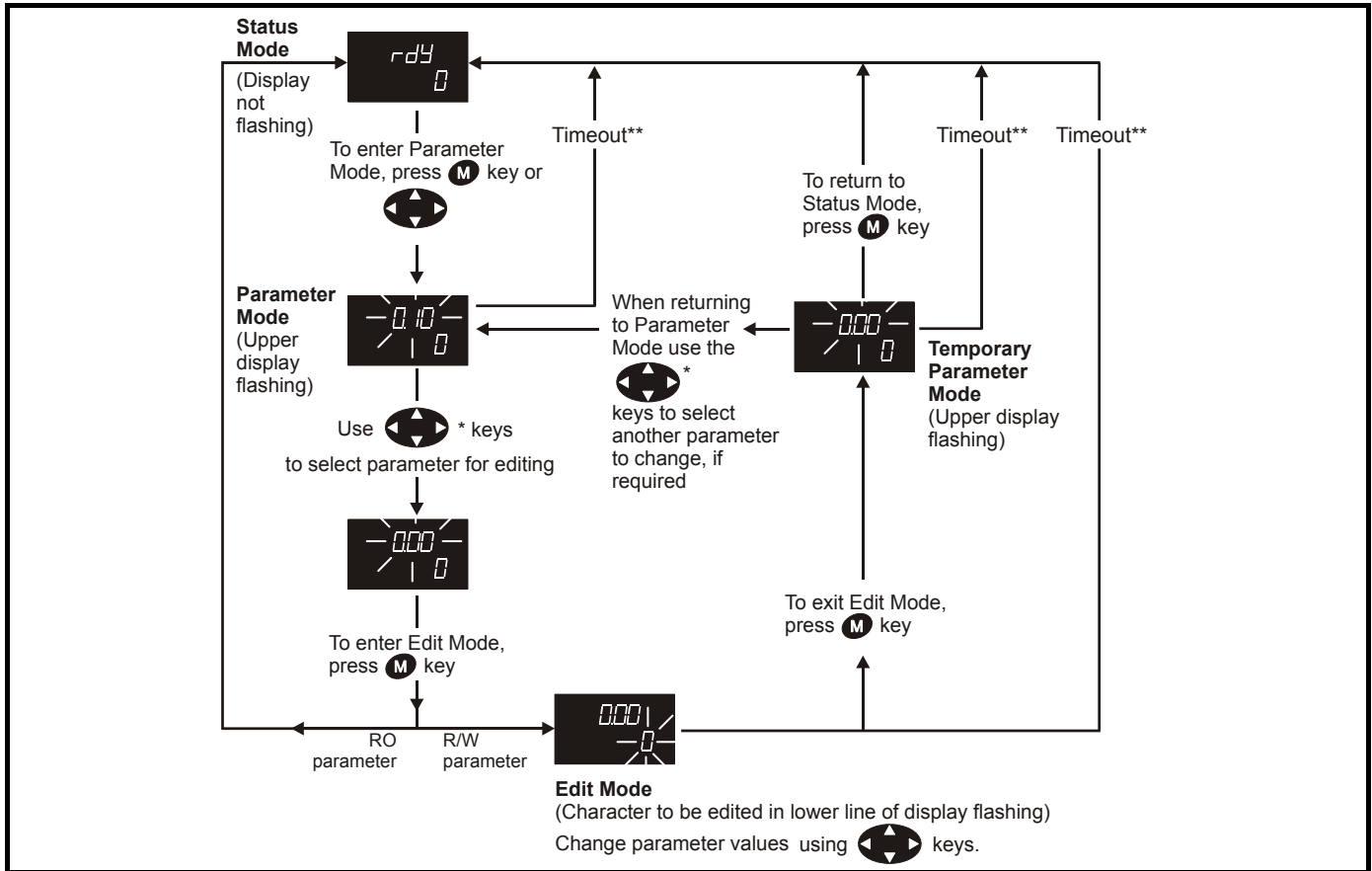
The keypad consists of:

1. Joypad - used to navigate the parameter structure and change parameter values.
2. Mode button - used to change between the display modes – parameter view, parameter edit, status.
3. Three control buttons - used to control the drive if keypad mode is selected.
4. Help button (SM-Keypad Plus only) - displays text briefly describing the selected parameter.

The Help button toggles between other display modes and parameter help mode. The up and down functions on the joypad scroll the help text to allow the whole string to be viewed. The right and left functions on the joypad have no function when help text is being viewed.

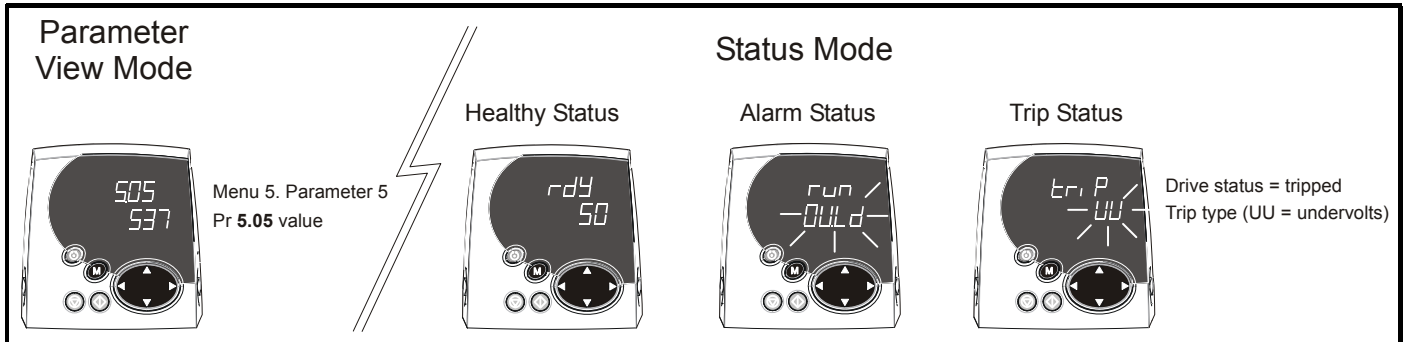
The display examples in this section show the SM-Keypad 7 segment LED display. The examples are the same for the SM-Keypad Plus except that the information displayed on the lower row on the SM-Keypad is displayed on the right hand side of the top row on the SM-Keypad Plus.

Figure 7-3 Display modes



* can only be used to move between menus if L2 access has been enabled (Pr 0.49). Refer to section 7.9 on page 106.
 **Timeout defined by Pr 11.41 (default value = 240s).

Figure 7-4 Mode examples



WARNING
 Do not change parameter values without careful consideration; incorrect values may cause damage or a safety hazard.

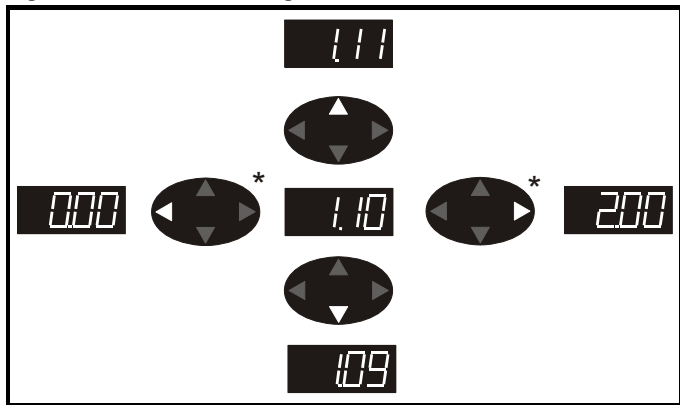
NOTE
 When changing the values of parameters, make a note of the new values in case they need to be entered again.

NOTE
 For new parameter-values to apply after the AC supply to the drive is interrupted, new values must be saved. Refer to section 7.7 Saving parameters on page 105.

7.3 Menu structure

The drive parameter structure consists of menus and parameters. The drive initially powers up so that only menu 0 can be viewed. The up and down arrow buttons are used to navigate between parameters and once level 2 access (L2) has been enabled (see Pr 0.49) the left and right buttons are used to navigate between menus. For further information, refer to section 7.9 Parameter access level and security on page 106.

Figure 7-5 Parameter navigation

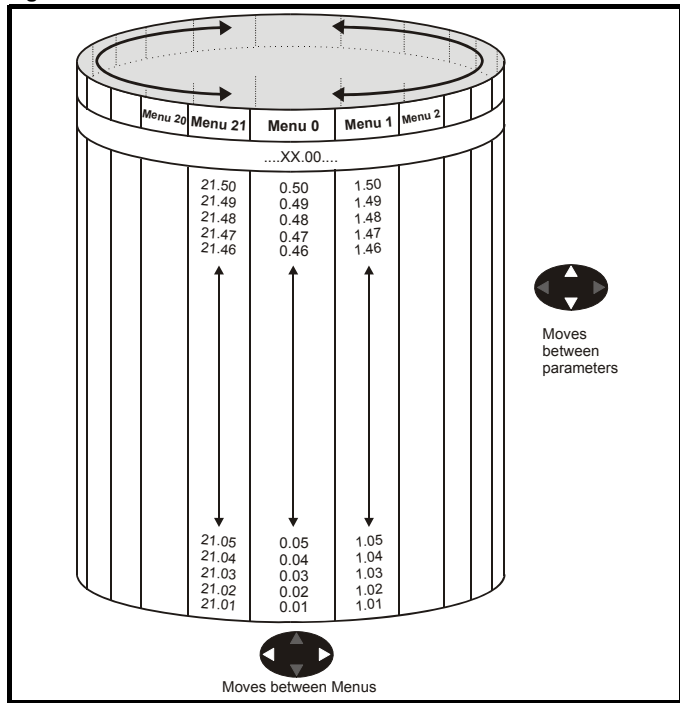


* can only be used to move between menus if L2 access has been enabled (Pr 0.49). Refer to section 7.9 *Parameter access level and security* on page 106.

The menus and parameters roll over in both directions.
 i.e. if the last parameter is displayed, a further press will cause the display to rollover and show the first parameter.

When changing between menus the drive remembers which parameter was last viewed in a particular menu and thus displays that parameter.

Figure 7-6 Menu structure

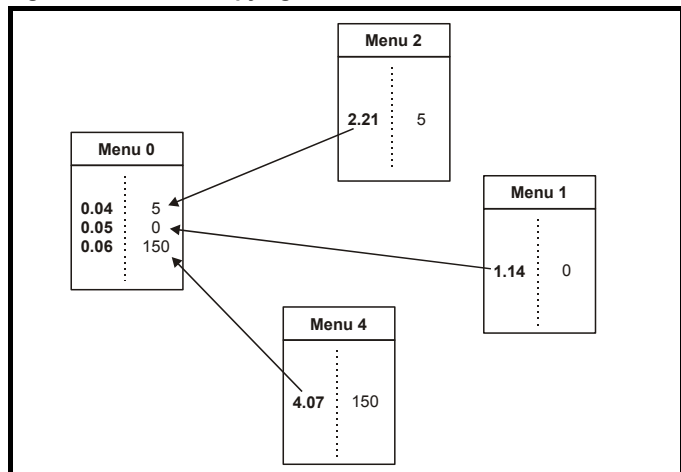


7.4 Menu 0

Menu 0 is used to bring together various commonly used parameters for basic easy set up of the drive. Appropriate parameters are copied from the advanced menus into menu 0 and thus exist in both locations.

For further information, refer to Chapter 8 *Basic parameters* on page 109.

Figure 7-7 Menu 0 copying



7.5 Advanced menus

The advanced menus consist of groups or parameters appropriate to a specific function or feature of the drive. Menus 0 to 22 can be viewed on all keypads. Menus 40 and 41 are specific to the SM-Keypad Plus (LCD). Menus 70 to 91 can be viewed with an SM-Keypad Plus (LCD) only when an SM-Applications is installed.

Table 7-1 Advanced menu descriptions

Menu	Description	LED	LCD
0	Commonly used basic set up parameters for quick / easy programming	✓	✓
1	Frequency / speed reference	✓	✓
2	Ramps	✓	✓
3	Slave frequency, speed feedback and speed control	✓	✓
4	Torque and current control	✓	✓
5	Motor control	✓	✓
6	Sequencer and clock	✓	✓
7	Analog I/O	✓	✓
8	Digital I/O	✓	✓
9	Programmable logic, motorized pot and binary sum	✓	✓
10	Status and trips	✓	✓
11	General drive set-up	✓	✓
12	Threshold detectors and variable selectors	✓	✓
13	Position control	✓	✓
14	User PID controller	✓	✓
15, 16, 17	Solutions Module set-up	✓	✓
18	Application menu 1	✓	✓
19	Application menu 2	✓	✓
20	Application menu 3	✓	✓
21	Second motor parameters	✓	✓
22	Additional Menu 0 set-up	✓	✓
40	Keypad configuration menu	X	✓
41	User filter menu	X	✓
70	PLC registers	X	✓
71	PLC registers	X	✓
72	PLC registers	X	✓
73	PLC registers	X	✓
74	PLC registers	X	✓
75	PLC registers	X	✓
85	Timer function parameters	X	✓
86	Digital I/O parameters	X	✓
88	Status parameters	X	✓
90	General parameters	X	✓
91	Fast access parameters	X	✓

7.5.1 SM-Keypad set-up menus

Table 7-2 Menu 40 parameter descriptions

Parameter	Range(⇅)
40.00	Parameter 0 0 to 32767
40.01	Language selection English (0), Custom (1), French (2), German (3), Spanish (4), Italian (5)
40.02	Software version 999999
40.03	Save to flash Idle (0), Save (1), Restore (2), Default (3)
40.04	LCD contrast 0 to 31
40.05	Drive and attribute database upload was bypassed Updated (0), Bypass (1)
40.06	Browsing favourites control Normal (0), Filter (1)
40.07	Keypad security code 0 to 999
40.08	Communication channel selection Disable (0), Slot1 (1), Slot2 (2), Slot3 (3), Slave (4), Direct (5)
40.09	Hardware key code 0 to 999
40.10	Drive node ID (Address) 0 to 255
40.11	Flash ROM memory size 4Mbit (0), 8Mbit (1)
40.18	Assistance on action threshold parameter 0 to 499.99
40.19	String database version number 0 to 999999
40.20	Screen saver strings and enable None (0), Default (1), User (2)
40.21	Screen saver interval 0 to 600
40.22	Turbo browse time interval 0 to 200ms

Table 7-3 Menu 41 parameter descriptions

Parameter	Range(⇅)
41.00	Parameter 0 0 to 32767
41.01 to 41.50	Browsing filter source F01 to F50 Pr 0.00 to Pr 391.51
41.51	Browsing favourites control Normal (0), Filter (1)

7.5.2 Display messages

The following tables indicate the various possible mnemonics which can be displayed by the drive and their meaning.

Trip types are not listed here but can be found in Chapter 8 *Basic parameters* on page 109 if required.

Table 7-4 Alarm indications

Lower display	Description
br.rS	Braking resistor overload
	Braking resistor I ² t accumulator (Pr 10.37) in the drive has reached 75.0% of the value at which the drive will trip and the braking IGBT is active.
Hot	Heatsink or control board or inverter IGBT over temperature alarms are active
	<ul style="list-style-type: none"> The drive heatsink temperature has reached a threshold and the drive will trip 'Oh2' if the temperature continues to rise (see the 'Oh2' trip). or <ul style="list-style-type: none"> The ambient temperature around the control PCB is approaching the over temperature threshold (see the 'O.CTL' trip).
OVLd	Motor overload
	The motor I ² t accumulator in the drive has reached 75% of the value at which the drive will be tripped and the load on the drive is >100%
Auto tune	Autotune in progress
	The autotune procedure has been initialised. 'Auto' and 'tunE' will flash alternatively on the display.
Lt	Limit switch is active
	Indicates that a limit switch is active and that it is causing the motor to be stopped (i.e. forward limit switch with forward reference etc.)
PLC	Onboard PLC program is running
	An Onboard PLC program is installed and running. The lower display will flash 'PLC' once every 10s.

Table 7-5 Solutions Module and SMARTCARD status indications on power-up

Lower display	Description
boot	A parameter set is being transferred from the SMARTCARD to the drive during power-up. For further information, please refer to section 11.2.4 <i>Booting up from the SMARTCARD on every power up</i> (Pr 11.42 = boot (4)) on page 151.
cArd	The drive is writing a parameter set to the SMARTCARD during power-up. For further information, please refer to section 11.2.3 <i>Auto saving parameter changes</i> (Pr 11.42 = Auto (3)) on page 151.
IoAging	The drive is writing information to a Solutions Module.




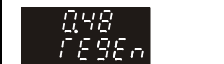
7.6 Changing the operating mode

Changing the operating mode returns all parameters to their default value, including the motor parameters. (Pr **0.49 Security status** and Pr **0.34 User security code** are not affected by this procedure.)


Procedure

Use the following procedure only if a different operating mode is required:

- Ensure the drive is not enabled, i.e. terminal 31 is open or Pr **6.15** is Off (0)
- Enter either of the following values in Pr **xx.00**, as appropriate:
 - 1253 (EUR, 50Hz AC supply frequency)
 - 1254 (USA, 60Hz AC supply frequency)
- Change the setting of Pr **0.48** as follows:

Pr 0.48 setting	Operating mode
	1 Open-loop
	2 Closed-loop vector
	3 Closed-loop Servo
	4 Regen (See the <i>Unidrive SP Regen Installation Guide</i> for more information about operating in this mode)

The figures in the second column apply when serial communications are used.

- Either:
 - Press the red  reset button
 - Toggle the reset digital input
 - Carry out a drive reset through serial communications by setting Pr **10.38** to 100 (ensure that Pr **xx.00** returns to 0).

NOTE

Entering 1253 or 1254 in Pr **xx.00** will only load defaults if the setting of Pr **0.48** has been changed.

7.7 Saving parameters


When changing a parameter in Menu 0, the new value is saved when pressing the **M** Mode button to return to parameter view mode from parameter edit mode.

If parameters have been changed in the advanced menus, then the change will not be saved automatically. A save function must be carried out.

Procedure

Enter 1000* in Pr **xx.00**

Either:

- Press the red  reset button
- Toggle the reset digital input
- Carry out a drive reset through serial communications by setting Pr **10.38** to 100 (ensure that Pr **xx.00** returns to 0).

*If the drive is in the under voltage trip state or is being supplied from a low voltage DC supply, a value of 1001 must be entered into Pr **xx.00** to perform a save function.

7.8 Restoring parameter defaults

Restoring parameter defaults by this method saves the default values in the drive's memory. (Pr **0.49** and Pr **0.34** are not affected by this procedure.)

Procedure

- Ensure the drive is not enabled, i.e. terminal 31 is open or Pr **6.15** is Off (0)
- Enter 1233 (EUR 50Hz settings) or 1244 (USA 60Hz settings) in Pr **xx.00**.

Disabling User Security

Unlock the previously set security code as detailed above. Set Pr **0.34** to 0 and press the **M** button. The User Security has now been disabled, and will not have to be unlocked each time the drive is powered up to allow read / write access to the parameters.

7.10 Displaying parameters with non-default values only

By entering 12000 in Pr **xx.00**, the only parameters that will be visible to the user will be those containing a non-default value. This function does not require a drive reset to become active. In order to deactivate this function, return to Pr **xx.00** and enter a value of 0.

Please note that this function can be affected by the access level enabled, refer to *section 7.9 Parameter access level and security* for further information regarding access level.

7.11 Displaying destination parameters only

By entering 12001 in Pr **xx.00**, the only parameters that will be visible to the user will be destination parameters. This function does not require a drive reset to become active. In order to deactivate this function, return to Pr **xx.00** and enter a value of 0.

Please note that this function can be affected by the access level enabled, refer to *section 7.9 Parameter access level and security* for further information regarding access level.

7.12 Serial communications

7.12.1 Introduction

The Unidrive SP has a standard 2-wire EIA485 interface (serial communications interface) which enables all drive set-up, operation and monitoring to be carried out with a PC or controller if required. Therefore, it is possible to control the drive entirely by serial communications without the need for a SM-keypad or other control cabling. The drive supports two protocols selected by parameter configuration:

- Modbus RTU
- CT ANSI

Modbus RTU has been set as the default protocol, as it is used with the PC-tools commissioning/start-up software as provided on the CD ROM.

The serial communications port of the drive is a RJ45 socket, which is isolated from the power stage and the other control terminals (see section 6.16 *Serial communications connections* for connection and isolation details).

The communications port applies a 2 unit load to the communications network.

USB/EIA232 to EIA485 Communications

An external USB/EIA232 hardware interface such as a PC cannot be used directly with the 2-wire EIA485 interface of the drive. Therefore a suitable converter is required.

Suitable USB to EIA485 and EIA232 to EIA485 isolated converters are available from Control Techniques as follows:

- CT USB Comms cable (CT Part No. 4500-0096)
- CT EIA232 Comms cable (CT Part No. 4500-0087)

When using one of the above converters or any other suitable converter with the Unidrive SP, it is recommended that no terminating resistors be connected on the network. It may be necessary to 'link out' the terminating resistor within the converter depending on which type is used. The information on how to link out the terminating resistor will normally be contained in the user information supplied with the converter.

7.12.2 Serial communications set-up parameters

The following parameters need to be set according to the system requirements.

0.35 {11.24} Serial mode	
RW	Txt
↕	AnSI (0) rtU (1)
⇒	rtU (1)

This parameter defines the communications protocol used by the 485 comms port on the drive. This parameter can be changed via the drive keypad, via a Solutions Module or via the comms interface itself. If it is changed via the comms interface, the response to the command uses the original protocol. The master should wait at least 20ms before send a new message using the new protocol. (Note: ANSI uses 7 data bits, 1 stop bit and even parity; Modbus RTU uses 8 data bits, 2 stops bits and no parity.)

Comms value	String	Communications mode
0	AnSI	ANSI
1	rtU	Modbus RTU protocol
2	Lcd	Modbus RTU protocol, but with an SM-Keypad only

ANSIx3.28 protocol

Full details of the CT ANSI communications protocol are the *Advanced User Guide*.

Modbus RTU protocol

Full details of the CT implementation of Modbus RTU are given in the *Advanced User Guide*.

Modbus RTU protocol, but with an SM-Keypad only

This setting is used for disabling communications access when the SM-Keypad is used as a hardware key. See the *Advanced User Guide* for more details.

0.36 {11.25} Serial communications baud rate	
RW	Txt
↕	300 (0), 600 (1), 1200 (2), 2400 (3), 4800 (4), 9600 (5), 19200 (6), 38400 (7), 57600 (8)*, 115200 (9)*
⇒	19200 (6)

* only applicable to Modbus RTU mode

This parameter can be changed via the drive keypad, via a Solutions Module or via the comms interface itself. If it is changed via the comms interface, the response to the command uses the original baud rate. The master should wait at least 20ms before sending a new message using the new baud rate.

NOTE

When using the CT EIA232 Comms cable the available baud rate is limited to 19.2k baud.

0.37 {11.23} Serial communications address	
RW	Txt
↕	0 to 247
⇒	1

Used to define the unique address for the drive for the serial interface. The drive is always a slave.

Modbus RTU

When the Modbus RTU protocol is used addresses between 0 and 247 are permitted. Address 0 is used to globally address all slaves, and so this address should not be set in this parameter

ANSI

When the ANSI protocol is used the first digit is the group and the second digit is the address within a group. The maximum permitted group number is 9 and the maximum permitted address within a group is

9. Therefore, Pr **0.37** is limited to 99 in this mode. The value 00 is used to globally address all slaves on the system, and x0 is used to address all slaves of group x, therefore these addresses should not be set in this parameter.

8 Basic parameters

Menu 0 is used to bring together various commonly used parameters for basic easy set up of the drive. All the parameters in menu 0 appear in other menus in the drive (denoted by {...}).

Menus 11 and 22 can be used to change most of the parameters in menu 0. Menu 0 can also contain up to 59 parameters by setting up menu 22.

8.1 Single line descriptions

Parameter			Range(⇅)			Default(⇨)			Type						
			OL	VT	SV	OL	VT	SV							
0.00	xx.00	{x.00}	0 to 32,767			0			RW	Uni					
0.01	Minimum reference clamp	{1.07}	±3,000.0Hz	±SPEED_LIMIT_MAX Hz/rpm		0.0			RW	Bi			PT	US	
0.02	Maximum reference clamp	{1.06}	0 to 3,000.0Hz	SPEED_LIMIT_MAX Hz/rpm		EUR> 50.0 USA> 60.0	EUR> 1,500.0 USA> 1,800.0	3,000.0	RW	Uni				US	
0.03	Acceleration rate	{2.11}	0.0 to 3,200.0 s/100Hz	0.000 to 3,200.000 s/1,000rpm		5.0	2.000	0.200	RW	Uni				US	
0.04	Deceleration rate	{2.21}	0.0 to 3,200.0 s/100Hz	0.000 to 3,200.000 s/1,000rpm		10.0	2.000	0.200	RW	Uni				US	
0.05	Reference select	{1.14}	A1.A2 (0), A1.Pr (1), A2.Pr (2), Pr (3), PAd (4), Prc (5)			A1.A2 (0)			RW	Txt		NC		US	
0.06	Current limit	{4.07}	0 to Current_limit_max %			138.1	165.7	150.0	RW	Uni		RA		US	
0.07	OL> Voltage mode select	{5.14}	Ur_S (0), Ur (1), Fd (2), Ur_Auto (3), Ur_I (4), SrE (5)			Ur_I (4)			RW	Txt				US	
	CL> Speed controller P gain	{3.10}		0.0000 to 6.5535 1/rad s ⁻¹			0.0300	0.0100	RW	Uni				US	
0.08	OL> Voltage boost	{5.15}	0.0 to 25.0% of motor rated voltage			1.0			RW	Uni				US	
	CL> Speed controller I gain	{3.11}		0.00 to 655.35 1/rad			0.10	1.00	RW	Uni				US	
0.09	OL> Dynamic V/F	{5.13}	OFF (0) or On (1)			0			RW	Bit				US	
	CL> Speed controller D gain	{3.12}		0.00000 to 0.65535 (s)			0.00000		RW	Uni				US	
0.10	OL> Estimated motor speed	{5.04}	±180,000 rpm						RO	Bi	FI	NC	PT		
	CL> Motor speed	{3.02}				±Speed_max rpm			RO	Bi	FI	NC	PT		
0.11	OL & VT> Drive output frequency	{5.01}	±Speed_freq_max Hz	±1250 Hz						RO	Bi	FI	NC	PT	
	SV> Drive encoder position	{3.29}				0 to 65,535 1/2 ¹⁶ ths of a revolution					RO	Uni	FI	NC	PT
0.12	Total motor current	{4.01}	0 to Drive_current_max A						RO	Uni	FI	NC	PT		
0.13	OL & VT> Motor active current	{4.02}	±Drive_current_max A						RO	Bi	FI	NC	PT		
	SV> Analog input 1 offset trim	{7.07}				±10.000 %		0.000		RW	Bi				US
0.14	Torque mode selector	{4.11}	0 to 1	0 to 4		Speed control mode (0)			RW	Uni				US	
0.15	Ramp mode select	{2.04}	FASt (0) Std (1) Std.hV (2)	FASt (0) Std (1)		Std (1)			RW	Txt				US	
0.16	OL> T28 and T29 auto-selection disable	{8.39}	OFF (0) or On (1)			OFF (0)			RW	Bit				US	
	CL> Ramp enable	{2.02}	OFF (0) or On (1)			On (1)			RW	Bit				US	
0.17	OL> T29 digital input destination	{8.26}	Pr 0.00 to Pr 21.51			Pr 6.31			RW	Uni	DE		PT	US	
	CL> Current demand filter time constant	{4.12}	0.0 to 25.0 ms			0.0			RW	Uni				US	
0.18	Positive logic select	{8.29}	OFF (0) or On (1)			On (1)			RW	Bit			PT	US	
0.19	Analog input 2 mode	{7.11}	0-20 (0), 20-0 (1), 4-20tr (2), 20-4tr (3), 4-20 (4), 20-4 (5), VOLt (6)			VOLt (6)			RW	Txt				US	
0.20	Analog input 2 destination	{7.14}	Pr 0.00 to Pr 21.51			Pr 1.37			RW	Uni	DE		PT	US	
0.21	Analog input 3 mode	{7.15}	0-20 (0), 20-0 (1), 4-20tr (2), 20-4tr (3), 4-20 (4), 20-4 (5), VOLt (6), th.SC (7), th (8), th.diSp (9)			th (8)			RW	Txt			PT	US	
0.22	Bipolar reference select	{1.10}	OFF (0) or On (1)			OFF (0)			RW	Bit				US	
0.23	Jog reference	{1.05}	0 to 400.0 Hz	0 to 4000.0 rpm		0.0			RW	Uni				US	
0.24	Pre-set reference 1	{1.21}	±Speed_limit_max rpm			0.0			RW	Bi				US	
0.25	Pre-set reference 2	{1.22}	±Speed_limit_max rpm			0.0			RW	Bi				US	
0.26	OL> Pre-set reference 3	{1.23}	±Speed_freq_max Hz/rpm			0.0			RW	Bi				US	
	CL> Overspeed threshold	{3.08}	0 to 40,000 rpm			0			RW	Uni				US	
0.27	OL> Pre-set reference 4	{1.24}	±Speed_freq_max Hz/rpm			0.0			RW	Bi				US	
	CL> Drive encoder lines per revolution	{3.34}	0 to 50,000			1024		4096	RW	Uni				US	
0.28	Keypad fwd/rev key enable	{6.13}	OFF (0) or On (1)			OFF (0)			RW	Bit				US	

Parameter			Range(↕)			Default(↔)			Type					
			OL	VT	SV	OL	VT	SV						
0.29	SMARTCARD parameter data	{11.36}	0 to 999			0			RO	Uni		NC	PT	US
0.30	Parameter copying	{11.42}	nonE (0), rEAd (1), Prog (2), AutO (3), boot (4)			nonE (0)			RW	Txt		NC		*
0.31	Drive rated voltage	{11.33}	200 (0), 400 (1), 575 (2), 690 (3) V						RO	Txt		NC	PT	
0.32	Maximum Heavy Duty current rating	{11.32}	0.00 to 9999.99A						RO	Uni		NC	PT	
0.33	OL> Catch a spinning motor	{6.09}	0 to 3			0			RW	Uni				US
	VT> Rated rpm autotune	{5.16}		0 to 2			0		RW	Uni				US
0.34	User security code	{11.30}	0 to 999			0			RW	Uni		NC	PT	PS
0.35	Serial comms mode	{11.24}	AnSI (0), rtu (1), Lcd (2)			rtU (1)			RW	Txt				US
0.36	Serial comms baud rate	{11.25}	300 (0), 600 (1), 1200 (2), 2400 (3), 4800 (4), 9600 (5), 19200 (6), 38400 (7), 57600 (8) Modbus RTU only, 115200 (9) Modbus RTU only			19200 (6)			RW	Txt				US
0.37	Serial comms address	{11.23}	0 to 247			1			RW	Uni				US
0.38	Current loop P gain	{4.13}	0 to 30,000			All voltage ratings: 20	200V drive: 75 400V drive: 150 575V drive: 180 690V drive: 215		RW	Uni				US
0.39	Current loop I gain	{4.14}	0 to 30,000			All voltage ratings: 40	200V drive: 1000 400V drive: 2000 575V drive: 2400 690V drive: 3000		RW	Uni				US
0.40	Autotune	{5.12}	0 to 2	0 to 4	0 to 6	0			RW	Uni				
0.41	Maximum switching frequency	{5.18}	3 (0), 4 (1), 6 (2)			3 (0)		6 (2)	RW	Txt		RA		US
0.42	No. of motor poles	{5.11}	0 to 60 (Auto to 120 pole)			0 (Auto)		6 POLE (3)	RW	Txt				US
0.43	OL & VT> Motor rated power factor	{5.10}	0.000 to 1.000			0.850			RW	Uni				US
	SV> Encoder phase angle	{3.25}			0.0 to 359.9°			0.0	RW	Uni				US
0.44	Motor rated voltage	{5.09}	0 to AC_voltage_set_max V			200V drive: 230 400V drive: EUR> 400, USA> 460 575V drive: 575 690V drive: 690			RW	Uni		RA		US
0.45	OL & VT> Motor rated full load speed (rpm)	{5.08}	0 to 180,000 rpm	0.00 to 40,000.00 rpm		EUR> 1,500 USA> 1,800	EUR> 1,450.00 USA> 1,770.00		RW	Uni				US
	SV> Motor thermal time constant	{4.15}			0.0 to 3000.0			20.0	RW	Uni				US
0.46	Motor rated current	{5.07}	0 to Rated_current_max A			Drive rated current [11.32]			RW	Uni		RA		US
0.47	Rated frequency	{5.06}	0 to 3,000.0 Hz	0 to 1,250.0 Hz		EUR> 50.0 USA> 60.0			RW	Uni				US
0.48	Operating mode selector	{11.31}	OPEn LP (1), CL VECt (2), SERVO (3), rEgEn (4)			OPEn LP (1)	CL VECt (2)	SERVO (3)	RW	Txt		NC	PT	
0.49	Security status	{11.44}	L1 (0), L2 (1), Loc (2)						RW	Txt			PT	US
0.50	Software version	{11.29}	1.00 to 99.99						RO	Uni		NC	PT	
0.51	Action on trip detection	{10.37}	0 to 15			0			RW	Uni				US

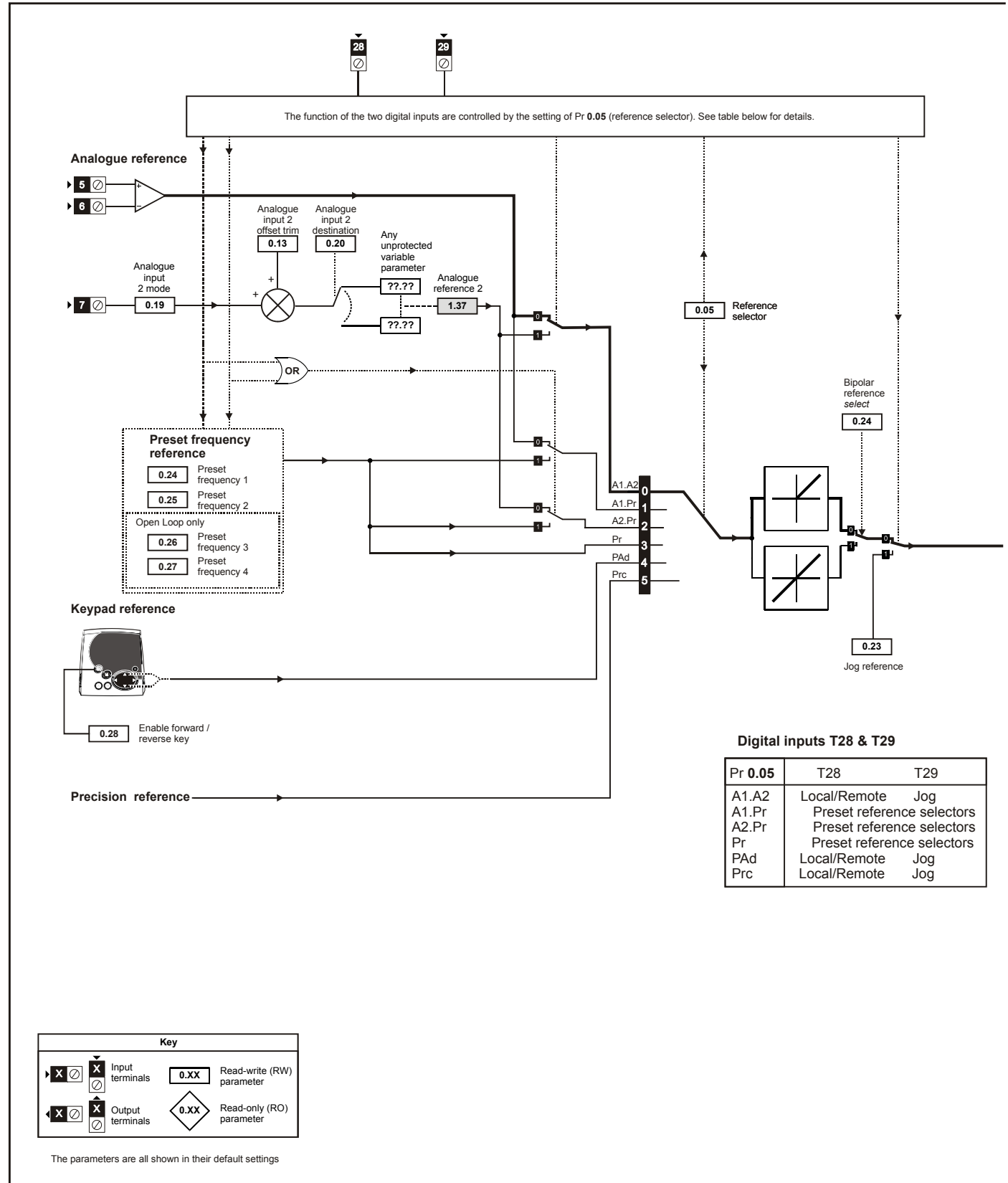
* Modes 1 and 2 are not user saved, Modes 0, 3 and 4 are user saved

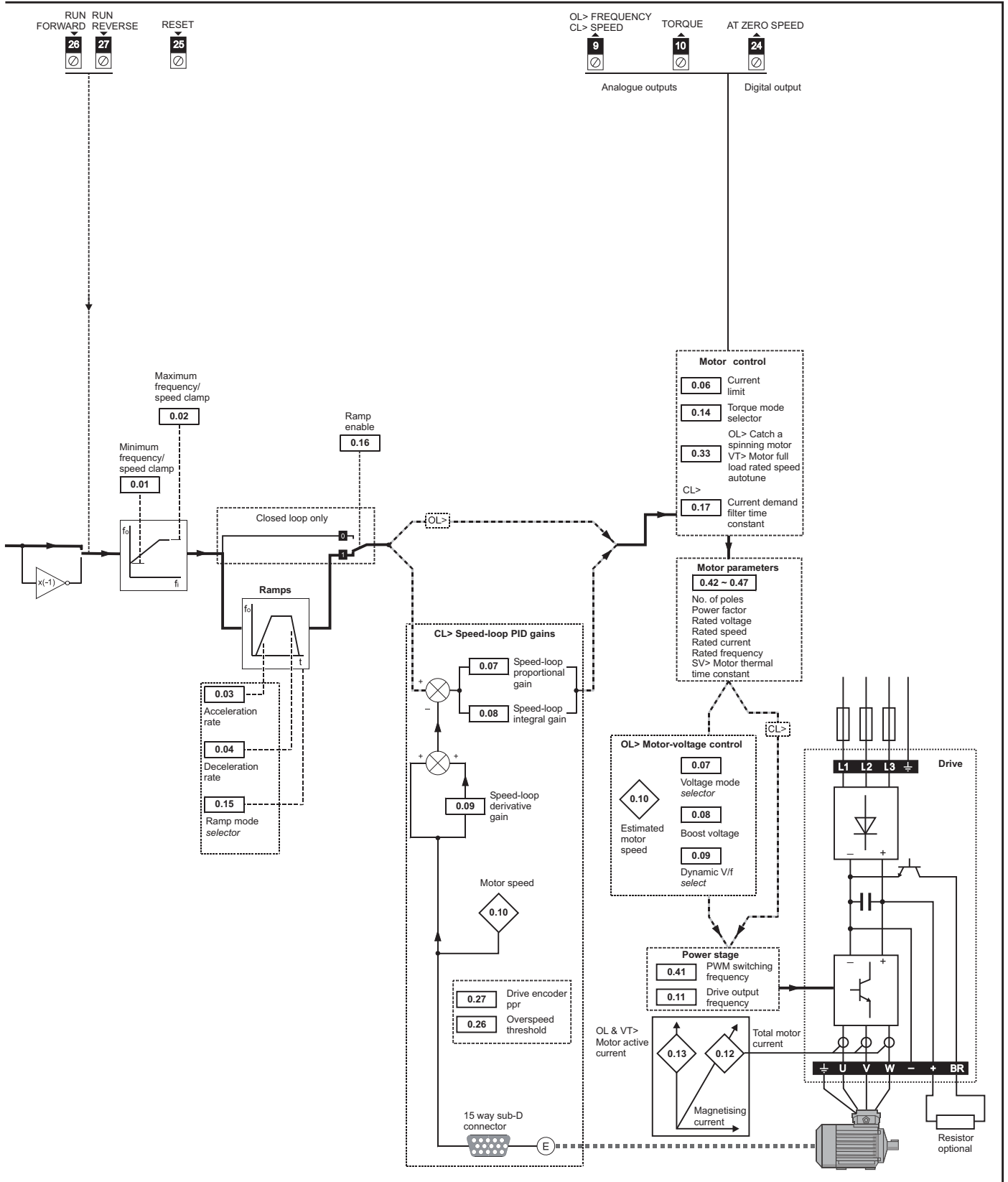
Key:

Coding	Attribute
OL	Open loop
	Closed loop vector and Servo
VT	Closed loop vector
SV	Servo
{X.XX}	Copied advanced parameter
RW	Read/write: can be written by the user
RO	Read only: can only be read by the user
Bit	1 bit parameter: 'On' or 'OFF' on the display
Bi	Bipolar parameter
Uni	Unipolar parameter
Txt	Text: the parameter uses text strings instead of numbers.
FI	Filtered: some parameters which can have rapidly changing values are filtered when displayed on the drive keypad for easy viewing.
DE	Destination: This parameter selects the destination of an input or logic function.

Coding	Attribute
RA	Rating dependent: this parameter is likely to have different values and ranges with drives of different voltage and current ratings. Parameters with this attribute will not be transferred to the destination drive by SMARTCARDS when the rating of the destination drive is different from the source drive and the file is a parameter file. However, with software V01.09.00 and later the value will be transferred if only the current rating is different and the file is a differences from default type file.
NC	Not copied: not transferred to or from SMARTCARDS during copying.
PT	Protected: cannot be used as a destination.
US	User save: parameter saved in drive EEPROM when the user initiates a parameter save.
PS	Power-down save: parameter automatically saved in drive EEPROM when the under volts (UV) trip occurs. With software version V01.08.00 and later, power-down save parameters are also saved in the drive when the user initiates a parameter save.

Figure 8-1 Menu 0 logic diagram





8.2 Full descriptions

8.2.1 Parameter x.00

0.00 {x.00}		Parameter zero	
RW	Uni		
↕		0 to 32,767	⇒ 0

Pr **x.00** is available in all menus and has the following functions.

Value	Action
1000	Save parameters when under voltage is not active (Pr 10.16 = 0) and low voltage DC supply is not active (Pr 6.44 = 0).
1001	Save parameters under all conditions
1070	Reset all option modules
1233	Load standard defaults
1244	Load US defaults
1253	Change drive mode with standard defaults
1254	Change drive mode with US defaults
1255	Change drive mode with standard defaults (excluding menus 15 to 20)
1256	Change drive mode with US defaults (excluding menus 15 to 20)
2001*	Transfer drive parameters as difference from default to a bootable SMARTCARD block in data block number 001
3yyy*	Transfer drive EEPROM data to a SMART Card block number yyy
4yyy*	Transfer drive data as difference from defaults to SMART Card block number yyy
5yyy*	Transfer drive ladder program to SMART Card block number yyy
6yyy*	Transfer SMART Card data block number yyy to the drive
7yyy*	Erase SMART Card data block number yyy
8yyy*	Compare drive parameters with SMART Card data block number yyy
9555*	Clear SMARTCARD warning suppression flag
9666*	Set SMARTCARD warning suppression card
9777*	Clear SMARTCARD read-only flag
9888*	Set SMARTCARD read-only flag
9999*	Erase SMARTCARD data block 1 to 499
110zy	Transfer electronic nameplate parameters to/from drive from/to encoder. See the <i>Advanced User Guide</i> for more information on this function.
12000**	Display non-default values only
12001**	Display destination parameters only

* See Chapter 11 *SMARTCARD operation* on page 149 for more information of these functions.

** These functions do not require a drive reset to become active. All other functions require a drive reset to initiate the function.

8.2.2 Speed limits

0.01 {1.07}		Minimum reference clamp	
RW	Bi		PT US
OL	↕	±3,000.0Hz	⇒ 0.0
CL	↕	±SPEED_LIMIT_MAX Hz/rpm	⇒ 0.0

(When the drive is jogging, **[0.01]** has no effect.)

Open-loop

Set Pr **0.01** at the required minimum output frequency of the drive for both directions of rotation. The drive speed reference is scaled between Pr **0.01** and Pr **0.02**. **[0.01]** is a nominal value; slip compensation may cause the actual frequency to be higher.

Closed-loop

Set Pr **0.01** at the required minimum motor speed for both directions of rotation. The drive speed reference is scaled between Pr **0.01** and Pr **0.02**.

0.02 {1.06}		Maximum reference clamp	
RW	Uni		US
OL	↕	0 to 3,000.0Hz	⇒ EUR> 50.0 USA> 60.0
CL	↕	SPEED_LIMIT_MAX Hz/rpm	VT ⇒ EUR> 1,500.0 USA> 1,800.0
			SV ⇒ 3,000.0

(The drive has additional over-speed protection.)

Open-loop

Set Pr **0.02** at the required maximum output frequency for both directions of rotation. The drive speed reference is scaled between Pr **0.01** and Pr **0.02**. **[0.02]** is a nominal value; slip compensation may cause the actual frequency to be higher.

Closed-loop

Set Pr **0.02** at the required maximum motor speed for both directions of rotation. The drive speed reference is scaled between Pr **0.01** and Pr **0.02**.

For operating at high speeds see section 10.6 *High speed operation* on page 147.

8.2.3 Ramps, speed reference selection, current limit

0.03 {2.11}		Acceleration rate	
RW	Uni		US
OL	↕	0.0 to 3,200.0 s/100Hz	⇒ 5.0
CL	↕	0.000 to 3,200.000 s/1,000rpm	VT ⇒ 2.000
			SV ⇒ 0.200

Set Pr **0.03** at the required rate of acceleration.

Note that larger values produce lower acceleration. The rate applies in both directions of rotation.

0.04 {2.21}		Deceleration rate	
RW	Uni		US
OL	↕	0.0 to 3,200.0 s/100Hz	⇒ 10.0
CL	↕	0.000 to 3,200.000 s/1,000rpm	VT ⇒ 2.000
			SV ⇒ 0.200

Set Pr **0.04** at the required rate of deceleration.

Note that larger values produce lower deceleration. The rate applies in both directions of rotation.

0.05 {1.14} Reference selector	
RW	Txt
↕	0 to 5 ⇒ A1.A2 (0)

Use Pr **0.05** to select the required frequency/speed reference as follows:

Setting		
A1.A2	0	Analog input 1 OR analog input 2 selectable by digital input, terminal 28
A1.Pr	1	Analog input 1 OR preset frequency/speed selectable by digital input, terminal 28 and 29
A2.Pr	2	Analog input 2 OR preset frequency/speed selectable by digital input, terminal 28 and 29
Pr	3	Pre-set frequency/speed
PAd	4	Keypad reference
Prc	5	Precision reference

Setting Pr **0.05** to 1, 2 or 3 will re-configure T28 and T29. Refer to Pr **8.39** (Pr **0.16** in OL) to disable this function.

0.06 {4.07} Current Limit		
RW	Uni	
↕	0 to Current_limit_max % ⇒	
	OL	138.1
	VT	165.7
	SV	150.0

Pr **0.06** limits the maximum output current of the drive (and hence maximum motor torque) to protect the drive and motor from overload.

Set Pr **0.06** at the required maximum torque as a percentage of the rated torque of the motor, as follows:

$$[0.06] = \frac{T_R}{T_{RATED}} \times 100 (\%)$$

Where:

T_R Required maximum torque

T_{RATED} Motor rated torque

Alternatively, set 0.06 at the required maximum active (torque-producing) current as a percentage of the rated active current of the motor, as follows:

$$[0.06] = \frac{I_R}{I_{RATED}} \times 100 (\%)$$

Where:

I_R Required maximum active current

I_{RATED} Motor rated active current

8.2.4 Voltage boost, (open-loop), Speed-loop PID gains (closed-loop)

0.07 {5.14} Voltage mode selector		
RW	Txt	
OL	↕	Ur_S (0), Ur (1), Fd (2), Ur_Auto (3), Ur_I (4), SrE (5) ⇒ Ur_I (4)

Open-loop

There are six voltage modes available, which fall into two categories, vector control and fixed boost. For further details, refer to section Pr **0.07 {5.14} Voltage mode** on page 137.

0.07 {3.10} Speed controller proportional gain				
RW	Uni			
CL	↕	0.0000 to 6.5535 1/rad s ⁻¹ ⇒	VT	0.0300
			SV	0.0100

Software V01.10.00 and later, the defaults are as above.

Software V01.09.01 and earlier, the default is 0.0100 in Closed-loop vector and servo mode.

Closed-loop

Pr **0.07 (3.10)** operates in the feed-forward path of the speed-control loop in the drive. See Figure 13-4 on page 174 for a schematic of the speed controller. For information on setting up the speed controller gains, refer to Chapter 10 *Optimization* on page 136.

0.08 {5.15} Low frequency voltage boost				
RW	Uni			
OL	↕	0.0 to 25.0% of motor rated voltage ⇒	US	1.0

Open-loop

When **0.07 Voltage mode selector** is set at **Fd** or **SrE**, set Pr **0.08 (5.15)** at the required value for the motor to run reliably at low speeds.

Excessive values of Pr **0.08** can cause the motor to be overheated.

0.08 {3.11} Speed controller integral gain				
RW	Uni			
CL	↕	0.00 to 655.35 1/rad ⇒	VT	0.10
			SV	1.00

Software V01.10.00 and later, the defaults are as above.

Software V01.09.01 and earlier, the default is 1.00 in Closed-loop vector and servo modes.

Closed-loop

Pr **0.08 (3.11)** operates in the feed-forward path of the speed-control loop in the drive. See Figure 13-4 on page 174 for a schematic of the speed controller. For information on setting up the speed controller gains, refer to Chapter 10 *Optimization* on page 136.

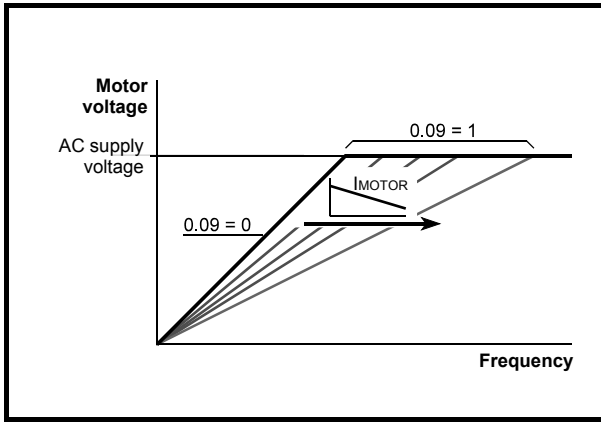
0.09 {5.13} Dynamic V/F / flux optimize select				
RW	Bit			
OL	↕	OFF (0) or On (1) ⇒	US	OFF (0)

Open-loop

Set Pr **0.09 (5.13)** at 0 when the V/f characteristic applied to the motor is to be fixed. It is then based on the rated voltage and frequency of the motor.

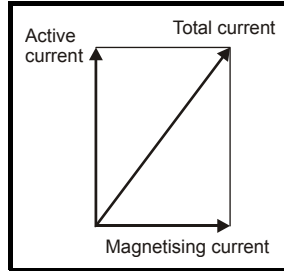
Set Pr **0.09** at 1 when reduced power dissipation is required in the motor when it is lightly loaded. The V/f characteristic is then variable resulting in the motor voltage being proportionally reduced for lower motor currents. Figure 8-2 shows the change in V/f slope when the motor current is reduced.

Figure 8-2 Fixed and variable V/f characteristics



0.12 {4.01} Total motor current	
RO	Uni
⇅	0 to Drive_current_max A

Pr 0.12 displays the rms value of the output current of the drive in each of the three phases. The phase currents consist of an active component and a reactive component, which can form a resultant current vector as shown in the following diagram.



The active current is the torque producing current and the reactive current is the magnetising or flux-producing current.

0.09 {3.12} Speed controller differential feedback gain	
RW	Uni
CL	⇅
0.00000 to 0.65535(s)	⇒
0.00000	

Closed-loop

Pr 0.09 (3.12) operates in the feedback path of the speed-control loop in the drive. See Figure 13-4 on page 174 for a schematic of the speed controller. For information on setting up the speed controller gains, refer to Chapter 10 *Optimization* on page 136.

8.2.5 Monitoring

0.10 {5.04} Estimated motor speed	
RO	Bit
OL	⇅
±180,000 rpm	⇒

Open-loop

Pr 0.10 (5.04) indicates the value of motor speed that is estimated from the following:

- 0.12 Post-ramp frequency reference
- 0.42 Motor - no. of poles

0.10 {3.02} Motor speed	
RO	Bi
VT	⇅
±Speed_max rpm	⇒

Closed-loop

Pr 0.10 (3.02) indicates the value of motor speed that is obtained from the speed feedback.

0.11 {5.01} Drive output frequency	
RO	Bi
OL	⇅
±SPEED_FREQ_MAX Hz	⇒
VT	⇅
±1250.0 Hz	⇒

Open-loop & closed loop vector

Pr 0.11 displays the frequency at the drive output.

0.11 {3.29} Drive encoder position	
RO	Uni
SV	⇅
0 to 65,535	⇒
1/2 ¹⁶ ths of a revolution	

Servo

Pr 0.11 displays the position of the encoder in mechanical values of 0 to 65,535. There are 65,536 units to one mechanical revolution.

0.13 {4.02} Motor active current	
RO	Bi
OL	⇅
VT	⇅
±Drive_current_max A	⇒

Open-loop & closed loop vector

When the motor is being driven below its rated speed, the torque is proportional to [0.13].

0.13 {7.07} Analog input 1 offset trim	
RW	Bi
SV	⇅
±10.000 %	⇒
0.000	

Servo

Pr 0.13 can be used to trim out any offset in the user signal to analog input 1.

8.2.6 Jog reference, Ramp mode selector, Stop and torque mode selectors

Pr 0.14 is used to select the required control mode of the drive as follows:

0.14 {4.11} Torque mode selector	
RW	Uni
OL	⇅
0 to 1	⇒
CL	⇅
0 to 4	⇒
Speed control (0)	

Setting	Open-Loop	Closed-Loop
0	Frequency control	Speed control
1	Torque control	Torque control
2		Torque control with speed override
3		Coiler/uncoiler mode
4		Speed control with torque feed-forward

0.15 {2.04} Ramp mode select		RW	Txt					US
OL	⇕		FAST (0) Std (1) Std.hV (2)	⇒				Std (1)
CL	⇕		FAST (0) Std (1)	⇒				

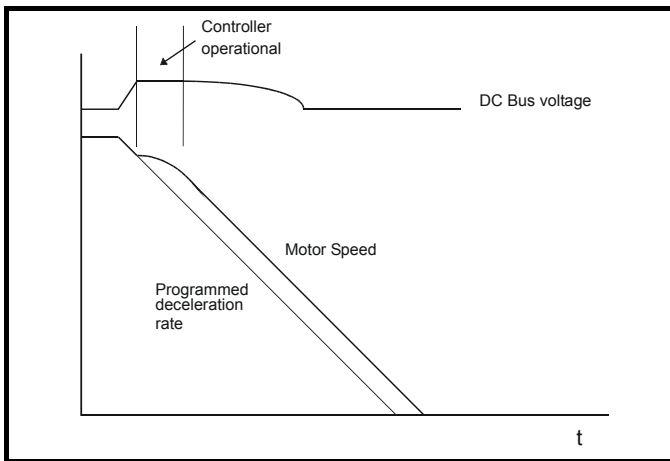
Pr 0.15 sets the ramp mode of the drive as shown below:

0: Fast ramp

Fast ramp is used where the deceleration follows the programmed deceleration rate subject to current limits. This mode must be used if a braking resistor is connected to the drive.

1: Standard ramp

Standard ramp is used. During deceleration, if the voltage rises to the standard ramp level (Pr 2.08) it causes a controller to operate, the output of which changes the demanded load current in the motor. As the controller regulates the link voltage, the motor deceleration increases as the speed approaches zero speed. When the motor deceleration rate reaches the programmed deceleration rate the controller ceases to operate and the drive continues to decelerate at the programmed rate. If the standard ramp voltage (Pr 2.08) is set lower than the nominal DC bus level the drive will not decelerate the motor, but it will coast to rest. The output of the ramp controller (when active) is a current demand that is fed to the frequency changing current controller (Open-loop modes) or the torque producing current controller (Closed-loop vector or Servo modes). The gain of these controllers can be modified with Pr 4.13 and Pr 4.14.



2: Standard ramp with motor voltage boost

This mode is the same as normal standard ramp mode except that the motor voltage is boosted by 20%. This increases the losses in the motor, dissipating some of the mechanical energy as heat giving faster deceleration.

0.16 {8.39} T28 and T29 auto-selection disable		RW	Bit					US
OL	⇕		OFF (0) or On (1)	⇒				OFF (0)

Open-loop

When Pr 0.16 is set to 0, digital inputs T28 and T29 are set up automatically with destinations according to the setting of the reference select Pr 0.05.

Reference select 0.05		Terminal 28 function	Terminal 29 function
A1.A2 (0)	Reference selection by terminal input	Local / remote selector	Jog select
A1.Pr (1)	Analogue reference 1 or presets selected by terminal input	Preset select bit 0	Preset select bit 1
A2.Pr (2)	Analogue reference 2 or presets selected by terminal input	Preset select bit 0	Preset select bit 1
Pr (3)	Preset reference selected by terminal input	Preset select bit 0	Preset select bit 1
PAd (4)	Keypad reference selected	Local / remote selector	Jog select
Prc (5)	Precision reference selected	Local / remote selector	Jog select

Setting Pr 0.16 to 1 disables this automatic set-up, allowing the user to define the function of digital inputs T28 and T29.

0.16 {2.02} Ramp enable		RW	Bit					US
CL	⇕		OFF (0) or On (1)	⇒				On (1)

Setting Pr 0.16 to 0 allows the user to disable the ramps. This is generally used when the drive is required to closely follow a speed reference which already contains acceleration and deceleration ramps.

0.17 {8.26} T29 digital input destination		RW	Uni	DE					PT	US
OL	⇕		Pr 0.00 to Pr 21.51			⇒				Pr 6.31

Open-loop

Pr 0.17 sets the destination of digital input T29. This parameter is normally set-up automatically according to the reference selected by Pr 0.05. In order to manually set-up this parameter, the T28 and T29 auto-selection disable (Pr 0.16) must be set.

0.17 {4.12} Current demand filter time constant		RW	Uni					US
CL	⇕		0.0 to 25.0 ms	⇒				0.0

Closed-loop

A first order filter, with a time constant defined by Pr 0.17, is provided on the current demand to reduce acoustic noise and vibration produced as a result of position feedback quantisation noise. The filter introduces a lag in the speed loop, and so the speed loop gains may need to be reduced to maintain stability as the filter time constant is increased.

0.18 {8.29} Positive logic select		RW	Bit					PT	US
⇕			OFF (0) or On (1)	⇒				On (1)	

Pr 0.18 sets the logic polarity for digital inputs and digital outputs. This does not affect the drive enable input or the relay output.

0.19 {7.11} Analog input 2 mode		RW	Txt					US
⇕			0 to 6	⇒				VOLT (6)

In modes 2 & 3 a current loop loss trip is generated if the current falls below 3mA.

In modes 2 & 4 the analog input level goes to 0.0% if the input current falls below 4mA.

Pr value	Pr string	Mode	Comments
0	0-20	0 - 20mA	
1	20-0	20 - 0mA	
2	4-20.tr	4 - 20mA with trip on loss	Trip if I < 3mA
3	20-4.tr	20 - 4mA with trip on loss	Trip if I < 3mA
4	4-20	4 - 20mA with no trip on loss	0.0% if I ≤ 4mA
5	20-4	20 - 4mA with no trip on loss	100% if I ≤ 4mA
6	VOLt	Voltage mode	

0.20 {7.14} Analog input 2 destination				
RW	Uni	DE	PT	US
↕	Pr 0.00 to Pr 21.51		⇒	Pr 1.37

Pr 0.20 sets the destination of analog input 2.

0.21 {7.15} Analog input 3 mode			
RW	Txt	PT	US
↕	0 to 9		⇒ th (8)

Software V01.07.00 and later, the default is th (8)

Software V01.06.02 and earlier, the default is VOLt (6)

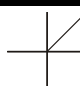
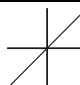
In modes 2 & 3 a current loop loss trip is generated if the current falls below 3mA.

In modes 2 & 4 the analog input level goes to 0.0% if the input current falls below 4mA.

Pr value	Pr string	Mode	Comments
0	0-20	0 - 20mA	
1	20-0	20 - 0mA	
2	4-20.tr	4 - 20mA with trip on loss	Trip if I < 3mA
3	20-4.tr	20 - 4mA with trip on loss	Trip if I < 3mA
4	4-20	4 - 20mA with no trip on loss	0.0% if I ≤ 4mA
5	20-4	20 - 4mA with no trip on loss	100% if I ≤ 4mA
6	VOLt	Voltage mode	
7	th.SC	Thermistor mode with short-circuit detection	Th trip if R > 3K3 Th reset if R < 1K8 ThS trip if R < 50R
8	th	Thermistor mode with no short-circuit detection	Th trip if R > 3K3 Th reset if R < 1K8
9	th.diSp	Thermistor mode with display only and no trip	

0.22 {1.10} Bipolar reference select			
RW	Bit	US	
↕	OFF (0) or On (1)		⇒ OFF (0)

Pr 0.22 determines whether the reference is uni-polar or bi-polar as follows:

Pr 0.22	Function
0	Unipolar speed/frequency reference 
1	Bipolar speed/frequency reference 

0.23 {1.05} Jog reference			
RW	Uni	US	
OL	↕	0 to 400.0 Hz	⇒ 0.0
CL	↕	0 to 4,000.0 rpm	⇒ 0.0

Enter the required value of jog frequency/speed.

The frequency/speed limits affect the drive when jogging as follows:

Frequency-limit parameter	Limit applies
Pr 0.01 Minimum reference clamp	No
Pr 0.02 Maximum reference clamp	Yes

0.24 {1.21} Preset reference 1			
RW	Bi	US	
↕	±Speed_limit_max rpm		⇒ 0.0

0.25 {1.22} Preset reference 2			
RW	Bi	US	
↕	±Speed_limit_max rpm		⇒ 0.0

0.26 {1.23} Preset reference 3			
RW	Bi	US	
OL	↕	±Speed_freq_max Hz/rpm	⇒ 0.0

Open-loop

If the preset reference has been selected (see Pr 0.05), the speed at which the motor runs is determined by these parameters.

0.26 {3.08} Overspeed threshold			
RW	Uni	US	
CL	↕	0 to 40,000 rpm	⇒ 0

Closed-loop

If the speed feedback (Pr 3.02) exceeds this level in either direction, an overspeed trip is produced. If this parameter is set to zero, the overspeed threshold is automatically set to 120% x SPEED_FREQ_MAX.

0.27 {1.24} Preset reference 4			
RW	Bi	US	
OL	↕	±Speed_freq_max Hz/rpm	⇒ 0.0

Open-loop

Refer to Pr 0.24 to Pr 0.26.

0.27 {3.34} Drive encoder lines per revolution			
RW	Uni	US	
VT	↕	0 to 50,000	⇒ 1024
SV	↕		⇒ 4096

Closed-loop

Enter in Pr 0.27 the number of lines per revolution of the drive encoder.

0.28 {6.13} Keypad fwd/rev key enable									
RW	Bit								US
⇕	OFF (0) or On (1)				⇒	OFF (0)			

When a keypad is installed, this parameter enables the forward/reverse key.

0.29 {11.36} SMARTCARD parameter data									
RO	Uni					NC	PT	US	
⇕	0 to 999				⇒	0			

This parameter shows the number of the data block last transferred from a SMARTCARD to the drive.

0.30 {11.42} Parameter copying									
RW	Txt					NC		*	
⇕	0 to 4				⇒	nonE (0)			

* Modes 1 and 2 are not user saved, Modes 0, 3 and 4 are user saved.

NOTE

If Pr 0.30 is equal to 1 or 2 this value is not transferred to the EEPROM or the drive. If Pr 0.30 is set to a 3 or 4 the value is transferred.

Pr String	Pr value	Comment
nonE	0	Inactive
rEAd	1	Read parameter set from the SMARTCARD
Prog	2	Programming a parameter set to the SMARTCARD
Auto	3	Auto save
boot	4	Boot mode

For further information, please refer to Chapter 11 SMARTCARD operation on page 149.

0.31 {11.33} Drive rated voltage									
RO	Txt					NC	PT		
⇕	200V (0), 400V (1), 575V (2), 690V (3)				⇒				

Pr 0.31 indicates the voltage rating of the drive.

0.32 {11.32} Maximum Heavy Duty current rating									
RO	Uni					NC	PT		
⇕	0.00 to 9,999.99 A				⇒				

Pr 0.32 indicates the maximum continuous Heavy Duty current rating.

0.33 {6.09} Catch a spinning motor										
RW	Uni							US		
OL	⇕	0 to 3				⇒	0			

Open-loop

When the drive is enabled with Pr 0.33 = 0, the output frequency starts at zero and ramps to the required reference. When the drive is enabled when Pr 0.33 has a non-zero value, the drive performs a start-up test to determine the motor speed and then sets the initial output frequency to the synchronous frequency of the motor. Restrictions may be placed on the frequencies detected by the drive as follows:

Pr 0.33	Function
0	Disabled
1	Detect all frequencies
2	Detect positive frequencies only
3	Detect negative frequencies only

0.33 {5.16} Rated rpm autotune										
RW	Uni							US		
VT	⇕	0 to 2				⇒	0			

Closed-loop vector

The motor rated full load rpm parameter (Pr 0.45) in conjunction with the motor rated frequency parameter (Pr 0.46) defines the full load slip of the motor. The slip is used in the motor model for closed-loop vector control. The full load slip of the motor varies with rotor resistance which can vary significantly with motor temperature. When Pr 0.33 is set to 1 or 2, the drive can automatically sense if the value of slip defined by Pr 0.45 and Pr 0.46 has been set incorrectly or has varied with motor temperature. If the value is incorrect parameter Pr 0.45 is automatically adjusted. The adjusted value in Pr 0.45 is not saved at power-down. If the new value is required at the next power-up it must be saved by the user.

Automatic optimisation is only enabled when the speed is above 12.5% of rated speed, and when the load on the motor load rises above 62.5% rated load. Optimisation is disabled again if the load falls below 50% of rated load.

For best optimisation results the correct values of stator resistance (Pr 5.17), transient inductance (Pr 5.24), stator inductance (Pr 5.25) and saturation breakpoints (Pr 5.29, Pr 5.30) should be stored in the relevant parameters. These values can be obtained by the drive during an autotune (see Pr 0.40 for further details).

Rated rpm auto-tune is not available if the drive is not using external position/speed feedback.

The gain of the optimiser, and hence the speed with which it converges, can be set at a normal low level when Pr 0.33 is set to 1. If this parameter is set to 2 the gain is increased by a factor of 16 to give faster convergence.

0.34 {11.30} User security code									
RW	Uni					NC	PT		PS
⇕	0 to 999				⇒	0			

If any number other than 0 is programmed into this parameter, user security is applied so that no parameters except parameter 0.49 can be adjusted with the keypad. When this parameter is read via a keypad it appears as zero.

For further details refer to section 7.9.3 User Security on page 106.

0.35 {11.24} Serial comms mode									
RW	Txt							US	
⇕	AnSI (0), rtu (1), Lcd (2)				⇒	rtU (1)			

This parameter defines the communications protocol used by the EIA485 comms port on the drive. This parameter can be changed via the drive keypad, via a Solutions Module or via the comms interface itself. If it is changed via the comms interface, the response to the command uses the original protocol. The master should wait at least 20ms before send a new message using the new protocol. (Note: ANSI uses 7 data bits, 1 stop bit and even parity; Modbus RTU uses 8 data bits, 2 stops bits and no parity.)

Comms value	String	Communications mode
0	AnSI	ANSI
1	rTU	Modbus RTU protocol
2	Lcd	Modbus RTU protocol, but with an SM-Keypad only

ANSI3.28 protocol

Full details of the CT ANSI communications protocol are the *Advanced User Guide*.

Modbus RTU protocol

Full details of the CT implementation of Modbus RTU are given in the *Advanced User Guide*.

Modbus RTU protocol, but with an SM-Keypad only

This setting is used for disabling communications access when the SM-Keypad is used as a hardware key.

0.36 {11.25} Serial comms baud rate	
RW	Uni
↕	300 (0), 600 (1), 1200 (2), 2400 (3), 4800 (4), 9600 (5), 19200 (6), 38400 (7), 57600 (8)*, 115200 (9)*
	19200 (6)

* only applicable to Modbus RTU mode

This parameter can be changed via the drive keypad, via a Solutions Module or via the comms interface itself. If it is changed via the comms interface, the response to the command uses the original baud rate. The master should wait at least 20ms before send a new message using the new baud rate.

0.37 {11.23} Serial comms address	
RW	Uni
↕	0 to 247
	1

Used to define the unique address for the drive for the serial interface. The drive is always a slave.

Modbus RTU

When the Modbus RTU protocol is used addresses between 0 and 247 are permitted. Address 0 is used to globally address all slaves, and so this address should not be set in this parameter

ANSI

When the ANSI protocol is used the first digit is the group and the second digit is the address within a group. The maximum permitted group number is 9 and the maximum permitted address within a group is 9. Therefore, Pr 0.37 is limited to 99 in this mode. The value 00 is used to globally address all slaves on the system, and x0 is used to address all slaves of group x, therefore these addresses should not be set in this parameter.

0.38 {4.13} Current loop P gain	
RW	Uni
↕	0 to 30,000
	All voltage ratings: 20 200V drive: 75 400V drive: 150 575V drive: 180 690V drive: 215

0.39 {4.14} Current loop I gain	
RW	Uni
↕	0 to 30,000
	All voltage ratings: 40 200V drive: 1,000 400V drive: 2,000 575V drive: 2,400 690V drive: 3,000

These parameters control the proportional and integral gains of the current controller used in the open loop drive. The current controller either provides current limits or closed loop torque control by modifying the drive output frequency. The control loop is also used in its torque mode during line power supply loss, or when the controlled mode standard ramp is active and the drive is decelerating, to regulate the flow of current into the drive.

0.40 {5.12} Autotune	
RW	Uni
↕	0 to 2
	0
↕	0 to 4
	0
↕	0 to 6
	0

Open-Loop

There are two autotune tests available in open loop mode, a stationary and a rotating test. A rotating autotune should be used whenever possible, so the measured value of power factor of the motor is used by the drive.

- The stationary autotune can be used when the motor is loaded and it is not possible to remove the load from the motor shaft.
- A rotating autotune first performs a stationary autotune, before rotating the motor at $\frac{2}{3}$ base speed in the forward direction for several seconds. The motor must be free from load for the rotating autotune.

To perform an autotune, set Pr 0.40 to 1 for a stationary test or 2 for a rotating test, and provide the drive with both an enable signal (on terminal 31) and a run signal (on terminal 26 or 27).

Following the completion of an autotune test the drive will go into the inhibit state. The drive must be placed into a controlled disable condition before the drive can be made to run at the required reference. The drive can be put in to a controlled disable condition by removing the SAFE TORQUE OFF (SECURE DISABLE) signal from terminal 31, setting the drive enable parameter Pr 6.15 to OFF (0) or disabling the drive via the control word (Pr 6.42 & Pr 6.43).

For further information refer to section *Pr 0.40 {5.12} Autotune* on page 136.

Closed-loop

There are three autotune tests available in closed loop vector mode, a stationary test, a rotating test and an inertia measurement test. A stationary autotune will give moderate performance whereas a rotating autotune will give improved performance as it measures the actual values of the motor parameters required by the drive. An inertia measurement test should be performed separately to a stationary or rotating autotune.

- The stationary autotune can be used when the motor is loaded and it is not possible to remove the load from the motor shaft.
- A rotating autotune first performs a stationary autotune, before rotating the motor at $\frac{2}{3}$ base speed in the forward direction for approximately 30 seconds. The motor must be free from load for the rotating autotune.
- The inertia measurement test can measure the total inertia of the load and the motor. This is used to set the speed loop gains (see

Speed loop gains, below) and to provide torque feed forwards when required during acceleration. During the inertia measurement test the motor speed changes from $\frac{1}{3}$ to $\frac{2}{3}$ rated speed in the forward direction several times. The motor can be loaded with a constant torque load and still give an accurate result, however, non-linear loads and loads that change with speed will cause measurement errors.

To perform an autotune, set Pr **0.40** to 1 for a stationary test, 2 for a rotating test, or 3 for an inertia measurement test and provide the drive with both an enable signal (on terminal 31) and a run signal (on terminal 26 or 27).

Following the completion of an autotune test the drive will go into the inhibit state. The drive must be placed into a controlled disable condition before the drive can be made to run at the required reference. The drive can be put in to a controlled disable condition by removing the SAFE TORQUE OFF (SECURE DISABLE) signal from terminal 31, setting the drive enable parameter Pr **6.15** to OFF (0) or disabling the drive via the control word (Pr **6.42** & Pr **6.43**).

Setting Pr **0.40** to 4 will cause the drive to calculate the current loop gains based on the previously measured values of motor resistance and inductance. The drive does apply any voltage to the motor during this test. The drive will change Pr **0.40** back to 0 as soon as the calculations are complete (approximately 500ms).

For further information refer to section *Pr 0.40 {5.12} Autotune* on page 139.

Servo

There are five autotune tests available in servo mode, a short low speed test, a normal low speed test, an inertia measurement test, a stationary test and a minimal movement test. A normal low speed should be done where possible as the drive measures the stator resistance and inductance of the motor, and from these calculates the current loop gains. An inertia measurement test should be performed separately to a short low speed or normal low speed autotune.

- A short low speed test will rotate the motor by 2 electrical revolutions (i.e. up to 2 mechanical revolutions) in the forward direction, and measure the encoder phase angle. The motor must be free from load for this test.
- A normal low speed test will rotate the motor by 2 electrical revolutions (i.e. up to 2 mechanical revolutions) in the forward direction. This test measures the encoder phase angle and updates other parameters including the current loop gains. The motor must be free from load for this test.
- The inertia measurement test can measure the total inertia of the load and the motor. This is used to set the speed loop gains and to provide torque feed forwards when required during acceleration. During the inertia measurement test the motor speed changes from $\frac{1}{3}$ to $\frac{2}{3}$ rated speed in the forward direction several times. The motor can be loaded with a constant torque load and still give an accurate result, however, non-linear loads and loads that change with speed will cause measurement errors.
- The stationary test only measures the motor resistance and inductance, and updates the current loop gain parameters. This test does not measure the encoder phase angle so this test needs to be done in conjunction with either the short low speed or minimal movement tests.
- The minimal movement test will move the motor through a small angle to measure the encoder phase angle. This test will operate correctly when the load is an inertia, and although a small amount of cogging and stiction is acceptable, this test cannot be used for a loaded motor.

To perform an autotune, set Pr **0.40** to 1 for a short low speed test, 2 for a normal low speed test, 3 for an inertia measurement test, 4 for a stationary test or 5 for a minimal movement test, and provide the drive with both an enable signal (on terminal 31) and a run signal (on terminal 26 or 27).

Following the completion of an autotune test the drive will go into the inhibit state. The drive must be placed into a controlled disable condition before the drive can be made to run at the required reference. The drive can be put in to a controlled disable condition by removing the SAFE TORQUE OFF (SECURE DISABLE) signal from terminal 31, setting the drive enable parameter Pr **6.15** to OFF (0) or disabling the drive via the control word (Pr **6.42** & Pr **6.43**).

Setting Pr **0.40** to 6 will cause the drive to calculate the current loop gains based on the previously measured values of motor resistance and inductance. The drive does apply any voltage to the motor during this test. The drive will change Pr **0.40** back to 0 as soon as the calculations are complete (approximately 500ms).

For further information refer to section *Pr 0.40 {5.12} Autotune* on page 144.

0.41 {5.18} Maximum switching frequency		RW	Txt	RA	US
OL				⇒	3 (0)
CL	⇕		3 (0), 4 (1), 6 (2)	⇒	VT 3 (0)
				⇒	SV 6 (2)

This parameter defines the required switching frequency. The drive may automatically reduce the actual switching frequency (without changing this parameter) if the power stage becomes too hot. A thermal model of the IGBT junction temperature is used based on the heatsink temperature and an instantaneous temperature drop using the drive output current and switching frequency. The estimated IGBT junction temperature is displayed in Pr **7.34**. If the temperature exceeds 145°C the switching frequency is reduced if this is possible (i.e. >3kHz). Reducing the switching frequency reduces the drive losses and the junction temperature displayed in Pr **7.34** also reduces. If the load condition persists the junction temperature may continue to rise again above 145°C and the drive cannot reduce the switching frequency further the drive will initiate an 'O.ht1' trip. Every second the drive will attempt to restore the switching frequency to the level set in Pr **0.41**.

The full range of switching frequencies is not available on all ratings of Unidrive SP. See section 10.5 *Switching frequency* on page 147, for the maximum available switching frequency for each drive rating.

8.2.7 Motor parameters

0.42 {5.11} No. of motor poles		RW	Txt	US
OL	⇕			⇒ Auto (0)
CL	⇕		0 to 60 (Auto to 120 Pole)	⇒ VT Auto (0)
				⇒ SV 6 POLE (3)

Open-loop

This parameter is used in the calculation of motor speed, and in applying the correct slip compensation. When auto is selected, the number of motor poles is automatically calculated from the rated frequency (Pr **0.47**) and the rated full load rpm (Pr **0.45**). The number of poles = 120 * rated frequency / rpm rounded to the nearest even number.

Closed-loop vector

This parameter must be set correctly for the vector control algorithms to operate correctly. When auto is selected, the number of motor poles is automatically calculated from the rated frequency (Pr **0.47**) and the rated full load rpm (Pr **0.45**). The number of poles = 120 * rated frequency / rpm rounded to the nearest even number.

Servo

This parameter must be set correctly for the vector control algorithms to operate correctly. When auto is selected the number of poles is set to 6.

0.43 {5.10} Motor rated power factor	
RW	Uni
OL	↕
VT	↕
0.000 to 1.000	
⇒ 0.850	

The power factor is the true power factor of the motor, i.e. the angle between the motor voltage and current.

Open-loop

The power factor is used in conjunction with the motor rated current (Pr 0.46) to calculate the rated active current and magnetising current of the motor. The rated active current is used extensively to control the drive, and the magnetising current is used in vector mode Rs compensation. It is important that this parameter is set up correctly.

This parameter is obtained by the drive during a rotational autotune. If a stationary autotune is carried out, then the nameplate value should be entered in Pr 0.43.

Closed-loop vector

If the stator inductance (Pr 5.25) contains a non-zero value, the power factor used by the drive is continuously calculated and used in the vector control algorithms (this will not update Pr 0.43).

If the stator inductance is set to zero (Pr 5.25) then the power factor written in Pr 0.43 is used in conjunction with the motor rated current and other motor parameters to calculate the rated active and magnetising currents which are used in the vector control algorithm.

This parameter is obtained by the drive during a rotational autotune. If a stationary autotune is carried out, then the nameplate value should be entered in Pr 0.43.

0.43 {3.25} Encoder phase angle	
RW	Uni
SV	↕
0.0 to 359.9°	
⇒ 0.0	

The phase angle between the rotor flux in a servo motor and the encoder position is required for the motor to operate correctly. If the phase angle is known it can be set in this parameter by the user. Alternatively the drive can automatically measure the phase angle by performing a phasing test (see autotune in servo mode Pr 0.40). When the test is complete the new value is written to this parameter. The encoder phase angle can be modified at any time and becomes effective immediately. This parameter has a factory default value of 0.0, but is not affected when defaults are loaded by the user.

0.44 {5.09} Motor rated voltage	
RW	Uni
↕	↕
0 to AC_VOLTAGE_SET_MAX V	
⇒	
200V drive: 230 400V drive: EUR> 400 USA> 460 575V drive: 575 690V drive: 690	

Open-loop & Closed-loop vector

Enter the value from the rating plate of the motor.

0.45 {5.08} Motor rated full load speed (rpm)	
RW	Uni
OL	↕
VT	↕
0 to 180,000 rpm	
⇒ EUR> 1,500 USA> 1,800	
0.00 to 40,000.00 rpm	
⇒ EUR> 1,450.00 USA> 1,770.00	

Open-loop

This is the speed at which the motor would rotate when supplied with its base frequency at rated voltage, under rated load conditions (=

synchronous speed - slip speed). Entering the correct value into this parameter allows the drive to increase the output frequency as a function of load in order to compensate for this speed drop.

Slip compensation is disabled if Pr 0.45 is set to 0 or to synchronous speed, or if Pr 5.27 is set to 0.

If slip compensation is required this parameter should be set to the value from the rating plate of the motor, which should give the correct rpm for a hot machine. Sometimes it will be necessary to adjust this when the drive is commissioned because the nameplate value may be inaccurate. Slip compensation will operate correctly both below base speed and within the field weakening region. Slip compensation is normally used to correct for the motor speed to prevent speed variation with load. The rated load rpm can be set higher than synchronous speed to deliberately introduce speed droop. This can be useful to aid load sharing with mechanically coupled motors.

Closed loop vector

Rated load rpm is used with motor rated frequency to determine the full load slip of the motor which is used by the vector control algorithm. Incorrect setting of this parameter can result in the following:

- Reduced efficiency of motor operation
- Reduction of maximum torque available from the motor
- Failure to reach maximum speed
- Over-current trips
- Reduced transient performance
- Inaccurate control of absolute torque in torque control modes

The nameplate value is normally the value for a hot machine, however, some adjustment may be required when the drive is commissioned if the nameplate value is inaccurate.

The rated full load rpm can be optimised by the drive (For further information, refer to section 10.1.3 *Closed loop vector motor control* on page 141).

0.45 {4.15} Motor thermal time constant	
RW	Uni
SV	↕
0 to 3000.0	
⇒ 20.0	

Servo

Pr 0.45 is the motor thermal time constant of the motor, and is used (along with the motor rated current Pr 0.46, and total motor current Pr 0.12) in the thermal model of the motor in applying thermal protection to the motor.

Setting this parameter to 0 disables the motor thermal protection.

For further details, refer to section 10.4 *Motor thermal protection* on page 146.

0.46 {5.07} Motor rated current	
RW	Uni
↕	↕
0 to Rated_current_max A	
⇒ Drive rated current [11.32]	

Enter the name-plate value for the motor rated current.

0.47 {5.06} Rated frequency	
RW	Uni
OL	↕
VT	↕
0 to 3,000.0Hz	
⇒ EUR> 50.0, USA> 60.0	
0 to 1,250.0Hz	
⇒ EUR> 50.0, USA> 60.0	

Open-loop & Closed-loop vector

Enter the value from the rating plate of the motor.

8.2.8 Operating-mode selection

0.48 {11.31} Operating mode selector									
RW	Txt	NC						PT	
⇕	1 to 4				⇒	OL	1		
						VT	2		
						SV	3		

The settings for Pr **0.48** are as follows:

Setting		Operating mode
OPEn LP	1	Open-loop
CL VECt	2	Closed-loop vector
SerVO	3	Servo
rEgEn	4	Regen

This parameter defines the drive operating mode. Pr **xx.00** must be set to 1253 (European defaults) or 1254 (USA defaults) before this parameter can be changed. When the drive is reset to implement any change in this parameter, the default settings of all parameters will be set according to the drive operating mode selected and saved in memory.

8.2.9 Status information

0.49 {11.44} Security status									
RW	Txt							PT	US
⇕	0 to 2				⇒	0			

This parameter controls access via the drive keypad as follows:

Value	String	Action
0	L1	Only menu 0 can be accessed
1	L2	All menus can be accessed
2	Loc	Lock user security when drive is reset. (This parameter is set to L1 after reset.)

The keypad can adjust this parameter even when user security is set.

0.50 {11.29} Software version number									
RO	Uni					NC	PT		
⇕	1.00 to 99.99				⇒				

The parameter displays the software version of the drive.

0.51 {10.37} Action on trip detection									
RW	Uni							US	
⇕	0 to 15				⇒	0			

Each bit in this parameter has the following functions:

Bit	Function
0	Stop on non-important trips
1	Disable braking IGBT trips
2	Disable phase loss trip (Unidrive SP size 0 only)
3	Disable braking resistor temperature monitoring failure detection. (Unidrive SP size 0 only)

Stop on non-important trips

If bit 0 is set to zero then the drive simply trips when a non-important trip occurs. Non-important trips are: th, ths, Old1, cL2, cL3, SCL. If bit 0 is set to one the drive will stop before tripping when one of these trips is initiated, except in Regen mode where the drive trips immediately.


Disable braking IGBT trips

For details of braking IGBT trip mode see Pr **10.31**.

9 Running the motor


This chapter takes the new user through all the essential steps to running a motor for the first time, in each of the possible operating modes.

For information on tuning the drive for the best performance, see *Chapter 10 Optimization*.




Ensure that no damage or safety hazard could arise from the motor starting unexpectedly.


WARNING




The values of the motor parameters affect the protection of the motor. The default values in the drive should not be relied upon. It is essential that the correct value is entered in Pr **0.46 Motor rated current**. This affects the thermal protection of the motor.

CAUTION



If the keypad mode has been used previously, ensure that the keypad reference has been set to 0 using the  buttons as if the drive is started using the keypad it will run to the speed defined by the keypad reference (Pr **0.35**).

CAUTION



If the intended maximum speed affects the safety of the machinery, additional independent over-speed protection must be used.

WARNING

9.1 Quick start Connections

9.1.1 Basic requirements

This section shows the basic connections which must be made for the drive to run in the required mode. For minimal parameter settings to run in each mode please see the relevant part of section 9.4 *Quick Start commissioning/start-up* on page 128.

Table 9-1 Minimum control connection requirements for each control mode

Drive control method	Requirements
Terminal mode	Drive Enable Speed reference Run forward or run reverse command
Keypad mode	Drive Enable
Serial communications	Drive Enable Serial communications link

Table 9-2 Minimum control connection requirements for each mode of operation

Operating mode	Requirements
Open loop mode	Induction motor
Closed loop vector mode	Induction motor with speed feedback
Closed loop servo mode	Permanent magnet motor with speed and position feedback

Speed feedback

Suitable devices are:

- Incremental encoder (A, B or F, D with or without Z)
- Incremental encoder with forward and reverse outputs (F, R with or without Z)
- SINCOS encoder (with, or without Stegmann Hiperface, EnDat or SSI communications protocols)
- EnDat absolute encoder

Speed and position feedback

Suitable devices are:

- Incremental encoder (A, B or F, D with or without Z) with commutation signals (U, V, W)
- Incremental encoder with forward and reverse outputs (F, R with or without Z) and commutation outputs (U, V, W)
- SINCOS encoder (with Stegmann Hiperface, EnDat or SSI communications protocols)
- EnDat absolute encoder

For Solutions Module terminal information see section 13.15 *Menus 15, 16 and 17: Solutions Module set-up* on page 215 or the appropriate Solutions Module option user guide.





9.2 Changing the operating mode

Changing the operating mode returns all parameters to their default value, including the motor parameters. (Pr **0.49** and Pr **0.34** are not affected by this procedure.)

Procedure


Use the following procedure only if a different operating mode is required:

1. Enter either of the following values in Pr **xx.00**, as appropriate:
1253 (EUR, 50Hz AC supply frequency)
1254 (USA, 60Hz AC supply frequency)
2. Change the setting of Pr **0.48** as follows:

Pr 0.48 setting	Operating mode
	1 Open-loop
	2 Closed-loop vector
	3 Closed-loop Servo
	4 Regen (See the <i>Unidrive SP Regen Installation Guide</i> for more information about operating in this mode)


The figures in the second column apply when serial communications are used.

3. Either:

- Press the red  reset button
- Toggle the reset digital input
- Carry out a drive reset through serial communications by setting Pr **10.38** to 100 (ensure that Pr. **xx.00** returns to 0).

9.3 Changing keypad mode

Pressing the following keypad buttons selects the keypad mode

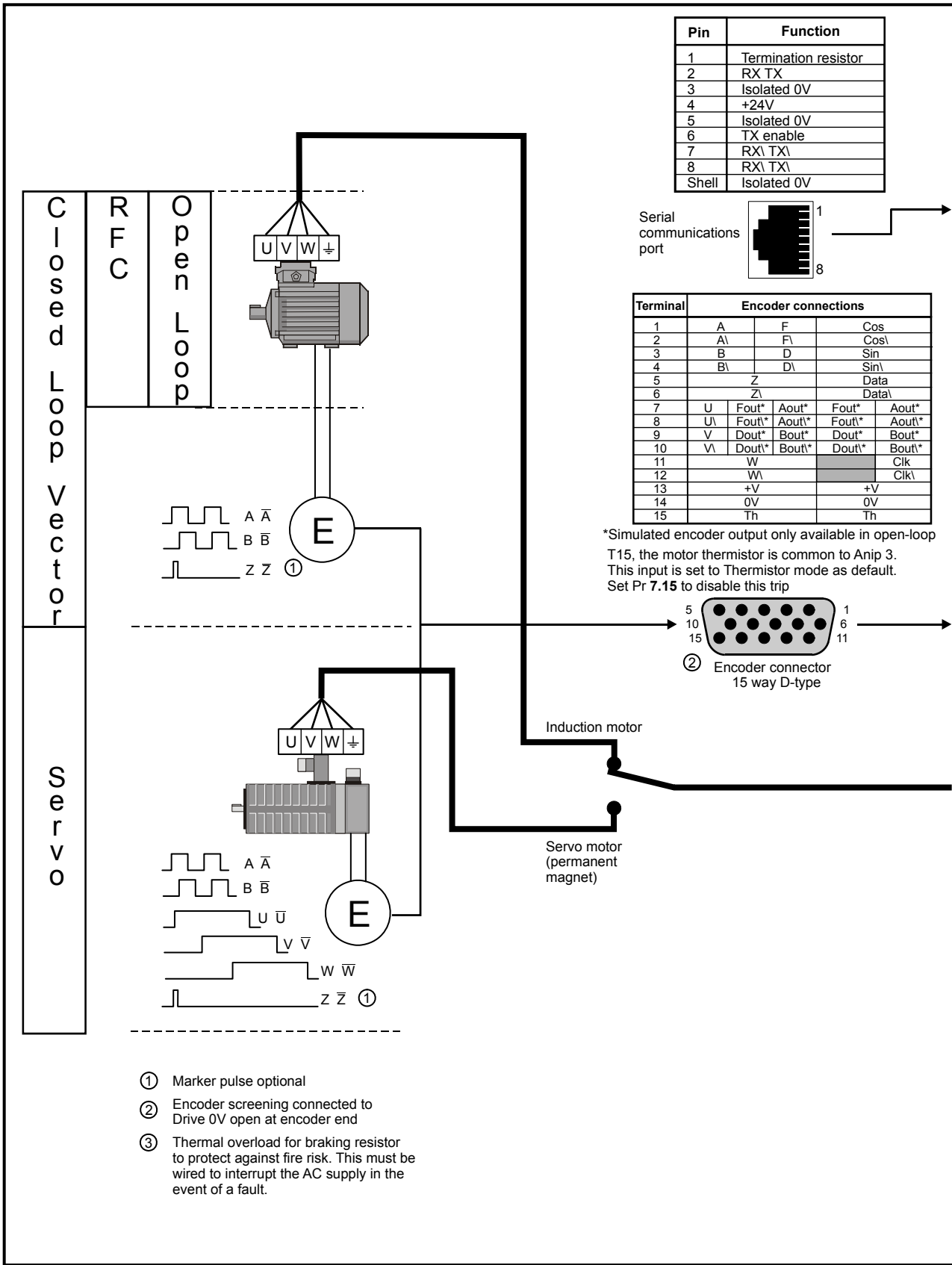
- Blue - Auto
- Red  - Off
- Green - Hand

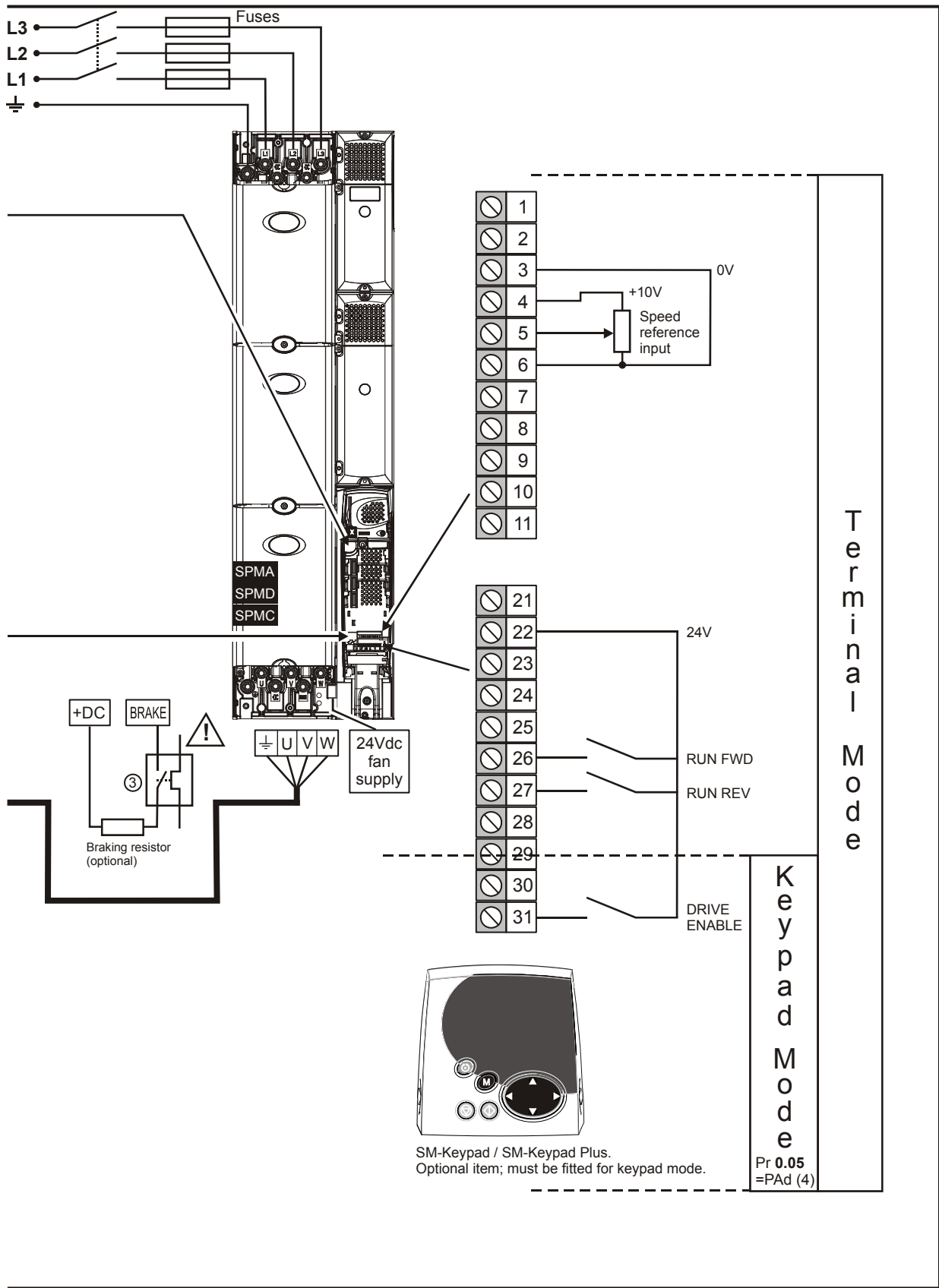
In Hand mode, the motor speed is adjusted by pressing the keypad up/down arrow buttons.

In Auto mode, the motor speed control reference is determined by the value set in the speed/frequency reference selector Pr **0.05**. If hand mode is selected then the motor speed will not change during the transition.

In Off mode, the motor will be stopped but pressing the keypad up/down arrow buttons will allow the keypad control reference Pr **1.17** to be adjusted. Selecting Hand mode will then ramp the motor up to the selected speed.

Figure 9-1 Minimum connections to get the motor running in any operating mode





9.4 Quick Start commissioning/start-up




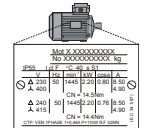
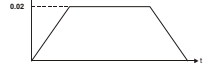
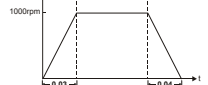

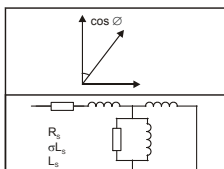
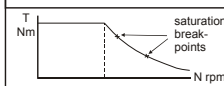

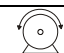
9.4.1 Open loop

Action	Detail																																									
Before power-up	Ensure: <ul style="list-style-type: none"> The drive enable signal is not given (terminal 31) Run signal is not given Motor is connected 																																									
Power-up the drive	Ensure: <ul style="list-style-type: none"> Drive displays 'inh' If the drive trips, see Chapter 15 <i>Diagnostics</i> on page 275.																																									
Enter motor nameplate details	Enter: <ul style="list-style-type: none"> Motor rated frequency in Pr 0.47 (Hz) Motor rated current in Pr 0.46 (A) Motor rated speed in Pr 0.45 (rpm) Motor rated voltage in Pr 0.44 (V) - check if Δ or λ connection 	<table border="1"> <tr> <td colspan="2">Mot X XXXXXXXXXX</td> <td colspan="2">No XXXXXXXXXX kg</td> </tr> <tr> <td>IP55</td> <td>I_c F</td> <td>-C</td> <td>40 s S1</td> </tr> <tr> <td>V</td> <td>Hz</td> <td>min</td> <td>kW cosφ A</td> </tr> <tr> <td>Δ 230</td> <td>50</td> <td>1445</td> <td>2.20 0.80 8.50</td> </tr> <tr> <td>λ 400</td> <td></td> <td></td> <td>4.90</td> </tr> <tr> <td colspan="4">CN = 14.5Nm</td> </tr> <tr> <td>Δ 240</td> <td>50</td> <td>1445</td> <td>2.20 0.76 8.50</td> </tr> <tr> <td>λ 415</td> <td></td> <td></td> <td>4.90</td> </tr> <tr> <td colspan="4">CN = 14.4Nm</td> </tr> <tr> <td colspan="4">CTP- VEN 1PHASE 1+0.46A P=110W R.F. 32MIN</td> </tr> </table>	Mot X XXXXXXXXXX		No XXXXXXXXXX kg		IP55	I _c F	-C	40 s S1	V	Hz	min	kW cosφ A	Δ 230	50	1445	2.20 0.80 8.50	λ 400			4.90	CN = 14.5Nm				Δ 240	50	1445	2.20 0.76 8.50	λ 415			4.90	CN = 14.4Nm				CTP- VEN 1PHASE 1+0.46A P=110W R.F. 32MIN			
Mot X XXXXXXXXXX		No XXXXXXXXXX kg																																								
IP55	I _c F	-C	40 s S1																																							
V	Hz	min	kW cosφ A																																							
Δ 230	50	1445	2.20 0.80 8.50																																							
λ 400			4.90																																							
CN = 14.5Nm																																										
Δ 240	50	1445	2.20 0.76 8.50																																							
λ 415			4.90																																							
CN = 14.4Nm																																										
CTP- VEN 1PHASE 1+0.46A P=110W R.F. 32MIN																																										
Set maximum frequency	Enter: <ul style="list-style-type: none"> Maximum frequency in Pr 0.02 (Hz) 																																									
Set acceleration / deceleration rates	Enter: <ul style="list-style-type: none"> Acceleration rate in Pr 0.03 (s/100Hz) Deceleration rate in Pr 0.04 (s/100Hz) (If braking resistor installed, set Pr 0.15 = FAST. Also ensure Pr 10.30 and Pr 10.31 are set correctly, otherwise premature 'lt.br' trips may be seen.) 																																									
Autotune	<p>The drive is able to perform either a stationary or a rotating autotune. The motor must be at a standstill before an autotune is enabled. A rotating autotune should be used whenever possible so the measured value of power factor of the motor is used by the drive.</p> <div style="border: 1px solid black; padding: 5px;"> <p>WARNING A rotating autotune will cause the motor to accelerate up to $\frac{2}{3}$ base speed in the direction selected regardless of the reference provided. Once complete the motor will coast to a stop. The enable signal must be removed before the drive can be made to run at the required reference. The drive can be stopped at any time by removing the run signal or removing the drive enable.</p> </div> <ul style="list-style-type: none"> A stationary autotune can be used when the motor is loaded and it is not possible to uncouple the load from the motor shaft. A stationary autotune measures the stator resistance of the motor and the voltage offset in the drive. These are required for good performance in vector control modes. A stationary autotune does not measure the power factor of the motor so the value on the motor nameplate must be entered into Pr 0.43. A rotating autotune should only be used if the motor is uncoupled. A rotating autotune first performs a stationary autotune before rotating the motor at $\frac{2}{3}$ base speed in the direction selected. The rotating autotune measures the power factor of the motor. <p>To perform an autotune:</p> <ul style="list-style-type: none"> Set Pr 0.40 = 1 for a stationary autotune or set Pr 0.40 = 2 for a rotating autotune Close the Drive Enable signal (terminal 31). The drive will display 'rdY'. Close the run signal (terminal 26 or 27). The lower display will flash 'Auto' and 'tunE' alternatively, while the drive is performing the autotune. Wait for the drive to display 'rdY' or 'inh' and for the motor to come to a standstill. <p>If the drive trips, see Chapter 15 <i>Diagnostics</i> on page 275. Remove the drive enable and run signal from the drive.</p>																																									
Save parameters	Enter 1000 in Pr xx.00 Press the red reset button or toggle the reset digital input (ensure Pr xx.00 returns to 0)																																									
Run	Drive is now ready to run																																									

9.4.2 RFC mode

Software V01.10.00 or later should be used for RFC mode.




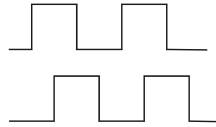
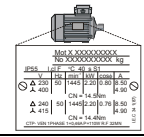
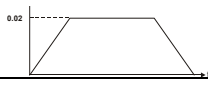
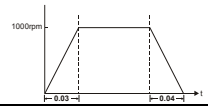

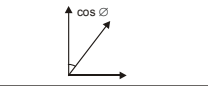
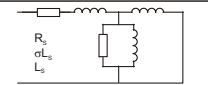
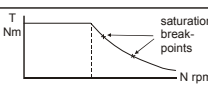


Induction motor

Action	Detail	
Before power-up	Ensure: <ul style="list-style-type: none"> Drive Enable signal is not given (terminal 31) Run signal is not given Motor and feedback device are connected 	
Power-up the drive	Ensure: <ul style="list-style-type: none"> Drive displays 'inh' If the drive trips, see Chapter 15 <i>Diagnostics</i> on page 275.	
Select RFC mode and disable encoder wire-break trip	<ul style="list-style-type: none"> Set Pr 3.24 = 1 or 3 to select RFC mode Set Pr 3.40 = 0 	
Enter motor nameplate details	Enter: <ul style="list-style-type: none"> Motor rated frequency in Pr 0.47 (Hz) Motor rated current in Pr 0.46 (A) Motor rated speed (base speed - slip speed) in Pr 0.45 (rpm) Motor rated voltage in Pr 0.44 (V) - check if Δ or Y connection 	
Set maximum speed	Enter: <ul style="list-style-type: none"> Maximum speed in Pr 0.02 (rpm) 	
Set acceleration / deceleration rates	Enter: <ul style="list-style-type: none"> Acceleration rate in Pr 0.03 (s/1000rpm) Deceleration rate in Pr 0.04 (s/1000rpm) (If braking resistor installed, set Pr 0.15 = FAST. Also ensure Pr 10.30 and Pr 10.31 are set correctly, otherwise premature 'lt.br' trips may be seen.) 	
Select or deselect catch a spinning motor mode	<p>If catch a spinning motor mode is not required then set Pr 6.09 to 0.</p> <p>If catch a spinning motor mode is required then leave Pr 6.09 at the default of 1, but depending on the size of the motor the value in Pr 5.40 may need to be adjusted.</p> <p>Pr 5.40 defines a scaling function used by the algorithm that detects the speed of the motor. The default value of Pr 5.40 is 1 which is suitable for small motors (<4kW). For larger motors the value in Pr 5.40 will need to be increased. Approximate values of Pr 5.40 for different motor sizes are as follows, 2 for 11kW, 3 for 55kW and 5 for 150kW. If the value of Pr 5.40 is too large the motor may accelerate from standstill when the drive is enabled. If the value of this parameter is too small the drive will detect the motor speed as zero even if the motor is spinning.</p>	
Autotune	<p>The drive is able to perform either a stationary or a rotating autotune. The motor must be at a standstill before an autotune is enabled. A stationary autotune will give moderate performance whereas a rotating autotune will give improved performance as it measures the actual values of the motor parameters required by the drive.</p> <p>NOTE It is highly recommended that a rotating autotune is performed (Pr 0.40 set to 2).</p> <div style="border: 1px solid black; padding: 5px; margin: 5px 0;">  <p>A rotating autotune will cause the motor to accelerate up to $\frac{2}{3}$ base speed in the direction selected regardless of the reference provided. Once complete the motor will coast to a stop. The enable signal must be removed before the drive can be made to run at the required reference.</p> </div> <p>WARNING The drive can be stopped at any time by removing the run signal or removing the drive enable.</p> <ul style="list-style-type: none"> A stationary autotune can be used when the motor is loaded and it is not possible to uncouple the load from the motor shaft. The stationary autotune measures the stator resistance and transient inductance of the motor. These are used to calculate the current loop gains, and at the end of the test the values in Pr 0.38 and Pr 0.39 are updated. A stationary autotune does not measure the power factor of the motor so the value on the motor nameplate must be entered into Pr 0.43. A rotating autotune should only be used if the motor is uncoupled. A rotating autotune first performs a stationary autotune before rotating the motor at $\frac{2}{3}$ base speed in the direction selected. The rotating autotune measures the stator inductance of the motor and calculates the power factor. <p>To perform an autotune:</p> <ul style="list-style-type: none"> Set Pr 0.40 = 1 for a stationary autotune or set Pr 0.40 = 2 for a rotating autotune Close the Drive Enable signal (terminal 31). The drive will display 'rdY'. Close the run signal (terminal 26 or 27). The lower display will flash 'Auto' and 'tunE' alternatively, while the drive is performing the autotune. Wait for the drive to display 'rdY' or 'inh' and for the motor to come to a standstill <p>If the drive trips, see Chapter 15 <i>Diagnostics</i> on page 275. Remove the drive enable and run signal from the drive.</p>	 
Save parameters	Enter 1000 in Pr xx.00 Press the red  reset button or toggle the reset digital input (ensure Pr xx.00 returns to 0)	
Run	Drive is now ready to run	

9.4.3 Closed loop vector mode

Induction motor with incremental encoder feedback




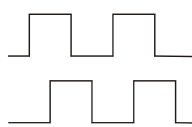
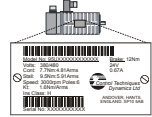
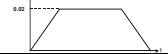
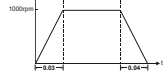

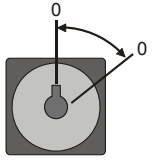


For simplicity only an incremental quadrature encoder will be considered here. For information on setting up one of the other supported speed feedback devices, refer to section 9.6 *Setting up a feedback device* on page 132.

Action	Detail	
Before power-up	Ensure: <ul style="list-style-type: none"> Drive Enable signal is not given (terminal 31) Run signal is not given Motor and feedback device are connected 	
Power-up the drive	Ensure: <ul style="list-style-type: none"> Drive displays 'inh' If the drive trips, see Chapter 15 <i>Diagnostics</i> on page 275.	
Set motor feedback parameters	Incremental encoder basic set-up Enter: <ul style="list-style-type: none"> Drive encoder type in Pr 3.38 = Ab (0): Quadrature encoder Encoder power supply in Pr. 3.36 = 5V (0), 8V (1) or 15V (2). NOTE If output voltage from the encoder is >5V, then the termination resistors must be disabled Pr 3.39 to 0. <div style="border: 1px solid black; padding: 5px; margin-top: 10px;">  <p>Setting the encoder voltage supply too high for the encoder could result in damage to the feedback device.</p> <p>CAUTION</p> <ul style="list-style-type: none"> Drive encoder Lines Per Revolution (LPR) in Pr 3.34 (set according to encoder) Drive encoder termination resistor setting in Pr. 3.39: <ul style="list-style-type: none"> 0 = A-A\, B-B\, Z-Z\ termination resistors disabled 1 = A-A\, B-B\, termination resistors enabled, Z-Z\ termination resistors disabled 2 = A-A\, B-B\, Z-Z\ termination resistors enabled </div>	
Enter motor nameplate details	Enter: <ul style="list-style-type: none"> Motor rated frequency in Pr 0.47 (Hz) Motor rated current in Pr 0.46 (A) Motor rated speed (base speed - slip speed) in Pr 0.45 (rpm) Motor rated voltage in Pr 0.44 (V) - check if Δ or Y connection 	
Set maximum speed	Enter: <ul style="list-style-type: none"> Maximum speed in Pr 0.02 (rpm) 	
Set acceleration / deceleration rates	Enter: <ul style="list-style-type: none"> Acceleration rate in Pr 0.03 (s/1000rpm) Deceleration rate in Pr 0.04 (s/1000rpm) (If braking resistor installed, set Pr 0.15 = FAST. Also ensure Pr 10.30 and Pr 10.31 are set correctly, otherwise premature 'lt.br' trips may be seen.) 	
Autotune	Unidrive SP is able to perform either a stationary or a rotating autotune. The motor must be at a standstill before an autotune is enabled. A stationary autotune will give moderate performance whereas a rotating autotune will give improved performance as it measures the actual values of the motor parameters required by the drive. <div style="border: 1px solid black; padding: 5px; margin-top: 10px;">  <p>A rotating autotune will cause the motor to accelerate up to $\frac{2}{3}$ base speed in the direction selected regardless of the reference provided. Once complete the motor will coast to a stop. The enable signal must be removed before the drive can be made to run at the required reference.</p> <p>WARNING The drive can be stopped at any time by removing the run signal or removing the drive enable.</p> </div> <ul style="list-style-type: none"> A stationary autotune can be used when the motor is loaded and it is not possible to uncouple the load from the motor shaft. The stationary autotune measures the stator resistance and transient inductance of the motor. These are used to calculate the current loop gains, and at the end of the test the values in Pr 0.38 and Pr 0.39 are updated. A stationary autotune does not measure the power factor of the motor so the value on the motor nameplate must be entered into Pr 0.43. A rotating autotune should only be used if the motor is uncoupled. A rotating autotune first performs a stationary autotune before rotating the motor at $\frac{2}{3}$ base speed in the direction selected. The rotating autotune measures the stator inductance of the motor and calculates the power factor. To perform an autotune: <ul style="list-style-type: none"> Set Pr 0.40 = 1 for a stationary autotune or set Pr 0.40 = 2 for a rotating autotune Close the Drive Enable signal (terminal 31). The drive will display 'rdY' Close the run signal (terminal 26 or 27). The lower display will flash 'Auto' and 'tunE' alternatively, while the drive is performing the autotune. Wait for the drive to display 'rdY' or 'inh' and for the motor to come to a standstill If the drive trips, see Chapter 15 <i>Diagnostics</i> on page 275. Remove the drive enable and run signal from the drive.	  
Save parameters	Enter 1000 in Pr xx.00 Press the red  reset button or toggle the reset digital input (ensure Pr xx.00 returns to 0)	
Run	Drive is now ready to run	

9.4.4 Servo

Permanent magnet motor with a speed and position feedback device

For simplicity only an incremental quadrature encoder with commutation outputs will be considered here. For information on setting up one of the other supported speed feedback devices, refer to section 9.6 *Setting up a feedback device* on page 132.

Action	Detail	
Before power-up	Ensure: <ul style="list-style-type: none"> Drive Enable signal is not given (terminal 31) Run signal is not given Motor is connected Feedback device is connected 	
Power-up the drive	Ensure: <ul style="list-style-type: none"> Drive displays 'inh' If the drive trips, see Chapter 15 <i>Diagnostics</i> on page 275.	
Set motor feedback parameters	Incremental encoder basic set-up Enter: <ul style="list-style-type: none"> Drive encoder type in Pr. 3.38 = Ab.SErVO (3): Quadrature encoder with commutation outputs Encoder power supply in Pr. 3.36 = 5V (0), 8V (1) or 15V (2). NOTE If output voltage from the encoder is >5V, then the termination resistors must be disabled Pr 3.39 to 0. <div style="border: 1px solid black; padding: 5px; margin: 5px 0;">  Setting the encoder voltage supply too high for the encoder could result in damage to the feedback device. </div> <ul style="list-style-type: none"> Drive encoder Pulses Per Revolution in Pr. 3.34 (set according to encoder) Drive encoder termination resistor setting in Pr. 3.39: <ul style="list-style-type: none"> 0 = A-A\, B-B\, Z-Z\ termination resistors disabled 1 = A-A\, B-B\, termination resistors enabled, Z-Z\ termination resistors disabled 2 = A-A\, B-B\, Z-Z\ termination resistors enabled 	
Enter motor nameplate details	Enter: <ul style="list-style-type: none"> Motor rated current in Pr 0.46 (A) Ensure that this equal to or less than the Heavy Duty rating of the drive otherwise It.AC trips may occur during the autotune. Number of poles in Pr 0.42 	
Set maximum speed	Enter: <ul style="list-style-type: none"> Maximum speed in Pr 0.02 (rpm) 	
Set acceleration / deceleration rates	Enter: <ul style="list-style-type: none"> Acceleration rate in Pr 0.03 (s/1000rpm) Deceleration rate in Pr 0.04 (s/1000rpm) (If braking resistor installed, set Pr 0.15 = FAST. Also ensure Pr 10.30 and Pr 10.31 are set correctly, otherwise premature 'It.br' trips may be seen.) 	
Autotune	Unidrive SP is able to perform a short low speed, a normal low speed or a minimal movement autotune. The motor must be at a standstill before an autotune is enabled. A normal low speed autotune will measure the encoder phase offset angle and calculate the current gains. <div style="border: 1px solid black; padding: 5px; margin: 5px 0;">  The short low speed and normal low speed tests will rotate the motor by up to 2 revolutions in the direction selected, regardless of the reference provided. The minimal movement test will move the motor through an angle defined by Pr 5.38. Once complete the motor will come to a standstill. The enable signal must be removed before the drive can be made to run at the required reference. The drive can be stopped at any time by removing the run signal or removing the Drive Enable. </div> The motor must not be loaded when attempting an autotune. <ul style="list-style-type: none"> The short low speed and normal low speed tests will rotate the motor by up to 2 rotations in the direction selected and the drive measures the encoder phase angle and updates the value in Pr 3.25. The normal low speed test also measures the stator resistance, and inductance of the motor. These are used to calculate the current loop gains, and at the end of the test the values in Pr 0.38 and Pr 0.39 are updated. The short low speed test takes approximately 2s and the normal low speed test approximately 20s to complete. The minimal movement autotune will move the motor through an angle defined by Pr 5.38. The motor must not be loaded for this test although it will operate correctly when the load is an inertia. To perform an autotune: <ul style="list-style-type: none"> Set Pr 0.40 = 1 for a short low speed autotune, Pr 0.40 = 2 for a normal low speed test or Pr 0.40 = 5 for a minimal movement autotune. Close the run signal (terminal 26 or 27). Close the Drive Enable signal (terminal 31). The lower display will flash 'Auto' and 'tunE' alternatively, while the drive is performing the test. Wait for the drive to display 'rdy' or 'inh' and for the motor to come to a standstill. If the drive trips it cannot be reset until the drive enable signal (terminal 31) has been removed. See Chapter 15 <i>Diagnostics</i> on page 275. Remove the drive enabled and run signal from the drive.	
Save parameters	Enter 1000 in Pr xx.00 Press the red  reset button or toggle the reset digital input (ensure Pr xx.00 returns to 0)	
Run	Drive is now ready to run	

9.5 Quick start commissioning/start-up (CTSoft)

CTSoft is a Windows™ based software commissioning/start-up tool for Unidrive SP and other Control Techniques products.

CTSoft can be used for commissioning/start-up and monitoring, drive parameters can be uploaded, downloaded and compared, and simple or custom menu listings can be created. Drive menus can be displayed in standard list format or as live block diagrams. CTSoft is able to communicate with a single drive or a network.

CTSoft can be found on the CD which is supplied with the drive and is also available for download from www.controltechniques.com (file size approximately 25MB).

CTSoft system requirements:

- Windows 2000/XP. **Windows 95/98/98SE/ME/NT4 and Windows 2003 server are NOT supported**
- Internet Explorer V5.0 or later must be installed
- Minimum of 800x600 screen resolution with 256 colors. 1024x768 is recommended.
- 128MB RAM
- Pentium III 500MHz or better recommended.
- Adobe Acrobat Reader 5.1 or later (for parameter help). See CD provided
- Microsoft.Net Frameworks 2.0
- Note that you must have administrator rights under Windows 2000/XP to install.

To install CTSoft from the CD, insert the CD and the auto-run facility should start up the front-end screen from which CTSoft can be selected. Any previous copy of CTSoft should be uninstalled before proceeding with the installation (existing projects will not be lost).

Included with CTSoft are the user guides for the supported drive models. When help on a particular parameter is request by the user, CTSoft links to the parameter in the relevant advanced user guide.

9.6 Setting up a feedback device

This section shows the parameter settings which must be made to use each of the compatible encoder types with Unidrive SP. For more information on the parameters listed here please refer to the *Unidrive SP Advanced User Guide*.

9.6.1 Overview

Table 9-3 Parameters required for feedback device set-up

Parameter	Ab, Fd, Fr, Ab.SErVO, Fd.SErVO, Fr.SErVO, or SC encoders	SC.HiPEr encoder	SC.EndAt or SC.SSI encoders	EndAt encoder	SSI encoder
3.33 Drive encoder turns		✓ x	✓ x	✓ x	✓
3.34 Drive encoder lines per revolution	✓	✓ x	✓ x		
3.35 Drive encoder comms resolution		✓ x	✓ x	✓ x	✓
3.36 Drive encoder supply voltage*	✓	✓	✓	✓	✓
3.37 Drive encoder comms baud rate			✓	✓	✓
3.38 Drive encoder type	✓	✓	✓	✓	✓
3.41 Drive encoder auto configuration enable or SSI binary format select		✓	✓	✓	✓

✓ Information required

x Parameter can be set-up automatically by the drive through auto-configuration

* Pr 3.36: If A + B >5V then disable termination resistors

Table 9-3 shows a summary of the parameters required to set-up each feedback device. More detailed information follows.

9.6.2 Detailed feedback device commissioning/start-up information

Standard quadrature encoder with or without commutation signals (A, B, Z or A, B, Z, U, V, W), or Sincos encoder without serial communications

Encoder type	Pr 3.38	Ab (0) for a quadrature encoder without commutation signals * Ab.SERVO (3) for a quadrature encoder with commutation signals SC (6) for a Sincos encoder without serial communications *
Encoder power supply voltage	Pr 3.36	5V (0), 8V (1) or 15V (2) NOTE If output voltage from the encoder is >5V, then the termination resistors must be disabled Pr 3.39 to 0
Encoder number of lines per revolution	Pr 3.34	Set to the number of lines or sine waves per revolution of the encoder. See section 9.6.3 <i>Restriction of encoder number of lines per revolution</i> on page 135 for restrictions on this parameter.
Encoder termination selection (Ab or Ab.SERVO only)	Pr 3.39	0 = A, B, Z termination resistors disabled 1 = A, B termination resistors enabled and Z termination resistors disabled 2 = A, B, Z termination resistors enabled
Encoder error detection level	Pr 3.40	0 = Error detection disable 1 = Wire break detection on A, B and Z inputs enabled 2 = Phase error detection (Ab.SERVO only) 3 = Wire break detection on A, B and Z inputs and phase error detection (Ab.SERVO only) Termination resistors must be enabled for wire break detection to operate

* These settings should only be used in closed loop vector mode, otherwise a phase offset test must be performed after every power up.

Incremental encoder with frequency and direction (F and D), or Forward and Reverse (CW and CCW) signals, with or without commutation signals

Encoder type	Pr 3.38	Fd (1) for frequency and direction signals without commutation signals * Fr (2) for forward and reverse signals without commutation signals * Fd.SERVO (4) for a frequency and direction encoder with commutation signals Fr.SERVO (5) for forward and reverse signals with commutation signals
Encoder power supply voltage	Pr 3.36	5V (0), 8V (1) or 15V (2) NOTE If output voltage from the encoder is >5V, then the termination resistors must be disabled Pr 3.39 to 0
Encoder number of lines per revolution	Pr 3.34	Set to the number of pulses per revolution of the encoder divide by 2. See section 9.6.3 <i>Restriction of encoder number of lines per revolution</i> on page 135 for restrictions on this parameter.
Encoder termination selection	Pr 3.39	0 = F or CW, D or CCW, Z termination resistors disabled 1 = F or CW, D or CCW termination resistors enabled and Z termination resistors disabled 2 = For CW, D or CCW, Z termination resistors enabled
Encoder error detection level	Pr 3.40	0 = Error detection disable 1 = Wire break detection on F & D or CW & CCW, and Z inputs enabled 2 = Phase error detection (Fd.SERVO and Fr.SERVO only) 3 = Wire break detection on F & D or CW & CCW, and Z inputs and Phase error detection (Fd.SERVO and Fr.SERVO only) Termination resistors must be enabled for wire break detection to operate

* These settings should only be used in closed loop vector mode, otherwise a phase offset test must be performed after every power up.

Absolute Sincos encoder with Hiperface or EnDat serial communications, or Absolute EnDat communications only encoder

The Unidrive SP is compatible with the following Hiperface encoders:

SCS 60/70, SCM 60/70, SRS 50/60, SRM 50/60, SHS 170, LINCODER, SCS-KIT 101, SKS36, SKM36, SEK-53.

Encoder type	Pr 3.38	SC.HiPEr (7) for a Sincos encoder with Hiperface serial communications EndAt (8) for an EnDat communications only encoder SC.EndAt (9) for a Sincos encoder with EnDat serial communications
Encoder power supply voltage	Pr 3.36	5V (0), 8V (1) or 15V (2)
Encoder auto configure enable	Pr 3.41	Setting this to 1 automatically sets up the following parameters: Pr 3.33 Encoder turn bits Pr 3.34 Encoder number of lines of revolution (SC.HiPEr and SC.EndAt only) * Pr 3.35 Encoder single turn comms resolution Alternatively these parameters can be entered manually.
Encoder comms baud rate (EndAt and SC.EndAt only)	Pr 3.37	100 = 100k, 200 = 200k, 300 = 300k, 500 = 500k, 1000 = 1M, 1500 = 1.5M, or 2000 = 2M
Encoder error detection level (SC.HiPEr and SC.EndAt only)	Pr 3.40	0 = Error detection disabled 1 = Wire break detection on Sin and Cos inputs 2 = Phase error detection 3 = Wire break detection on Sin and Cos inputs and phase error detection

* See section 9.6.3 *Restriction of encoder number of lines per revolution* on page 135 for restrictions on this parameter.

Absolute SSI communications only encoder, or Absolute Sincos encoder with SSI

Encoder type	Pr 3.38	SSI (10) for a SSI communications only encoder SC.SSI (11) for a Sincos encoder with SSI
Encoder power supply voltage	Pr 3.36	5V (0), 8V (1) or 15V (2)
Encoder number of lines per revolution. (SC.SSI only)	Pr 3.34	Set to the number of sine waves per revolution of the encoder. See section 9.6.3 <i>Restriction of encoder number of lines per revolution</i> on page 135 for restrictions on this parameter.
SSI binary format select	Pr 3.41	OFF (0) for gray code, or On (1) for binary format SSI encoders
Encoder turn bits	Pr 3.33	Set to the number of turn bits for the encoder (this is usually 12bits for a SSI encoder)
Encoder single turn comms resolution	Pr 3.35	Set to the single turn comms resolution for the encoder (this is usually 13bits for a SSI encoder)
Encoder comms baud rate	Pr 3.37	100 = 100k, 200 = 200k, 300 = 300k, 500 = 500k, 1000 = 1M, 1500 = 1.5M, or 2000 = 2M
Encoder error detection level	Pr 3.40	0 = Error detection disabled 1 = Wire break detection on Sin and Cos inputs (SC.SSI only) 2 = Phase error detection (SC.SSI only) 3 = Wire break detection and phase error detection (SC.SSI only) 4 = SSI power supply bit monitor 5 = SSI power supply bit monitor and wire break detection (SC.SSI only) 6 = SSI power supply bit monitor and phase error detection (SC.SSI only) 7 = SSI power supply bit monitor, wire break detection and phase error detection (SC.SSI only)

UVW commutation signal only encoders*

Encoder type	Pr 3.38	Ab.servo
Encoder power supply voltage	Pr 3.36	5V (0), 8V (1) or 15V (2)
Encoder number of lines per revolution	Pr 3.34	Set to zero
Encoder error detection level	Pr 3.40	Set to zero to disable wire break detection

* This feedback device provides very low resolution feedback and should not be used for applications requiring a high level of performance.

9.6.3 Restriction of encoder number of lines per revolution

Although Pr 3.34 can be set to any value from 0 to 50,000 there are restrictions on the values actually used by the drive. These restrictions are dependent on the software version as follows:

Software version V01.06.01 and later

Table 9-4 Restrictions of drive encoder lines per revolution with software version V01.06.01 and later

Position feedback device	Equivalent Lines per revolution used by the drive
Ab, Fd, Fr, Ab.SErVO, Fd.SErVO, Fr.SErVO, SC	The drive uses the value in Pr 3.34.
SC.HiPEr, SC.EndAt, SC.SSI (rotary encoders)	If Pr 3.34 ≤ 1 , the drive uses the value of 1. If $1 < \text{Pr } 3.34 < 32,768$, the drive uses the value in Pr 3.34 rounded down to nearest value that is a power of 2. If Pr 3.34 $\geq 32,768$, the drive uses the value of 32,768.
SC.HiPEr, SC.EndAt, SC.SSI (linear encoders)	The drive uses the value in Pr 3.34.

Software version V01.06.00 and earlier

Table 9-5 Restrictions of drive encoder lines per revolution with software version V01.06.00 and earlier

Position feedback device	Equivalent Lines per revolution used by the drive
Ab, Fd, Fr	If Pr 3.34 < 2 , the drive uses the value of 2. If $2 \leq \text{Pr } 3.34 \leq 16,384$, the drive uses the value in Pr 3.34. If Pr 3.34 $> 16,384$, the drive uses the value in Pr 3.34 rounded down to nearest value divisible by 4.
Ab.SErVO, Fd.SErVO, Fr.SErVO	If Pr 3.34 ≤ 2 , the drive uses the value of 2. If $2 < \text{Pr } 3.34 < 16,384$, the drive uses the value in Pr 3.34 rounded down to nearest value that is a power of 2. If Pr 3.34 $\geq 16,384$, the drive uses the value of 16,384.
SC, SC.HiPEr, SC.EndAt, SC.SSI	If Pr 3.34 ≤ 2 , the drive uses the value of 2. If $2 < \text{Pr } 3.34 < 32,768$, the drive uses the value in Pr 3.34 rounded down to nearest value that is a power of 2. If Pr 3.34 $\geq 32,768$, the drive uses the value of 32,768.

At power-up Pr 3.48 is initially zero, but is set to one when the drive encoder and any encoders connected to any Solutions Modules have been initialised. The drive cannot be enabled until this parameter is one.

Encoder initialisation will occur as follows:

- At drive power-up
- When requested by the user via Pr 3.47
- When trips PS.24V, Enc1 to Enc8, or Enc11 to Enc17 trips are reset
- The encoder number of lines per revolution (Pr 3.34) or the number of motor poles (Pr 5.11 and Pr 21.11) are changed (software version V01.08.00 and later).

Initialisation causes an encoder with communications to be re-initialised and auto-configuration to be performed if selected. After initialisation Ab.SErVO, Fd.SErVO and Fr.SErVO encoders will use the UVW commutations signals to give position feedback for the first 120° (electrical) of rotation when the motor is restarted.

10 Optimization

This chapter takes the user through methods of optimizing the product set-up, maximizing performance. The auto-tuning features of the drive simplify this task.

10.1 Motor map parameters

10.1.1 Open loop motor control

Pr 0.46 {5.07} Motor rated current	Defines the maximum continuous motor current
<p>The motor rated current parameter must be set to the maximum continuous current of the motor. (See section 10.2 <i>Maximum motor rated current</i> on page 146, for information about setting this parameter higher than the maximum Heavy Duty current rating.) The motor rated current is used in the following:</p> <ul style="list-style-type: none"> • Current limits (see section 10.3 <i>Current limits</i> on page 146, for more information) • Motor thermal overload protection (see section 10.4 <i>Motor thermal protection</i> on page 146, for more information) • Vector mode voltage control (see Voltage mode Pr 0.07, later in this table) • Slip compensation (see Slip compensation Pr 5.27, later in this table) • Dynamic V/F control 	
Pr 0.44 {5.09} Motor rated voltage	Defines the voltage applied to the motor at rated frequency
Pr 0.47 {5.06} Motor rated frequency	Defines the frequency at which rated voltage is applied
<p>The motor rated voltage Pr 0.44 and the motor rated frequency Pr 0.47 are used to define the voltage to frequency characteristic applied to the motor (see voltage mode Pr 0.07, later in this table). The motor rated frequency is also used in conjunction with the motor rated speed to calculate the rated slip for slip compensation (see motor rated speed Pr 0.45, later in this table).</p>	
<p>The graph shows Output voltage on the y-axis and Output frequency on the x-axis. A line starts at the origin, passes through the point (Pr 0.47 / 2, Pr 0.44 / 2), and ends at (Pr 0.47, Pr 0.44). After Pr 0.47, the output voltage remains constant at Pr 0.44.</p>	
Pr 0.45 {5.08} Motor rated speed	Defines the full load rated speed of the motor
Pr 0.42 {5.11} Motor number of poles	Defines the number of motor poles
<p>The motor rated speed and the number of poles are used with the motor rated frequency to calculate the rated slip of induction machines in Hz.</p> $\text{Rated slip (Hz)} = \text{Motor rated frequency} - (\text{Number of pole pairs} \times [\text{Motor rated speed} / 60]) = 0.47 - \left(\frac{0.42}{2} \times \frac{0.45}{60} \right)$ <p>If Pr 0.45 is set to 0 or to synchronous speed, slip compensation is disabled. If slip compensation is required this parameter should be set to the nameplate value, which should give the correct rpm for a hot machine. Sometimes it will be necessary to adjust this when the drive is commissioned because the nameplate value may be inaccurate. Slip compensation will operate correctly both below base speed and within the field-weakening region. Slip compensation is normally used to correct for the motor speed to prevent speed variation with load. The rated load rpm can be set higher than synchronous speed to deliberately introduce speed droop. This can be useful to aid load sharing with mechanically coupled motors.</p> <p>Pr 0.42 is also used in the calculation of the motor speed display by the drive for a given output frequency. When Pr 0.42 is set to 'Auto', the number of motor poles is automatically calculated from the rated frequency Pr 0.47, and the motor rated speed Pr 0.45.</p> $\text{Number of poles} = 120 \times (\text{Motor rated frequency Pr } 0.47 / \text{Motor rated speed Pr } 0.45) \text{ rounded to the nearest even number}$	
Pr 0.43 {5.10} Motor rated power factor	Defines the angle between the motor voltage and current
<p>The power factor is the true power factor of the motor, i.e. the angle between the motor voltage and current. The power factor is used in conjunction with the motor rated current Pr 0.46, to calculate the rated active current and magnetising current of the motor. The rated active current is used extensively to control the drive, and the magnetising current is used in vector mode stator resistance compensation. It is important that this parameter is set up correctly. The drive can measure the motor rated power factor by performing a rotating autotune (see Autotune Pr 0.40, below).</p>	
Pr 0.40 {5.12} Autotune	
<p>There are two autotune tests available in open loop mode, a stationary and a rotating test. A rotating autotune should be used whenever possible so the measured value of power factor of the motor is used by the drive.</p> <ul style="list-style-type: none"> • A stationary autotune can be used when the motor is loaded and it is not possible to remove the load from the motor shaft. The stationary test measures the stator resistance (Pr 5.17) and voltage offset (Pr 5.23), which are required for good performance in vector control modes (see Voltage mode Pr 0.07, later in this table). The stationary autotune does not measure the power factor of the motor so the value on the motor nameplate must be entered into Pr 0.43. To perform a Stationary autotune, set Pr 0.40 to 1, and provide the drive with both an enable signal (on terminal 31) and a run signal (on terminal 26 or 27). • A rotating autotune should only be used if the motor is unloaded. A rotating autotune first performs a stationary autotune, as above, before rotating the motor at $\frac{2}{3}$ base speed in the direction selected for several seconds (regardless of the speed reference). In addition to the stator resistance (Pr 5.17) and voltage offset (Pr 5.23), the rotating autotune measures the power factor of the motor and updates Pr 0.43 with the correct value. To perform a Rotating autotune, set Pr 0.40 to 2, and provide the drive with both an enable signal (on terminal 31) and a run signal (on terminal 26 or 27). <p>Following the completion of an autotune test the drive will go into the inhibit state. The drive must be placed into a controlled disable condition before the drive can be made to run at the required reference. The drive can be put in to a controlled disable condition by removing the SAFE TORQUE OFF (SECURE DISABLE) signal from terminal 31, setting the drive enable parameter Pr 6.15 to OFF (0) or disabling the drive via the control word (Pr 6.42 & Pr 6.43).</p>	

Pr 0.07 {5.14} Voltage mode

There are six voltage modes available which fall into two categories, vector control and fixed boost.

Vector control

Vector control mode provides the motor with a linear voltage characteristic from 0Hz to motor rated frequency (Pr 0.47), and then a constant voltage above motor rated frequency. When the drive operates between motor rated frequency/50 and motor rated frequency/4, full vector based stator resistance compensation is applied. When the drive operates between motor rated frequency/4 and motor rated frequency/2 the stator resistance compensation is gradually reduced to zero as the frequency increases. For the vector modes to operate correctly the motor rated power factor (Pr 0.43), stator resistance (Pr 5.17) and voltage offset (Pr 5.23) are all required to be set up accurately. The drive can be made to measure these by performing an autotune (see Pr 0.40 Autotune). The drive can also be made to measure the stator resistance and voltage offset automatically every time the drive is enabled or the first time the drive is enabled after it is powered up, by selecting one of the vector control voltage modes.

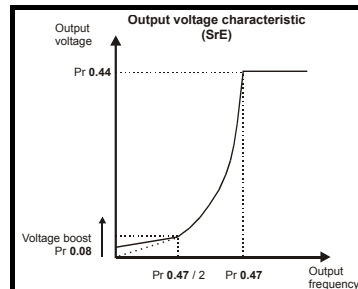
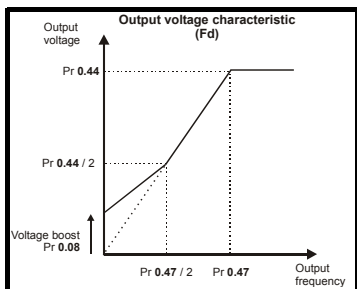
- (0) **Ur_S** = The stator resistance and the voltage offset are measured and the parameters for the selected motor map are over-written each time the drive is made to run. This test can only be done with a stationary motor where the flux has decayed to zero. Therefore this mode should only be used if the motor is guaranteed to be stationary each time the drive is made to run. To prevent the test from being done before the flux has decayed there is a period of 1 second after the drive has been in the ready state during which the test is not done if the drive is made to run again. In this case, previously measured values are used. Ur_s mode ensures that the drive compensates for any change in motor parameters due to changes in temperature. The new values of stator resistance and voltage offset are not automatically saved to the drive's EEPROM.
- (4) **Ur_I** = The stator resistance and voltage offset are measured when the drive is first made to run after each power-up. This test can only be done with a stationary motor. Therefore this mode should only be used if the motor is guaranteed to be stationary the first time the drive is made to run after each power-up. The new values of stator resistance and voltage offset are not automatically saved to the drive's EEPROM.
- (1) **Ur** = The stator resistance and voltage offset are not measured. The user can enter the motor and cabling resistance into the stator resistance parameter (Pr 5.17). However this will not include resistance effects within the drive inverter. Therefore if this mode is to be used, it is best to use an autotune test initially to measure the stator resistance and voltage offset.
- (3) **Ur_Auto** = The stator resistance and voltage offset are measured once, the first time the drive is made to run. After the test has been completed successfully the voltage mode (Pr 0.07) is changed to Ur mode. The stator resistance (Pr 5.17) and voltage offset (Pr 5.23) parameters are written to, and along with the voltage mode (Pr 0.07), are saved in the drive's EEPROM. If the test fails, the voltage mode will stay set to Ur_Auto and the test will be repeated next time the drive is made to run.

Fixed boost

Neither the stator resistance nor the voltage offset are used in the control of the motor, instead a fixed characteristic with low frequency voltage boost as defined by parameter Pr 0.08, is used. Fixed boost mode should be used when the drive is controlling multiple motors. There are two settings of fixed boost available:

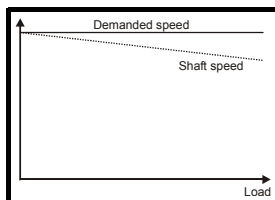
- (2) **Fd** = This mode provides the motor with a linear voltage characteristic from 0Hz to rated frequency (Pr 0.47), and then a constant voltage above rated frequency.
- (5) **SrE** = This mode provides the motor with a square law voltage characteristic from 0Hz to rated frequency (Pr 0.47), and then a constant voltage above rated frequency. This mode is suitable for variable torque applications like fans and pumps where the load is proportional to the square of the speed of the motor shaft. This mode should not be used if a high starting torque is required.

For both these modes, at low frequencies (from 0Hz to $\frac{1}{2} \times$ Pr 0.47) a voltage boost is applied defined by Pr 0.08 as shown below:



Pr 5.27 Slip compensation

When a motor, being controlled in open loop mode, has load applied a characteristic of the motor is that the output speed droops in proportion to the load applied as shown:



In order to prevent the speed droop shown above slip compensation should be enabled.

To enable slip compensation Pr 5.27 must be set to a 1 (this is the default setting), and the motor rated speed must be entered in Pr 0.45 (Pr 5.08). The motor rated speed parameter should be set to the synchronous speed of the motor minus the slip speed. This is normally displayed on the motor nameplate, i.e. for a typical 18.5kW, 50Hz, 4 pole motor, the motor rated speed would be approximately 1465rpm. The synchronous speed for a 50Hz, 4 pole motor is 1500rpm, so therefore the slip speed would be 35rpm.

If the synchronous speed is entered in Pr 0.45, slip compensation will be disabled. If too small a value is entered in Pr 0.45, the motor will run faster than the demanded frequency.

The synchronous speeds for 50Hz motors with different numbers of poles are as follows:

- 2 pole = 3000rpm, 4 pole = 1500rpm, 6pole = 1000rpm, 8 pole = 750rpm

10.1.2 RFC mode

Software V01.10.00 or later should be used for RFC mode.

Pr 0.46 {5.07} Motor rated current	Defines the maximum motor continuous current
<p>The motor rated current parameter must be set to the maximum continuous current of the motor. (See section 10.2 <i>Maximum motor rated current</i> on page 146, for information about setting this parameter higher than the maximum Heavy Duty current rating.) The motor rated current is used in the following:</p> <ul style="list-style-type: none"> • Current limits (see section 10.3 <i>Current limits</i> on page 146, for more information) • Motor thermal overload protection (see section 10.4 <i>Motor thermal protection</i> on page 146, for more information) • Vector control algorithm 	
Pr 0.44 {5.09} Motor rated voltage	Defines the voltage applied to the motor at rated frequency
Pr 0.47 {5.06} Motor rated frequency	Defines the frequency at which rated voltage is applied
<p>The motor rated voltage Pr 0.44 and the motor rated frequency Pr 0.47 are used to define the relationship between the voltage and frequency applied to the motor, as shown.</p> <p>The motor rated voltage is used by the field controller to limit the voltage applied to the motor. Normally this is set to the nameplate value. To allow current control to be maintained, it is necessary for the drive to leave some 'headroom' between the motor terminal voltage and the maximum available drive output voltage. For good transient performance at high speed, the motor rated voltage should be set below 95% of the minimum supply voltage to the drive.</p> <p>The motor rated voltage and motor rated frequency are also used during the rotating autotune test (see Autotune Pr 0.40 later in this table) and in the calculations required for automatic optimization of the motor rated speed (see Motor rated speed optimization Pr 5.16, later in this table). Therefore, it is important that the correct value for motor rated voltage is used.</p>	
Pr 0.45 {5.08} Motor rated speed	Defines the full load rated speed of the motor
Pr 0.42 {5.11} Motor number of poles	Defines the number of motor poles
<p>The motor rated speed and motor rated frequency are used to determine the full load slip of the motor which is used by the vector control algorithm. Incorrect setting of this parameter has the following effects:</p> <ul style="list-style-type: none"> • Reduced efficiency of motor operation • Reduction of maximum torque available from the motor • Reduced transient performance • Inaccurate control of absolute torque in torque control modes <p>The nameplate value is normally the value for a hot motor; however, some adjustment may be required when the drive is commissioned if the nameplate value is inaccurate. Either a fixed value can be entered in this parameter or an optimization system may be used to automatically adjust this parameter (see Motor rated speed autotune Pr 5.16, later in this table).</p> <p>When Pr 0.42 is set to 'Auto', the number of motor poles is automatically calculated from the motor rated frequency Pr 0.47, and the motor rated speed Pr 0.45</p> $\text{Number of poles} = 120 \times (\text{Motor rated frequency Pr } 0.47 / \text{Motor rated speed Pr } 0.45) \text{ rounded to the nearest even number}$	
Pr 0.43 {5.10} Motor rated power factor	Defines the angle between the motor voltage and current
<p>The power factor is the true power factor of the motor, i.e. the angle between the motor voltage and current. If the stator inductance is set to zero (Pr 5.25) then the power factor is used in conjunction with the motor rated current Pr 0.46 and other motor parameters to calculate the rated active and magnetising currents of the motor, which are used in the vector control algorithm. If the stator inductance has a non-zero value this parameter is not used by the drive, but is continuously written with a calculated value of power factor. The stator inductance can be measured by the drive by performing a rotating autotune (see Autotune Pr 0.40, later in this table).</p>	

Pr 0.40 {5.12} Autotune

There are three autotune tests available in RFC mode, a stationary test, a rotating test and an inertia measurement test. A stationary autotune will give moderate performance whereas a rotating autotune will give improved performance as it measures the actual values of the motor parameters required by the drive. An inertia measurement test should be performed separately to a stationary or rotating autotune.

NOTE

It is highly recommended that a rotating autotune is performed (Pr 0.40 set to 2).

- A stationary autotune can be used when the motor is loaded and it is not possible to remove the load from the motor shaft. The stationary autotune measures the stator resistance (Pr 5.17) and transient inductance (Pr 5.24) of the motor. These are used to calculate the current loop gains, and at the end of the test the values in Pr 4.13 and Pr 4.14 are updated. A stationary autotune does not measure the power factor of the motor so the value on the motor nameplate must be entered into Pr 0.43. To perform a Stationary autotune, set Pr 0.40 to 1, and provide the drive with both an enable signal (on terminal 31) and a run signal (on terminal 26 or 27).
- A rotating autotune should only be used if the motor is unloaded. A rotating autotune first performs a stationary autotune before rotating the motor at $\frac{2}{3}$ of motor rated frequency in the direction selected for approximately 30s. During the rotating autotune the stator inductance (Pr 5.25), and the motor saturation breakpoints (Pr 5.29 and Pr 5.30) are modified by the drive. The power factor is also modified for user information only, but is not used after this point as the stator inductance is used in the vector control algorithm instead. To perform a Rotating autotune, set Pr 0.40 to 2, and provide the drive with both an enable signal (on terminal 31) and a run signal (on terminal 26 or 27).
- The inertia measurement test can measure the total inertia of the load and the motor. This is used to set the speed loop gains (see *Speed loop gains*) and to provide torque feed-forwards when required during acceleration.
During the inertia measurement test the drive attempts to accelerate the motor in the direction selected up to $\frac{3}{4}$ x rated load rpm and then back to standstill. The drive uses rated torque/16, but if the motor cannot be accelerated to the required speed the drive then increases the torque progressively to $x^{1/6}$, $x^{1/4}$, $x^{1/2}$ and $x1$ rated torque. If the required speed is not achieved on the final attempt the test is aborted and a tunE1 trip is initiated. If the test is successful the acceleration and deceleration times are used to calculate the motor and load inertia which is then written to Pr 3.18. The motor map parameters must be set up correctly including the power factor before performing an inertia measurement test. To perform an Inertia measurement autotune, set Pr 0.40 to 3, and provide the drive with both an enable signal (on terminal 31) and a run signal (on terminal 26 or 27).

Following the completion of an autotune test the drive will go into the inhibit state. The drive must be placed into a controlled disable condition before the drive can be made to run at the required reference. The drive can be put in to a controlled disable condition by removing the SAFE TORQUE OFF (SECURE DISABLE) signal from terminal 31, setting the drive enable parameter Pr 6.15 to OFF (0) or disabling the drive via the control word (Pr 6.42 & Pr 6.43).

Pr 0.38 {4.13} / Pr 0.39 {4.14} Current loop gains

The current loop gains proportional (Kp) and integral (Ki) gains control the response of the current loop to a change in current (torque) demand. The default values give satisfactory operation with most motors. However, for optimal performance in dynamic applications it may be necessary to change the gains to improve the performance. The proportional gain (Pr 4.13) is the most critical value in controlling the performance. The values for the current loop gains can be calculated by one of the following:

- During a stationary or rotating autotune (see *Autotune Pr 0.40*, earlier in this table) the drive measures the stator resistance (Pr 5.17) and transient inductance (Pr 5.24) of the motor and calculates the current loop gains.
- By setting Pr 0.40 to 4 the drive will calculate the current loop gains from the values of stator resistance (Pr 5.17) and transient inductance (Pr 5.24) set in the drive.

This will give a step response with minimum overshoot after a step change of current reference. The proportional gain can be increased by a factor of 1.5 giving a similar increase in bandwidth; however, this gives a step response with approximately 12.5% overshoot. The equation for the integral gain gives a conservative value. In some applications where it is necessary for the reference frame used by the drive to dynamically follow the flux very closely (i.e. high speed RFC induction motor applications) the integral gain may need to have a significantly higher value.

Pr 3.42 Drive encoder filter

In RFC mode Pr 3.42 defines a filter on the output of the speed estimator which is used as the speed feedback. A filter with a 4ms time constant is always present on the output of the speed estimator, but this filter may be extended as follows:

0 = 4ms, 1 = 8ms, 2 = 16ms, 3 = 32ms, 4 = 64ms, 5 = 128ms.

The output of the speed estimator can include some ripple, which increases as the drive passes into field weakening and the filter can be used to remove this ripple. This is particularly useful when using standard ramp or spinning start with a low friction, high inertia load, and can prevent over voltage trips when the drive has no braking resistor.

Pr 5.40 Spin start boost

If Pr 6.09 is set to enable the catch a spinning motor function in open-loop mode or RFC modes, this parameter defines a scaling function used by the algorithm that detects the speed of the motor. It is likely that for smaller motors (~4kW) the default value of 1.0 is suitable, but for larger motors this parameter may need to be increased. If the value of this parameter is too large the motor may accelerate from standstill when the drive is enabled. If the value of this parameter is too small the drive will detect the motor speed as zero even if the motor is spinning.

Speed loop gains (Pr 0.07 {3.10}, Pr 0.08 {3.11}, Pr 0.09 {3.12})

The speed loop gains control the response of the speed controller to a change in speed demand. The speed controller includes proportional (K_p) and integral (K_i) feed forward terms, and a differential (K_d) feedback term. The drive holds two sets of these gains and either set may be selected for use by the speed controller with Pr 3.16. If Pr 3.16 = 0, gains K_{p1} , K_{i1} and K_{d1} (Pr 0.07 to Pr 0.09) are used, and if Pr 3.16 = 1, gains K_{p2} , K_{i2} and K_{d2} (Pr 3.13 to Pr 3.15) are used. Pr 3.16 may be changed when the drive is enabled or disabled. If the load is predominantly a constant inertia and constant torque, the drive can calculate the required K_p and K_i gains to give a required compliance angle or bandwidth dependant on the setting of Pr 3.17.

Proportional gain (K_p), Pr 0.07 {3.10} and Pr 3.13

If the proportional gain has a value and the integral gain is set to zero the controller will only have a proportional term, and there must be a speed error to produce a torque reference. Therefore as the motor load increases there will be a difference between the reference and actual speeds. This effect, called regulation, depends on the level of the proportional gain, the higher the gain the smaller the speed error for a given load. If the proportional gain is too high either the acoustic noise produced by speed feedback quantization becomes unacceptable, or the stability limit is reached.

Integral gain (K_i), Pr 0.08 {3.11} and Pr 3.14

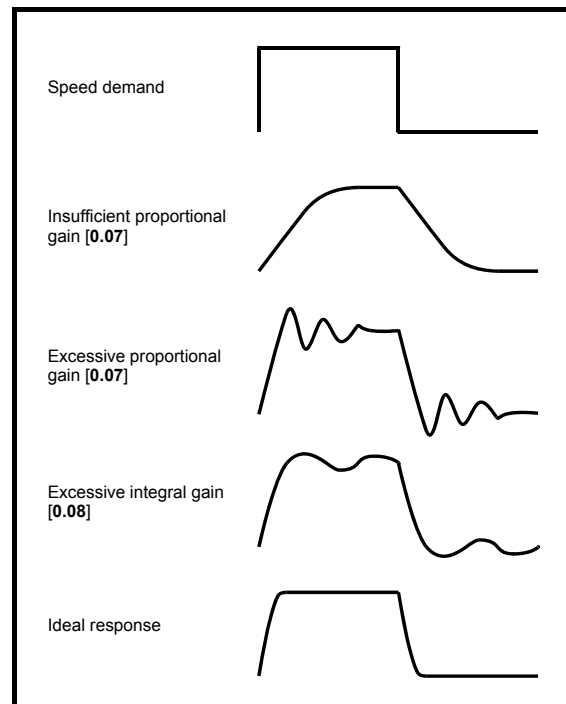
The integral gain is provided to prevent speed regulation. The error is accumulated over a period of time and used to produce the necessary torque demand without any speed error. Increasing the integral gain reduces the time taken for the speed to reach the correct level and increases the stiffness of the system, i.e. it reduces the positional displacement produced by applying a load torque to the motor. Unfortunately increasing the integral gain also reduces the system damping giving overshoot after a transient. For a given integral gain the damping can be improved by increasing the proportional gain. A compromise must be reached where the system response, stiffness and damping are all adequate for the application. For RFC mode, it is unlikely that the integral gain can be increased much above 0.50.

Differential gain (K_d), Pr 0.09 {3.12} and Pr 3.15

The differential gain is provided in the feedback of the speed controller to give additional damping. The differential term is implemented in a way that does not introduce excessive noise normally associated with this type of function. Increasing the differential term reduces the overshoot produced by under-damping, however, for most applications the proportional and integral gains alone are sufficient.

There are three methods of tuning the speed loop gains dependant on the setting of Pr 3.17:

1. Pr 3.17 = 0, User set-up.
This involves the connecting of an oscilloscope to analog output 1 to monitor the speed feedback.
Give the drive a step change in speed reference and monitor the response of the drive on the oscilloscope.
The proportional gain (K_p) should be set up initially. The value should be increased up to the point where the speed overshoots and then reduced slightly.
The integral gain (K_i) should then be increased up to the point where the speed becomes unstable and then reduced slightly.
It may now be possible to increase the proportional gain to a higher value and the process should be repeated until the system response matches the ideal response as shown.
The diagram shows the effect of incorrect P and I gain settings as well as the ideal response.
2. Pr 3.17 = 1, Bandwidth set-up
If bandwidth based set-up is required, the drive can calculate K_p and K_i if the following parameters are set up correctly:
Pr 3.20 - Required bandwidth,
Pr 3.21 - Required damping factor,
Pr 3.18 - Motor and load inertia. The drive can be made to measure the motor and load inertia by performing an inertia measurement autotune (see Autotune Pr 0.40, earlier in this table).
3. Pr 3.17 = 2, Compliance angle set-up
If compliance angle based set-up is required, the drive can calculate K_p and K_i if the following parameters are set up correctly:
Pr 3.19 - Required compliance angle,
Pr 3.21 - Required damping factor,
Pr 3.18 - Motor and load inertia. The drive can be made to measure the motor and load inertia by performing an inertia measurement autotune (see Autotune Pr 0.40, earlier in this table).



10.1.3 Closed loop vector motor control

Pr 0.46 {5.07} Motor rated current

Defines the maximum motor continuous current

The motor rated current parameter must be set to the maximum continuous current of the motor. (See section 10.2 *Maximum motor rated current* on page 146, for information about setting this parameter higher than the maximum Heavy Duty current rating.) The motor rated current is used in the following:

- Current limits (see section 10.3 *Current limits* on page 146, for more information)
- Motor thermal overload protection (see section 10.4 *Motor thermal protection* on page 146, for more information)
- Vector control algorithm

Pr 0.44 {5.09} Motor rated voltage

Defines the voltage applied to the motor at rated frequency

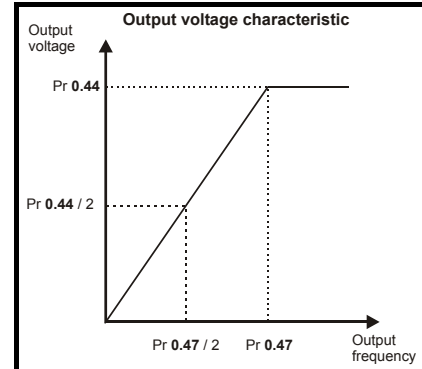
Pr 0.47 {5.06} Motor rated frequency

Defines the frequency at which rated voltage is applied

The motor rated voltage Pr **0.44** and the motor rated frequency Pr **0.47** are used to define the relationship between the voltage and frequency applied to the motor, as shown.

The motor rated voltage is used by the field controller to limit the voltage applied to the motor. Normally this is set to the nameplate value. To allow current control to be maintained, it is necessary for the drive to leave some 'headroom' between the motor terminal voltage and the maximum available drive output voltage. For good transient performance at high speed, the motor rated voltage should be set below 95% of the minimum supply voltage to the drive.

The motor rated voltage and motor rated frequency are also used during the rotating autotune test (see Autotune Pr **0.40** later in this table) and in the calculations required for automatic optimization of the motor rated speed (see Motor rated speed optimization Pr **5.16**, later in this table). Therefore, it is important that the correct value for motor rated voltage is used.



Pr 0.45 {5.08} Motor rated speed

Defines the full load rated speed of the motor

Pr 0.42 {5.11} Motor number of poles

Defines the number of motor poles

The motor rated speed and motor rated frequency are used to determine the full load slip of the motor which is used by the vector control algorithm. Incorrect setting of this parameter has the following effects:

- Reduced efficiency of motor operation
- Reduction of maximum torque available from the motor
- Reduced transient performance
- Inaccurate control of absolute torque in torque control modes

The nameplate value is normally the value for a hot motor; however, some adjustment may be required when the drive is commissioned if the nameplate value is inaccurate. Either a fixed value can be entered in this parameter or an optimization system may be used to automatically adjust this parameter (see Motor rated speed autotune Pr **5.16**, later in this table).

When Pr **0.42** is set to 'Auto', the number of motor poles is automatically calculated from the motor rated frequency Pr **0.47**, and the motor rated speed Pr **0.45**

$$\text{Number of poles} = 120 \times (\text{Motor rated frequency Pr } 0.47 / \text{Motor rated speed Pr } 0.45) \text{ rounded to the nearest even number}$$

Pr 0.43 {5.10} Motor rated power factor

Defines the angle between the motor voltage and current

The power factor is the true power factor of the motor, i.e. the angle between the motor voltage and current. If the stator inductance is set to zero (Pr **5.25**) then the power factor is used in conjunction with the motor rated current Pr **0.46** and other motor parameters to calculate the rated active and magnetising currents of the motor, which are used in the vector control algorithm. If the stator inductance has a non-zero value this parameter is not used by the drive, but is continuously written with a calculated value of power factor. The stator inductance can be measured by the drive by performing a rotating autotune (see Autotune Pr **0.40**, later in this table).

Pr 0.40 {5.12} Autotune

There are three autotune tests available in closed loop vector mode, a stationary test, a rotating test and an inertia measurement test. A stationary autotune will give moderate performance whereas a rotating autotune will give improved performance as it measures the actual values of the motor parameters required by the drive. An inertia measurement test should be performed separately to a stationary or rotating autotune.

- A stationary autotune can be used when the motor is loaded and it is not possible to remove the load from the motor shaft. The stationary autotune measures the stator resistance (Pr 5.17) and transient inductance (Pr 5.24) of the motor. These are used to calculate the current loop gains, and at the end of the test the values in Pr 4.13 and Pr 4.14 are updated. A stationary autotune does not measure the power factor of the motor so the value on the motor nameplate must be entered into Pr 0.43. To perform a Stationary autotune, set Pr 0.40 to 1, and provide the drive with both an enable signal (on terminal 31) and a run signal (on terminal 26 or 27).
- A rotating autotune should only be used if the motor is unloaded. A rotating autotune first performs a stationary autotune before rotating the motor at $\frac{2}{3}$ of motor rated frequency in the direction selected for approximately 30s. During the rotating autotune the stator inductance (Pr 5.25), and the motor saturation breakpoints (Pr 5.29 and Pr 5.30) are modified by the drive. The power factor is also modified for user information only, but is not used after this point as the stator inductance is used in the vector control algorithm instead. To perform a Rotating autotune, set Pr 0.40 to 2, and provide the drive with both an enable signal (on terminal 31) and a run signal (on terminal 26 or 27).
- The inertia measurement test can measure the total inertia of the load and the motor. This is used to set the speed loop gains (see *Speed loop gains*) and to provide torque feed-forwards when required during acceleration.

During the inertia measurement test the drive attempts to accelerate the motor in the direction selected up to $\frac{3}{4}$ x rated load rpm and then back to standstill. The drive uses rated torque/16, but if the motor cannot be accelerated to the required speed the drive then increases the torque progressively to $x\frac{1}{8}$, $x\frac{1}{4}$, $x\frac{1}{2}$ and $x1$ rated torque. If the required speed is not achieved on the final attempt the test is aborted and a tunE1 trip is initiated. If the test is successful the acceleration and deceleration times are used to calculate the motor and load inertia which is then written to Pr 3.18. The motor map parameters must be set up correctly including the power factor before performing an inertia measurement test.

To perform an Inertia measurement autotune, set Pr 0.40 to 3, and provide the drive with both an enable signal (on terminal 31) and a run signal (on terminal 26 or 27).

Following the completion of an autotune test the drive will go into the inhibit state. The drive must be placed into a controlled disable condition before the drive can be made to run at the required reference. The drive can be put in to a controlled disable condition by removing the SAFE TORQUE OFF (SECURE DISABLE) signal from terminal 31, setting the drive enable parameter Pr 6.15 to OFF (0) or disabling the drive via the control word (Pr 6.42 & Pr 6.43).

Pr 5.16 Motor rated speed autotune

The motor rated speed parameter (Pr 0.45) in conjunction with the motor rated frequency parameter (Pr 0.47) defines the full load slip of the motor. The slip is used in the motor model for closed-loop vector control. The full load slip of the motor varies with rotor resistance which can vary significantly with motor temperature. When Pr 5.16 is set to 1 or 2 the drive can automatically sense if the value of slip defined by Pr 0.47 and Pr 0.45 has been set incorrectly or if it has varied with motor temperature. If the value is incorrect Pr 0.45 is automatically adjusted. Pr 0.45 is not saved at power-down, and so when the drive is powered-down and up again it will return to the last saved value. If the new value is required at the next power-up it must be saved by the user. Automatic optimization is only enabled when the speed is above rated speed/8, and when the load on the motor load rises above $\frac{5}{8}$ rated load. Optimization is disabled again if the load falls below $\frac{1}{2}$ rated load. For best optimization results the correct values of stator resistance (Pr 5.17), transient inductance (Pr 5.24), stator inductance (Pr 5.25) and saturation breakpoints (Pr 5.29, Pr 5.30) should be stored in the relevant parameters (all these can be measured by the drive by performing a rotating autotune). Motor rated speed autotune is not available if the drive is not using external position/speed feedback.

The gain of the optimizer, and hence the speed with which it converges, can be set at a normal low level when Pr 5.16 is set to 1. If this parameter is set to 2, the gain is increased by a factor of 16 to give faster convergence.

Pr 0.38 {4.13} / Pr 0.39 {4.14} Current loop gains

The current loop gains proportional (Kp) and integral (Ki) gains control the response of the current loop to a change in current (torque) demand. The default values give satisfactory operation with most motors. However, for optimal performance in dynamic applications it may be necessary to change the gains to improve the performance. The proportional gain (Pr 4.13) is the most critical value in controlling the performance. The values for the current loop gains can be calculated by one of the following:

- During a stationary or rotating autotune (see *Autotune Pr 0.40*, earlier in this table) the drive measures the stator resistance (Pr 5.17) and transient inductance (Pr 5.24) of the motor and calculates the current loop gains.
- By setting Pr 0.40 to 4 the drive will calculate the current loop gains from the values of stator resistance (Pr 5.17) and transient inductance (Pr 5.24) set in the drive.

This will give a step response with minimum overshoot after a step change of current reference. The proportional gain can be increased by a factor of 1.5 giving a similar increase in bandwidth; however, this gives a step response with approximately 12.5% overshoot. The equation for the integral gain gives a conservative value. In some applications where it is necessary for the reference frame used by the drive to dynamically follow the flux very closely (i.e. high speed closed-loop induction motor applications) the integral gain may need to have a significantly higher value.

Speed loop gains (Pr 0.07 {3.10}, Pr 0.08 {3.11}, Pr 0.09 {3.12})

The speed loop gains control the response of the speed controller to a change in speed demand. The speed controller includes proportional (Kp) and integral (Ki) feed forward terms, and a differential (Kd) feedback term. The drive holds two sets of these gains and either set may be selected for use by the speed controller with Pr 3.16. If Pr 3.16 = 0, gains Kp1, Ki1 and Kd1 (Pr 0.07 to Pr 0.09) are used, and if Pr 3.16 = 1, gains Kp2, Ki2 and Kd2 (Pr 3.13 to Pr 3.15) are used. Pr 3.16 may be changed when the drive is enabled or disabled. If the load is predominantly a constant inertia and constant torque, the drive can calculate the required Kp and Ki gains to give a required compliance angle or bandwidth dependant on the setting of Pr 3.17.

Proportional gain (Kp), Pr 0.07 {3.10} and Pr 3.13

If the proportional gain has a value and the integral gain is set to zero the controller will only have a proportional term, and there must be a speed error to produce a torque reference. Therefore as the motor load increases there will be a difference between the reference and actual speeds. This effect, called regulation, depends on the level of the proportional gain, the higher the gain the smaller the speed error for a given load. If the proportional gain is too high either the acoustic noise produced by speed feedback quantization becomes unacceptable, or the closed-loop stability limit is reached.

Integral gain (Ki), Pr 0.08 {3.11} and Pr 3.14

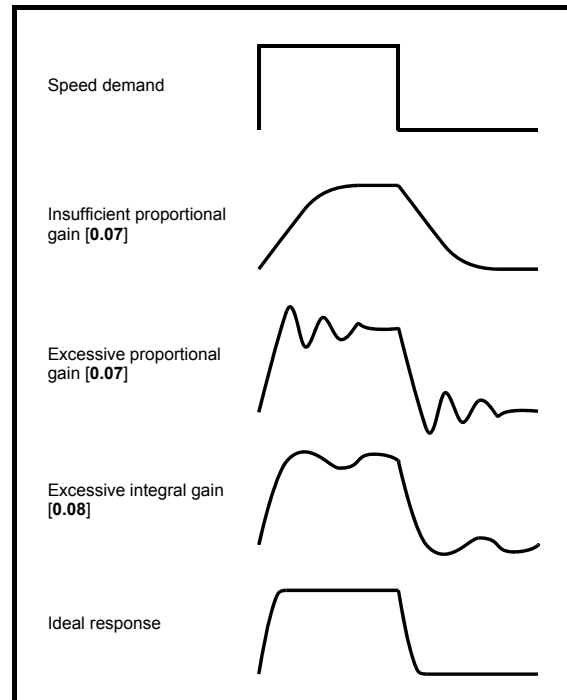
The integral gain is provided to prevent speed regulation. The error is accumulated over a period of time and used to produce the necessary torque demand without any speed error. Increasing the integral gain reduces the time taken for the speed to reach the correct level and increases the stiffness of the system, i.e. it reduces the positional displacement produced by applying a load torque to the motor. Unfortunately increasing the integral gain also reduces the system damping giving overshoot after a transient. For a given integral gain the damping can be improved by increasing the proportional gain. A compromise must be reached where the system response, stiffness and damping are all adequate for the application.

Differential gain (Kd), Pr 0.09 {3.12} and Pr 3.15

The differential gain is provided in the feedback of the speed controller to give additional damping. The differential term is implemented in a way that does not introduce excessive noise normally associated with this type of function. Increasing the differential term reduces the overshoot produced by under-damping, however, for most applications the proportional and integral gains alone are sufficient.

There are three methods of tuning the speed loop gains dependant on the setting of Pr 3.17:

- Pr 3.17 = 0, User set-up.
This involves the connecting of an oscilloscope to analog output 1 to monitor the speed feedback.
Give the drive a step change in speed reference and monitor the response of the drive on the oscilloscope.
The proportional gain (Kp) should be set up initially. The value should be increased up to the point where the speed overshoots and then reduced slightly.
The integral gain (Ki) should then be increased up to the point where the speed becomes unstable and then reduced slightly.
It may now be possible to increase the proportional gain to a higher value and the process should be repeated until the system response matches the ideal response as shown.
The diagram shows the effect of incorrect P and I gain settings as well as the ideal response.
- Pr 3.17 = 1, Bandwidth set-up
If bandwidth based set-up is required, the drive can calculate Kp and Ki if the following parameters are set up correctly:
Pr 3.20 - Required bandwidth,
Pr 3.21 - Required damping factor,
Pr 3.18 - Motor and load inertia. The drive can be made to measure the motor and load inertia by performing an inertia measurement autotune (see Autotune Pr 0.40, earlier in this table).
- Pr 3.17 = 2, Compliance angle set-up
If compliance angle based set-up is required, the drive can calculate Kp and Ki if the following parameters are set up correctly:
Pr 3.19 - Required compliance angle,
Pr 3.21 - Required damping factor,
Pr 3.18 - Motor and load inertia. The drive can be made to measure the motor and load inertia by performing an inertia measurement autotune (see Autotune Pr 0.40, earlier in this table).



10.1.4 Servo motor control

Pr 0.46 {5.07} Motor rated current	Defines the maximum motor continuous current
<p>The motor rated current parameter must be set to the maximum continuous current of the motor. The motor rated current is used in the following:</p> <ul style="list-style-type: none"> • Current limits (see section 10.3 <i>Current limits</i> on page 146, for more information) • Motor thermal overload protection (see section 10.4 <i>Motor thermal protection</i> on page 146, for more information) 	
Pr 0.42 {5.11} Motor number of poles	Defines the number of motor poles
<p>The motor number of poles parameter defines the number of electrical revolutions in one whole mechanical revolution of the motor. This parameter must be set correctly for the control algorithms to operate correctly. When Pr 0.42 is set to "Auto" the number of poles is 6.</p>	
Pr 0.40 {5.12} Autotune	
<p>There are five autotune tests available in servo mode, a short low speed test, a normal low speed test, an inertia measurement test, a stationary test to set up current controller gains and a minimal movement phasing test. A normal low speed should be done where possible as the drive measures the stator resistance and inductance of the motor, and from these calculates the current loop gains. An inertia measurement test should be performed separately to a short low speed or normal low speed autotune.</p> <ul style="list-style-type: none"> • A short low speed test will rotate the motor by 2 electrical revolutions (i.e. up to 2 mechanical revolutions) in the direction selected. The drive applies rated current to the motor during the test and measures the encoder phase angle (Pr 3.25). The phase angle measurement is taken when the motor has stopped at the end of the test, therefore there must be no load on the motor when it is at rest for the correct angle to be measured. This test takes approximately 2 seconds to complete and can only be used where the rotor settles to a stable position in a short time. To perform a short low speed autotune, set Pr 0.40 to 1, and provide the drive with both an enable signal (on terminal 31) and a run signal (on terminal 26 or 27). • A normal low speed test will rotate the motor by 2 electrical revolutions (i.e. up to 2 mechanical revolutions) in the direction selected. The drive applies rated current to the motor during the test and measures the encoder phase angle (Pr 3.25). The phase angle measurement is taken when the motor has stopped at the end of the test, therefore there must be no load on the motor when it is at rest for the correct angle to be measured. The motor resistance (Pr 5.17) and inductance (Pr 5.24) are then measured, and the values are used to set up the current loop gains (Pr 0.38 {4.13} and Pr 0.39 {4.14}). The whole test takes approximately 20 seconds and can be used with motors that take time to settle after the rotor has moved. During the motor inductance measurement the drive applies current pulses to the motor that produces flux that opposes the flux produced by the magnets. The maximum current applied is a quarter of rated current (Pr 0.46). This current is unlikely to affect the motor magnets, however, if this level of current could permanently de-magnetise the magnets the rated current should be set to a lower level for the tests to avoid this. To perform a normal low speed autotune, set Pr 0.40 to 2, and provide the drive with both an enable signal (on terminal 31) and a run signal (on terminal 26 or 27). <div style="text-align: center;">  </div> <ul style="list-style-type: none"> • The inertia measurement test can measure the total inertia of the load and the motor. This is used to set the speed loop gains (see <i>Speed loop gains</i>) and to provide torque feed-forwards when required during acceleration. During the inertia measurement test the drive attempts to accelerate the motor in the direction selected up to $\frac{3}{4}$ x rated load rpm and then back to standstill. The drive uses rated torque/16, but if the motor cannot be accelerated to the required speed the drive then increases the torque progressively to $\frac{1}{8}$, $\frac{1}{4}$, $\frac{1}{2}$ and x1 rated torque. If the required speed is not achieved on the final attempt the test is aborted and a tunE1 trip is initiated. If the test is successful the acceleration and deceleration times are used to calculate the motor and load inertia which is then written to Pr 3.18. The value of the value of motor torque per amp in Pr 5.32 and the motor rated speed in Pr 5.08 must be set up correctly before performing an inertia measurement test. To perform an Inertia measurement autotune, set Pr 0.40 to 3, and provide the drive with both an enable signal (on terminal 31) and a run signal (on terminal 26 or 27). • The stationary test to set up current controller gains measures the stator resistance and the transient inductance of the motor, calculates the current loop gains and updates the current loop gain parameters. This test does not measure the encoder phase angle. This test should only be performed when the correct phasing angle has been set in Pr 0.43. If the phasing angle is not correct the motor may move and the results may be incorrect. To perform a stationary test to set up current controller gains, set Pr 0.40 to 4, and provide the drive with both an enable signal (on terminal 31) and a run signal (on terminal 26 or 27). • A minimal movement phasing test can measure the encoder phase offset by moving the motor through a small angle. Short current pulses are applied to the motor to produce a small movement and then to move the motor back to the original position. The size and length of the pulses are gradually increased (up to a maximum of motor rated current) until the movement is approximately at the level defined by Pr 5.38 electrical degrees. The resulting movements are used to estimate the phase angle. To perform a minimal movement phasing test, set Pr 0.40 to 5, and provide the drive with both an enable signal (on terminal 31) and a run signal (on terminal 26 or 27). <p>Following the completion of an autotune test the drive will go into the inhibit state. The drive must be placed into a controlled disable condition before the drive can be made to run at the required reference. The drive can be put in to a controlled disable condition by removing the SAFE TORQUE OFF (SECURE DISABLE) signal from terminal 31, setting the drive enable parameter Pr 6.15 to OFF (0) or disabling the drive via the control word (Pr 6.42 & Pr 6.43).</p>	
Current loop gains (Pr 0.38 {4.13} / Pr 0.39 {4.14})	
<p>The current loop gains proportional (Kp) and integral (Ki) gains control the response of the current loop to a change in current (torque) demand. The default values give satisfactory operation with most motors. However, for optimal performance in dynamic applications it may be necessary to change the gains to improve the performance. The proportional gain (Pr 4.13) is the most critical value in controlling the performance. The values for the current loop gains can be calculated by one of the following:</p> <ul style="list-style-type: none"> • During a stationary or rotating autotune (see <i>Autotune Pr 0.40</i>, earlier in this table) the drive measures the stator resistance (Pr 5.17) and transient inductance (Pr 5.24) of the motor and calculates the current loop gains. • By setting Pr 0.40 to 6 the drive will calculate the current loop gains from the values of stator resistance (Pr 5.17) and transient inductance (Pr 5.24) set in the drive. <p>This will give a step response with minimum overshoot after a step change of current reference. The proportional gain can be increased by a factor of 1.5 giving a similar increase in bandwidth; however, this gives a step response with approximately 12.5% overshoot. The equation for the integral gain gives a conservative value. In some applications where it is necessary for the reference frame used by the drive to dynamically follow the flux very closely (i.e. high speed closed-loop induction motor applications) the integral gain may need to have a significantly higher value.</p>	

Speed loop gains (Pr 0.07 {3.10}, Pr 0.08 {3.11}, Pr 0.09 {3.12})

The speed loop gains control the response of the speed controller to a change in speed demand. The speed controller includes proportional (K_p) and integral (K_i) feed forward terms, and a differential (K_d) feedback term. The drive holds two sets of these gains and either set may be selected for use by the speed controller with Pr 3.16. If Pr 3.16 = 0, gains K_{p1} , K_{i1} and K_{d1} (Pr 0.07 to Pr 0.09) are used, and if Pr 3.16 = 1, gains K_{p2} , K_{i2} and K_{d2} (Pr 3.13 to Pr 3.15) are used. Pr 3.16 may be changed when the drive is enabled or disabled. If the load is predominantly a constant inertia and constant torque, the drive can calculate the required K_p and K_i gains to give a required compliance angle or bandwidth dependant on the setting of Pr 3.17.

Proportional gain (K_p), Pr 0.07 {3.10} and Pr 3.13

If the proportional gain has a value and the integral gain is set to zero the controller will only have a proportional term, and there must be a speed error to produce a torque reference. Therefore as the motor load increases there will be a difference between the reference and actual speeds. This effect, called regulation, depends on the level of the proportional gain, the higher the gain the smaller the speed error for a given load. If the proportional gain is too high either the acoustic noise produced by speed feedback quantization becomes unacceptable, or the closed-loop stability limit is reached.

Integral gain (K_i), Pr 0.08 {3.11} and Pr 3.14

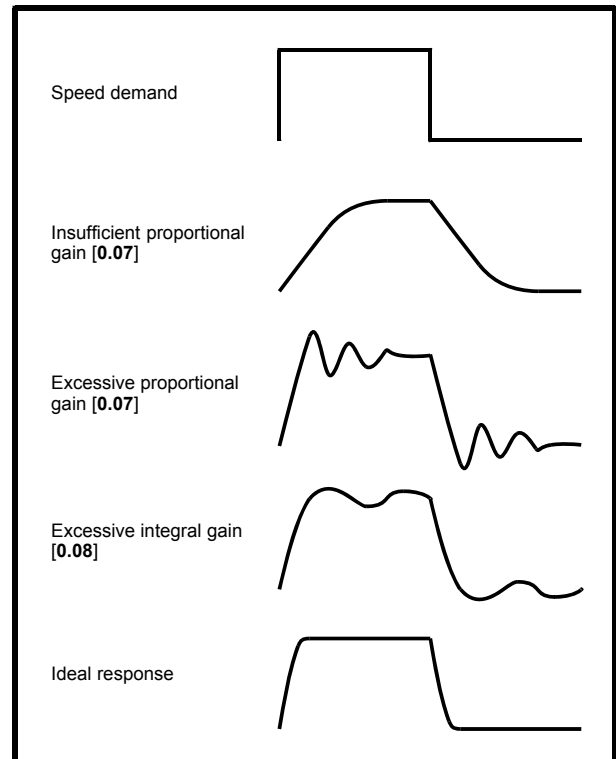
The integral gain is provided to prevent speed regulation. The error is accumulated over a period of time and used to produce the necessary torque demand without any speed error. Increasing the integral gain reduces the time taken for the speed to reach the correct level and increases the stiffness of the system, i.e. it reduces the positional displacement produced by applying a load torque to the motor. Unfortunately increasing the integral gain also reduces the system damping giving overshoot after a transient. For a given integral gain the damping can be improved by increasing the proportional gain. A compromise must be reached where the system response, stiffness and damping are all adequate for the application.

Differential gain (K_d), Pr 0.09 {3.12} and Pr 3.15

The differential gain is provided in the feedback of the speed controller to give additional damping. The differential term is implemented in a way that does not introduce excessive noise normally associated with this type of function. Increasing the differential term reduces the overshoot produced by under-damping, however, for most applications the proportional and integral gains alone are sufficient.

There are three methods of tuning the speed loop gains dependant on the setting of Pr 3.17:

- Pr 3.17 = 0, User set-up.
This involves the connecting of an oscilloscope to analog output 1 to monitor the speed feedback.
Give the drive a step change in speed reference and monitor the response of the drive on the oscilloscope.
The proportional gain (K_p) should be set up initially. The value should be increased up to the point where the speed overshoots and then reduced slightly.
The integral gain (K_i) should then be increased up to the point where the speed becomes unstable and then reduced slightly.
It may now be possible to increase the proportional gain to a higher value and the process should be repeated until the system response matches the ideal response as shown.
The diagram shows the effect of incorrect P and I gain settings as well as the ideal response.
- Pr 3.17 = 1, Bandwidth set-up
If bandwidth based set-up is required, the drive can calculate K_p and K_i if the following parameters are set up correctly:
Pr 3.20 - Required bandwidth,
Pr 3.21 - Required damping factor,
Pr 5.32 - Motor torque per amp (K_t).
Pr 3.18 - Motor and load inertia. The drive can be made to measure the motor and load inertia by performing an inertia measurement autotune (see Autotune Pr 0.40, earlier in this table).
- Pr 3.17 = 2, Compliance angle set-up
If compliance angle based set-up is required, the drive can calculate K_p and K_i if the following parameters are set up correctly:
Pr 3.19 - Required compliance angle,
Pr 3.21 - Required damping factor,
Pr 5.32 - Motor torque per amp (K_t).
Pr 3.18 - Motor and load inertia The drive can be made to measure the motor and load inertia by performing an inertia measurement autotune (see Autotune Pr 0.40, earlier in this table).



10.2 Maximum motor rated current

The maximum motor rated current allowed by the drive is greater than the maximum Heavy Duty current rating in Pr 11.32. The ratio between the Normal Duty rating and the Heavy Duty rating (Pr 11.32) varies between drive sizes. The values for the Normal and Heavy Duty rating can be found in section 3.2 *Operating modes* on page 17.

If the motor rated current (Pr 0.46) is set above the maximum Heavy Duty current rating (Pr 11.32), the current limits and the motor thermal protection scheme are modified (see section 10.3 *Current limits* and section 10.4 *Motor thermal protection*, for more information).

10.3 Current limits

The default settings for the current limit parameters for Unidrive SPMA/D are:

- 138.1% x motor rated current for open loop mode
- 165.7% x motor rated current for closed loop vector mode
- 150% x motor rated current for servo mode

There are three parameters which control the current limits:

- Motoring current limit: power flowing from the drive to the motor
- Regen current limit: power flowing from the motor to the drive
- Symmetrical current limit: current limit for both motoring and regen operation

The lowest of either the motoring and regen current limit, or the symmetrical current limit applies.

The maximum setting of these parameters depends on the values of motor rated current, drive rated current and the power factor.

Increasing the motor rated current (Pr 0.46/5.07) above the Heavy Duty rating (default value), will automatically reduce the current limits in Pr 4.05 to Pr 4.07. If the motor rated current is then set to or below the Heavy Duty rating, the current limits will be left at their reduced values.

The drive can be oversized to permit a higher current limit setting to provide higher accelerating torque as required up to a maximum of 1000%.

10.4 Motor thermal protection

The drive models the temperature of the motor using the motor rated current (Pr 5.07), the thermal time constant (Pr 4.15), whether low speed thermal protection mode has been enabled (Pr 4.25) and the actual current flowing at any point in time. Pr 4.19 gives the estimated motor temperature as a percentage of maximum temperature.

The temperature of the motor (Pr 4.19) as a percentage of maximum temperature, with a constant current magnitude of I , constant value of K and constant value of Motor rated current (Pr 5.07) after time t is given by:

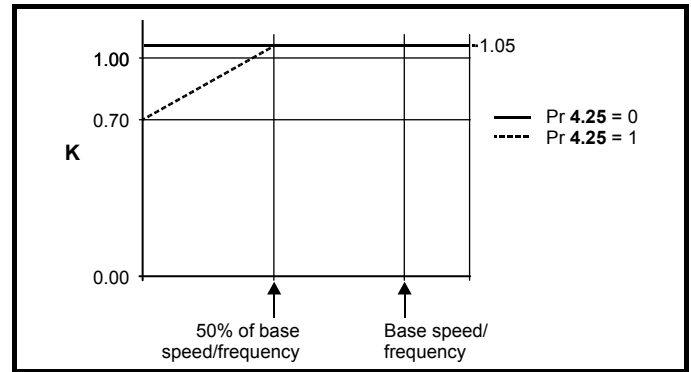
$$\text{Percentage motor temperature (Pr 4.19)} = \left[\frac{I^2}{(K \times \text{Motor rated current})^2} \right] (1 - e^{-t/\tau}) \times 100\%$$

This assumes that the maximum allowed motor temperature is produced by $K \times \text{Motor rated current}$ and that τ is the thermal time constant of the point in the motor that reaches its maximum allowed temperature first. τ is defined by Pr 4.15. If Pr 4.15 has a value between 0.0 and 1.0 the thermal time constant is taken as 1.0.

The value of K is defined as shown in Figure 10-1 and Figure 10-2.

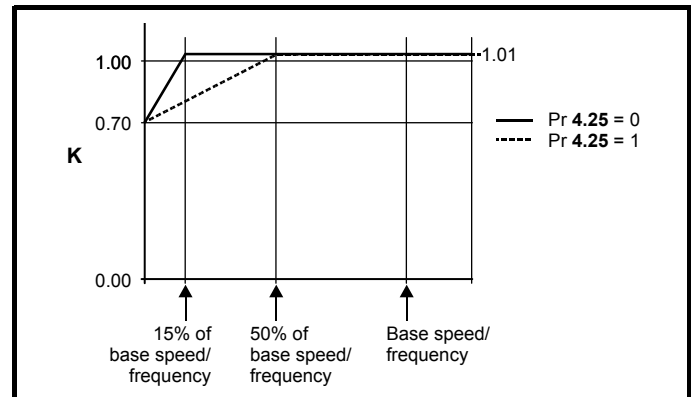
For both Heavy and Normal duty ratings, Pr 4.25 can be used to select two alternative protection characteristics.

Figure 10-1 Motor thermal protection (Heavy Duty)



If Pr 4.25 is 0 the characteristic is for a motor which can operate at rated current over the whole speed range. Induction motors with this type of characteristic normally have forced cooling. If Pr 4.25 is 1 the characteristic is intended for motors where the cooling effect of motor fan reduces with reduced motor speed below 50% of base speed/frequency. The maximum value for K is 1.05, so that above the knee of the characteristics the motor can operate continuously up to 105% current.

Figure 10-2 Motor thermal protection (Normal Duty)



Both settings of Pr 4.25 are intended for motors where the cooling effect of the motor fan reduces with reduced motor speed, but with different speeds below which the cooling effect is reduced. If Pr 4.25 is 0 the characteristic is intended for motors where the cooling effect reduces with motor speed below 15% of base speed/frequency. If Pr 4.25 is 1 the characteristic is intended for motors where the cooling effect reduces with motor speed below 50% of base speed/frequency. The maximum value for K is 1.01, so that above the knee of the characteristics the motor can operate continuously up to 101% current.

When the estimated temperature in Pr 4.19 reaches 100% the drive takes some action depending on the setting of Pr 4.16. If Pr 4.16 is 0, the drive trips when Pr 4.19 reaches 100%. If Pr 4.16 is 1, the current limit is reduced to $(K - 0.05) \times 100\%$ when Pr 4.19 reaches 100%. The current limit is set back to the user defined level when Pr 4.19 falls below 95%. The thermal model temperature accumulator is reset to zero at power-up and accumulates the temperature of the motor while the drive remains powered-up. If the rated current defined by Pr 5.07 is altered, the accumulator is reset to zero.

The default setting of the thermal time constant (Pr 4.15) is 89s for an induction motor (open loop and closed loop vector), which is equivalent to an overload of 150% for 60s from cold. The default value for a servo motor is 20s, which is equivalent to an overload of 175% for 9s from cold.

The time for the drive to trip from cold with constant motor current is given by:

$$T_{\text{trip}} = -(\text{Pr 4.15}) \times \ln(1 - (K \times \text{Pr 5.07} / \text{Pr 4.01})^2)$$

Alternatively the thermal time constant can be calculated from the trip time with a given current from:

$$Pr\ 4.15 = -T_{trip} / \ln(1 - (K / \text{Overload})^2)$$

The maximum value for the thermal time constant can be increased up to a maximum value of 3000s to allow an increased overload if the motor thermal characteristics permit.

For applications using CT Dynamics Unimotors the thermal time constants can be found in the Unimotor manual.

10.5 Switching frequency

The default switching frequency is 3kHz (6kHz in Servo mode), however this can be increased up to a maximum of 16kHz by Pr 5.18 (dependent on drive size). The available switching frequencies are shown below.

Table 10-1 Available switching frequencies

Drive size	Voltage rating	3kHz	4kHz	6kHz
SPMA and SPMD	All	✓	✓	✓

If switching frequency is increased from 3kHz the following apply:

1. Increased heat loss in the drive, which means that derating to the output current must be applied.
See the derating tables for switching frequency and ambient temperature in section 14.1.1 *Power and current ratings (Derating for switching frequency and temperature)* on page 263.
2. Reduced heating of the motor - due to improved output waveform quality.
3. Reduced acoustic noise generated by the motor.
4. Increased sample rate on the speed and current controllers. A trade off must be made between motor heating, drive heating and the demands of the application with respect to the sample time required.

Table 10-2 Sample rates for various control tasks at each switching frequency

	3, 6, 12 kHz	4, 8, 16 kHz	Open loop	Closed loop vector and Servo
Level 1	3kHz = 167µs 6kHz = 83µs 12kHz = 83µs	125µs	Peak limit	Current controllers
Level 2	250µs		Current limit and ramps	Speed controller and ramps
Level 3	1ms		Voltage controller	
Level 4	4ms		Time critical user interface	
Background			Non-time critical user interface	

10.6 High speed operation

10.6.1 Encoder feedback limits

The maximum encoder frequency should be prevented from exceeding 500kHz (or 410kHz for software V01.06.00 and earlier). In closed loop and servo modes the maximum speed that can be entered in to the speed reference clamps (Pr 1.06 and Pr 1.07) can be limited by the drive. This is defined by the following (subject to an absolute maximum of 40,000rpm):

$$\begin{aligned} \text{Maximum speed limit (rpm)} &= \frac{500\text{kHz} \times 60}{\text{ELPR}} \\ &= \frac{3.0 \times 10^7}{\text{ELPR}} \end{aligned}$$

Where:

ELPR is the equivalent encoder lines per revolution and is the number of lines that would be produced by a quadrature encoder.

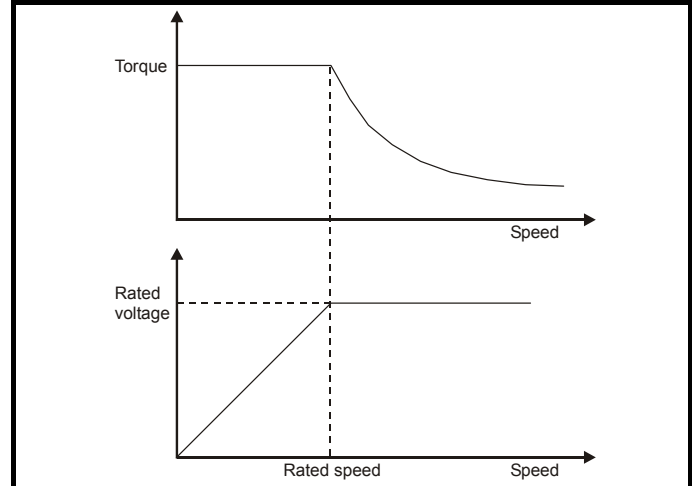
- Quadrature encoder ELPR = number of lines per revolution
- F and D encoder ELPR = number of lines per revolution / 2
- SINCOS encoder ELPR = number of sine waves per revolution

This maximum speed limit is defined by the device selected with the speed feedback selector (Pr 3.26), and the ELPR set for the position feedback device. In closed-loop vector mode it is possible to disable this limit via Pr 3.24, so that the drive can be switched between operation with and without feedback when the speed becomes too high for the feedback device. The maximum speed limit is defined as above when Pr 3.24 = 0 or 1, and is 40,000rpm when Pr 3.24 = 2 or 3.

10.6.2 Field weakening (constant power) operation (Open loop and closed loop vector mode only)

The drive can be used to run an induction machine above synchronous speed into the constant power region. The speed continues to increase and the available shaft torque reduces. The characteristics below show the torque and output voltage characteristics as the speed is increased above the rated value.

Figure 10-3 Torque and rated voltage against speed



Care must be taken to ensure the torque available above base speed is sufficient for the application to run satisfactorily.

The saturation breakpoint parameters (Pr 5.29 and Pr 5.30) found during the autotune in closed loop vector mode ensure the magnetising current is reduced in the correct proportion for the specific motor. (In open loop mode the magnetising current is not actively controlled.)

10.6.3 Servo high speed operation

High speed servo mode is enabled by setting Pr 5.22 = 1. Care must be taken when using this mode with servo motors to avoid damaging the drive. The voltage produced by the servo motor magnets is proportional to speed. For high speed operation the drive must apply currents to the motor to counter-act the flux produced by the magnets. It is possible to operate the motor at very high speeds that would give a very high motor terminal voltage, but this voltage is prevented by the action of the drive. If however, the drive is disabled (or tripped) when the motor voltages would be higher than the rating of the drive without the currents to counter-act the flux from the magnets, it is possible to damage the drive. If high speed mode is enabled the motor speed must be limited to the levels given in the table below unless an additional hardware protection system is used to limit the voltages applied to the drive output terminals to a safe level.

Drive voltage rating	Maximum motor speed (rpm)	Maximum safe line to line voltage at the motor terminals (V rms)
200	400 x 1000 / (Ke x √2)	400 / √2
400	800 x 1000 / (Ke x √2)	800 / √2
690	1145 x 1000 / (Ke x √2)	1145 / √2

Ke is the ratio between r.m.s. line to line voltage produced by the motor and the speed in V/1000rpm. Care must also be taken not to demagnetize the motor. The motor manufacturer should always be consulted before using this mode.

10.6.4 Switching frequency

With a default switching frequency of 3 kHz the maximum output frequency should be limited to 250 Hz. Ideally a minimum ratio of 12:1 should be maintained between the output frequency and the switching frequency. This ensures the number of switchings per cycle is sufficient to ensure the output waveform quality is maintained at a minimum level. If this is not possible, quasi-square switching should be enabled (Pr 5.20 =1). The output waveform will be quasi square above base speed ensuring a symmetrical output waveform, which results in a better quality output than would otherwise result.

10.6.5 Maximum speed / frequency

In open loop mode the maximum frequency is 3,000 Hz.

In closed loop vector mode the maximum output frequency is 600 Hz.

In servo mode the maximum output frequency is 1250Hz, however the speed is limited by the voltage constant (Ke) of the motor. Ke is a specific constant for the servo motor being used. It can normally be found on the motor data sheet in V/krpm (volts per 1,000rpm).

10.6.6 Quasi-Square wave (open-loop only)

The maximum output voltage level of the drive is normally limited to an equivalent of the drive input voltage minus voltage drops within the drive (the drive will also retain a few percent of the voltage in order to maintain current control). If the motor rated voltage is set at the same level as the supply voltage, some pulse deletion will occur as the drive output voltage approaches the rated voltage level. If Pr 5.20 (Quasi-square wave enable) is set to 1 the modulator will allow over modulation, so that as the output frequency increases beyond the rated frequency the voltage continues to increase above the rated voltage. The modulation depth will increase beyond unity; first producing trapezoidal and then quasi-square waveforms.

This can be used for example:

- To obtain high output frequencies with a low switching frequency which would not be possible with space vector modulation limited to unity modulation depth,

or

- In order to maintain a higher output voltage with a low supply voltage.

The disadvantage is that the machine current will be distorted as the modulation depth increases above unity, and will contain a significant amount of low order odd harmonics of the fundamental output frequency. The additional low order harmonics cause increased losses and heating in the motor.

11 SMARTCARD operation

11.1 Introduction

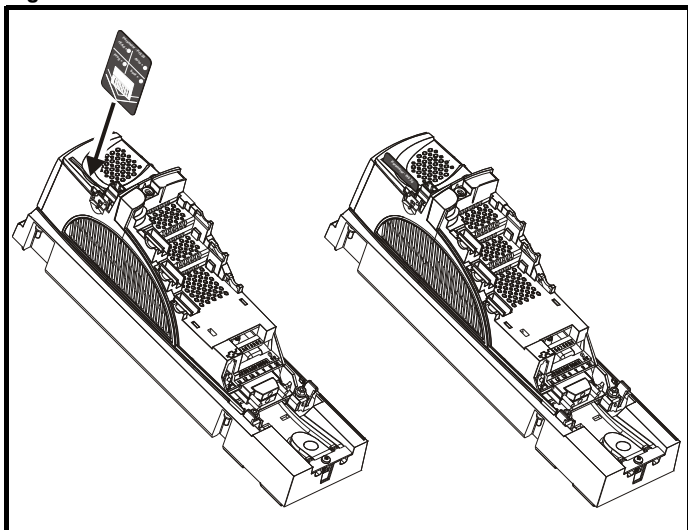
This is a standard feature that enables simple configuration of parameters in a variety of ways. The SMARTCARD can be used for:

- Parameter copying between drives
- Saving whole drive parameter sets
- Saving 'differences from default' parameter sets
- Storing Onboard PLC programs
- Automatically saving all user parameter changes for maintenance purposes
- Loading complete motor map parameters

The SMARTCARD is located at the top of the module under the drive display (if installed) on the left-hand side. Ensure the SMARTCARD is inserted with the SP1-9 arrow pointing upwards.

The drive only communicates with the SMARTCARD when commanded to read or write, meaning the card may be "hot swapped".

Figure 11-1 Installation of the SMARTCARD



Encoder phase angle (servo mode only)

With drive software version V01.08.00 onwards, the encoder phase angles in Pr 3.25 and Pr 21.20 are copied to the SMARTCARD when using any of the SMARTCARD transfer methods.

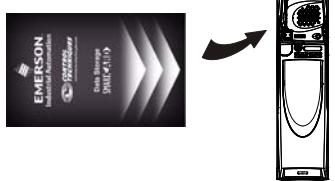





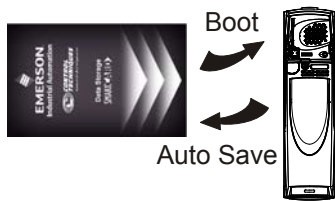

With drive software version V01.05.00 to V01.07.01, the encoder phase angles in Pr 3.25 and Pr 21.20 are only copied to the SMARTCARD when using either Pr 0.30 set to Prog (2) or Pr xx.00 set to 3yyy.

This is useful when the SMARTCARD is used to back-up the parameter set of a drive but caution should be used if the SMARTCARD is used to transfer parameter sets between drives. Unless the encoder phase angle of the servo motor connected to the destination drive is known to be the same as the servo motor connected to the source drive, an autotune should be performed or the encoder phase angle should be entered manually into Pr 3.25 (or Pr 21.20). If the encoder phase angle is incorrect the drive may lose control of the motor resulting in an O.SPd or Enc10 trip when the drive is enabled.

With drive software version V01.04.00 and earlier, or when using software version V01.05.00 to V01.07.01 and Pr xx.00 set to 4yyy is used, then the encoder phase angles in Pr 3.25 and Pr 21.20 are not copied to the SMARTCARD. Therefore, Pr 3.25 and Pr 21.20 in the destination would not be changed during a transfer of this data block from the SMARTCARD.

Easy saving and reading

Figure 11-2 Basic SMARTCARD operation

<p>Drive reads all parameters from the SMARTCARD</p>  <p>Pr 0.30 = rEAd + </p>	<p>Programs all drive parameters to the SMARTCARD</p>  <p>NOTE Overwrites any data already in data block 1</p> <p>Pr 0.30 = Prog + </p>
<p>Drive automatically writes to the SMARTCARD when a parameter save is performed</p>  <p>Auto Save</p> <p>Pr 0.30 = Auto + </p>	<p>Drive boots from the SMARTCARD on power up and automatically writes to the SMARTCARD when a parameter save is performed</p>  <p>Boot</p> <p>Auto Save</p> <p>Pr 0.30 = boot + </p>

The SMARTCARD has 999 individual data block locations. Each individual location from 1 to 499 can be used to store data until the capacity of the SMARTCARD is used. With software V01.07.00 and later the drive can support SMARTCARDS with a capacity of between 4kB and 512kB. With software V01.06.02 and earlier the drive can support SMARTCARDS with a capacity of 4kB.

The data block locations of the SMARTCARD are arranged to have the following usage:

Table 11-1 SMARTCARD data blocks

Data Block	Type	Example Use
1 to 499	Read / Write	Application set ups
500 to 999	Read Only	Macros

'Differences from default' parameter sets will be much smaller than whole parameter sets and thus take up a lot less memory as most applications only require a few parameters to be changed from the default setting.

The whole card may be protected from writing or erasing by setting the read-only flag as detailed section 11.2.9 9888 / 9777 - *Setting and clearing the SMARTCARD read only flag* on page 151.

Data transfer to or from the SMARTCARD is indicated by one the following:

- SM-Keypad: The decimal point after the fourth digit in the upper display will flash.
- SM-Keypad Plus: The symbol 'CC' will appear in the lower left hand corner of the display

The card should not be removed during data transfer, as the drive will produce a trip. If this occurs then either the transfer should be reattempted or in the case of a card to drive transfer, default parameters should be loaded.

11.2 Transferring data

Data transfer, erasing and protecting the information is performed by entering a code in Pr **xx.00** and then resetting the drive as shown in Table 11-2.

Table 11-2 SMARTCARD codes

Code	Action
2001	Transfer drive parameters as difference from defaults to a bootable SMARTCARD block in data block number 001
3yyy	Transfer drive parameters to a SMARTCARD block number yyy
4yyy	Transfer drive data as difference from defaults to SMARTCARD block number yyy
5yyy	Transfer drive Onboard PLC program to SMARTCARD block number yyy
6yyy	Transfer SMARTCARD data block yyy to the drive
7yyy	Erase SMARTCARD data block yyy
8yyy	Compare drive parameters with block yyy
9555	Clear SMARTCARD warning suppression flag (V01.07.00 and later)
9666	Set SMARTCARD warning suppression flag (V01.07.00 and later)
9777	Clear SMARTCARD read-only flag
9888	Set SMARTCARD read-only flag
9999	Erase SMARTCARD

Where yyy indicates the block number 001 to 999. See Table 11-1 for restrictions on block numbers.

NOTE

If the read only flag is set then only codes 6yyy or 9777 are effective.

11.2.1 Writing to the SMARTCARD

3yyy - Transfer data to the SMARTCARD

The data block contains the complete parameter data from the drive, i.e. all user save (US) parameters except parameters with the NC coding bit set. Power-down save (PS) parameters are not transferred to the SMARTCARD.

With software V01.06.02 and earlier, a save must have been performed on the drive to transfer the parameters from the drive RAM to the EEPROM before the transfer to the SMARTCARD is carried out.

4yyy - Write default differences to a SMARTCARD

The data block only contains the parameter differences from the last time default settings were loaded.

Six bytes are required for each parameter difference. The data density is not as high as when using the 3yyy transfer method as described in the previous section, but in most cases the number of differences from default is small and the data blocks are therefore smaller. This method can be used for creating drive macros. Power-down save (PS) parameters are not transferred to the SMARTCARD.

The data block format is different depending on the software version. The data block holds the following parameters:

Software V01.06.02 and earlier

All user save (US) parameters, except those with the NC (Not copied) coding bit set or those that do not have a default value, can be transferred to the SMARTCARD.

Software V01.07.xx

All user save (US) parameters, except those with the NC (Not copied) coding bit set or those that do not have a default value, can be transferred to the SMARTCARD. In addition to these parameters all menu 20 parameters (except Pr **20.00**), can be transferred to the SMARTCARD even though they are not user save parameters and have the NC coding bit set.

Software V01.08.00 onwards

All user save (US) parameters including those that do not have a default value (i.e. Pr **3.25** or Pr **21.20 Encoder phase angle**), but not including those with the NC (Not copied) coding bit set can be transferred to the SMARTCARD. In addition to these parameters all menu 20 parameters (except Pr **20.00**), can be transferred to the SMARTCARD even though they are not user save parameters and have the NC coding bit set.

It is possible to transfer parameters between drives with each of the different formats, however, the data block compare function does not work with data produced by different formats.

Writing a parameter set to the SMARTCARD (Pr 11.42 = Prog (2))

Setting Pr **11.42** to Prog (2) and resetting the drive will save the parameters to the SMARTCARD, i.e. this is equivalent to writing 3001 to Pr **xx.00**. All SMARTCARD trips apply except 'C.Chg'. If the data block already exists it is automatically overwritten. When the action is complete this parameter is automatically reset to nonE (0).

11.2.2 Reading from the SMARTCARD

6yyy - Read default differences from a SMARTCARD

When the data is transferred back to a drive, using 6yyy in Pr **xx.00**, it is transferred to the drive RAM and the drive EEPROM. A parameter save is not required to retain the data after power-down. Set up data for any Solutions Modules installed are stored on the card and are transferred to the destination drive. If the Solutions Modules are different between the source and destination drive, the menus for the slots where the Solutions Module categories are different are not updated from the card and will contain their default values after the copying action. The drive will produce a 'C.Optn' trip if the Solutions Modules installed to the source and destination drive are different or are in different slots. If the data is being transferred to a drive of a different voltage or current rating a 'C.rtg' trip will occur.

The following drive rating dependant parameters (RA coding bit set) will not be transferred to the destination drive by a SMARTCARD when the rating of the destination drive is different from the source drive and the file is a parameter file (i.e. created using the 3yyy transfer method).

However, with software V01.09.00 and later drive rating dependent parameters will be transferred if only the current rating is different and the file is a differences from default type file (i.e. created using the 4yyy transfer method). If drive rating dependant parameters are not transferred to the destination drive they will contain their default values.

- Pr 2.08 *Standard ramp voltage*
- Pr 4.05 to Pr 4.07 and Pr 21.27 to Pr 21.29 *Current limits*
- Pr 4.24, *User current maximum scaling*
- Pr 5.07, Pr 21.07 *Motor rated current*
- Pr 5.09, Pr 21.09 *Motor rated voltage*
- Pr 5.10, Pr 21.10 *Rated power factor*
- Pr 5.17, Pr 21.12 *Stator resistance*
- Pr 5.18 *Switching frequency*
- Pr 5.23, Pr 21.13 *Voltage offset*
- Pr 5.24, Pr 21.14 *Transient inductance*
- Pr 5.25, Pr 21.24 *Stator inductance*
- Pr 6.06 *DC injection braking current*
- Pr 6.48 *Line power supply loss ride through detection level*

Reading a parameter set from the SMARTCARD (Pr 11.42 = rEAd (1))

Setting Pr 11.42 to rEAd (1) and resetting the drive will transfer the parameters from the card into the drive parameter set and the drive EEPROM, i.e. this is equivalent to writing 6001 to Pr xx.00. All SMARTCARD trips apply. Once the parameters are successfully copied this parameter is automatically reset to nonE (0). Parameters are saved to the drive EEPROM after this action is complete.

NOTE

This operation is only performed if data block 1 on the card is a full parameter set (3yyy transfer) and not a default difference file (4yyy transfer). If block 1 does not exist a 'C.dAt' trip occurs.

11.2.3 Auto saving parameter changes (Pr 11.42 = Auto (3))

This setting causes the drive to automatically save any changes made to menu 0 parameters on the drive to the SMARTCARD. The latest menu 0 parameter set in the drive is therefore always backed up on the SMARTCARD. Changing Pr 11.42 to Auto (3) and resetting the drive will immediately save the complete parameter set from the drive to the card, i.e. all user save (US) parameters except parameters with the NC coding bit set. Once the whole parameter set is stored only the individual modified menu 0 parameter setting is updated.

Advanced parameter changes are only saved to the card when Pr xx.00 is set to a 1000 and the drive reset.

All SMARTCARD trips apply, except 'C.Chg'. If the data block already contains information it is automatically overwritten.

If the card is removed when Pr 11.42 is set to 3 Pr 11.42 is then automatically set to nonE (0).

When a new SMARTCARD is installed Pr 11.42 must be set back to Auto (3) by the user and the drive reset so the complete parameter set is rewritten to the new SMARTCARD if auto mode is still required.

When Pr 11.42 is set to Auto (3) and the parameters in the drive are saved, the SMARTCARD is also updated, therefore the SMARTCARD becomes a copy of the drives stored configuration.

At power up, if Pr 11.42 is set to Auto (3), the drive will save the complete parameter set to the SMARTCARD. The drive will display 'cArd' during this operation. This is done to ensure that if a user puts a new SMARTCARD in during power down the new SMARTCARD will have the correct data.

NOTE

When Pr 11.42 is set to Auto (3) the setting of Pr 11.42 itself is saved to the drive EEPROM but NOT to the SMARTCARD.

11.2.4 Booting up from the SMARTCARD on every power up (Pr 11.42 = boot (4))

When Pr 11.42 is set to boot (4) the drive operates the same as Auto mode except when the drive is powered-up. The parameters on the SMARTCARD will be automatically transferred to the drive at power up if the following are true:

- A card is inserted in the drive
- Parameter data block 1 exists on the card
- The data in block 1 is type 1 to 5 (as defined in Pr 11.38)
- Pr 11.42 on the card set to boot (4)

The drive will display 'boot' during this operation. If the drive mode is different from that on the card, the drive gives a 'C.Typ'. trip and the data is not transferred.

If 'boot' mode is stored on the copying SMARTCARD this makes the copying SMARTCARD the master device. This provides a very fast and efficient way of re-programming a number of drives.

If data block 1 contains a bootable parameter set and data block 2 contains an Onboard PLC program (type 17 as defined in Pr 11.38), then if the drive software version is V01.07.00 and later, the onboard PLC program will be transferred to the drive at power up along with the parameter set in data block 1.

NOTE

'Boot' mode is saved to the card, but when the card is read, the value of Pr 11.42 is not transferred to the drive.

11.2.5 Booting up from the SMARTCARD on every power up (Pr xx.00 = 2001), software V01.08.00 and later

It is possible to create a difference from default bootable file by setting Pr xx.00 to 2001 and resetting the drive. This type of file causes the drive to behave in the same way at power-up as a file created with boot mode set up with Pr 11.42. The difference from the default file is that it has the added advantage of including menu 20 parameters.

Setting Pr xx.00 to 2001 will overwrite data block 1 on the card if it already exists.

If a data block 2 exists and contains an Onboard PLC program (type 17 as defined in Pr 11.38), this will also be loaded after the parameters have been transferred

A bootable difference from default file can only be created in one operation and parameters cannot be added as they are saved via menu 0.

11.2.6 8yyy - Comparing the drive full parameter set with the SMARTCARD values

Setting 8yyy in Pr xx.00, will compare the SMARTCARD file with the data in the drive. If the compare is successful Pr xx.00 is simply set to 0. If the compare fails a 'C.cpr' trip is initiated.

11.2.7 7yyy / 9999 - Erasing data from the SMARTCARD

Data can be erased from the SMARTCARD either one block at a time or all blocks in one go.

- Setting 7yyy in Pr xx.00 will erase SMARTCARD data block yyy.
- Setting 9999 in Pr xx.00 will erase all SMARTCARD data blocks

11.2.8 9666 / 9555 - Setting and clearing the SMARTCARD warning suppression flag (V01.07.00 and later)

If the Solutions Modules installed to the source and destination drive are different or are in different slots the drive will produce a 'C.Optn' trip. If the data is being transferred to a drive of a different voltage or current rating a 'C.rtg' trip will occur. It is possible to suppress these trips by setting the warning suppression flag. If this flag is set the drive will not trip if the Solutions Module(s) or drive ratings are different between the source and destination drives. The Solutions Module or rating dependent parameters will not be transferred.

- Setting 9666 in Pr xx.00 will set the warning suppression flag
- Setting 9555 in Pr xx.00 will clear the warning suppression flag

11.2.9 9888 / 9777 - Setting and clearing the SMARTCARD read only flag

The SMART CARD may be protected from writing or erasing by setting the read only flag. If an attempt is made to write or erase a data block when the read only flag is set, a 'C.rdo' trip is initiated. When the read only flag is set only codes 6yyy or 9777 are effective.

- Setting 9888 in Pr xx.00 will set the read only flag
- Setting 9777 in Pr xx.00 will clear the read only flag.

11.3 Data block header information

Each data block stored on a SMARTCARD has header information detailing the following:

- A number which identifies the block (Pr 11.37)
- The type of data stored in the block (Pr 11.38)
- The drive mode if the data is parameter data (Pr 11.38)
- The version number (Pr 11.39)
- The checksum (Pr 11.40)
- The read-only flag
- The warning suppression flag (V01.07.00 and later)

The header information for each data block which has been used can be viewed in Pr 11.38 to Pr 11.40 by increasing or decreasing the data block number set in Pr 11.37.

Software V01.07.00 and later

If Pr 11.37 is set to 1000 the checksum parameter (Pr 11.40) shows the number of 16 byte pages left on the card.

If Pr 11.37 is set to 1001 the checksum parameter (Pr 11.40) shows the total capacity of the card in 16 byte pages. Therefore, for a 4kB card this parameter would show 254.

If Pr 11.37 is set to 1002 the checksum parameter (Pr 11.40) shows the state of the read-only (bit 0) and warning suppression flags (bit 1).

Software version V01.11.00 and later: If Pr 11.37 is set to 1003, the checksum parameter (Pr 11.40) shows the product identifier (255 = Unidrive SP, 1 = Commander GP20, 2 = Digitax ST, 3 = Affinity).

If there is no data on the card Pr 11.37 can only have values of 0 or 1000 to 1003.

Software V01.06.02 and earlier

If Pr 11.37 is set to 1000 the checksum parameter (Pr 11.40) shows the number of bytes left on the card. If there is no data on the card Pr 11.37 can only have values of 0 or 1000.

The version number is intended to be used when data blocks are used as drive macros. If a version number is to be stored with a data block, Pr 11.39 should be set to the required version number before the data is transferred. Each time Pr 11.37 is changed by the user the drive puts the version number of the currently viewed data block in Pr 11.39.

If the destination drive has a different drive mode to the parameters on the card, the drive mode will be changed by the action of transferring parameters from the card to the drive.

The actions of erasing a card, erasing a file, changing a menu 0 parameter, or inserting a new card will effectively set Pr 11.37 to 0 or the lowest file number in the card.

11.4 SMARTCARD parameters

Table 11-3 Key to parameter table coding

RW	Read / Write	RO	Read only	Uni	Unipolar
Bi	Bi-polar	Bit	Bit parameter	Txt	Text string
FI	Filtered	DE	Destination	NC	Not copied
RA	Rating dependent	PT	Protected	US	User save
PS	Power down save				

11.36 {0.29} SMARTCARD parameter data previously loaded

RO	Uni				NC	PT	US
⇕	0 to 999				⇒	0	

This parameter shows the number of the data block last transferred from a SMARTCARD to the drive.

11.37 SMARTCARD data number

RW	Uni				NC		
⇕	0 to 1003				⇒	0	

This parameter should have the data block number entered for which the user would like information displayed in Pr 11.38, Pr 11.39 and Pr 11.40.

11.38 SMARTCARD data type/mode									
RO	Txt					NC	PT		
⇕	0 to 18				⇒				

Gives the type/mode of the data block selected with Pr 11.37:

Pr 11.38	String	Type/mode	Data stored
0	FrEE	Value when Pr 11.37 = 0, 1000 to 1003	Data from EEPROM
1		Reserved	
2	3OpEn.LP	Open-loop mode parameters	
3	3CL.VECT	Closed-loop vector mode parameters	
4	3SErVO	Servo mode parameters	
5	3rEgEn	Regen mode parameters	Defaults last loaded and differences
6 to 8	3Un	Unused	
9		Reserved	
10	4OpEn.LP	Open-loop mode parameters	
11	4CL.VECT	Closed-loop vector mode parameters	
12	4SErVO	Servo mode parameters	
13	4rEgEn	Regen mode parameters	
14 to 16	4Un	Unused	
17	LAddEr	Onboard PLC program	
18	Option	A Solutions Module file	

11.39 SMARTCARD data version

RW	Uni					NC		
⇕	0 to 9,999				⇒	0		

Gives the version number of the data block selected in Pr 11.37.

11.40 SMARTCARD data checksum

RO	Uni					NC	PT	
⇕	0 to 65,335				⇒			

Gives the checksum of the data block selected in Pr 11.37.

11.42 {0.30} Parameter copying

RW	Txt					NC		US*
⇕	0 to 4				⇒	nonE (0)		

NOTE

If Pr 11.42 is equal to 1 or 2, this value is not transferred to the drive or saved to the EEPROM. If Pr 11.42 is set to a 3 or 4 the value is transferred.

nonE (0) = Inactive

rEAd (1) = Read parameter set from the SMARTCARD

Prog (2) = Programming a parameter set to the SMARTCARD

Auto (3) = Auto save

boot (4) = Boot mode

11.5 SMARTCARD trips

After an attempt to read, write or erase data to or from a SMARTCARD a trip may occur if there has been a problem with the command. The following trips indicate various problems as detailed in Table 11-4.

Table 11-4 Trip conditions



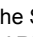
Trip	Diagnosis
C.Acc	SMARTCARD trip: SMARTCARD Read / Write fail
185	Check SMARTCARD is installed / located correctly Ensure SMARTCARD is not writing data to data location 500 to 999 Replace SMARTCARD
C.boot	SMARTCARD trip: The menu 0 parameter modification cannot be saved to the SMARTCARD because the necessary file has not been created on the SMARTCARD
177	A write to a menu 0 parameter has been initiated via the keypad with Pr 11.42 set to auto(3) or boot(4), but the necessary file on the SMARTCARD has not been created Ensure that Pr 11.42 is correctly set and reset the drive to create the necessary file on the SMARTCARD Re-attempt the parameter write to the menu 0 parameter
C.bUSY	SMARTCARD trip: SMARTCARD can not perform the required function as it is being accessed by a Solutions Module
178	Wait for the Solutions Module to finish accessing the SMARTCARD and then re-attempt the required function
C.Chg	SMARTCARD trip: Data location already contains data
179	Erase data in data location Write data to an alternative data location
C.Cpr	SMARTCARD trip: The values stored in the drive and the values in the data block on the SMARTCARD are different
188	Press the red  reset button
C.dat	SMARTCARD trip: Data location specified does not contain any data
183	Ensure data block number is correct
C.Err	SMARTCARD trip: SMARTCARD data is corrupted
182	Ensure the card is located correctly Erase data and retry Replace SMARTCARD
C.Full	SMARTCARD trip: SMARTCARD full
184	Delete a data block or use a different SMARTCARD
C.Optn	SMARTCARD trip: Solutions Modules installed are different between source drive and destination drive
180	Ensure correct Solutions Modules are installed Ensure Solutions Modules are in the same Solutions Module slot Press the red  reset button
C.Prod	SMARTCARD trip: The data blocks on the SMARTCARD are not compatible with this product
175	Erase all data on the SMARTCARD by setting Pr xx.00 to 9999 and pressing the red  reset button Replace SMARTCARD
C.rdo	SMARTCARD trip: SMARTCARD has the Read only bit set
181	Enter 9777 in Pr xx.00 to allow SMARTCARD Read / Write access Ensure the drive is not writing to data locations 500 to 999 on the card

Table 11-4 Trip conditions



Trip	Diagnosis																												
C.rtg	SMARTCARD trip: The voltage and/or current rating of the source and destination drives are different																												
186	<p>Drive rating dependent parameters (parameters with the RA coding) are likely to have different values and ranges with drives of different voltage and current ratings. Parameters with this attribute will not be transferred to the destination drive by SMARTCARDs when the rating of the destination drive is different from the source drive and the file is a parameter file. However, with software V01.09.00 and later drive rating dependent parameters will be transferred if only the current rating is different and the file is a differences from default type file.</p> <p>Press the red  reset button</p> <p>Drive rating parameters are:</p> <table border="1"> <thead> <tr> <th>Parameter</th> <th>Function</th> </tr> </thead> <tbody> <tr> <td>2.08</td> <td>Standard ramp voltage</td> </tr> <tr> <td>4.05/6/7, 21.27/8/9</td> <td>Current limits</td> </tr> <tr> <td>4.24</td> <td>User current maximum scaling</td> </tr> <tr> <td>5.07, 21.07</td> <td>Motor rated current</td> </tr> <tr> <td>5.09, 21.09</td> <td>Motor rated voltage</td> </tr> <tr> <td>5.10, 21.10</td> <td>Rated power factor</td> </tr> <tr> <td>5.17, 21.12</td> <td>Stator resistance</td> </tr> <tr> <td>5.18</td> <td>Switching frequency</td> </tr> <tr> <td>5.23, 21.13</td> <td>Voltage offset</td> </tr> <tr> <td>5.24, 21.14</td> <td>Transient inductance</td> </tr> <tr> <td>5.25, 21.24</td> <td>Stator inductance</td> </tr> <tr> <td>6.06</td> <td>DC injection braking current</td> </tr> <tr> <td>6.48</td> <td>Line power supply loss ride through detection level</td> </tr> </tbody> </table> <p>The above parameters will be set to their default values.</p>	Parameter	Function	2.08	Standard ramp voltage	4.05/6/7, 21.27/8/9	Current limits	4.24	User current maximum scaling	5.07, 21.07	Motor rated current	5.09, 21.09	Motor rated voltage	5.10, 21.10	Rated power factor	5.17, 21.12	Stator resistance	5.18	Switching frequency	5.23, 21.13	Voltage offset	5.24, 21.14	Transient inductance	5.25, 21.24	Stator inductance	6.06	DC injection braking current	6.48	Line power supply loss ride through detection level
Parameter	Function																												
2.08	Standard ramp voltage																												
4.05/6/7, 21.27/8/9	Current limits																												
4.24	User current maximum scaling																												
5.07, 21.07	Motor rated current																												
5.09, 21.09	Motor rated voltage																												
5.10, 21.10	Rated power factor																												
5.17, 21.12	Stator resistance																												
5.18	Switching frequency																												
5.23, 21.13	Voltage offset																												
5.24, 21.14	Transient inductance																												
5.25, 21.24	Stator inductance																												
6.06	DC injection braking current																												
6.48	Line power supply loss ride through detection level																												
C.Typ	SMARTCARD trip: SMARTCARD parameter set not compatible with drive																												
187	<p>Press the red  reset button</p> <p>Ensure destination drive type is the same as the source parameter file drive type</p>																												

Table 11-5 SMARTCARD status indications

Lower display	Description	Lower display	Description
boot	A parameter set is being transferred from the SMARTCARD to the drive during power-up. For further information, please refer to section 11.2.4 <i>Booting up from the SMARTCARD on every power up (Pr 11.42 = boot (4))</i> .	cArd	The drive is writing a parameter set to the SMARTCARD during power-up. For further information, please refer to section 11.2.3 <i>Auto saving parameter changes (Pr 11.42 = Auto (3))</i> .

12 Onboard PLC

12.1 Onboard PLC and SYPTLite

The drive has the ability to store and execute a 4KB Onboard PLC ladder logic program without the need for additional hardware in the form of a Solutions Module.

The ladder logic program is written using SYPTLite, a Windows™ based ladder diagram editor allowing the development of programs for execution in Unidrive SP or SM-Applications Lite.

SYPTLite is designed to be easy to use and to make program development as simple as possible. The features provided are a sub-set of those in the SYPT program editor. SYPTLite programs are developed using ladder logic, a graphical language widely used to program PLCs (IEC61131-3). SYPTLite allows the user to "draw" a ladder diagram representing a program.

SYPTLite provides a complete environment for the development of ladder diagrams. Ladder diagrams can be created, compiled into user programs and downloaded to a Unidrive SP or SM-Applications Lite for execution, via the RJ45 serial communications port on the front of the drive. The run-time operation of the compiled ladder diagram on the target can also be monitored using SYPTLite and facilities are provided to interact with the program on the target by setting new values for target parameters.

SYPTLite is available on the CD which is supplied with the drive.

12.2 Benefits

The combination of the Onboard PLC and SYPTLite, means that the drive can replace nano and some micro PLCs in many applications. The Onboard PLC programs can consist of up to a maximum of 50 ladder logic rungs (up to 7 function blocks and 10 contacts per rung). The Onboard PLC program can also be transferred to and from a SMARTCARD for backup or quick commissioning/start-up

In addition to the basic ladder symbols, SYPTLite contains a sub-set of the function from the full version of SYPT. These include,

- Arithmetic blocks
- Comparison blocks
- Timers
- Counters
- Multiplexers
- Latches
- Bit manipulation

Typical applications for the Onboard PLC include,

- Ancillary pumps
- Fans and control valves
- Interlocking logic
- Sequences routines
- Custom control words.

12.3 Limitations

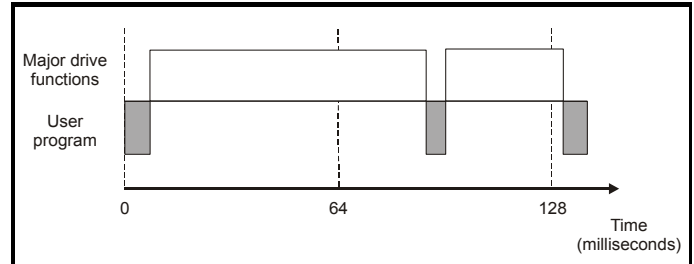
Compared with the Applications Modules (SM-Applications, SM-Applications Lite and SM-Applications Plus) when programmed with SYPT, the Onboard PLC program has the following limitations:

- The maximum program size is 4032 bytes including header and optional source code.
- The drive is rated for 100 program downloads. This limitation is imposed by the flash memory used to store the program within the drive.
- The user cannot create user variables. The user is only able to manipulate the drive parameter set.
- The program cannot be downloaded or monitored over CNet. The program is only accessible via the drives RJ45 serial communications port.
- There are no real-time tasks, i.e. the scheduling rate of the program cannot be guaranteed. Applications Modules tasks such as Clock, Event, Pos0 or Speed are not available. The Onboard PLC should

not be used for time-critical applications. For time-critical applications Unidrive SP and an SM-Applications Plus, SM-Applications or SM-Applications Lite should be used.

- The program runs at a low priority. The drive provides a single background task in which to run a ladder diagram. The drive is prioritised to perform its major functions first, e.g. motor control, and will use any remaining processing time to execute the ladder diagram as a background activity. As the drive's processor becomes more heavily loaded, less time is spent executing the program.

Figure 12-1 Onboard PLC program scheduling

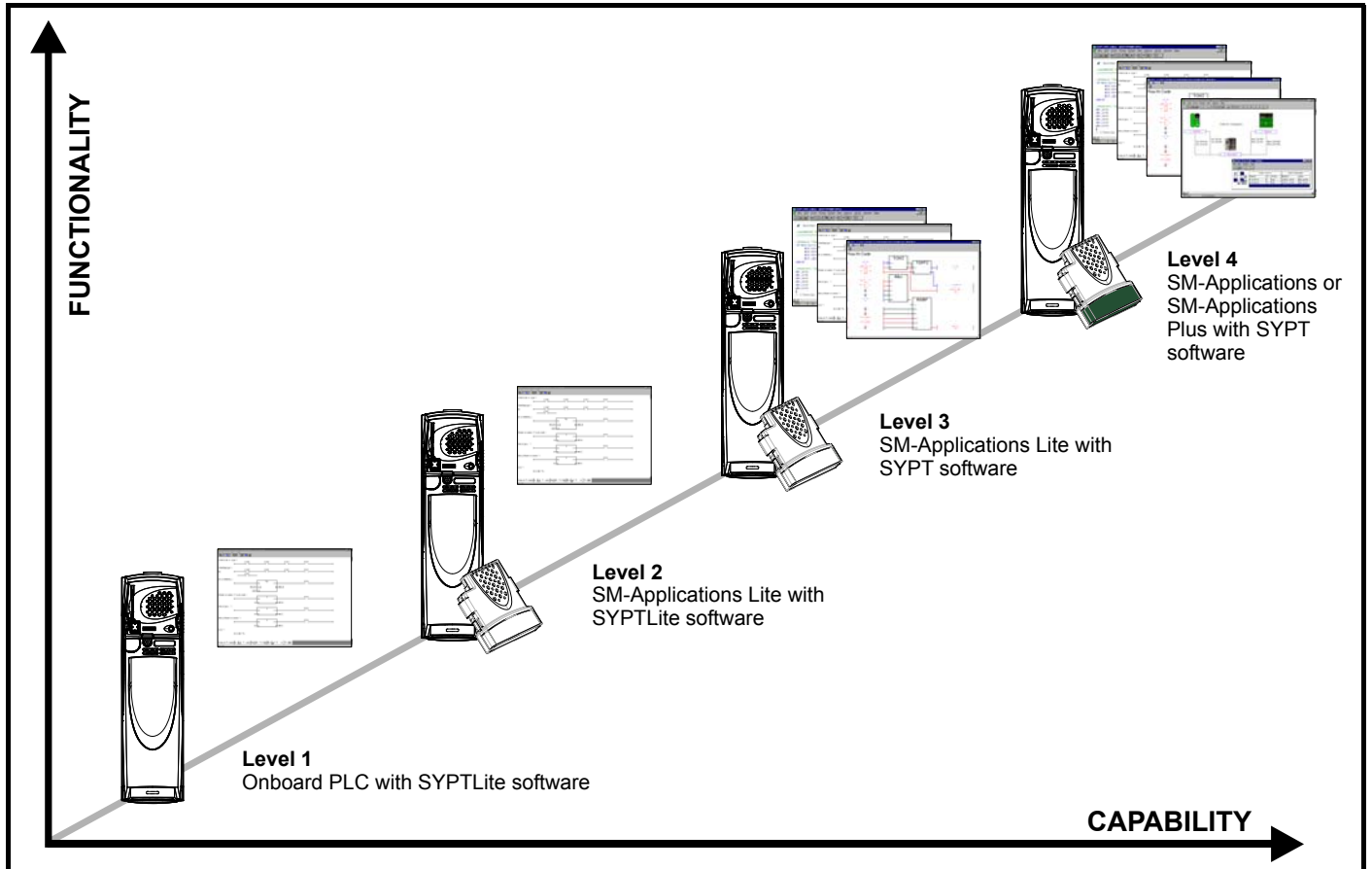


The user program is scheduled for a short period approximately once every 64ms. The time for which the program is scheduled will vary between 0.2ms and 2ms depending on the loading of the drive's processor.

When scheduled, several scans of the user program may be performed. Some scans may execute in microseconds. However, when the main drive functions are scheduled there will be a pause in the execution of the program causing some scans to take many milliseconds. SYPTLite displays the average execution time calculated over the last 10 scans of the user program.

The Onboard PLC and SYPTLite form the first level of functionality in a range of programmable options for Unidrive SP.

Figure 12-2 Programming options for Unidrive SP



SYPTLite can be used with either the Onboard PLC in the Unidrive SP or with SM-Applications Lite to create ladder logic programs.

SYPT can be used with any of the Applications Modules to create fully flexible programs using ladder logic, function blocks or DPL script.

12.4 Getting started

SYPTLite can be found on the CD which is supplied with the drive.

SYPTLite system requirements

- Windows 2000/XP. **Windows 95/98/98SE/Me/NT4 are not supported**
- Pentium III 500MHz or better recommended
- 128MB RAM
- Minimum of 800x600 screen resolution. 1024x768 is recommended
- Adobe Acrobat 5.10 or later (for viewing User Guides)
- Microsoft Internet Explorer V5.0 or later
- RS232 to RS485, RJ45 communications lead to connect the PC to the drive
- Administrator rights under Windows 2000/XP are required to install the software

To install SYPTLite, insert the CD and the auto-run facility should start up the front-end screen, from which SYPTLite can be selected.

See the SYPTLite help file for more information regarding using SYPTLite, creating ladder diagrams and the available function blocks.

12.5 Onboard PLC parameters

The following parameters are associated with the Onboard PLC program.

11.47		Drive Onboard PLC program enable							
RW	Uni							US	
↕		0 to 2				⇒	2		

This parameter is used to start and stop the drive Onboard PLC program.

Value	Description
0	Halt the drive Onboard PLC program.
1	Run the drive Onboard PLC program (if installed). Any out-of-range parameter writes attempted will be clipped to the maximum / minimum values valid for that parameter before being written.
2	Run the drive Onboard PLC program (if installed). Any out-of-range parameter writes attempted will cause a 'UP ovr' trip.

11.48		Drive Onboard PLC program status					
RO	Bi					NC	PT
↕		-128 to +127				⇒	

The drive Onboard PLC program status parameter indicates to the user the actual state of the drive Onboard PLC program.

Value	Description
-n	Onboard PLC program caused a drive trip due to an error condition while running rung n. Note that the rung number is shown on the display as a negative number.
0	Onboard PLC program is not installed.
1	Onboard PLC program is installed but stopped.
2	Onboard PLC program is installed and running.

When an Onboard PLC program is installed and running, the lower display of the drive flashes 'PLC' once every 10s.

11.49 Drive Onboard PLC programming events	
RO	Uni
↕	0 to 65,535

The drive Onboard PLC programming events parameter holds the number of times an Onboard PLC program download has taken place and is 0 on dispatch from the factory. The drive is rated for one hundred ladder program downloads. This parameter is not altered when defaults are loaded.

11.50 Drive Onboard PLC program average scan time	
RO	Uni
↕	0 to 65,535 ms

This parameter is updated once per second or once per Onboard PLC program scan whichever is the longest. If more than one program scan occurs within the one second update period the parameter shows the average scan time. If the program scan time is longer than one second the parameter shows the time for the last program scan.

11.51 Drive Onboard PLC program first run	
RO	Bit
↕	OFF (0) or On (1)

The Drive Onboard PLC program first run parameter is set for the duration of program scan from the stopped state. This enables the user to perform any required initialisation every time the program is run. This parameter is set every time the program is stopped.

12.6 Onboard PLC trips

The following trips are associated with the Onboard PLC program.

Trip	Diagnosis
UP ACC	Onboard PLC program: Cannot access Onboard PLC program file on drive
98	Disable drive - write access is not allowed when the drive is enabled. Another source is already accessing Onboard PLC program - retry once the other action is complete.
UP div0	Onboard PLC program attempted divide by zero
90	Check program
UP OFL	Onboard PLC program variables and function block calls using more than the allowed RAM space (stack overflow)
95	Check program
UP ovr	Onboard PLC program attempted out of range parameter write
94	Check program
UP PAr	Onboard PLC program attempted access to a non-existent parameter
91	Check program
UP ro	Onboard PLC program attempted write to a read-only parameter
92	Check program
UP So	Onboard PLC program attempted read of a write-only parameter
93	Check program
UP udF	Onboard PLC program undefined trip
97	Check program
UP uSEr	Onboard PLC program requested a trip
96	Check program

12.7 Onboard PLC and the SMARTCARD

The Onboard PLC program in a drive may be transferred from the drive to a SMARTCARD and vice versa.

- To transfer an Onboard PLC program from the drive to a SMARTCARD, set Pr **xx.00** to 5yyy and reset the drive
- To transfer an Onboard PLC program from the SMARTCARD to a drive, set Pr **xx.00** to 6yyy and reset the drive.

(Where yyy is the data block location, see Table 11-1 *SMARTCARD data blocks* on page 150 for restrictions on block numbers).

If an attempt is made to transfer an Onboard PLC program from a drive to the SMARTCARD when the drive contains no program, the block is still created on the SMARTCARD but it will contain no data. If this data block is then transferred to a drive, the destination drive will then have no Onboard PLC program.

The smallest SMARTCARD compatible with Unidrive SP has a capacity of 4064 bytes and each block can be up to 4064 bytes in size. The maximum size of a user program is 4032 bytes so it is guaranteed that any Onboard PLC program downloaded to a Unidrive SP will fit on to an empty SMARTCARD. A SMARTCARD can contain a number of Onboard PLC programs until the capacity of the card is used.

13 Advanced parameters

This is a quick reference to all parameters in the drive showing units, ranges limits etc, with block diagrams to illustrate their function. Full descriptions of the parameters can be found in the *Advanced User Guide* on the supplied CD ROM.


 WARNING	<p>These advanced parameters are listed for reference purposes only. The lists in this chapter do not include sufficient information for adjusting these parameters. Incorrect adjustment can affect the safety of the system, and damage the drive and or external equipment. Before attempting to adjust any of these parameters, refer to the <i>Advanced User Guide</i>.</p>
--	--

Table 13-1 Menu descriptions

Menu number	Description
0	Commonly used basic set up parameters for quick / easy programming
1	Frequency / speed reference
2	Ramps
3	Frequency slaving, speed feedback and speed control
4	Torque and current control
5	Motor control
6	Sequencer and clock
7	Analog I/O
8	Digital I/O
9	Programmable logic, motorized pot and binary sum
10	Status and trips
11	General drive set-up
12	Threshold detectors and variable selectors
13	Position control
14	User PID controller
15, 16, 17	Solutions Module slots
18	Application menu 1
19	Application menu 2
20	Application menu 3
21	Second motor parameters
22	Additional Menu 0 set-up

Operation mode abbreviations:

- OL> Open loop
- CL> Closed loop (which incorporates closed loop vector and servo mode)
- VT> Closed loop vector mode
- SV> Servo

Default abbreviations:

- EUR> European default value (50Hz AC supply frequency)
- USA> USA default value (60Hz AC supply frequency)

NOTE

Parameter numbers shown in brackets {...} are the equivalent Menu 0 parameters. Some Menu 0 parameters appear twice since their function depends on the operating mode.

The Range - CL column applies to both Closed-loop Vector and Closed-loop Servo. For some parameters, this column applies only to one of these modes; this is indicated accordingly in the Default columns.

In some cases, the function or range of a parameter is affected by the setting of another parameter; the information in the lists relates to the default condition of such parameters.

Table 13-2 Key to parameter table coding

Coding	Attribute
RW	Read/write: can be written by the user
RO	Read only: can only be read by the user
Bit	1 bit parameter. 'On' or 'OFF' on the display
Bi	Bipolar parameter
Uni	Unipolar parameter
Txt	Text: the parameter uses text strings instead of numbers.
FI	Filtered: some parameters which can have rapidly changing values are filtered when displayed on the drive keypad for easy viewing.
DE	Destination: This parameter selects the destination of an input or logic function.
RA	Rating dependent: this parameter is likely to have different values and ranges with drives of different voltage and current ratings. Parameters with this attribute will not be transferred to the destination drive by SMARTCARDS when the rating of the destination drive is different from the source drive and the file is a parameter file. However, with software V01.09.00 and later the value will be transferred if only the current rating is different and the file is a differences from default type file.
NC	Not copied: not transferred to or from SMARTCARDS during copying.
PT	Protected: cannot be used as a destination.
US	User save: parameter saved in drive EEPROM when the user initiates a parameter save.
PS	Power-down save: parameter automatically saved in drive EEPROM when the under volts (UV) trip occurs. With software version V01.08.00 and later, power-down save parameters are also saved in the drive when the user initiates a parameter save.

Table 13-3 Feature look-up table

Feature	Related parameters (Pr)												
Acceleration rates	2.10	2.11 to 2.19		2.32	2.33	2.34	2.02						
Analog speed reference 1	1.36	7.10	7.01	7.07	7.08	7.09	7.25	7.26	7.30				
Analog speed reference 2	1.37	7.14	1.41	7.02	7.11	7.12	7.13	7.28	7.31				
Analog I/O	Menu 7												
Analog input 1	7.01	7.07	7.08	7.09	7.10	7.25	7.26	7.30					
Analog input 2	7.02	7.11	7.12	7.13	7.14	7.28	7.31						
Analog input 3	7.03	7.15	7.16	7.17	7.18	7.29	7.32						
Analog output 1	7.19	7.20	7.21	7.33									
Analog output 2	7.22	7.23	7.24										
Application menu	Menu 18			Menu 19		Menu 20							
At speed indicator bit	3.06	3.07	3.09	10.06	10.05	10.07							
Auto reset	10.34	10.35		10.36		10.01							
Autotune	5.12	5.16	5.17	5.23	5.24	5.25	5.10	5.29	5.30				
Binary sum	9.29	9.30	9.31	9.32	9.33	9.34							
Bipolar speed	1.10												
Brake control	12.40 to 12.49												
Braking	10.11	10.10	10.30	10.31	6.01	2.04	2.02	10.12	10.39	10.40			
Catch a spinning motor	6.09	5.40											
Coast to stop	6.01												
Comms	11.23 to 11.26												
Copying	11.42	11.36 to 11.40											
Cost - per kWh electricity	6.16	6.17	6.24	6.25	6.26	6.40							
Current controller	4.13	4.14											
Current feedback	4.01	4.02	4.17	4.04	4.12	4.20	4.23	4.24	4.26	10.08	10.09	10.17	
Current limits	4.05	4.06	4.07	4.18	4.15	4.19	4.16	5.07	5.10	10.08	10.09	10.17	
DC bus voltage	5.05	2.08											
DC injection braking	6.06	6.07	6.01										
Deceleration rates	2.20	2.21 to 2.29		2.04	2.35 to 2.37		2.02	2.04	2.08	6.01	10.30	10.31	10.39
Defaults	11.43	11.46											
Digital I/O	Menu 8												
Digital I/O read word	8.20												
Digital I/O T24	8.01	8.11	8.21	8.31									
Digital I/O T25	8.02	8.12	8.22	8.32									
Digital I/O T26	8.03	8.13	8.23	8.33									
Digital input T27	8.04	8.14	8.24										
Digital input T28	8.05	8.15	8.25	8.39									
Digital input T29	8.06	8.16	8.26	8.39									
Digital lock	13.10	13.01 to 13.09		13.11	13.12	13.16	3.22	3.23	13.19 to 13.23				
Digital output T22	8.08	8.18	8.28										
Direction	10.13	6.30	6.31	1.03	10.14	2.01	3.02	8.03	8.04	10.40			
Display timeout	11.41												
Drive active	10.02	10.40											
Drive derivative	11.28												
Drive OK	10.01	8.27	8.07	8.17	10.36	10.40							
Dynamic performance	5.26												
Dynamic V/F	5.13												
Electronic nameplate	3.49												
Enable	6.15	8.09	8.10										
Encoder reference	3.43	3.44	3.45	3.46									
Encoder set up	3.33	3.34 to 3.42		3.47	3.48								
External trip	10.32	8.10	8.07										
Fan speed	6.45												
Fast disable	6.29												
Field weakening - induction motor	5.29	5.30	1.06	5.28									
Field weakening - servo	5.22	1.06											
Filter change	6.19	6.18											
Frequency reference selection	1.14	1.15											
Frequency slaving	3.01	3.13	3.14	3.15	3.16	3.17	3.18						
Hard speed reference	3.22	3.23											
Heavy duty rating	5.07	11.32											
High stability space vector modulation	5.19												
I/O sequencer	6.04	6.30	6.31	6.32	6.33	6.34	6.42	6.43	6.41				

Feature	Related parameters (Pr)														
Inertia compensation	2.38	5.12	4.22	3.18											
Jog reference	1.05	2.19	2.29												
Ke	5.33														
Keypad reference	1.17	1.14	1.43	1.51	6.12	6.13									
Kt	5.32														
Limit switches	6.35	6.36													
Line power supply loss	6.03	10.15	10.16	5.05											
Local position reference	13.20 to 13.23														
Logic function 1	9.01	9.04	9.05	9.06	9.07	9.08	9.09	9.10							
Logic function 2	9.02	9.14	9.15	9.16	9.17	9.18	9.19	9.20							
Low voltage supply	6.44	6.46													
Marker pulse	3.32	3.31													
Maximum speed	1.06														
Menu 0 set up	11.01 to 11.22		Menu 22												
Minimum speed	1.07	10.04													
Modules - number of	11.35														
Motor map	5.06	5.07	5.08	5.09	5.10	5.11									
Motor map 2	Menu 21		11.45												
Motorized potentiometer	9.21	9.22	9.23	9.24	9.25	9.26	9.27	9.28							
Offset speed reference	1.04	1.38	1.09												
Onboard PLC	11.47 to 11.51														
Open collector digital outputs	8.30														
Open loop vector mode	5.14	5.17	5.23												
Operating mode	0.48	11.31	3.24	5.14											
Orientation	13.10	13.13 to 13.15													
Output	5.01	5.02	5.03	5.04											
Overspeed threshold	3.08														
Phase angle	3.25	5.12													
PID controller	Menu 14														
Position feedback - drive	3.28	3.29	3.30	3.50											
Positive logic	8.29														
Power up parameter	11.22	11.21													
Precision reference	1.18	1.19	1.20	1.44											
Preset speeds	1.15	1.21 to 1.28		1.16	1.14	1.42	1.45 to 1.48		1.50						
Programmable logic	Menu 9														
Quasi square operation	5.20														
Ramp (accel / decel) mode	2.04	2.08	6.01	2.02	2.03	10.30	10.31	10.39							
Rated speed autotune	5.16	5.08													
Regenerating	10.10	10.11	10.30	10.31	6.01	2.04	2.02	10.12	10.39	10.40					
Relative jog	13.17 to 13.19														
Relay output	8.07	8.17	8.27												
Reset	10.33	8.02	8.22	10.34	10.35	10.36	10.01								
RFC mode (encoder less CLV mode)	3.24	3.42	4.12	5.40											
S ramp	2.06	2.07													
Sample rates	5.18														
SAFE TORQUE OFF (SECURE DISABLE) input	8.09	8.10													
Security code	11.30	11.44													
Serial comms	11.23 to 11.26														
Skip speeds	1.29	1.30	1.31	1.32	1.33	1.34	1.35								
Slip compensation	5.27	5.08													
SMARTCARD	11.36 to 11.40		11.42												
Software version	11.29	11.34													
Speed controller	3.10 to 3.17		3.19	3.20	3.21										
Speed feedback	3.02	3.03	3.04												
Speed feedback - drive	3.26	3.27	3.28	3.29	3.30	3.31	3.42								
Speed reference selection	1.14	1.15	1.49	1.50	1.01										
Status word	10.40														
Supply	6.44	5.05	6.46												
Switching frequency	5.18	5.35	7.34	7.35											
Thermal protection - drive	5.18	5.35	7.04	7.05	7.06	7.32	7.35	10.18							
Thermal protection - motor	4.15	5.07	4.19	4.16	4.25	7.15									
Thermistor input	7.15	7.03													
Threshold detector 1	12.01	12.03 to 12.07													

Feature	Related parameters (Pr)														
Threshold detector 2	12.02	12.23 to 12.27													
Time - filter change	6.19	6.18													
Time - powered up log	6.20	6.21	6.28												
Time - run log	6.22	6.23	6.28												
Torque	4.03	4.26	5.32												
Torque mode	4.08	4.11	4.09	4.10											
Trip detection	10.37	10.38	10.20 to 10.29												
Trip log	10.20 to 10.29		10.41 to 10.51		6.28										
Under voltage	5.05	10.16	10.15												
V/F mode	5.15	5.14													
Variable selector 1	12.08 to 12.15														
Variable selector 2	12.28 to 12.35														
Velocity feed forward	1.39	1.40													
Voltage controller	5.31														
Voltage mode	5.14	5.17	5.23	5.15											
Voltage rating	11.33	5.09	5.05												
Voltage supply	6.44	6.46	5.05												
Warning	10.19	10.12	10.17	10.18	10.40										
Zero speed indicator bit	3.05	10.03													

Parameter ranges and variable maximums:

The two values provided define the minimum and maximum values for the given parameter. In some cases the parameter range is variable and dependant on either:

- other parameters
- the drive rating
- drive mode
- or a combination of these

The values given in Table 13-4 are the variable maximums used in the drive.

Table 13-4 Definition of parameter ranges & variable maximums

Maximum	Definition
SPEED_FREQ_MAX [Open-loop 3000.0Hz, Closed-loop vector and Servo 40000.0rpm]	Maximum speed (closed-loop mode) reference or frequency (open-loop mode) reference If Pr 1.08 = 0: SPEED_FREQ_MAX = Pr 1.06 If Pr 1.08 = 1: SPEED_FREQ_MAX is Pr 1.06 or – Pr 1.07 whichever is the largest (If the second motor map is selected Pr 21.01 is used instead of Pr 1.06 and Pr 21.02 instead of Pr 1.07)
SPEED_LIMIT_MAX [40000.0rpm]	Maximum applied to speed reference limits A maximum limit may be applied to the speed reference to prevent the nominal encoder frequency from exceeding 500kHz (410kHz for software version V01.06.00 and earlier). The maximum is defined by SPEED_LIMIT_MAX (in rpm) = 500kHz x 60 / ELPR = 3.0 x 10 ⁷ / ELPR subject to an absolute maximum of 40,000 rpm. ELPR is equivalent encoder lines per revolution and is the number of lines that would be produced by a quadrature encoder. Quadrature encoder ELPR = number of lines per revolution F and D encoder ELPR = number of lines per revolution / 2 Resolver ELPR = resolution / 4 SINCOS encoder ELPR = number of sine waves per revolution Serial comms encoder ELPR = resolution / 4 This maximum is defined by the device selected with the speed feedback selector (Pr 3.26) and the ELPR set for the position feedback device. In closed-loop vector RFC mode SPEED_LIMIT_MAX = 40,000rpm.
SPEED_MAX [40000.0rpm]	Maximum speed This maximum is used for some speed related parameters in menu 3. To allow headroom for overshoot etc. the maximum speed is twice the maximum speed reference. SPEED_MAX = 2 x SPEED_FREQ_MAX
RATED_CURRENT_MAX [9999.99A]	Maximum motor rated current RATED_CURRENT_MAX = 1.36 x K _C . The motor rated current can be increased above K _C up to a level not exceeding 1.36 x K _C . (Maximum motor rated current is the maximum normal duty current rating.) The actual level varies from one drive size to another, refer to Table 13-5.
DRIVE_CURRENT_MAX [9999.99A]	Maximum drive current The maximum drive current is the current at the over current trip level and is given by: DRIVE_CURRENT_MAX = K _C / 0.45
AC_VOLTAGE_SET_MAX [690V]	Maximum output voltage set-point Defines the maximum motor voltage that can be selected. 200V drives: 240V, 400V drives: 480V 575V drives: 575V, 690V drives: 690V
AC_VOLTAGE_MAX [930V]	Maximum AC output voltage This maximum has been chosen to allow for maximum AC voltage that can be produced by the drive including quasi-square wave operation as follows: AC_VOLTAGE_MAX = 0.78 x DC_VOLTAGE_MAX 200V drives: 325V, 400V drives: 650V, 575V drives: 780V, 690V drives: 930V
DC_VOLTAGE_SET_MAX [1150V]	Maximum DC voltage set-point 200V rating drive: 0 to 400V, 400V rating drive: 0 to 800V 575V rating drive: 0 to 955V, 690V rating drive: 0 to 1150V
DC_VOLTAGE_MAX [1190V]	Maximum DC bus voltage The maximum measurable DC bus voltage. 200V drives: 415V, 400V drives: 830V, 575V drives: 990V, 690V drives: 1190V

Maximum	Definition
MOTOR1_CURRENT_LIMIT_MAX [1000.0%]	<p>Maximum current limit settings for motor map 1 This maximum current limit setting is the maximum applied to the current limit parameters in motor map 1.</p> <p>Open Loop</p> $\text{Maximum current limit} = \frac{\sqrt{\left[\left[\frac{\text{Maximum current}}{\text{Motor rated current}}\right]^2 + \text{PF}^2 - 1\right]}}{\text{PF}} \times 100\%$ <p>Where: The Maximum current is either (1.5 x K_C) when the motor rated current set in Pr 5.07 is less than or equal to the maximum Heavy Duty current rating given by Pr 11.32, otherwise it is (1.1 x Normal Duty rating). Motor rated current is given by Pr 5.07 PF is motor rated power factor given by Pr 5.10</p> <p>Closed Loop vector</p> $\text{Maximum current limit} = \frac{\sqrt{\left[\left[\frac{\text{Maximum current}}{\text{Motor rated current}}\right]^2 + \cos(\varphi_1)^2 - 1\right]}}{\cos(\varphi_1)} \times 100\%$ <p>Where: The Maximum current is either (1.75 x K_C) when the motor rated current set in Pr 5.07 is less than or equal to the maximum Heavy Duty current rating given by Pr 11.32, otherwise it is (1.1 x Normal Duty rating). Motor rated current is given by Pr 5.07 $\varphi_1 = \cos^{-1}(\text{PF}) - \varphi_2$. This is measured by the drive during an autotune. See Menu 4 in the <i>Advanced User Guide</i> for more information regarding φ_2. PF is motor rated power factor given by Pr 5.10</p> <p>Servo</p> $\text{Maximum current limit} = \left[\frac{\text{Maximum current}}{\text{Motor rated current}}\right] \times 100\%$ <p>Where: The Maximum current is either (1.75 x K_C) when the motor rated current set in Pr 5.07 is less than or equal to the maximum Heavy Duty current rating given by Pr 11.32, otherwise it is (1.1 x Normal Duty rating). Motor rated current is given by Pr 5.07</p>
MOTOR2_CURRENT_LIMIT_MAX [1000.0%]	<p>Maximum current limit settings for motor map 2 This maximum current limit setting is the maximum applied to the current limit parameters in motor map 2. The formulae for MOTOR2_CURRENT_LIMIT_MAX are the same for MOTOR1_CURRENT_LIMIT_MAX except that Pr 5.07 is replaced with Pr 21.07 and Pr 5.10 is replaced with Pr 21.10.</p>
TORQUE_PROD_CURRENT_MAX [1000.0%]	<p>Maximum torque producing current This is used as a maximum for torque and torque producing current parameters. It is MOTOR1_CURRENT_LIMIT_MAX or MOTOR2_CURRENT_LIMIT_MAX depending on which motor map is currently active.</p>
USER_CURRENT_MAX [1000.0%]	<p>Current parameter limit selected by the user The user can select a maximum for Pr 4.08 (torque reference) and Pr 4.20 (percentage load) to give suitable scaling for analog I/O with Pr 4.24. This maximum is subject to a limit of MOTOR1_CURRENT_LIMIT_MAX or MOTOR2_CURRENT_LIMIT_MAX depending on which motor map is currently active. USER_CURRENT_MAX = Pr 4.24</p>
POWER_MAX [9999.99kW]	<p>Maximum power in kW The maximum power has been chosen to allow for the maximum power that can be output by the drive with maximum AC output voltage, maximum controlled current and unity power factor. Therefore: Software V01.07.01 and earlier: POWER_MAX = $\sqrt{3} \times \text{AC_VOLTAGE_MAX} \times \text{RATED_CURRENT} \times 1.75$ Software V01.08.00 and later: POWER_MAX = $\sqrt{3} \times \text{AC_VOLTAGE_MAX} \times \text{DRIVE_CURRENT_MAX}$</p>

The values given in square brackets indicate the absolute maximum value allowed for the variable maximum.

Table 13-5 Maximum motor rated current

Model	K_c	Maximum Heavy Duty current rating (Pr 11.32) A	Maximum Normal Duty current rating A
SPMD12X1	133.7	156	192
SPMD12X2	164.5	192	248
SPMD12X3	214.2	250	312
SPMD12X4	248.5	290	350
SPMA14X1	154.2	180	202
SPMA14X2	180.0	210	236
SPMD14X1	154.2	180	202
SPMD14X2	180.0	210	236
SPMD14X3	205.7	240	290
SPMD14X4	248.5	290	330
SPMA16X1	85.7	100	125
SPMA16X2	107.1	125	144
SPMD16X1	85.7	100	125
SPMD16X2	107.1	125	144
SPMD16X3	123.4	144	168
SPMD16X4	144.0	168	192

Up to 10 SPMAXXXX or SPMDXXXX drive modules can be connected in parallel to make a larger drive, provided all power modules are of the same type, and have the same voltage and current ratings. The currents are then defined as follows:

Current scaling (K_c)

K_c is the sum of K_c for all the modules.

Maximum Heavy Duty current rating

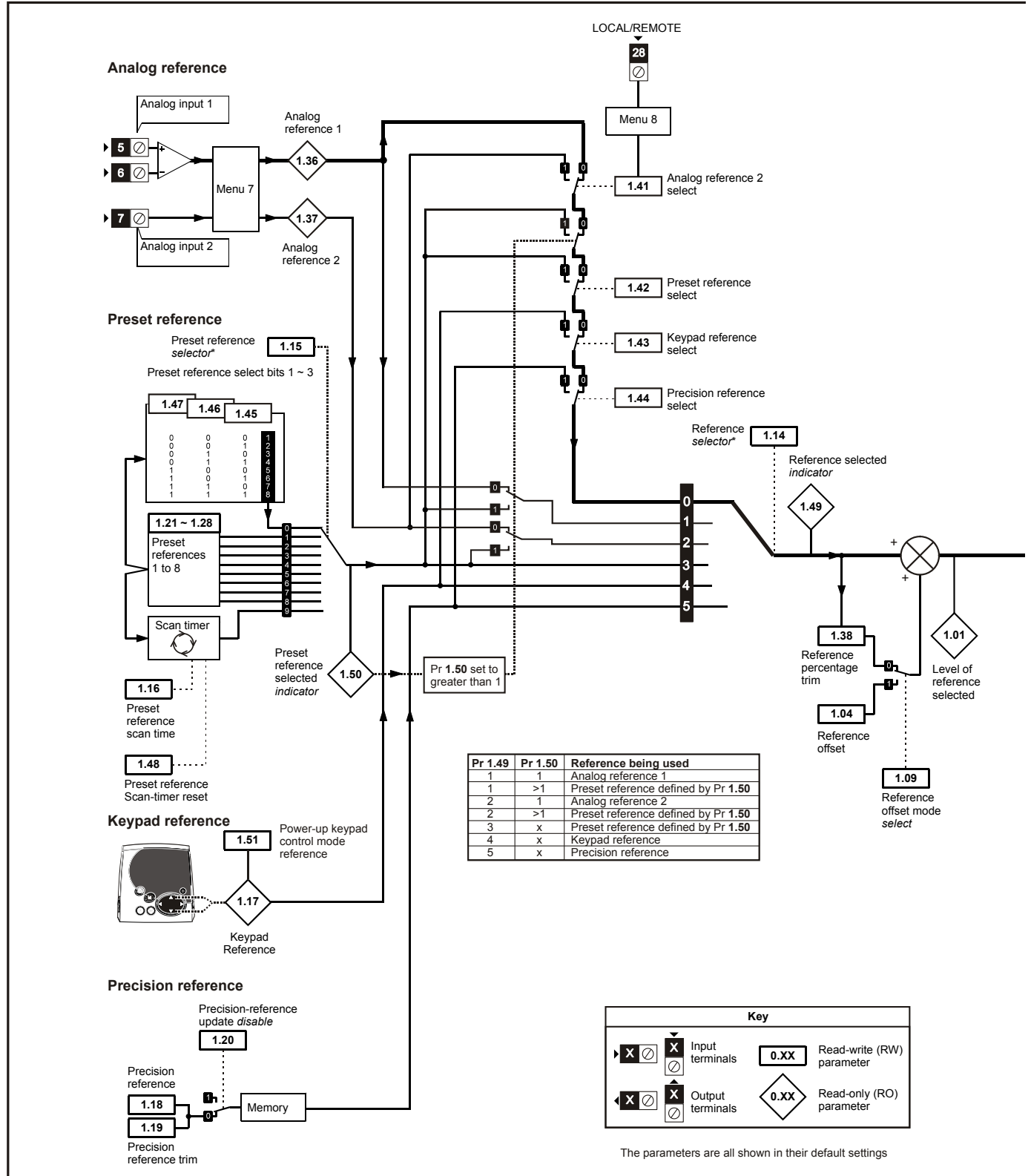
Maximum Heavy Duty current rating = 0.95 x the sum of maximum Heavy Duty current rating for all the modules.

Maximum Normal Duty rated current

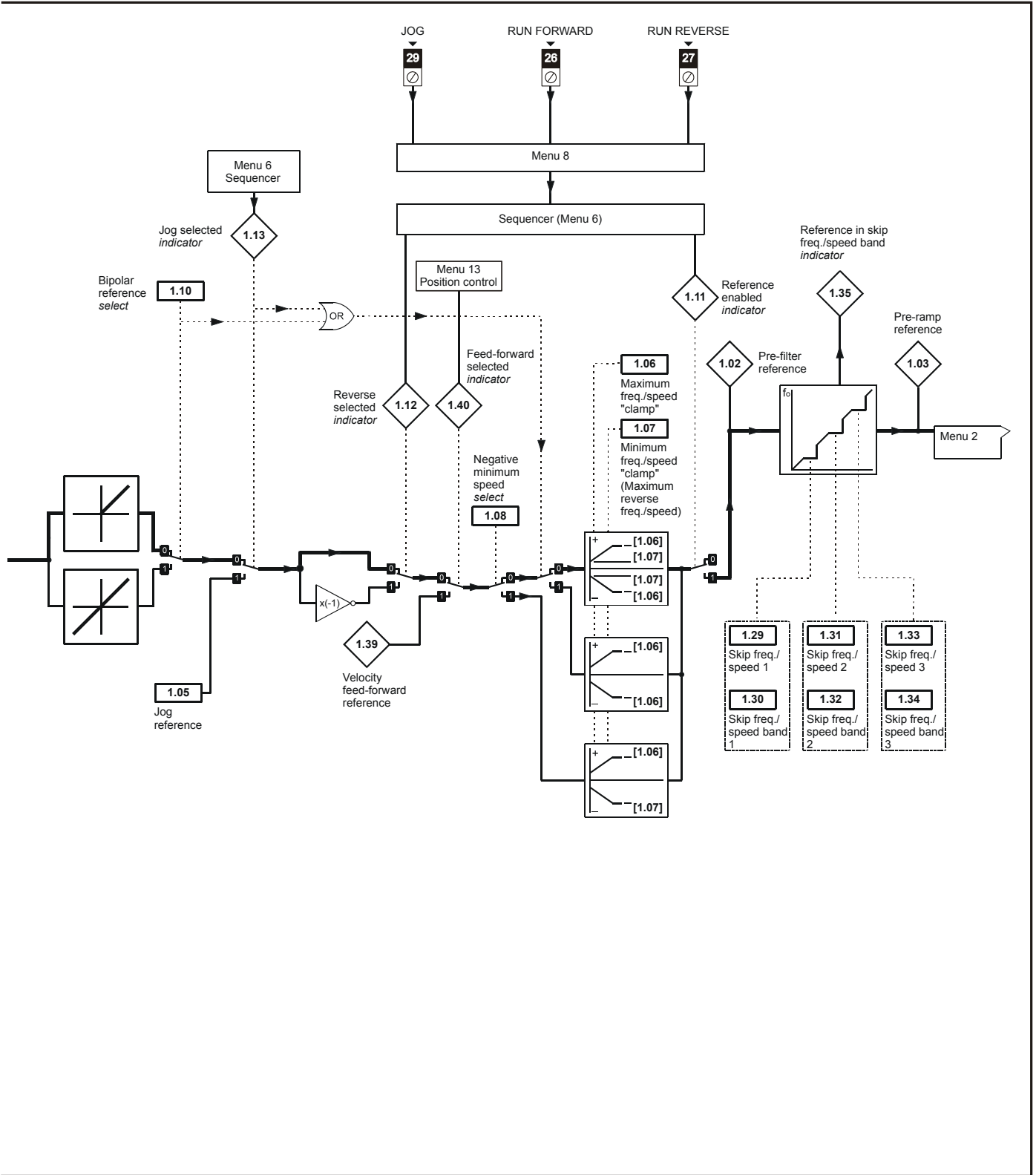
Maximum Normal Duty rated current = 0.95 x the sum of maximum Normal Duty rated current for all the modules.

13.1 Menu 1: Frequency / speed reference

Figure 13-1 Menu 1 logic diagram



*For more information, refer to section 13.21.1 Reference modes on page 254

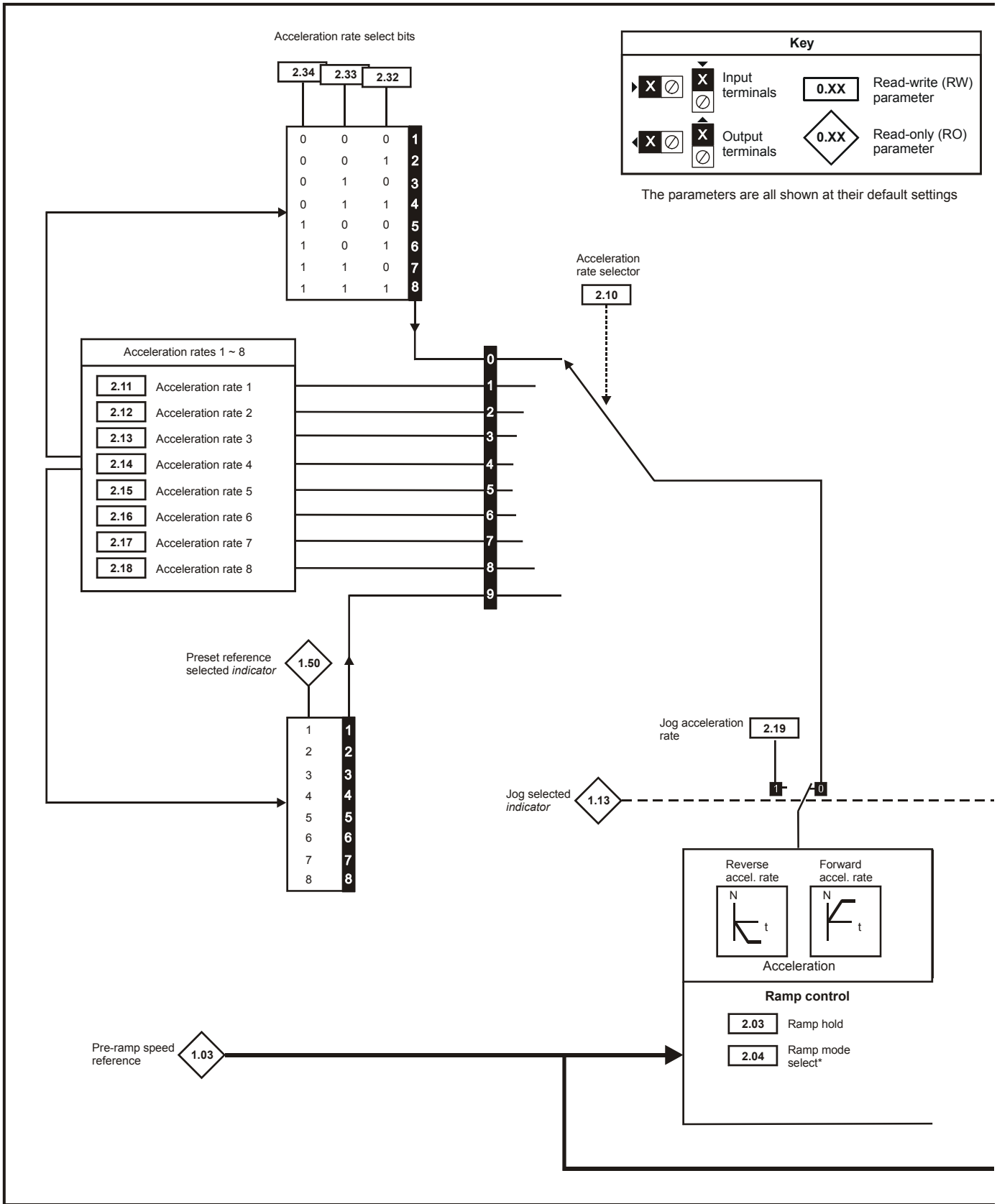


Parameter	Range(⇅)		Default(⇔)			Type									
	OL	CL	OL	VT	SV										
1.01	Frequency / speed reference selected		±SPEED_FREQ_MAX Hz/rpm							RO	Bi		NC	PT	
1.02	Pre-skip filter reference		±SPEED_FREQ_MAX Hz/rpm							RO	Bi		NC	PT	
1.03	Pre-ramp reference		±SPEED_FREQ_MAX Hz/rpm							RO	Bi		NC	PT	
1.04	Reference offset		±3,000.0Hz	±40,000.0 rpm	0.0					RW	Bi				US
1.05	Jog reference {0.23}		0 to 400.0 Hz	0 to 4,000.0 rpm	0.0					RW	Uni				US
1.06	Maximum reference clamp {0.02}		0 to 3,000.0 Hz	SPEED_LIMIT_MAX rpm	EUR> 50.0 USA> 60.0	EUR> 1,500.0 USA> 1,800.0	3,000.0			RW	Uni				US
1.07	Minimum reference clamp {0.01}		±3,000.0 Hz	±SPEED_LIMIT_MAX rpm	0.0					RW	Bi			PT	US
1.08	Negative minimum reference clamp enable		OFF (0) or On (1)		OFF (0)					RW	Bit				US
1.09	Reference offset select		OFF (0) or On (1)		OFF (0)					RW	Bit				US
1.10	Bipolar reference enable {0.22}		OFF (0) or On (1)		OFF (0)					RW	Bit				US
1.11	Reference enabled indicator		OFF (0) or On (1)							RO	Bit		NC	PT	
1.12	Reverse selected indicator		OFF (0) or On (1)							RO	Bit		NC	PT	
1.13	Jog selected indicator		OFF (0) or On (1)							RO	Bit		NC	PT	
1.14	Reference selector {0.05}		A1.A2 (0), A1.Pr (1), A2.Pr (2), Pr (3), PAD (4), Prc (5)		A1.A2 (0)					RW	Txt				US
1.15	Preset reference selector		0 to 9		0					RW	Uni				US
1.16	Preset reference selector timer		0 to 400.0s		10.0					RW	Uni				US
1.17	Keypad control mode reference		±SPEED_FREQ_MAX Hz/rpm		0.0					RO	Bi		NC	PT	PS
1.18	Precision reference coarse		±SPEED_FREQ_MAX Hz/rpm		0.0					RW	Bi				US
1.19	Precision reference fine		0.000 to 0.099 Hz	0.000 to 0.099 rpm	0.000					RW	Uni				US
1.20	Precision reference update disable		OFF (0) or On (1)		OFF (0)					RW	Bit		NC		
1.21	Preset reference 1 {0.24}		±SPEED_FREQ_MAX Hz/rpm		0.0					RW	Bi				US
1.22	Preset reference 2 {0.25}		±SPEED_FREQ_MAX Hz/rpm		0.0					RW	Bi				US
1.23	Preset reference 3 {0.26}		±SPEED_FREQ_MAX Hz/rpm		0.0					RW	Bi				US
1.24	Preset reference 4 {0.27}		±SPEED_FREQ_MAX Hz/rpm		0.0					RW	Bi				US
1.25	Preset reference 5		±SPEED_FREQ_MAX Hz/rpm		0.0					RW	Bi				US
1.26	Preset reference 6		±SPEED_FREQ_MAX Hz/rpm		0.0					RW	Bi				US
1.27	Preset reference 7		±SPEED_FREQ_MAX Hz/rpm		0.0					RW	Bi				US
1.28	Preset reference 8		±SPEED_FREQ_MAX Hz/rpm		0.0					RW	Bi				US
1.29	Skip reference 1		0.0 to 3,000.0 Hz	0 to 40,000 rpm	0.0	0				RW	Uni				US
1.30	Skip reference band 1		0.0 to 25.0 Hz	0 to 250 rpm	0.5	5				RW	Uni				US
1.31	Skip reference 2		0.0 to 3,000.0 Hz	0 to 40,000 rpm	0.0	0				RW	Uni				US
1.32	Skip reference band 2		0.0 to 25.0 Hz	0 to 250 rpm	0.5	5				RW	Uni				US
1.33	Skip reference 3		0.0 to 3,000.0 Hz	0 to 40,000 rpm	0.0	0				RW	Uni				US
1.34	Skip reference band 3		0.0 to 25.0Hz	0 to 250 rpm	0.5	5				RW	Uni				US
1.35	Reference in rejection zone		OFF (0) or On (1)							RO	Bit		NC	PT	
1.36	Analog reference 1		±SPEED_FREQ_MAX Hz/rpm							RO	Bi		NC		
1.37	Analog reference 2		±SPEED_FREQ_MAX Hz/rpm							RO	Bi		NC		
1.38	Percentage trim		±100.00%		0.00					RW	Bi		NC		
1.39	Velocity feed-forward		±3,000.0 Hz	±40,000.0 rpm						RO	Bi		NC	PT	
1.40	Velocity feed-forward select		OFF (0) or On (1)							RO	Bit		NC	PT	
1.41	Analog reference 2 select		OFF (0) or On (1)		OFF (0)					RW	Bit		NC		
1.42	Preset reference select		OFF (0) or On (1)		OFF (0)					RW	Bit		NC		
1.43	Keypad reference select		OFF (0) or On (1)		OFF (0)					RW	Bit		NC		
1.44	Precision reference select		OFF (0) or On (1)		OFF (0)					RW	Bit		NC		
1.45	Preset reference 1 select		OFF (0) or On (1)		OFF (0)					RW	Bit		NC		
1.46	Preset reference 2 select		OFF (0) or On (1)		OFF (0)					RW	Bit		NC		
1.47	Preset reference 3 select		OFF (0) or On (1)		OFF (0)					RW	Bit		NC		
1.48	Reference timer reset flag		OFF (0) or On (1)		OFF (0)					RW	Bit		NC		
1.49	Reference selected indicator		1 to 5							RO	Uni		NC	PT	
1.50	Preset reference selected indicator		1 to 8							RO	Uni		NC	PT	
1.51	Power-up keyboard control mode reference		rESEt (0), LAsT (1), PrS1 (2)		rESEt (0)					RW	Txt				US

RW	Read / Write	RO	Read only	Uni	Unipolar	Bi	Bi-polar	Bit	Bit parameter	Txt	Text string				
FI	Filtered	DE	Destination	NC	Not copied	RA	Rating dependent	PT	Protected	US	User save	PS	Power down save		

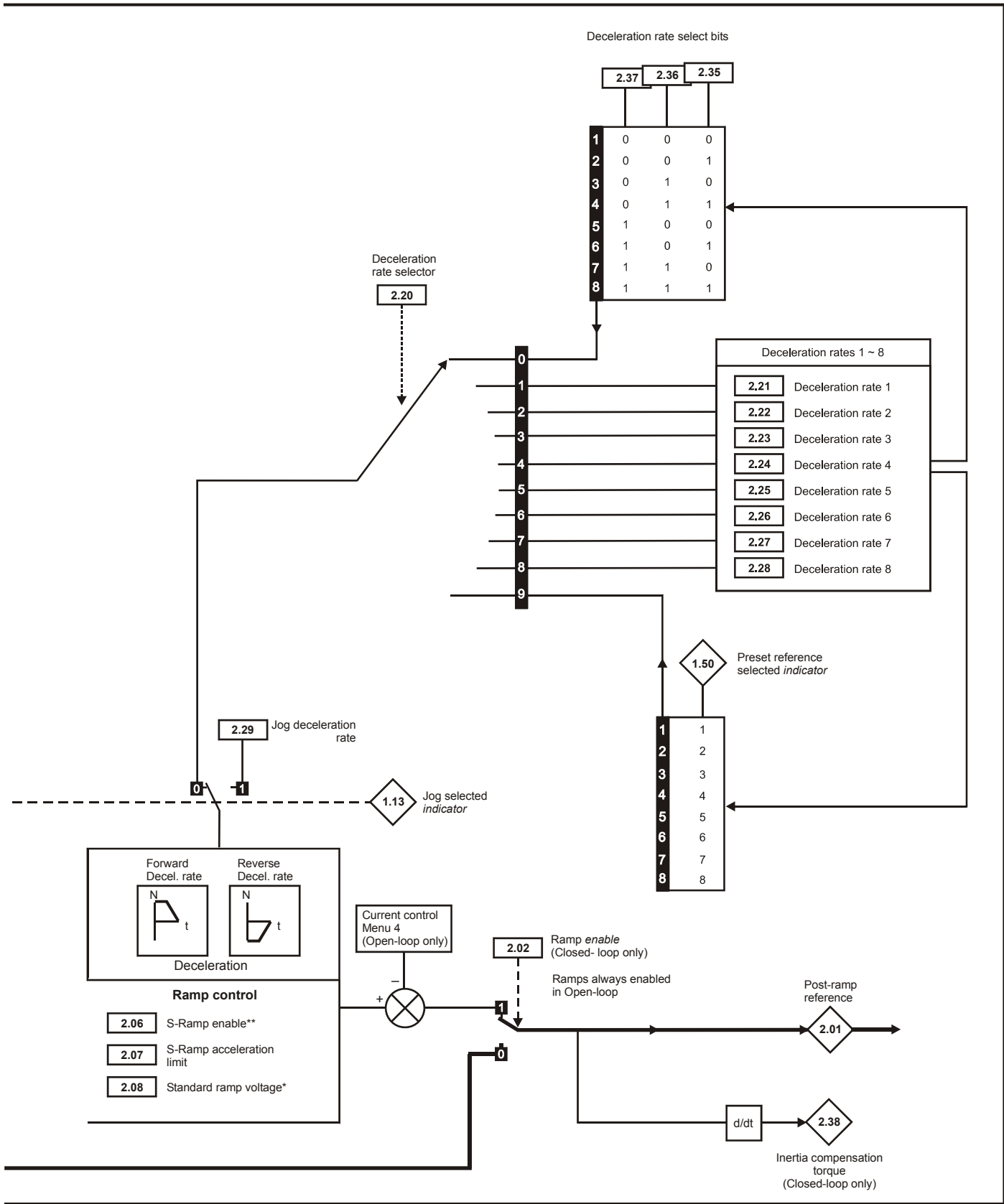
13.2 Menu 2: Ramps

Figure 13-2 Menu 2 logic diagram



*For more information, refer to section 13.21.2 *Braking Modes* on page 255.

**For more information, refer to section 13.21.3 *S ramps* on page 255.



Parameter	Range(⇅)		Default(⇔)			Type							
	OL	CL	OL	VT	SV								
2.01	Post ramp reference	±SPEED_FREQ_MAX Hz/rpm					RO	Bi		NC	PT		
2.02	Ramp enable	{0.16}	OFF (0) or On (1)		On (1)			RW	Bit				US
2.03	Ramp hold	OFF (0) or On (1)		OFF (0)			RW	Bit					US
2.04	Ramp mode select	{0.15}	FAST (0) Std (1) Std.hV (2)	FAST (0) Std (1)	Std (1)			RW	Txt				US
2.06	S ramp enable	OFF (0) or On (1)		OFF (0)			RW	Bit					US
2.07	S ramp acceleration limit	0.0 to 300.0 s ² /100Hz	0.000 to 100.000 s ² /1000rpm		3.1	1.500	0.030	RW	Uni				US
2.08	Standard ramp voltage	0 to DC_VOLTAGE_SET_MAX V		200V drive: 375 400V drive: EUR> 750 USA> 775 575V drive: 895 690V drive: 1075			RW	Uni		RA			US
2.10	Acceleration rate selector	0 to 9		0			RW	Uni					US
2.11	Acceleration rate 1	{0.03}	0.0 to 3,200.0 s/100Hz	0.000 to 3,200.000 s/1,000rpm	5.0	2.000	0.200	RW	Uni				US
2.12	Acceleration rate 2		0.0 to 3,200.0 s/100Hz	0.000 to 3,200.000 s/1,000rpm	5.0	2.000	0.200	RW	Uni				US
2.13	Acceleration rate 3		0.0 to 3,200.0 s/100Hz	0.000 to 3,200.000 s/1,000rpm	5.0	2.000	0.200	RW	Uni				US
2.14	Acceleration rate 4		0.0 to 3,200.0 s/100Hz	0.000 to 3,200.000 s/1,000rpm	5.0	2.000	0.200	RW	Uni				US
2.15	Acceleration rate 5		0.0 to 3,200.0 s/100Hz	0.000 to 3,200.000 s/1,000rpm	5.0	2.000	0.200	RW	Uni				US
2.16	Acceleration rate 6		0.0 to 3,200.0 s/100Hz	0.000 to 3,200.000 s/1,000rpm	5.0	2.000	0.200	RW	Uni				US
2.17	Acceleration rate 7		0.0 to 3,200.0 s/100Hz	0.000 to 3,200.000 s/1,000rpm	5.0	2.000	0.200	RW	Uni				US
2.18	Acceleration rate 8		0.0 to 3,200.0 s/100Hz	0.000 to 3,200.000 s/1,000rpm	5.0	2.000	0.200	RW	Uni				US
2.19	Jog acceleration rate		0.0 to 3,200.0 s/100Hz	0.000 to 3,200.000 s/1,000rpm	0.2	0.000		RW	Uni				US
2.20	Deceleration rate selector	0 to 9		0			RW	Uni					US
2.21	Deceleration rate 1	{0.04}	0.0 to 3,200.0 s/100Hz	0.000 to 3,200.000 s/1,000rpm	10.0	2.000	0.200	RW	Uni				US
2.22	Deceleration rate 2		0.0 to 3,200.0 s/100Hz	0.000 to 3,200.000 s/1,000rpm	10.0	2.000	0.200	RW	Uni				US
2.23	Deceleration rate 3		0.0 to 3,200.0 s/100Hz	0.000 to 3,200.000 s/1,000rpm	10.0	2.000	0.200	RW	Uni				US
2.24	Deceleration rate 4		0.0 to 3,200.0 s/100Hz	0.000 to 3,200.000 s/1,000rpm	10.0	2.000	0.200	RW	Uni				US
2.25	Deceleration rate 5		0.0 to 3,200.0 s/100Hz	0.000 to 3,200.000 s/1,000rpm	10.0	2.000	0.200	RW	Uni				US
2.26	Deceleration rate 6		0.0 to 3,200.0 s/100Hz	0.000 to 3,200.000 s/1,000rpm	10.0	2.000	0.200	RW	Uni				US
2.27	Deceleration rate 7		0.0 to 3,200.0 s/100Hz	0.000 to 3,200.000 s/1,000rpm	10.0	2.000	0.200	RW	Uni				US
2.28	Deceleration rate 8		0.0 to 3,200.0 s/100Hz	0.000 to 3,200.000 s/1,000rpm	10.0	2.000	0.200	RW	Uni				US
2.29	Jog deceleration rate		0.0 to 3,200.0 s/100Hz	0.000 to 3,200.000 s/1,000rpm	0.2	0.000		RW	Uni				US
2.32	Acceleration select bit 0	OFF (0) or On (1)		OFF (0)			RW	Bit		NC			
2.33	Acceleration select bit 1	OFF (0) or On (1)		OFF (0)			RW	Bit		NC			
2.34	Acceleration select bit 2	OFF (0) or On (1)		OFF (0)			RW	Bit		NC			
2.35	Deceleration select bit 0	OFF (0) or On (1)		OFF (0)			RW	Bit		NC			
2.36	Deceleration select bit 1	OFF (0) or On (1)		OFF (0)			RW	Bit		NC			
2.37	Deceleration select bit 2	OFF (0) or On (1)		OFF (0)			RW	Bit		NC			
2.38	Inertia compensation torque			± 1,000.0 %			RO	Bi		NC	PT		

RW	Read / Write	RO	Read only	Uni	Unipolar	Bi	Bi-polar	Bit	Bit parameter	Txt	Text string		
FI	Filtered	DE	Destination	NC	Not copied	RA	Rating dependent	PT	Protected	US	User save	PS	Power down save

13.3 Menu 3: Frequency slaving, speed feedback and speed control

Figure 13-3 Menu 3 Open-loop logic diagram

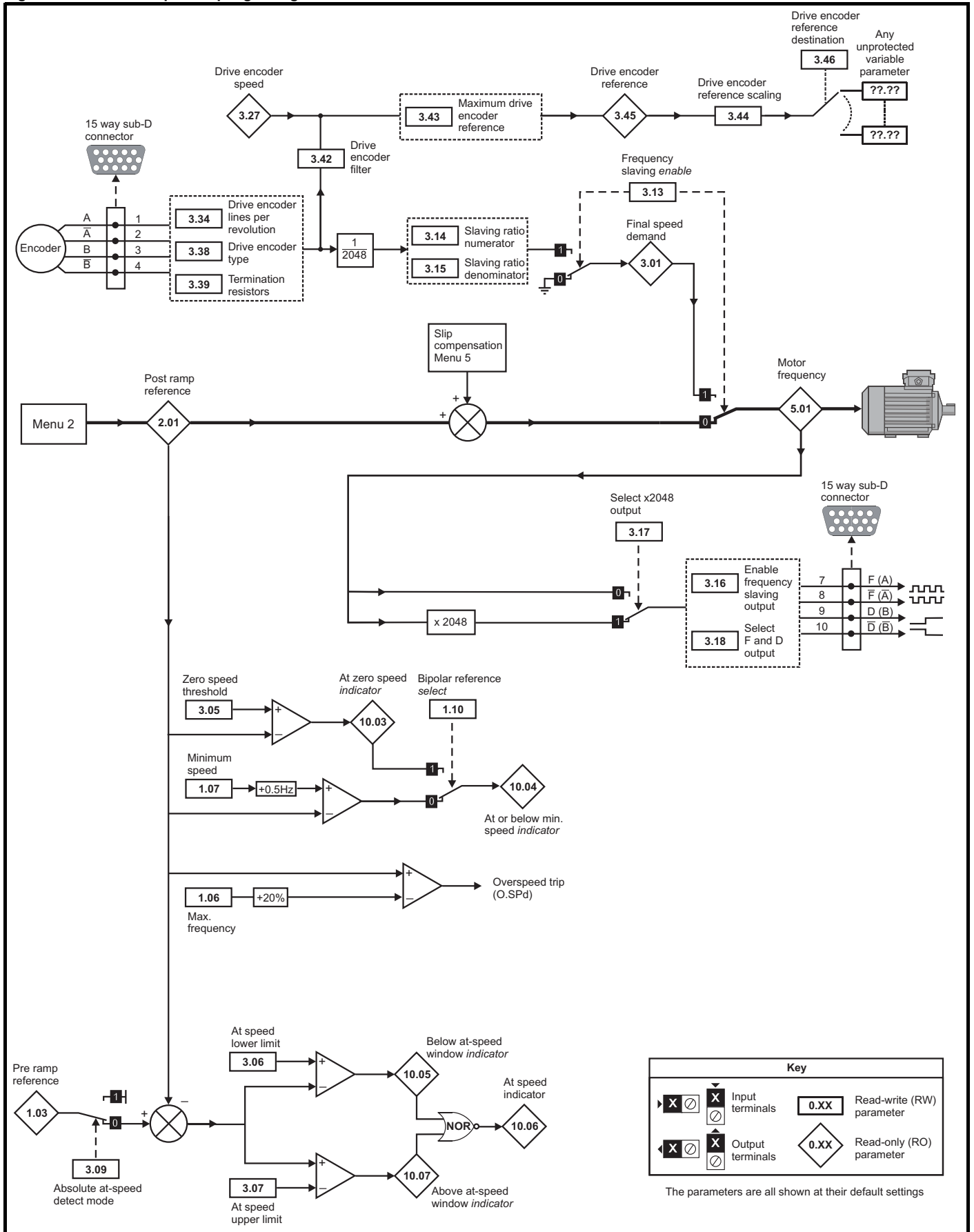
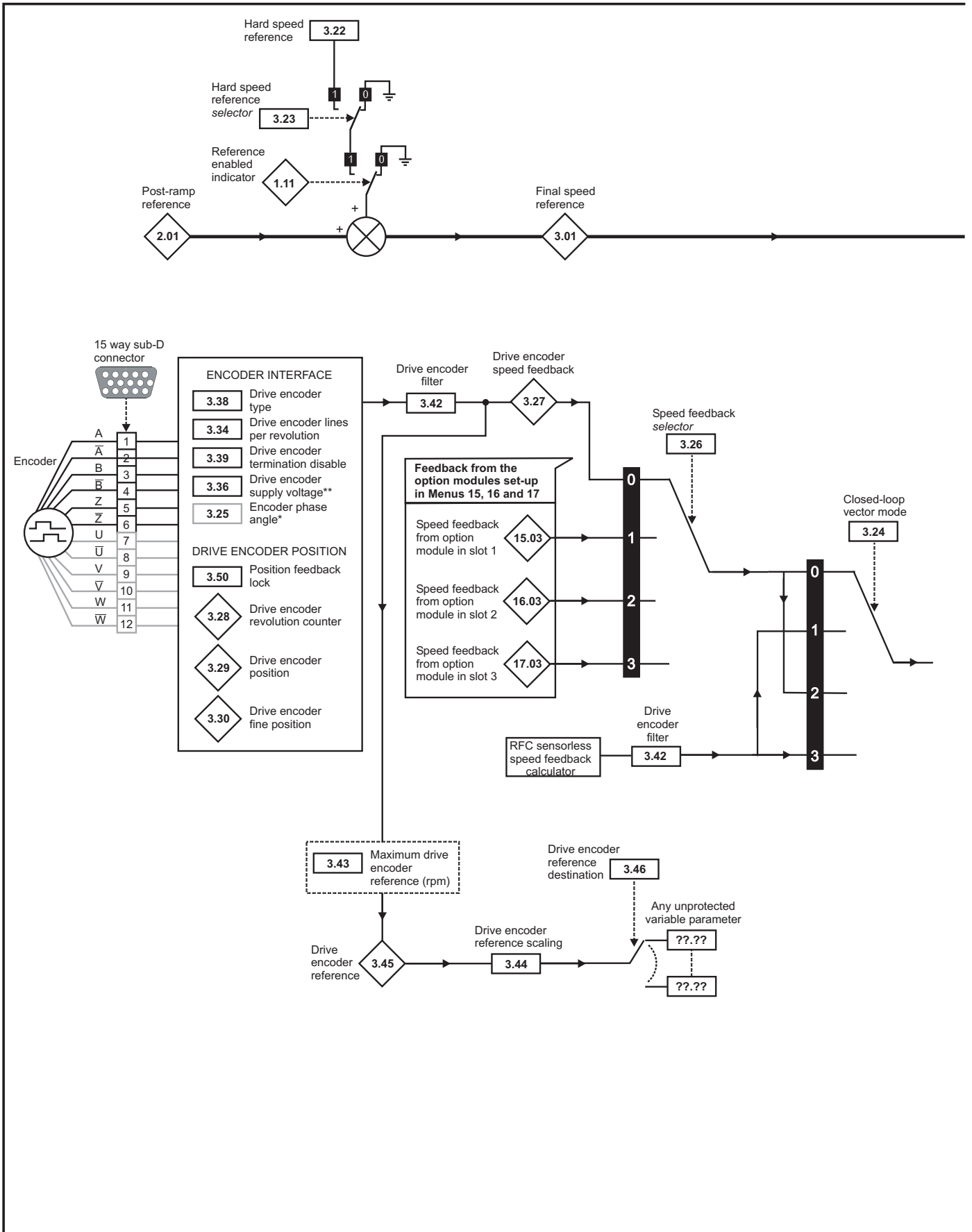
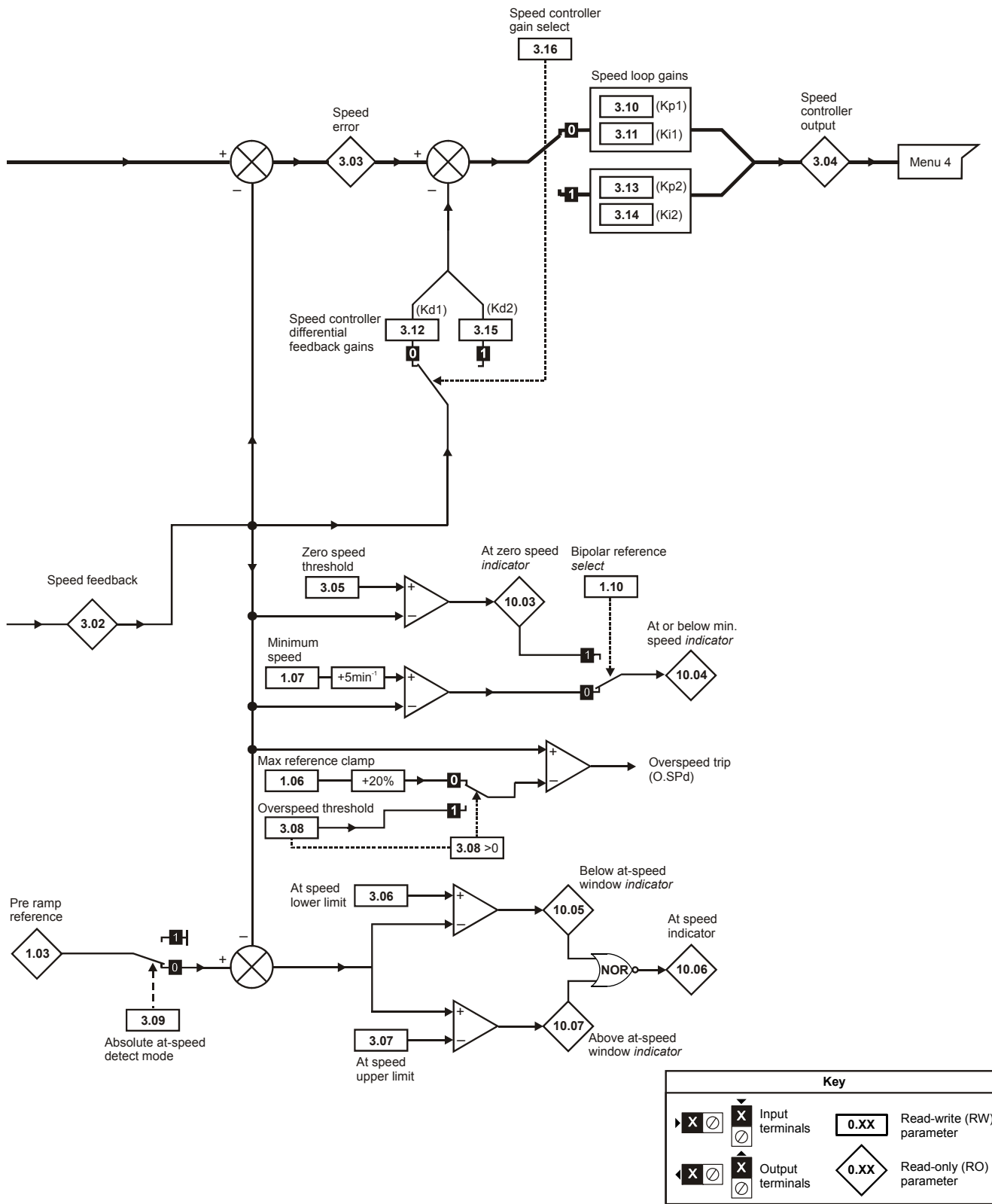


Figure 13-4 Menu 3 Closed loop logic diagram



NOTE **If output voltage from the encoder is >5V, then the termination resistors must be disabled Pr 3.39 to 0.



Parameter	Range(↕)		Default(⇔)			Type						
	OL	CL	OL	VT	SV							
3.01	OL> Frequency slaving demand	±1,000.0 Hz				RO	Bi	FI	NC	PT		
	CL> Final speed reference		±SPEED_MAX rpm			RO	Bi	FI	NC	PT		
3.02	Speed feedback {0.10}		±SPEED_MAX rpm			RO	Bi	FI	NC	PT		
3.03	Speed error		±SPEED_MAX rpm			RO	Bi	FI	NC	PT		
3.04	Speed controller output		±Torque_prod current_max %			RO	Bi	FI	NC	PT		
3.05	Zero speed threshold	0.0 to 20.0 Hz	0 to 200 rpm	1.0	5	RW	Uni					US
3.06	At speed lower limit	0.0 to 3,000.0 Hz	0 to 40,000 rpm	1.0	5	RW	Uni					US
3.07	At speed upper limit	0.0 to 3,000.0 Hz	0 to 40,000 rpm	1.0	5	RW	Uni					US
3.08	Overspeed threshold {0.26}		0 to 40,000 rpm		0	RW	Uni					US
3.09	Absolute 'at speed' detect	OFF (0) or On (1)		OFF (0)			RW	Bit				US
3.10	Speed controller proportional gain (Kp1) {0.07}		0.0000 to 6.5535 1/rad s ⁻¹		0.0300	0.0100	RW	Uni				US
3.11	Speed controller integral gain (Ki1) {0.08}		0.00 to 655.35 s/rad s ⁻¹		0.10	1.00	RW	Uni				US
3.12	Speed controller differential feedback gain (Kd1) {0.09}		0.00000 to 0.65535 s ⁻¹ /rad s ⁻¹		0.00000		RW	Uni				US
3.13	OL> Enable frequency slaving	OFF (0) or On (1)		OFF (0)			RW	Bit				US
	CL> Speed controller proportional gain (Kp2)		0.0000 to 6.5535 1/rad s ⁻¹		0.0300	0.0100	RW	Uni				US
3.14	OL> Slaving ratio numerator	0.000 to 1.000		1.000			RW	Uni				US
	CL> Speed controller integral gain (Ki2)		0.00 to 655.35 1/rad		0.10	1.00	RW	Uni				US
3.15	OL> Slaving ratio denominator	0.001 to 1.000		1.000			RW	Uni				US
	CL> Speed controller differential feedback gain (Kd2)		0.00000 to 0.65535 s		0.00000		RW	Uni				US
3.16	OL> Enable frequency slaving output	OFF (0) or On (1)		OFF (0)			RW	Bit				US
	CL> Speed controller gain select		OFF (0) or On (1)		OFF (0)		RW	Bit				US
3.17	OL> Select x2048 output	OFF (0) or On (1)		On (1)			RW	Bit				US
	CL> Speed controller set-up method		0 to 3		0		RW	Uni				US
3.18	OL> Select F and D frequency slaving output	OFF (0) or On (1)		OFF (0)			RW	Bit				US
	CL> Motor and load inertia		0.00010 to 90.00000 kg m ²		0.00000		RW	Uni				US
3.19	Compliance angle		0.0 to 359.9 °		4.0		RW	Uni				US
3.20	Bandwidth		0 to 255 Hz		10		RW	Uni				US
3.21	Damping factor		0.0 to 10.0		1.0		RW	Uni				US
3.22	Hard speed reference		±SPEED_FREQ_MAX rpm		0.0		RW	Bi				US
3.23	Hard speed reference selector		OFF (0) or On (1)		OFF (0)		RW	Bit				US
3.24	Closed-loop vector mode		VT> 0 to 3		0		RW	Uni				US
3.25	Encoder phase angle* {0.43}		SV> 0.0 to 359.9 °			0.0	RW	Uni				US
3.26	Speed feedback selector		drv (0), SSlot1 (1), SSlot2 (2), SSlot3 (3)		drv (0)		RW	Txt				US
3.27	Drive encoder speed feedback	±40,000.0 rpm					RO	Bi	FI	NC	PT	
3.28	Drive encoder revolution counter	0 to 65,535 revolutions					RO	Uni	FI	NC	PT	
3.29	Drive encoder position {0.11}	0 to 65,535 1/2 ¹⁶ ths of a revolution					RO	Uni	FI	NC	PT	
3.30	Drive encoder fine position	0 to 65,535 1/2 ³² nds of a revolution					RO	Uni	FI	NC	PT	
3.31	Drive encoder marker position reset disable	OFF (0) or On (1)			OFF (0)		RW	Bit				US
3.32	Drive encoder marker flag	OFF (0) or On (1)			OFF (0)		RW	Bit		NC		
3.33	Drive encoder turn bits / Linear encoder comms to sine wave ratio	0 to 255			16		RW	Uni				US
3.34	Drive encoder lines per revolution {0.27}	0 to 50,000			1024	4096	RW	Uni				US
3.35	Drive encoder single turn comms bits / Linear encoder comms bits / Marker mode	0 to 32 bits			0		RW	Uni				US
3.36	Drive encoder supply voltage**	5V (0), 8V (1), 15V (2)			5V (0)		RW	Txt				US
3.37	Drive encoder comms baud rate	100 (0), 200 (1), 300 (2), 400 (3), 500 (4), 1000 (5), 1500 (6), 2000 (7) kBaud			300 (2)		RW	Txt				US
3.38	Drive encoder type	Ab (0), Fd (1), Fr (2), Ab.SErvo (3), Fd.SErvo (4), Fr.SErvo (5), SC (6), SC.Hiper (7), EndAt (8), SC.EndAt (9), SSI (10), SC.SSI (11)			Ab (0)	Ab.SErvo (3)	RW	Txt				US
3.39	Drive encoder termination select / Rotary encoder select / Comms only encoder mode	0 to 2			1		RW	Uni				US
3.40	Drive encoder error detection level	Bit 0 (LSB) = Wire break detect Bit 1 = Phase error detect Bit 2 (MSB) = SSI power supply bit monitor Value is binary sum			0	1	RW	Uni				US
3.41	Drive encoder auto-configuration / SSI binary format select	OFF (0) or On (1)			OFF (0)		RW	Bit				US

Parameter	Range(⇅)		Default(⇔)			Type						
	OL	CL	OL	VT	SV	RW	Txt	FI	NC	PT	US	
3.42 Drive encoder filter	0 (0), 1 (1), 2 (2), 4 (3), 8 (4), 16 (5) ms		0			RW	Txt					US
3.43 Maximum drive encoder reference	0 to 40,000 rpm		1500		3000	RW	Uni					US
3.44 Drive encoder reference scaling	0.000 to 4.000		1.000			RW	Uni					US
3.45 Drive encoder reference	±100.0%					RO	Bi	FI	NC	PT		
3.46 Drive encoder reference destination	Pr 0.00 to 21.50		Pr 0.00			RW	Uni		DE	PT		US
3.47 Re-initialise position feedback	OFF (0) or On (1)		OFF (0)			RW	Bit		NC			
3.48 Position feedback initialised	OFF (0) or On (1)					RO	Bit		NC	PT		
3.49 Full motor object electronic nameplate transfer	OFF (0) or On (1)		OFF (0)			RW	Bit					US
3.50 Position feedback lock	OFF (0) or On (1)		OFF (0)			RW	Bit		NC			

RW	Read / Write	RO	Read only	Uni	Unipolar	Bi	Bi-polar	Bit	Bit parameter	Txt	Text string		
FI	Filtered	DE	Destination	NC	Not copied	RA	Rating dependent	PT	Protected	US	User save	PS	Power down save



***Encoder phase angle (servo mode only)**

With drive software version V01.08.00 onwards, the encoder phase angles in Pr **3.25** and Pr **21.20** are copied to the SMARTCARD when using any of the SMARTCARD transfer methods.

With drive software version V01.05.00 to V01.07.01, the encoder phase angles in Pr **3.25** and Pr **21.20** are only copied to the SMARTCARD when using either Pr **0.30** set to Prog (2) or Pr **xx.00** set to 3yyy.

This is useful when the SMARTCARD is used to back-up the parameter set of a drive but caution should be used if the SMARTCARD is used to transfer parameter sets between drives. Unless the encoder phase angle of the servo motor connected to the destination drive is known to be the same as the servo motor connected to the source drive, an autotune should be performed or the encoder phase angle should be entered manually into Pr **3.25** (or Pr **21.20**). If the encoder phase angle is incorrect the drive may lose control of the motor resulting in an O.SPd or Enc10 trip when the drive is enabled.

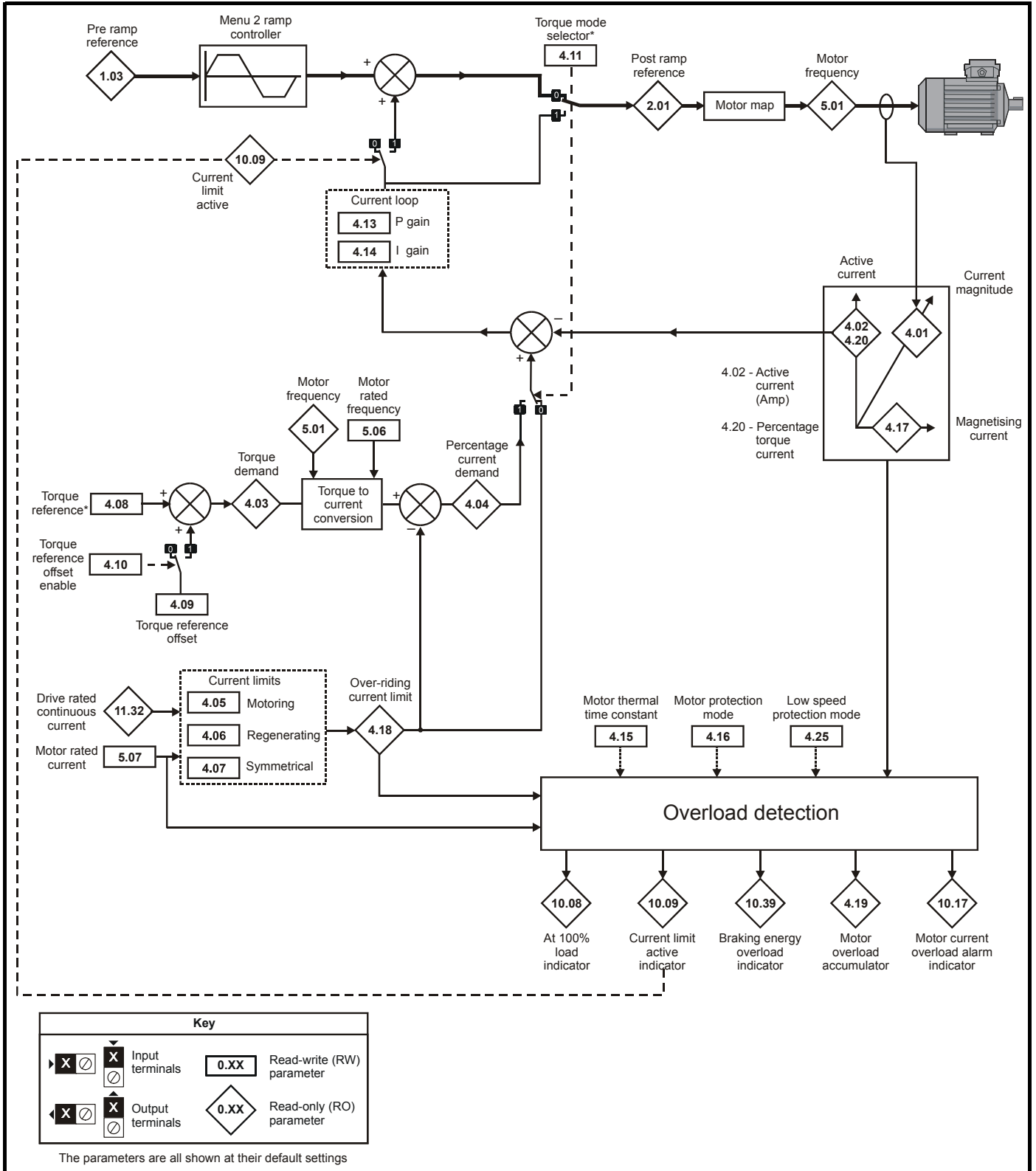
With drive software version V01.04.00 and earlier, or when using software version V01.05.00 to V01.07.01 and Pr **xx.00** set to 4yyy is used, then the encoder phase angles in Pr **3.25** and Pr **21.20** are not copied to the SMARTCARD. Therefore, Pr **3.25** and Pr **21.20** in the destination would not be changed during a transfer of this data block from the SMARTCARD.

NOTE

If output voltage from the encoder is >5V, then the termination resistors must be disabled Pr **3.39 to 0.

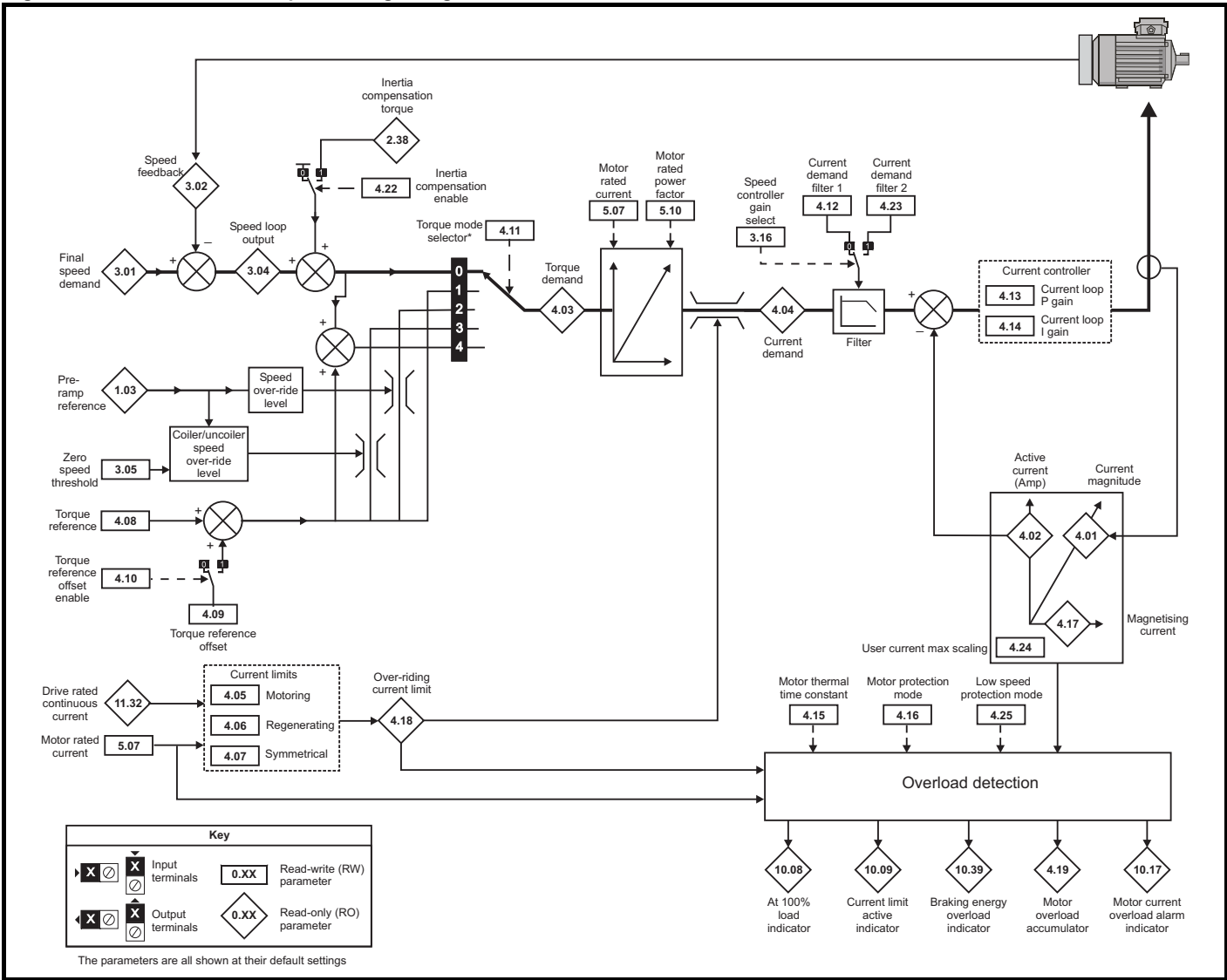
13.4 Menu 4: Torque and current control

Figure 13-5 Menu 4 Open loop logic diagram



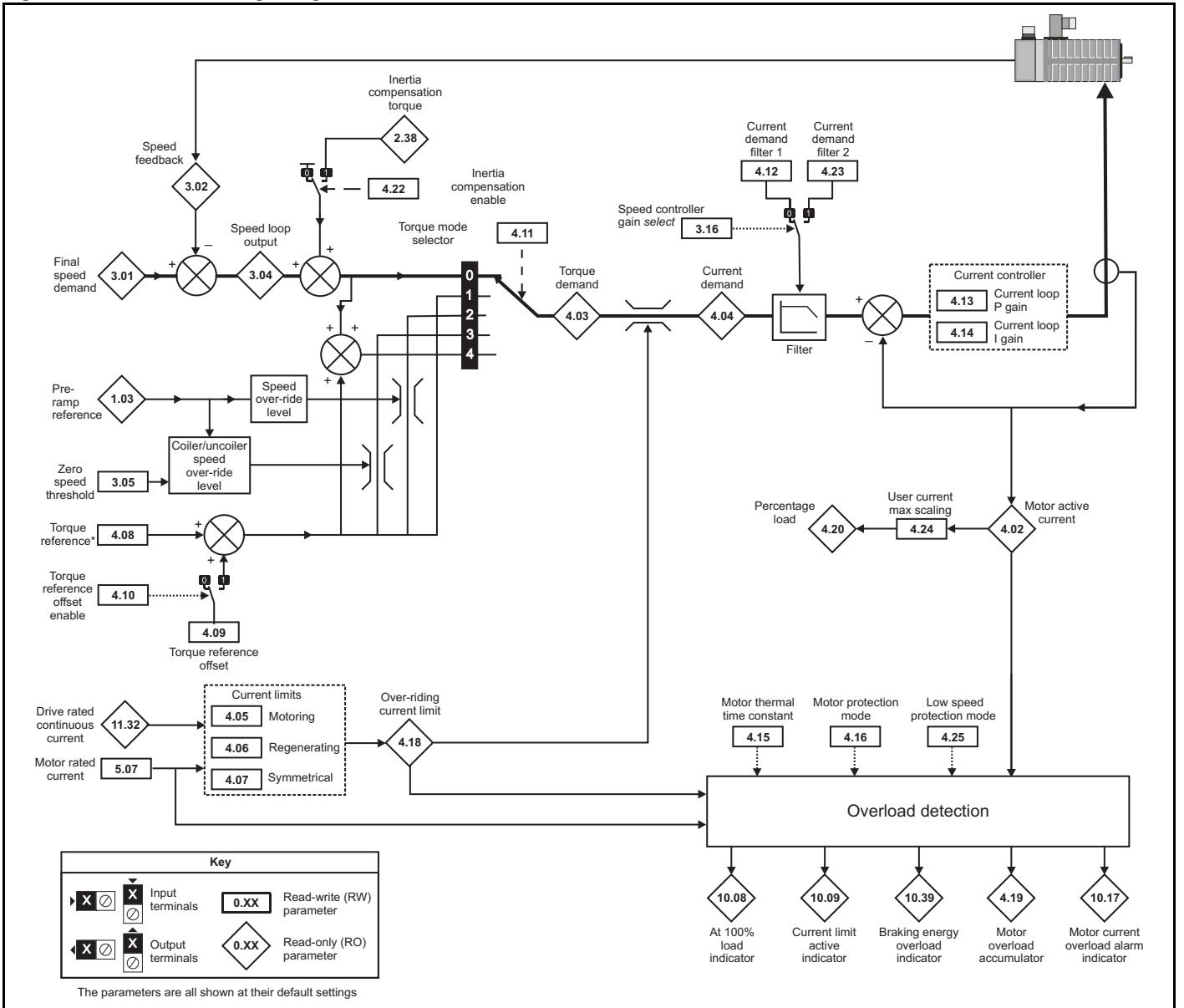
For more information, refer to section 13.21.4 Torque modes on page 256.

Figure 13-6 Menu 4 Closed-loop vector logic diagram



*For more information, refer to section 13.21.4 Torque modes on page 256.

Figure 13-7 Menu 4 Servo logic diagram



*For more information, refer to section 13.21.4 Torque modes on page 256.

Parameter	Range(⇅)		Default(⇄)			Type									
	OL	CL	OL	VT	SV										
4.01	Current magnitude	{0.12}	0 to DRIVE_CURRENT_MAX A								RO	Uni	FI	NC	PT
4.02	Active current	{0.13}	±DRIVE_CURRENT_MAX A								RO	Bi	FI	NC	PT
4.03	Torque demand		±TORQUE_PROD_CURRENT_MAX %								RO	Bi	FI	NC	PT
4.04	Current demand		±TORQUE_PROD_CURRENT_MAX %								RO	Bi	FI	NC	PT
4.05	Motoring current limit		0 to MOTOR1_CURRENT_LIMIT_MAX %			138.1	165.7	150.0			RW	Uni		RA	US
4.06	Regen current limit		0 to MOTOR1_CURRENT_LIMIT_MAX %			138.1	165.7	150.0			RW	Uni		RA	US
4.07	Symmetrical current limit	{0.06}	0 to MOTOR1_CURRENT_LIMIT_MAX %			138.1	165.7	150.0			RW	Uni		RA	US
4.08	Torque reference		±USER_CURRENT_MAX %			0.00					RW	Bi			US
4.09	Torque offset		±USER_CURRENT_MAX %			0.0					RW	Bi			US
4.10	Torque offset select		OFF (0) or On (1)			OFF (0)					RW	Bit			US
4.11	Torque mode selector	{0.14}	0 to 1	0 to 4	0					RW	Uni				US
4.12	Current demand filter 1	{0.17}		0.0 to 25.0 ms		0.0					RW	Uni			US
4.13	Current controller Kp gain	{0.38}	0 to 30,000			20	200V drive: 75 400V drive: 150 575V drive: 180 690V drive: 215				RW	Uni			US
4.14	Current controller Ki gain	{0.39}	0 to 30,000			40	200V drive: 1000 400V drive: 2000 575V drive: 2400 690V drive: 3000				RW	Uni			US
4.15	Thermal time constant	{0.45}	0.0 to 3000.0			89.0	89.0	20.0			RW	Uni			US
4.16	Thermal protection mode		0 to 1			0					RW	Bit			US
4.17	Reactive current		±DRIVE_CURRENT_MAX A								RO	Bi	FI	NC	PT
4.18	Overriding current limit		±TORQUE_PROD_CURRENT_MAX %								RO	Uni		NC	PT
4.19	Overload accumulator		0 to 100.0 %								RO	Uni		NC	PT
4.20	Percentage load		±USER_CURRENT_MAX %								RO	Bi	FI	NC	PT
4.22	Inertia compensation enable			OFF (0) or On (1)		OFF (0)					RW	Bit			US
4.23	Current demand filter 2			0.0 to 25.0 ms		0.0					RW	Uni			US
4.24	User current maximum scaling		0.0 to TORQUE_PROD_CURRENT_MAX %			165.0	175.0				RW	Uni		RA	US
4.25	Low speed thermal protection mode		OFF (0) or On (1)			OFF (0)					RW	Bit			US
4.26	Percentage torque		±USER_CURRENT_MAX %								RO	Bi	FI	NC	PT

RW	Read / Write	RO	Read only	Uni	Unipolar	Bi	Bi-polar	Bit	Bit parameter	Txt	Text string		
FI	Filtered	DE	Destination	NC	Not copied	RA	Rating dependent	PT	Protected	US	User save	PS	Power down save

13.5 Menu 5: Motor control

Figure 13-8 Menu 5 Open-loop logic diagram

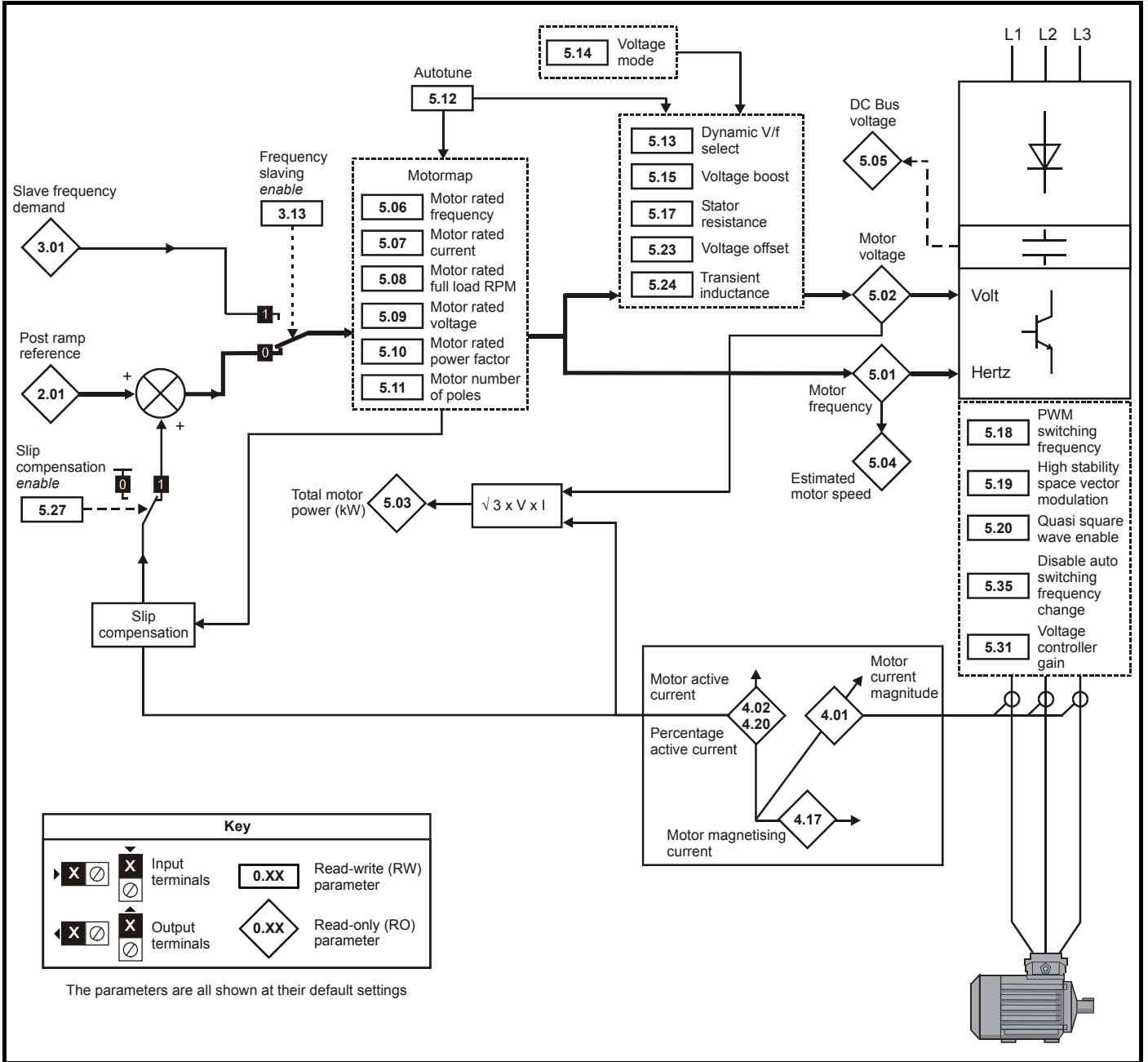
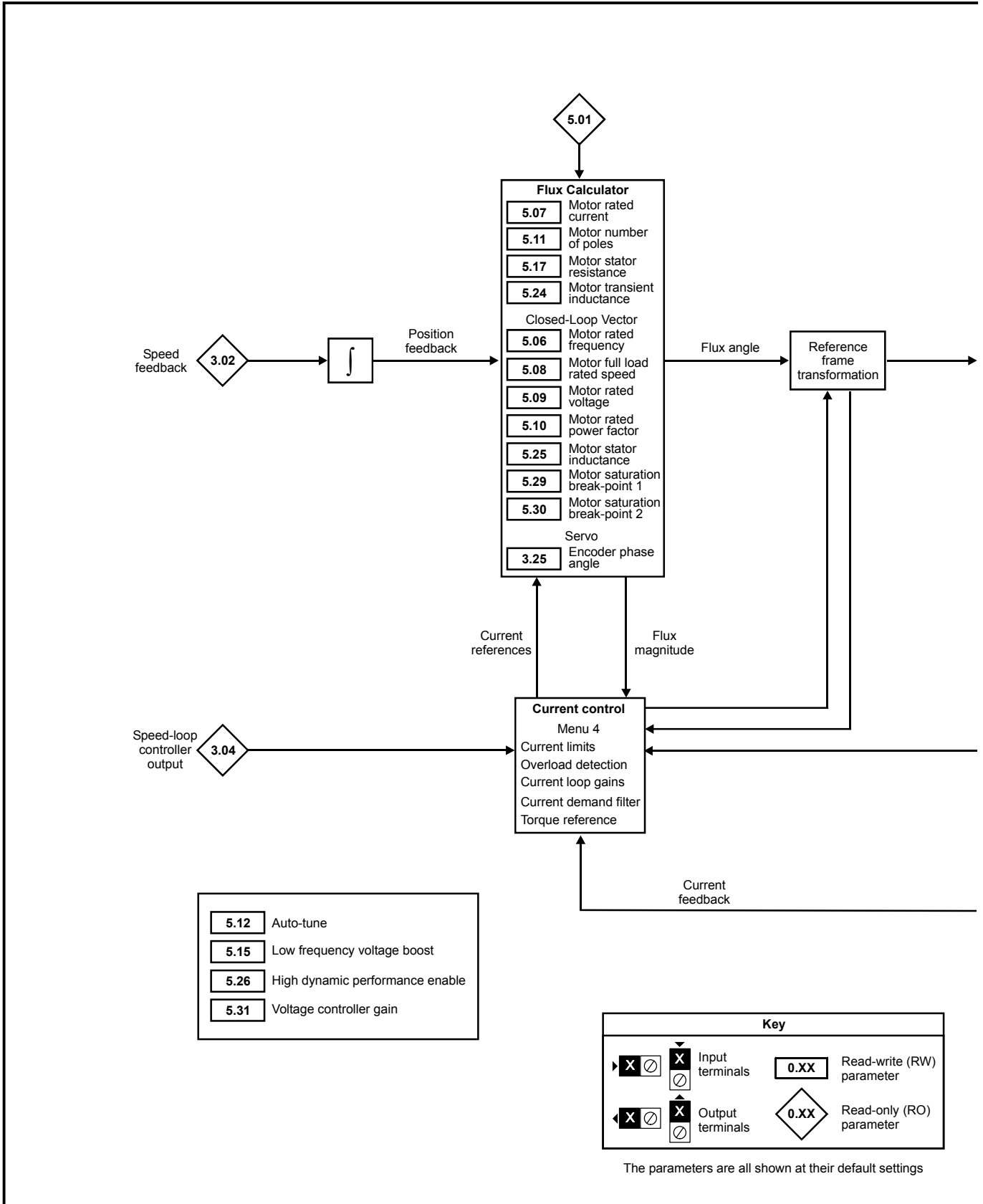
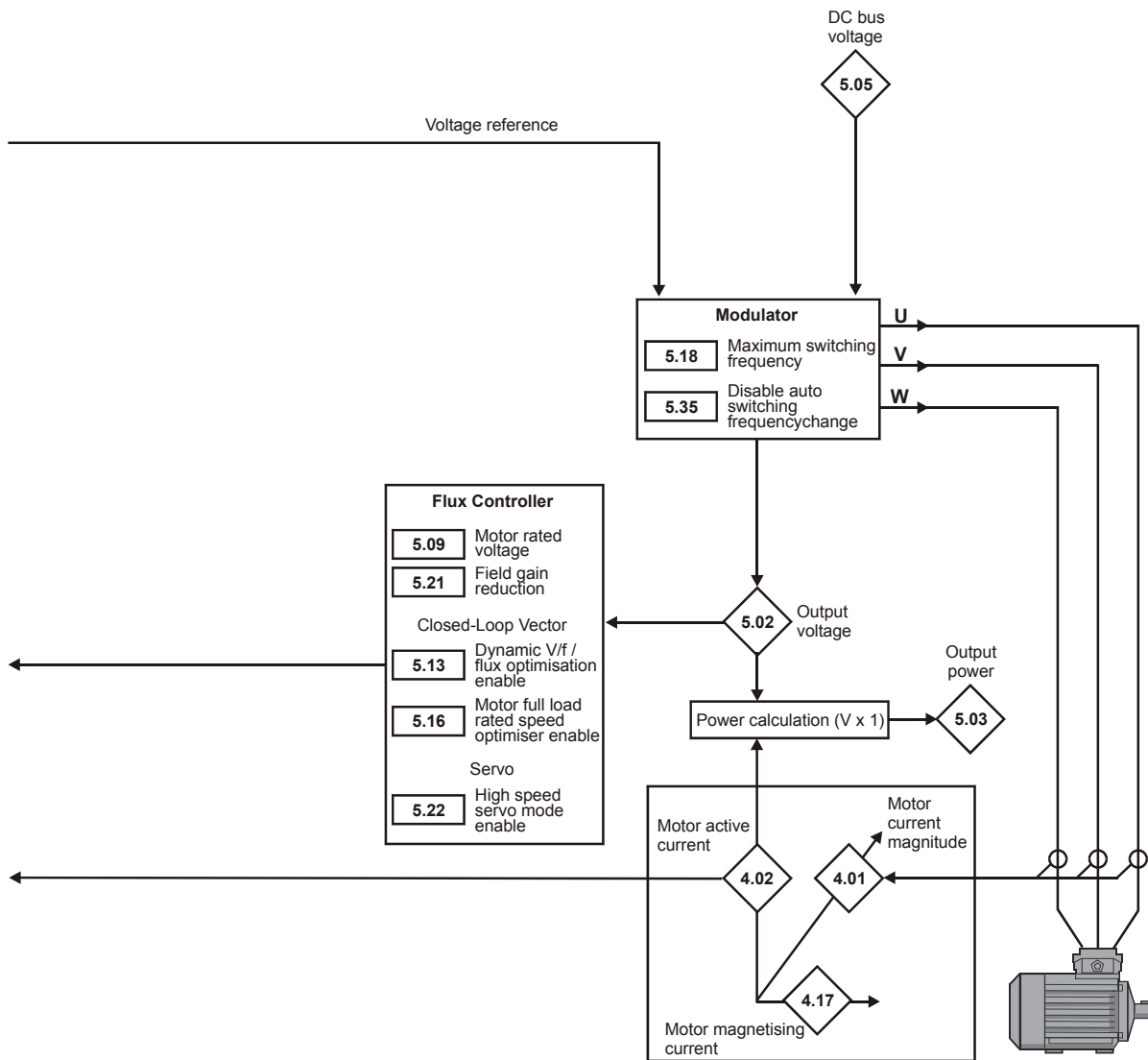


Figure 13-9 Menu 5 Closed-loop logic diagram



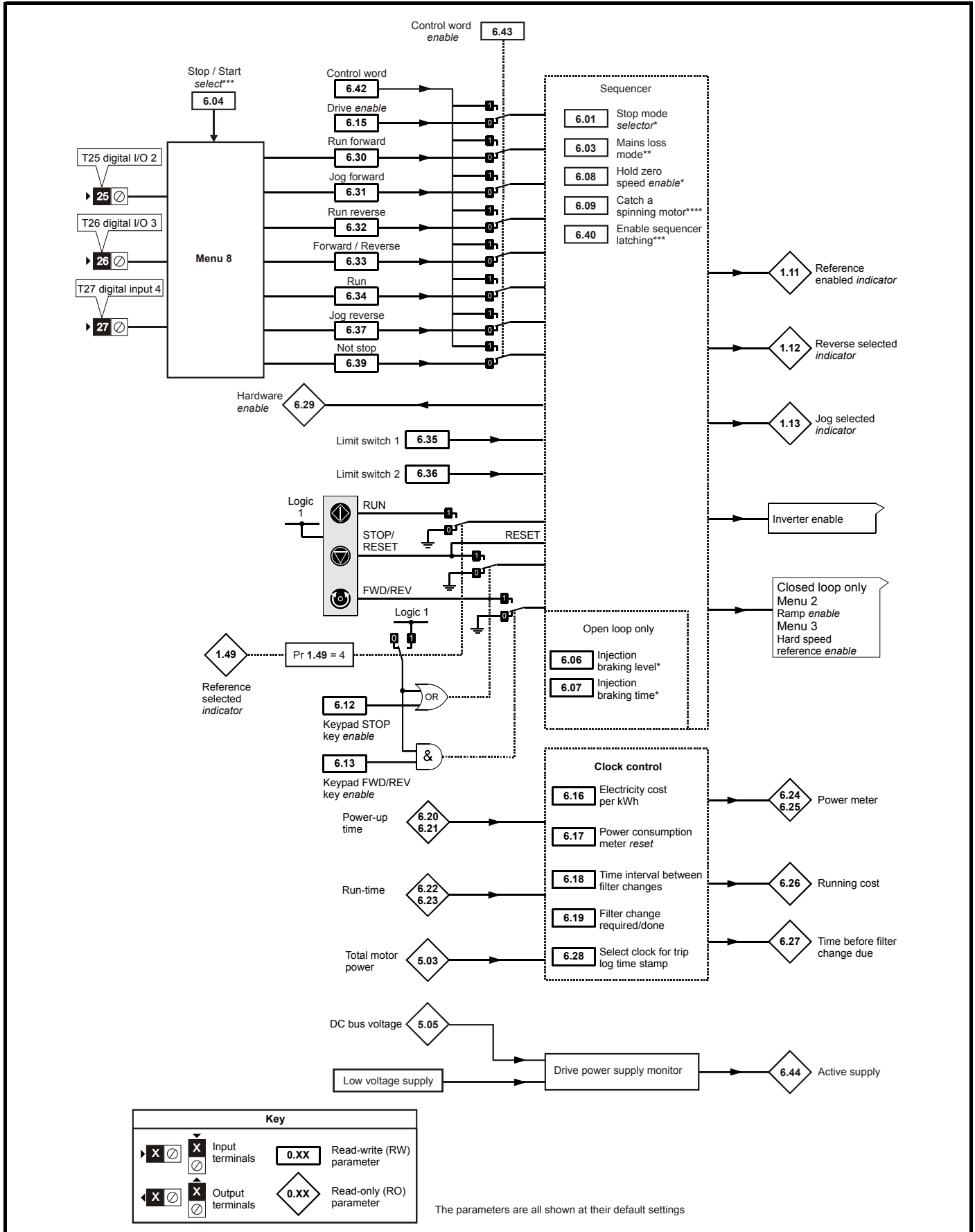


Parameter	Range(⇅)		Default(⇒)			Type					
	OL	CL	OL	VT	SV	RO	Bi	FI	NC	PT	
5.01 Output frequency {0.11}	±SPEED_FREQ_ MAX Hz		±1,250.0 Hz			RO	Bi	FI	NC	PT	
5.02 Output voltage	0 to AC_voltage_max V					RO	Uni	FI	NC	PT	
5.03 Output power	±Power_max kW					RO	Bi	FI	NC	PT	
5.04 Motor rpm {0.10}	±180,000 rpm					RO	Bi	FI	NC	PT	
5.05 D.C bus voltage	0 to +DC_voltage_max V					RO	Uni	FI	NC	PT	
5.06 Rated frequency {0.47}	0 to 3,000 Hz	VT> 0 to 1,250.0 Hz	EUR> 50.0, USA> 60.0			RW	Uni				US
5.07 Motor rated current {0.46}	0 to Rated_current_max A		Drive rated current [11.32]			RW	Uni		RA		US
5.08 Rated load rpm / rated speed {0.45}	0 to 180,000 rpm	0.00 to 40,000.00 rpm	EUR> 1,500 USA> 1,800	EUR> 1,450.00 USA> 1,770.00	3,000.00	RW	Uni				US
5.09 Rated voltage {0.44}	0 to AC_VOLTAGE_SET_MAX V		200V drive: 230 400V drive: EUR> 400, USA> 460 575V drive: 575 690V drive: 690			RW	Uni		RA		US
5.10 Rated power factor {0.43}	OL & VT> 0.000 to 1.000		0.850			RW	Uni		RA		US
5.11 Number of motor poles {0.42}	Auto to 120 Pole (0 to 60)		Auto (0)			6 POLE (3)	RW	Txt			US
5.12 Autotune {0.40}	0 to 2	VT> 0 to 4 SV> 0 to 6	0			RW	Uni		NC		
5.13 Dynamic V/F / flux optimise select {0.09}	OFF (0) or On (1)	VT> OFF (0) or On (1)	OFF (0)			RW	Bit				US
5.14 Voltage mode select {0.07}	Ur_S (0), Ur (1), Fd (2), Ur_Auto (3), Ur_I (4), SrE (5)		Ur_I (4)			RW	Txt				US
	Action on enable		SV> nonE (0), Ph EnL (1), Ph Init (2)			nonE(0)			RW	Txt	
5.15 Low frequency voltage boost {0.08}	0.0 to 25.0 % of motor rated voltage		1.0			RW	Uni				US
5.16 Rated rpm autotune {0.33}	VT> 0 to 2		0			RW	Uni				US
5.17 Stator resistance	0.000 to 65.000 x 10 mΩ		0.0			RW	Uni		RA		US
5.18 Maximum switching frequency {0.41}	3 (0), 4 (1), 6 (2)		3 (0)			6 (2)	RW	Txt		RA	US
5.19 High stability space vector modulation	OFF (0) or On (1)		OFF (0)			RW	Bit				US
5.20 Quasi-square enable	OFF (0) or On (1)		OFF (0)			RW	Bit				US
5.21 Field gain reduction		OFF (0) or On (1)	OFF (0)			RW	Bit				US
5.22 High speed servo mode enable		SV> OFF (0) or On (1)	0			RW	Bit				US
5.23 Voltage offset	0.0 to 25.0 V		0.0			RW	Uni		RA		US
5.24 Transient inductance (σL _s)	0.000 to 500.000 mH		0.000			RW	Uni		RA		US
5.25 Stator inductance (L _s)		VT> 0.00 to 5,000.00 mH	0.00			RW	Uni		RA		US
5.26 High dynamic performance enable		OFF (0) or On (1)	OFF (0)			RW	Bit				US
5.27 Enable slip compensation	OFF (0) or On (1)		On (1)			RW	Bit				US
5.28 Field weakening compensation disable		VT> OFF (0) or On (1)	OFF (0)			RW	Bit				US
5.29 Motor saturation breakpoint 1		VT> 0 to 100% of rated flux	50			RW	Uni				US
5.30 Motor saturation breakpoint 2		VT> 0 to 100% of rated flux	75			RW	Uni				US
5.31 Voltage controller gain	0 to 30		1			RW	Uni				US
5.32 Motor torque per amp, K _t		VT> 0.00 to 500.00 N m A ⁻¹				RO	Uni				US
		SV> 0.00 to 500.00 N m A ⁻¹	1.60			RW	Uni				US
5.33 Motor volts per 1,000 rpm, K _e		SV> 0 to 10,000 V	98			RW	Uni				US
5.35 Disable auto switching frequency change	OFF (0) or On (1)		OFF (0)			RW	Bit				US
5.36 Motor pole pitch	0 to 655.35 mm		0.00			RW	Uni				US
5.37 Actual switching frequency	3 (0), 4 (1), 6 (2), 8 (3), 12 (4), 16 (5), 6 rEd (6), 12 rEd (7)					RO	Txt		NC	PT	
5.38 Minimal movement phasing test angle		SV> 0.0 to 25.5°	5.0			RW	Uni				US
5.39 Minimal movement phasing test pulse length		SV> 0 to 3	0			RW	Uni				US
5.40 Spin start boost	0.0 to 10.0	VT> 0.0 to 10.0	1.0			RW	Uni				US

RW	Read / Write	RO	Read only	Uni	Unipolar	Bi	Bi-polar	Bit	Bit parameter	Txt	Text string		
FI	Filtered	DE	Destination	NC	Not copied	RA	Rating dependent	PT	Protected	US	User save	PS	Power down save

13.6 Menu 6: Sequencer and clock

Figure 13-10 Menu 6 logic diagram



Parameter		Range(⇅)		Default(⇒)			Type					
		OL	CL	OL	VT	SV	RW	Txt			US	
6.01	Stop mode	COASt (0), rP (1), rP.dcl (2), dcl (3), td.dcl (4), diSAbLE (5)	COASt (0), rP (1), no.rP (2)	rP (1)		no.rP (2)	RW	Txt				US
6.03	Line power supply loss mode	diS (0), StoP (1), ridE.th (2)		diS (0)			RW	Txt				US
6.04	Start / stop logic select	0 to 4		4			RW	Uni				US
6.06	Injection braking level	0 to 150.0%		100.0%			RW	Uni		RA		US
6.07	Injection braking time	0.0 to 25.0s		1.0			RW	Uni				US
6.08	Hold zero speed	OFF (0) or On (1)		OFF (0)		On (1)	RW	Bit				US
6.09	Catch a spinning motor {0.33}	0 to 3	0 to 1	0	1		RW	Uni				US
6.12	Enable stop key	OFF (0) or On (1)		OFF (0)			RW	Bit				US
6.13	Enable forward / reverse key {0.28}	OFF (0) or On (1)		OFF (0)			RW	Bit				US
6.15	Drive enable	OFF (0) or On (1)		On (1)			RW	Bit				US
6.16	Electricity cost per kWh	0.0 to 600.0 currency units per kWh		0			RW	Uni				US
6.17	Reset energy meter	OFF (0) or On (1)		OFF (0)			RW	Bit		NC		
6.18	Time between filter changes	0 to 30,000 hrs		0			RW	Uni				US
6.19	Filter change required / change done	OFF (0) or On (1)		OFF (0)			RW	Bit			PT	
6.20	Powered-up time: years.days	0 to 9.364 years.days					RW	Uni		NC	PT	
6.21	Powered-up time: hours.minutes	0 to 23.59 hours.minutes					RW	Uni		NC	PT	
6.22	Run time: years.days	0 to 9.364 years.days					RO	Uni		NC	PT	PS
6.23	Run time: hours.minutes	0 to 23.59 hours.minutes					RO	Uni		NC	PT	PS
6.24	Energy meter: MWh	±999.9 MWh					RO	Bi		NC	PT	PS
6.25	Energy meter: kWh	±99.99 kWh					RO	Bi		NC	PT	PS
6.26	Running cost	±32,000					RO	Bi		NC	PT	
6.27	Time before filter change due	0 to 30,000 hrs					RO	Uni		NC	PT	PS
6.28	Select clock for trip log time sampling	OFF (0) or On (1)		OFF (0)			RW	Bit				US
6.29	Hardware enable	OFF (0) or On (1)					RO	Bit		NC	PT	
6.30	Sequencing bit: Run forward	OFF (0) or On (1)		OFF (0)			RW	Bit		NC		
6.31	Sequencing bit: Jog forward	OFF (0) or On (1)		OFF (0)			RW	Bit		NC		
6.32	Sequencing bit: Run reverse	OFF (0) or On (1)		OFF (0)			RW	Bit		NC		
6.33	Sequencing bit: Forward / reverse	OFF (0) or On (1)		OFF (0)			RW	Bit		NC		
6.34	Sequencing bit: Run	OFF (0) or On (1)		OFF (0)			RW	Bit		NC		
6.35	Forward limit switch	OFF (0) or On (1)		OFF (0)			RW	Bit		NC		
6.36	Reverse limit switch	OFF (0) or On (1)		OFF (0)			RW	Bit		NC		
6.37	Sequencing bit: Jog reverse	OFF (0) or On (1)		OFF (0)			RW	Bit		NC		
6.39	Sequencing bit: Not stop	OFF (0) or On (1)		OFF (0)			RW	Bit		NC		
6.40	Enable sequencer latching	OFF (0) or On (1)		OFF (0)			RW	Bit				US
6.41	Drive event flags	0 to 65,535		0			RW	Uni		NC		
6.42	Control word	0 to 32,767		0			RW	Uni		NC		
6.43	Control word enable	OFF (0) or On (1)		OFF (0)			RW	Bit				US
6.44	Active supply	OFF (0) or On (1)					RO	Bit		NC	PT	
6.45	Force cooling fan to run at full speed*****	OFF (0) or On (1)		OFF (0)			RW	Bit				US
6.46	Nominal low voltage supply	48V to 96V		48			RW	Uni			PT	US
6.47	Disable line power supply / phase loss detection from input rectifier	OFF (0) or On (1)		OFF (0)			RW	Bit				US
6.48	Line powersupply loss ride through detection level	0 to DC_VOLTAGE_SET_MAX V		200V drive: 205, 400V drive: 410, 575V drive: 540, 690V drive: 540			RW	Uni		RA		US
6.49	Disable multi-module drive module number storing on trip	OFF (0) or On (1)		OFF (0)			RW	Bit				US
6.50	Drive comms state	drv (0), SLOt 1(1), SLOt 2 (2), SLOt 3 (3)					RO	Txt		NC	PT	
6.51	External rectifier not active	OFF (0) or On (1)		OFF (0)			RW	Bit				

RW	Read / Write	RO	Read only	Uni	Unipolar	Bi	Bi-polar	Bit	Bit parameter	Txt	Text string		
FI	Filtered	DE	Destination	NC	Not copied	RA	Rating dependent	PT	Protected	US	User save	PS	Power down save

*For more information, refer to section 13.21.5 *Stop modes* on page 257.

**For more information, refer to section 13.21.6 *Line power supply loss modes* on page 258.

***For more information, refer to section 13.21.7 *Start / stop logic modes* on page 259.

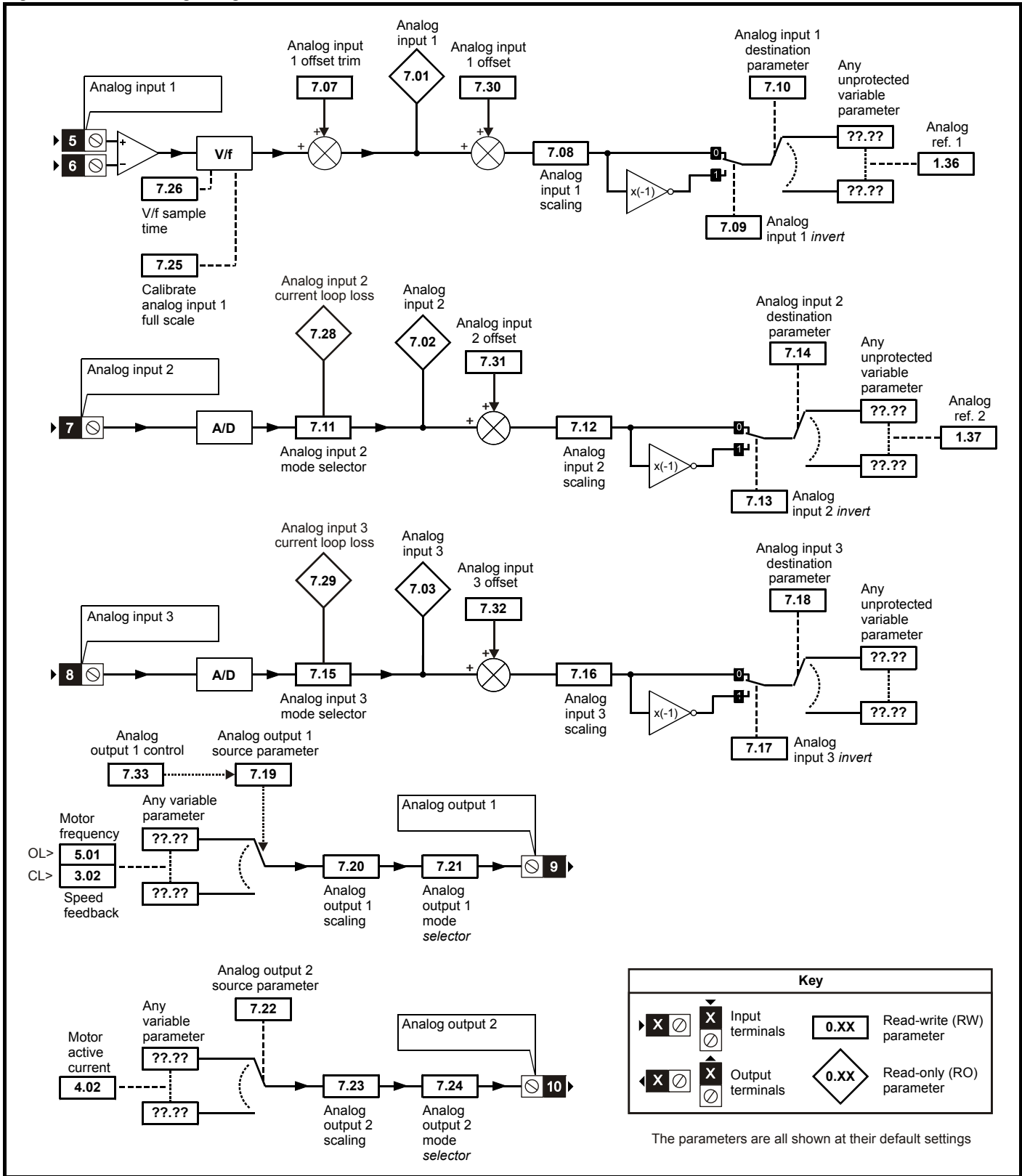
****For more information, refer to section 13.21.8 *Catch a spinning*

motor on page 260.

*****The drive thermal model system normally controls the fan speed, however the fan can be forced to operate at full speed if this parameter is set to 1. When this is set to 1 the fan remains at full speed until 10s after this parameter is set to zero. Note that the fan will only run at full speed if the drive is not in a UU condition.

13.7 Menu 7: Analog I/O

Figure 13-11 Menu 7 logic diagram

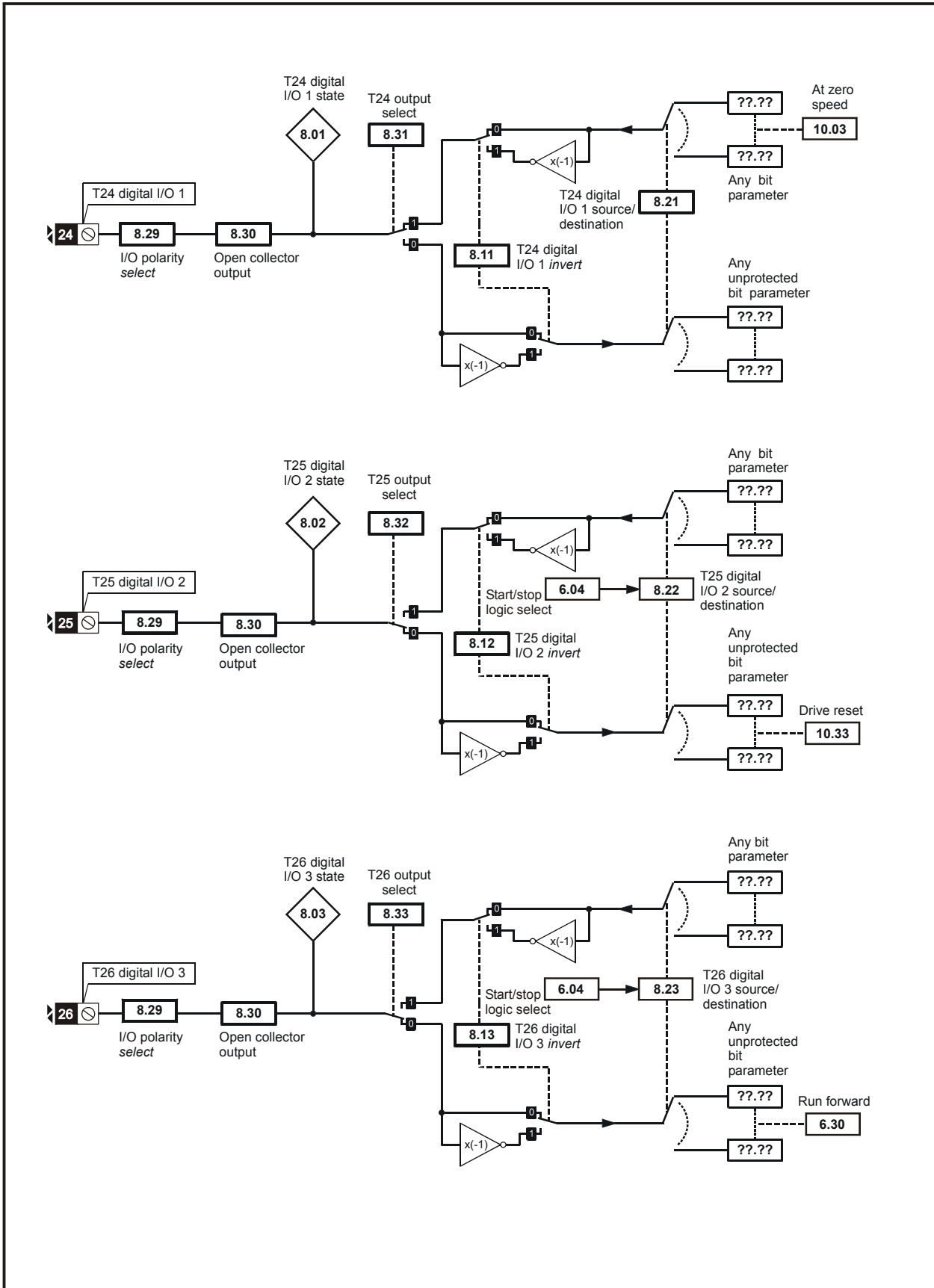


Parameter	Range(⇅)		Default(⇔)			Type								
	OL	CL	OL	VT	SV									
7.01	T5/6 analog input 1 level	±100.00 %						RO	Bi		NC	PT		
7.02	T7 analog input 2 level	±100.0 %						RO	Bi		NC	PT		
7.03	T8 analog input 3 level	±100.0 %						RO	Bi		NC	PT		
7.04	Power circuit temperature 1	-128 to 127 °C						RO	Bi		NC	PT		
7.05	Power circuit temperature 2	-128 to 127 °C						RO	Bi		NC	PT		
7.06	Control board temperature	-128 to 127 °C						RO	Bi		NC	PT		
7.07	T5/6 analog input 1 offset trim {0.13}	±10.000 %					0.000	RW	Bi					US
7.08	T5/6 analog input 1 scaling	0 to 4.000					1.000	RW	Uni					US
7.09	T5/6 analog input 1 invert	OFF (0) or On (1)					OFF (0)	RW	Bit					US
7.10	T5/6 analog input 1 destination	Pr 0.00 to 21.51					Pr 1.36	RW	Uni	DE		PT		US
7.11	T7 analog input 2 mode {0.19}	0-20 (0), 20-0 (1), 4-20.tr (2), 20-4.tr (3), 4-20 (4), 20-4 (5), VOLt (6)					VOLt (6)	RW	Txt					US
7.12	T7 analog input 2 scaling	0 to 4.000					1.000	RW	Uni					US
7.13	T7 analog input 2 invert	OFF (0) or On (1)					OFF (0)	RW	Bit					US
7.14	T7 analog input 2 destination {0.20}	Pr 0.00 to 21.51					Pr 1.37	RW	Uni	DE		PT		US
7.15	T8 analog input 3 mode {0.21}	0-20 (0), 20-0 (1), 4-20.tr (2), 20-4.tr (3), 4-20 (4), 20-4 (5), VOLt (6), th.SC (7), th (8), th.diSP (9)					th (8)	RW	Txt					US
7.16	T8 analog input 3 scaling	0 to 4.000					1.000	RW	Uni					US
7.17	T8 analog input 3 invert	OFF (0) or On (1)					OFF (0)	RW	Bit					US
7.18	T8 analog input 3 destination	Pr 0.00 to 21.51					Pr 0.00	RW	Uni	DE		PT		US
7.19	T9 analog output 1 source	Pr 0.00 to 21.51				Pr 5.01	Pr 3.02	RW	Uni			PT		US
7.20	T9 analog output 1 scaling	0.000 to 4.000					1.000	RW	Uni					US
7.21	T9 analog output 1 mode	VOLt (0), 0-20 (1), 4-20 (2), H.SPd (3)					VOLt (0)	RW	Txt					US
7.22	T10 analog output 2 source	Pr 0.00 to 21.51					Pr 4.02	RW	Uni			PT		US
7.23	T10 analog output 2 scaling	0.000 to 4.000					1.000	RW	Uni					US
7.24	T10 analog output 2 mode	VOLt (0), 0-20 (1), 4-20 (2), H.SPd (3)					VOLt (0)	RW	Txt					US
7.25	Calibrate T5/6 analog input 1 full scale	OFF (0) or On (1)					OFF (0)	RW	Bit		NC			
7.26	T5/6 analog input 1 sample time	0 to 8.0 ms					4.0	RW	Uni					US
7.28	T7 analog input 2 current loop loss	OFF (0) or On (1)						RO	Bit		NC	PT		
7.29	T8 analog input 3 current loop loss	OFF (0) or On (1)						RO	Bit		NC	PT		
7.30	T5/6 analog input 1 offset	±100.00 %					0.00	RW	Bi					US
7.31	T7 analog input 2 offset	±100.0 %					0.0	RW	Bi					US
7.32	T8 analog input 3 offset	±100.0 %					0.0	RW	Bi					US
7.33	T9 analog output 1 control	Fr (0), Ld (1), AdV (2)					AdV (2)	RW	Txt					US
7.34	IGBT junction temperature	±200 °C						RO	Bi		NC	PT		
7.35	Drive thermal protection accumulator	0 to 100.0 %						RO	Uni		NC	PT		
7.36	Power circuit temperature 3	-128 to 127 °C						RO	Bi		NC	PT		

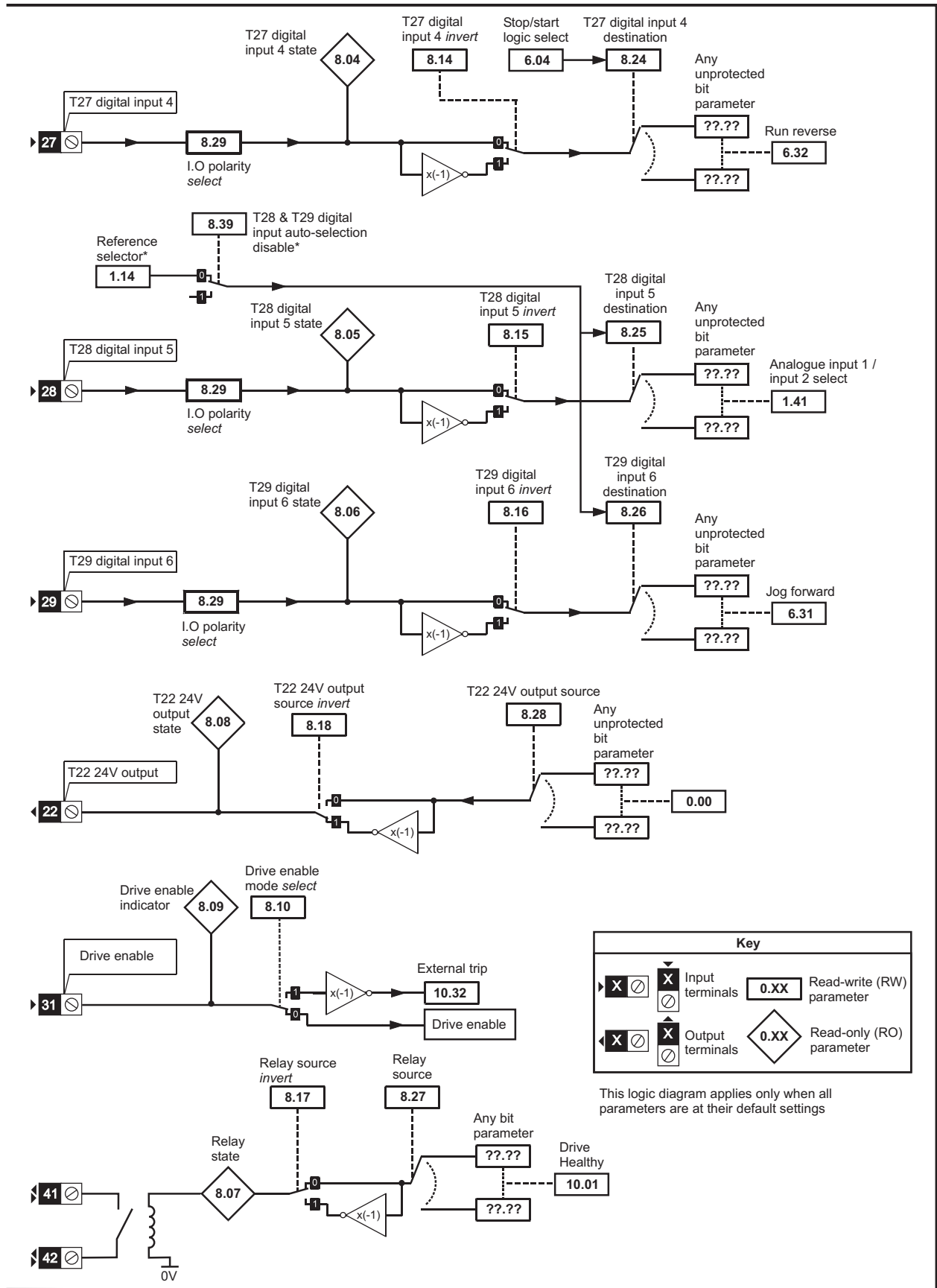
RW	Read / Write	RO	Read only	Uni	Unipolar	Bi	Bi-polar	Bit	Bit parameter	Txt	Text string		
FI	Filtered	DE	Destination	NC	Not copied	RA	Rating dependent	PT	Protected	US	User save	PS	Power down save

13.8 Menu 8: Digital I/O

Figure 13-12 Menu 8 logic diagram



*For more information, refer to section 13.21.1 Reference modes on page 254.



Parameter	Range(⇅)		Default(⇨)			Type				
	OL	CL	OL	VT	SV					
8.01	T24 digital I/O 1 state	OFF (0) or On (1)				RO	Bit		NC	PT
8.02	T25 digital I/O 2 state	OFF (0) or On (1)				RO	Bit		NC	PT
8.03	T26 digital I/O 3 state	OFF (0) or On (1)				RO	Bit		NC	PT
8.04	T27 digital input 4 state	OFF (0) or On (1)				RO	Bit		NC	PT
8.05	T28 digital input 5 state	OFF (0) or On (1)				RO	Bit		NC	PT
8.06	T29 digital input 6 state	OFF (0) or On (1)				RO	Bit		NC	PT
8.07	Relay state	OFF (0) or On (1)				RO	Bit		NC	PT
8.08	T22 24V output state	OFF (0) or On (1)				RO	Bit		NC	PT
8.09	Drive enable indicator	OFF (0) or On (1)				RO	Bit		NC	PT
8.10	Drive enable mode select	OFF (0) or On (1)		OFF (0)		RW	Bit			US
8.11	T24 digital I/O 1 invert	OFF (0) or On (1)		OFF (0)		RW	Bit			US
8.12	T25 digital I/O 2 invert	OFF (0) or On (1)		OFF (0)		RW	Bit			US
8.13	T26 digital I/O 3 invert	OFF (0) or On (1)		OFF (0)		RW	Bit			US
8.14	T27 digital input 4 invert	OFF (0) or On (1)		OFF (0)		RW	Bit			US
8.15	T28 digital input 5 invert	OFF (0) or On (1)		OFF (0)		RW	Bit			US
8.16	T29 digital input 6 invert	OFF (0) or On (1)		OFF (0)		RW	Bit			US
8.17	Relay source invert	OFF (0) or On (1)		OFF (0)		RW	Bit			US
8.18	T22 24V output source invert	OFF (0) or On (1)		On (1)		RW	Bit			US
8.20	Digital I/O read word	0 to 511				RO	Uni		NC	PT
8.21	T24 digital I/O 1 source/destination	Pr 0.00 to 21.51		Pr 10.03		RW	Uni	DE		PT US
8.22	T25 digital I/O 2 source/destination	Pr 0.00 to 21.51		Pr 10.33		RW	Uni	DE		PT US
8.23	T26 digital I/O 3 source/destination	Pr 0.00 to 21.51		Pr 6.30		RW	Uni	DE		PT US
8.24	T27 digital input 4 destination	Pr 0.00 to 21.51		Pr 6.32		RW	Uni	DE		PT US
8.25	T28 digital input 5 destination	Pr 0.00 to 21.51		Pr 1.41		RW	Uni	DE		PT US
8.26	T29 digital input 6 destination {0.17}	Pr 0.00 to 21.51		Pr 6.31		RW	Uni	DE		PT US
8.27	Relay source	Pr 0.00 to 21.51		Pr 10.01		RW	Uni			PT US
8.28	T22 24V output source	Pr 0.00 to 21.51		Pr 0.00		RW	Uni			PT US
8.29	Positive logic select {0.18}	OFF (0) or On (1)		On (1)		RW	Bit			PT US
8.30	Open collector output	OFF (0) or On (1)		OFF (0)		RW	Bit			US
8.31	T24 digital I/O 1 output select	OFF (0) or On (1)		On (1)		RW	Bit			US
8.32	T25 digital I/O 2 output select	OFF (0) or On (1)		OFF (0)		RW	Bit			US
8.33	T26 digital I/O 3 output select	OFF (0) or On (1)		OFF (0)		RW	Bit			US
8.39	T28 & T29 digital input auto-selection disable {0.16}	OFF (0) or On (1)		OFF (0)		RW	Bit			US

RW	Read / Write	RO	Read only	Uni	Unipolar	Bi	Bi-polar	Bit	Bit parameter	Txt	Text string		
FI	Filtered	DE	Destination	NC	Not copied	RA	Rating dependent	PT	Protected	US	User save	PS	Power down save

13.9 Menu 9: Programmable logic, motorized pot, binary sum and timers

Figure 13-13 Menu 9 logic diagram: Programmable logic

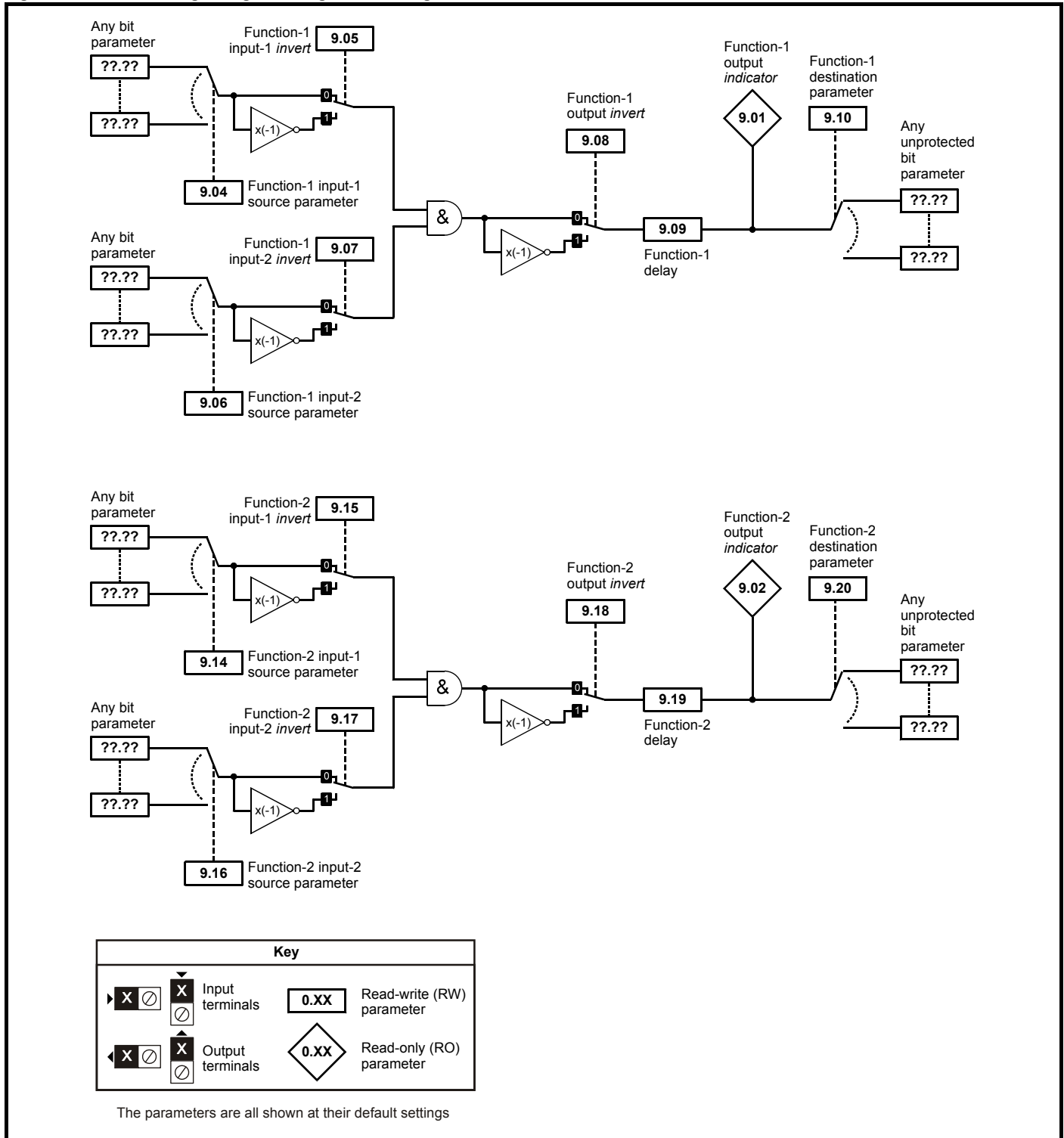
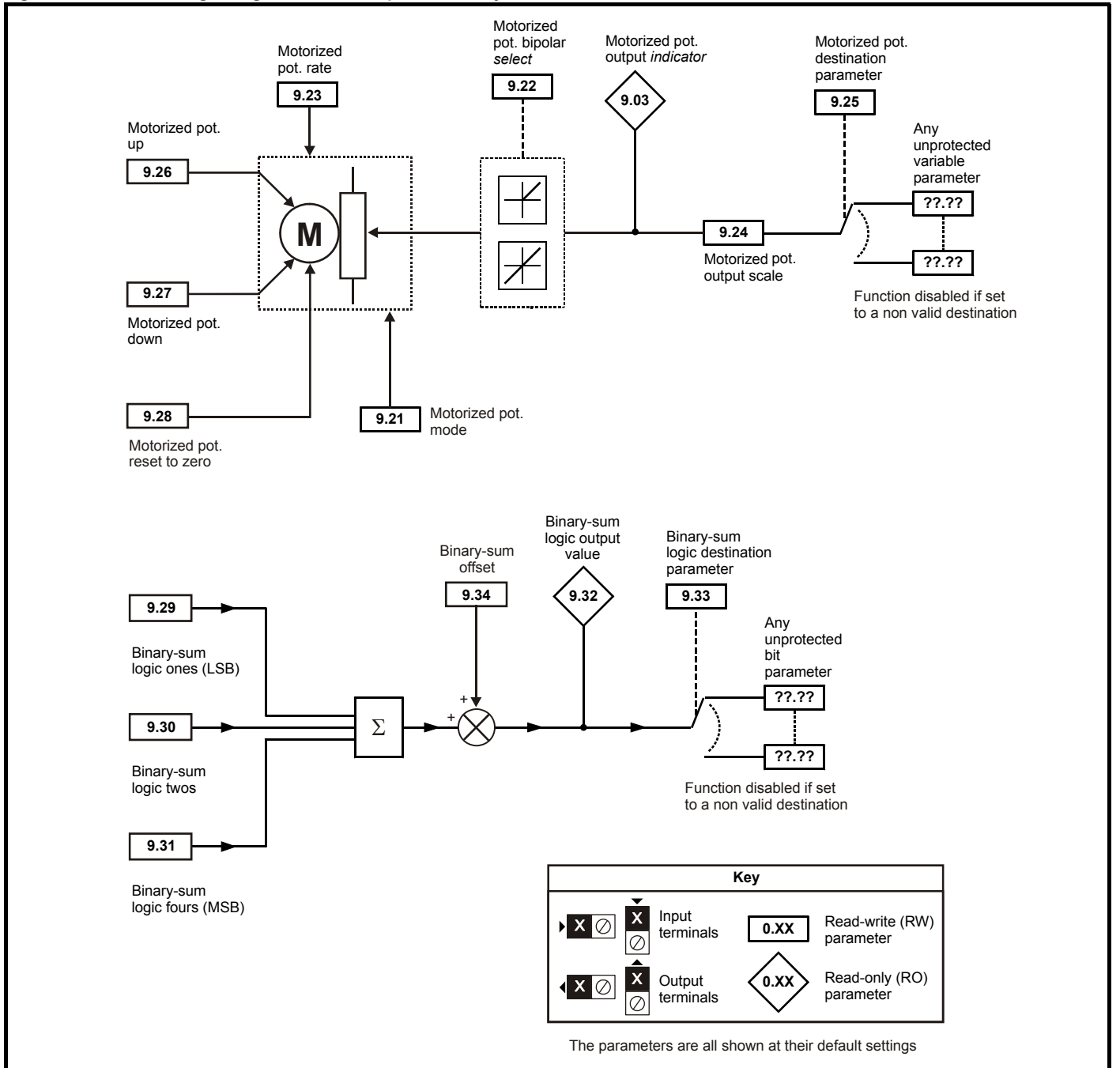


Figure 13-14 Menu 9 logic diagram: Motorized pot and binary sum



Parameter	Range(↕)		Default(⇔)			Type										
	OL	CL	OL	VT	SV											
9.01	Logic function 1 output	OFF (0) or On (1)									RO	Bit		NC	PT	
9.02	Logic function 2 output	OFF (0) or On (1)									RO	Bit		NC	PT	
9.03	Motorized pot output	±100.00 %									RO	Bi		NC	PT	PS
9.04	Logic function 1 source 1	Pr 0.00 to 21.51				Pr 0.00					RW	Uni			PT	US
9.05	Logic function 1 source 1 invert	OFF (0) or On (1)				OFF (0)					RW	Bit				US
9.06	Logic function 1 source 2	Pr 0.00 to 21.51				Pr 0.00					RW	Uni			PT	US
9.07	Logic function 1 source 2 invert	OFF (0) or On (1)				OFF (0)					RW	Bit				US
9.08	Logic function 1 output invert	OFF (0) or On (1)				OFF (0)					RW	Bit				US
9.09	Logic function 1 delay	±25.0 s				0.0					RW	Bi				US
9.10	Logic function 1 destination	Pr 0.00 to 21.51				Pr 0.00					RW	Uni	DE		PT	US
9.14	Logic function 2 source 1	Pr 0.00 to 21.51				Pr 0.00					RW	Uni			PT	US
9.15	Logic function 2 source 1 invert	OFF (0) or On (1)				OFF (0)					RW	Bit				US
9.16	Logic function 2 source 2	Pr 0.00 to 21.51				Pr 0.00					RW	Uni			PT	US
9.17	Logic function 2 source 2 invert	OFF (0) or On (1)				OFF (0)					RW	Bit				US
9.18	Logic function 2 output invert	OFF (0) or On (1)				OFF (0)					RW	Bit				US
9.19	Logic function 2 delay	±25.0 s				0.0					RW	Bi				US
9.20	Logic function 2 destination	Pr 0.00 to 21.51				Pr 0.00					RW	Uni	DE		PT	US
9.21	Motorized pot mode	0 to 3				2					RW	Uni				US
9.22	Motorized pot bipolar select	OFF (0) or On (1)				OFF (0)					RW	Bit				US
9.23	Motorized pot rate	0 to 250 s				20					RW	Uni				US
9.24	Motorized pot scale factor	0.000 to 4.000				1.000					RW	Uni				US
9.25	Motorized pot destination	Pr 0.00 to 21.51				Pr 0.00					RW	Uni	DE		PT	US
9.26	Motorized pot up	OFF (0) or On (1)				OFF (0)					RW	Bit		NC		
9.27	Motorized pot down	OFF (0) or On (1)				OFF (0)					RW	Bit		NC		
9.28	Motorized pot reset	OFF (0) or On (1)				OFF (0)					RW	Bit		NC		
9.29	Binary sum ones input	OFF (0) or On (1)				OFF (0)					RW	Bit		NC		
9.30	Binary sum twos input	OFF (0) or On (1)				OFF (0)					RW	Bit		NC		
9.31	Binary sum fours input	OFF (0) or On (1)				OFF (0)					RW	Bit		NC		
9.32	Binary sum output	0 to 255									RO	Uni		NC	PT	
9.33	Binary sum destination	Pr 0.00 to 21.51				Pr 0.00					RW	Uni	DE		PT	US
9.34	Binary sum offset	0 to 248				0					RW	Uni				US

RW	Read / Write	RO	Read only	Uni	Unipolar	Bi	Bi-polar	Bit	Bit parameter	Txt	Text string		
FI	Filtered	DE	Destination	NC	Not copied	RA	Rating dependent	PT	Protected	US	User save	PS	Power down save

13.10 Menu 10: Status and trips

Parameter	Range(⇅)		Default(⇔)			Type				
	OL	CL	OL	VT	SV					
10.01	Drive OK	OFF (0) or On (1)				RO	Bit		NC	PT
10.02	Drive active	OFF (0) or On (1)				RO	Bit		NC	PT
10.03	Zero speed	OFF (0) or On (1)				RO	Bit		NC	PT
10.04	Running at or below minimum speed	OFF (0) or On (1)				RO	Bit		NC	PT
10.05	Below set speed	OFF (0) or On (1)				RO	Bit		NC	PT
10.06	At speed	OFF (0) or On (1)				RO	Bit		NC	PT
10.07	Above set speed	OFF (0) or On (1)				RO	Bit		NC	PT
10.08	Load reached	OFF (0) or On (1)				RO	Bit		NC	PT
10.09	Drive output is at current limit	OFF (0) or On (1)				RO	Bit		NC	PT
10.10	Regenerating	OFF (0) or On (1)				RO	Bit		NC	PT
10.11	Braking IGBT active	OFF (0) or On (1)				RO	Bit		NC	PT
10.12	Braking resistor alarm	OFF (0) or On (1)				RO	Bit		NC	PT
10.13	Direction commanded	OFF (0) or On (1) [0 = FWD, 1 = REV]				RO	Bit		NC	PT
10.14	Direction running	OFF (0) or On (1) [0 = FWD, 1 = REV]				RO	Bit		NC	PT
10.15	Line powersupply loss	OFF (0) or On (1)				RO	Bit		NC	PT
10.16	Under voltage active	OFF (0) or On (1)				RO	Bit		NC	PT
10.17	Overload alarm	OFF (0) or On (1)				RO	Bit		NC	PT
10.18	Drive over temperature alarm	OFF (0) or On (1)				RO	Bit		NC	PT
10.19	Drive warning	OFF (0) or On (1)				RO	Bit		NC	PT
10.20	Trip 0	0 to 230*				RO	Txt		NC	PT PS
10.21	Trip 1	0 to 230*				RO	Txt		NC	PT PS
10.22	Trip 2	0 to 230*				RO	Txt		NC	PT PS
10.23	Trip 3	0 to 230*				RO	Txt		NC	PT PS
10.24	Trip 4	0 to 230*				RO	Txt		NC	PT PS
10.25	Trip 5	0 to 230*				RO	Txt		NC	PT PS
10.26	Trip 6	0 to 230*				RO	Txt		NC	PT PS
10.27	Trip 7	0 to 230*				RO	Txt		NC	PT PS
10.28	Trip 8	0 to 230*				RO	Txt		NC	PT PS
10.29	Trip 9	0 to 230*				RO	Txt		NC	PT PS
10.30	Full power braking time	0.00 to 400.00 s			0.00	RW	Uni			US
10.31	Full power braking period	0.0 to 1500.0 s			0.0	RW	Uni			US
10.32	External trip	OFF (0) or On (1)			OFF (0)	RW	Bit		NC	
10.33	Drive reset	OFF (0) or On (1)			OFF (0)	RW	Bit		NC	
10.34	No. of auto-reset attempts	0 to 5			0	RW	Uni			US
10.35	Auto-reset delay	0.0 to 25.0 s			1.0	RW	Uni			US
10.36	Hold drive OK until last attempt	OFF (0) or On (1)			OFF (0)	RW	Bit			US
10.37	Action on trip detection	0 to 15			0	RW	Uni			US
10.38	User trip	0 to 255			0	RW	Uni		NC	
10.39	Braking energy overload accumulator	0.0 to 100.0 %				RO	Uni		NC	PT
10.40	Status word	0 to 32,767				RO	Uni		NC	PT
10.41	Trip 0 time: years.days	0.000 to 9.365 years.days				RO	Uni		NC	PT PS
10.42	Module number for trip 0, or, Trip 0 time: hours.minutes	00.00 to 23.59 hours.minutes				RO	Uni		NC	PT PS
10.43	Module number for trip 1, or, Trip 1 time	0 to 600.00 hours.minutes				RO	Uni		NC	PT PS
10.44	Module number for trip 2, or, Trip 2 time	0 to 600.00 hours.minutes				RO	Uni		NC	PT PS
10.45	Module number for trip 3, or, Trip 3 time	0 to 600.00 hours.minutes				RO	Uni		NC	PT PS
10.46	Module number for trip 4, or, Trip 4 time	0 to 600.00 hours.minutes				RO	Uni		NC	PT PS
10.47	Module number for trip 5, or, Trip 5 time	0 to 600.00 hours.minutes				RO	Uni		NC	PT PS
10.48	Module number for trip 6, or, Trip 6 time	0 to 600.00 hours.minutes				RO	Uni		NC	PT PS
10.49	Module number for trip 7, or, Trip 7 time	0 to 600.00 hours.minutes				RO	Uni		NC	PT PS
10.50	Module number for trip 8, or, Trip 8 time	0 to 600.00 hours.minutes				RO	Uni		NC	PT PS
10.51	Module number for trip 9, or, Trip 9 time	0 to 600.00 hours.minutes				RO	Uni		NC	PT PS

RW	Read / Write	RO	Read only	Uni	Unipolar	Bi	Bi-polar	Bit	Bit parameter	Txt	Text string		
FI	Filtered	DE	Destination	NC	Not copied	RA	Rating dependent	PT	Protected	US	User save	PS	Power down save

*The value given for the range is that obtained via serial communication. For the text string displayed on the drive, see Chapter 15 *Diagnostics* on page 275.

13.11 Menu 11: General drive set-up

Parameter	Range(⇅)		Default(⇄)			Type						
	OL	CL	OL	VT	SV							
11.01 Parameter 0.11 set up	Pr 1.00 to Pr 21.51		Pr 5.01			Pr 3.29	RW	Uni			PT	US
11.02 Parameter 0.12 set up	Pr 1.00 to Pr 21.51		Pr 4.01				RW	Uni			PT	US
11.03 Parameter 0.13 set up	Pr 1.00 to Pr		Pr 4.02			Pr 7.07	RW	Uni			PT	US
11.04 Parameter 0.14 set up	Pr 1.00 to Pr		Pr 4.11				RW	Uni			PT	US
11.05 Parameter 0.15 set up	Pr 1.00 to Pr		Pr 2.04				RW	Uni			PT	US
11.06 Parameter 0.16 set up	Pr 1.00 to Pr		Pr 8.39	Pr 2.02			RW	Uni			PT	US
11.07 Parameter 0.17 set up	Pr 1.00 to Pr		Pr 8.26	Pr 4.12			RW	Uni			PT	US
11.08 Parameter 0.18 set up	Pr 1.00 to Pr		Pr 8.29				RW	Uni			PT	US
11.09 Parameter 0.19 set up	Pr 1.00 to Pr		Pr 7.11				RW	Uni			PT	US
11.10 Parameter 0.20 set up	Pr 1.00 to Pr		Pr 7.14				RW	Uni			PT	US
11.11 Parameter 0.21 set up	Pr 1.00 to Pr		Pr 7.15				RW	Uni			PT	US
11.12 Parameter 0.22 set up	Pr 1.00 to Pr		Pr 1.10				RW	Uni			PT	US
11.13 Parameter 0.23 set up	Pr 1.00 to Pr		Pr 1.05				RW	Uni			PT	US
11.14 Parameter 0.24 set up	Pr 1.00 to Pr		Pr 1.21				RW	Uni			PT	US
11.15 Parameter 0.25 set up	Pr 1.00 to Pr		Pr 1.22				RW	Uni			PT	US
11.16 Parameter 0.26 set up	Pr 1.00 to Pr		Pr 1.23	Pr 3.08			RW	Uni			PT	US
11.17 Parameter 0.27 set up	Pr 1.00 to Pr 21.51		Pr 1.24	Pr 3.34			RW	Uni			PT	US
11.18 Parameter 0.28 set up	Pr 1.00 to Pr 21.51		Pr 6.13				RW	Uni			PT	US
11.19 Parameter 0.29 set up	Pr 1.00 to Pr 21.51		Pr 11.36				RW	Uni			PT	US
11.20 Parameter 0.30 set up	Pr 1.00 to Pr 21.51		Pr 11.42				RW	Uni			PT	US
11.21 Parameter scaling	0.000 to 9.999		1.000				RW	Uni				US
11.22 Parameter displayed at power-up	Pr 0.00 to 00.59		Pr 0.10				RW	Uni			PT	US
11.23 Serial address {0.37}	0 to 247		1				RW	Uni				US
11.24 Serial mode {0.35}	AnSI (0), rTU (1), Lcd (2)		rTU (1)				RW	Txt			PT	US
11.25 Baud rate {0.36}	300 (0), 600 (1), 1200 (2), 2400 (3), 4800 (4), 9600 (5), 19200 (6), 38400 (7), 57600 (8)*, 115200 (9)* *Modbus RTU only		19200 (6)				RW	Txt				US
11.26 Minimum comms transmit delay	0 to 250ms		2				RW	Uni				US
11.28 Drive derivative	0 to 16						RO	Uni		NC	PT	
11.29 Software version {0.50}	1.00 to 99.99						RO	Uni		NC	PT	
11.30 User security code {0.34}	0 to 999		0				RW	Uni		NC	PT	PS
11.31 User drive mode {0.48}	OPEn LP (1), CL VECT(2), SERVO (3), rEGEn (4)		OPEn LP (1)	CL VECT (2)	SERVO (3)		RW	Txt		NC	PT	
11.32 Maximum Heavy Duty current rating {0.32}	0.00 to 9999.99A						RO	Uni		NC	PT	
11.33 Drive voltage rating {0.31}	200 (0), 400 (1), 575 (2), 690 (3)						RO	Txt		NC	PT	
11.34 Software sub-version	0 to 99						RO	Uni		NC	PT	
11.35 Number of modules	0 to 10		0				RW	Uni			PT	US
11.36 SMARTCARD parameter data previously loaded {0.29}	0 to 999		0				RO	Uni		NC	PT	US
11.37 SMARTCARD data number	0 to 1003		0				RW	Uni		NC		
11.38 SMARTCARD data type / mode	0 to 18						RO	Txt		NC	PT	
11.39 SMARTCARD data version	0 to 9,999		0				RW	Uni		NC		
11.40 SMARTCARD data checksum	0 to 65,335						RO	Uni		NC	PT	
11.41 Status mode timeout	0 to 250s		240				RW	Uni				US
11.42 Parameter copying {0.30}	nonE (0), rEAd (1), Prog (2), AutO (3), boot (4)		nonE (0)				RW	Txt		NC		*
11.43 Load defaults	nonE (0), Eur (1), USA (2)		nonE (0)				RW	Txt		NC		
11.44 Security status {0.49}	L1 (0), L2 (1), Loc (2)						RW	Txt			PT	US
11.45 Select motor 2 parameters	OFF (0) or On (1)		OFF (0)				RW	Bit				US
11.46 Defaults previously loaded	0 to 2000						RO	Uni		NC	PT	US
11.47 Drive Onboard PLC program enable	Halt program (0) Run program: out of range = clip (1) Run program: out of range = trip (2)		Run program: out of range = trip (2)				RW	Uni				US
11.48 Drive Onboard PLC program status	-128 to +127						RO	Bi		NC	PT	
11.49 Drive Onboard PLC programming events	0 to 65,535						RO	Uni		NC	PT	PS
11.50 Drive Onboard PLC program average scan time	0 to 65,535 ms						RO	Uni		NC	PT	
11.51 Drive Onboard PLC program first run	OFF (0) or On (1)						RO	Bit		NC	PT	

* Modes 1 and 2 are not user saved, Modes 0, 3 and 4 are user saved

RW	Read / Write	RO	Read only	Uni	Unipolar	Bi	Bi-polar	Bit	Bit parameter	Txt	Text string		
Fl	Filtered	DE	Destination	NC	Not copied	RA	Rating dependent	PT	Protected	US	User save	PS	Power down save

13.12 Menu 12: Threshold detectors, variable selectors and brake control function

Figure 13-15 Menu 12 logic diagram

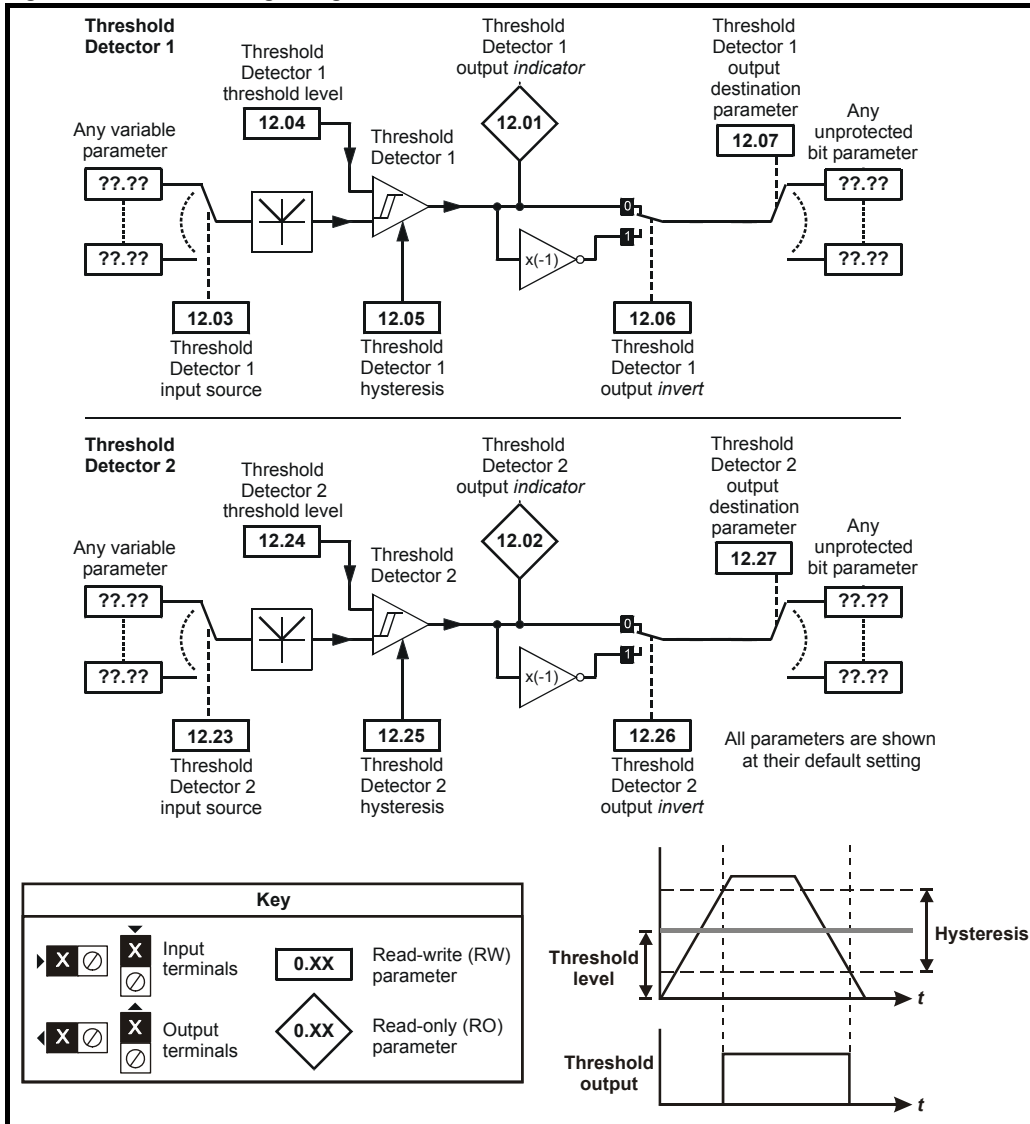
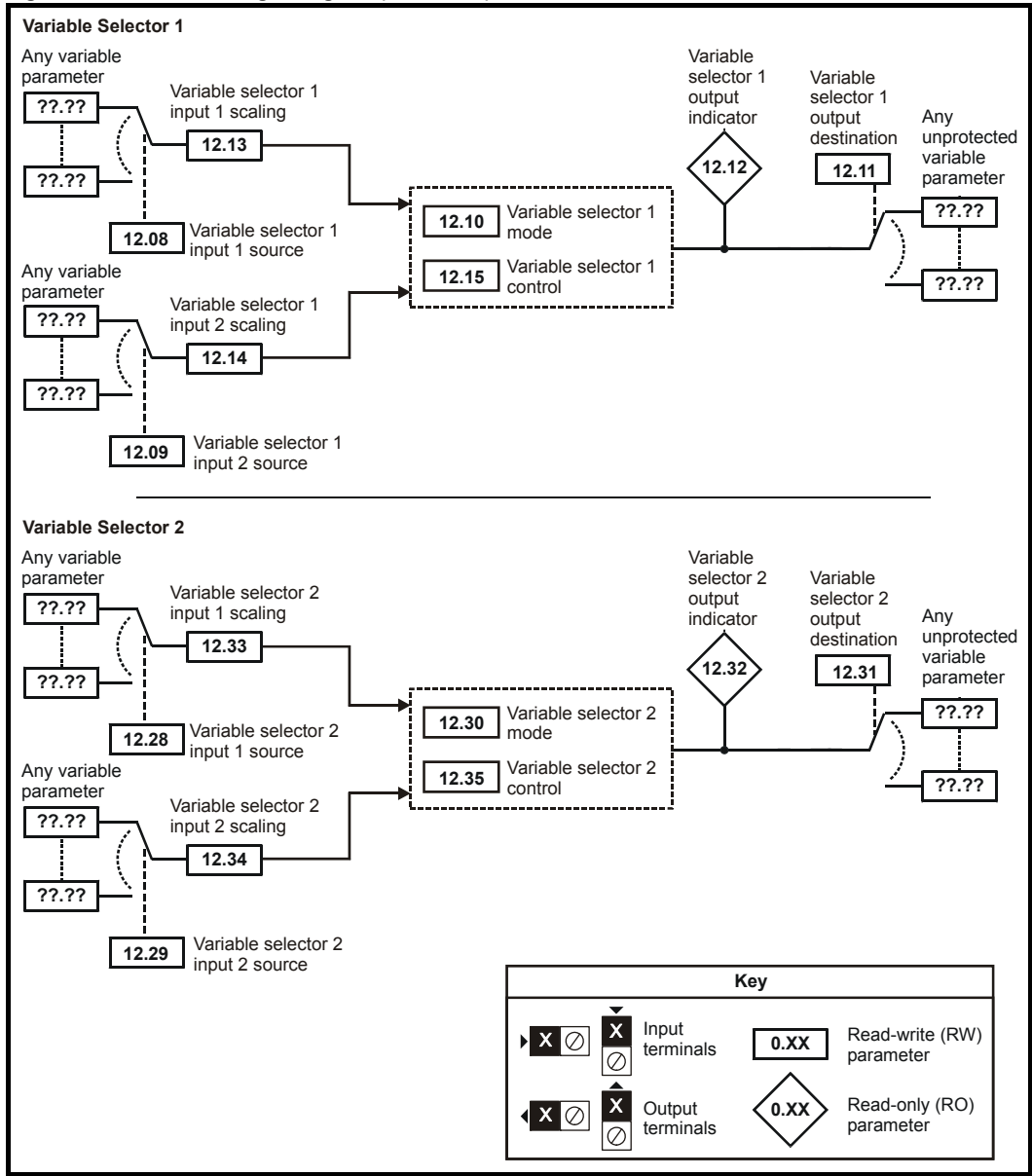


Figure 13-16 Menu 12 logic diagram (continued)





The control terminal relay can be selected as an output to release a brake. If a drive is set up in this manner and a drive replacement takes place, prior to programming the drive on initial power up, the brake may be released. When drive terminals are programmed to non default settings the result of incorrect or delayed programming must be considered. The use of a Smartcard in boot mode or an SM-Applications module can ensure drive parameters are immediately programmed to avoid this situation.

Figure 13-17 Open-loop brake function

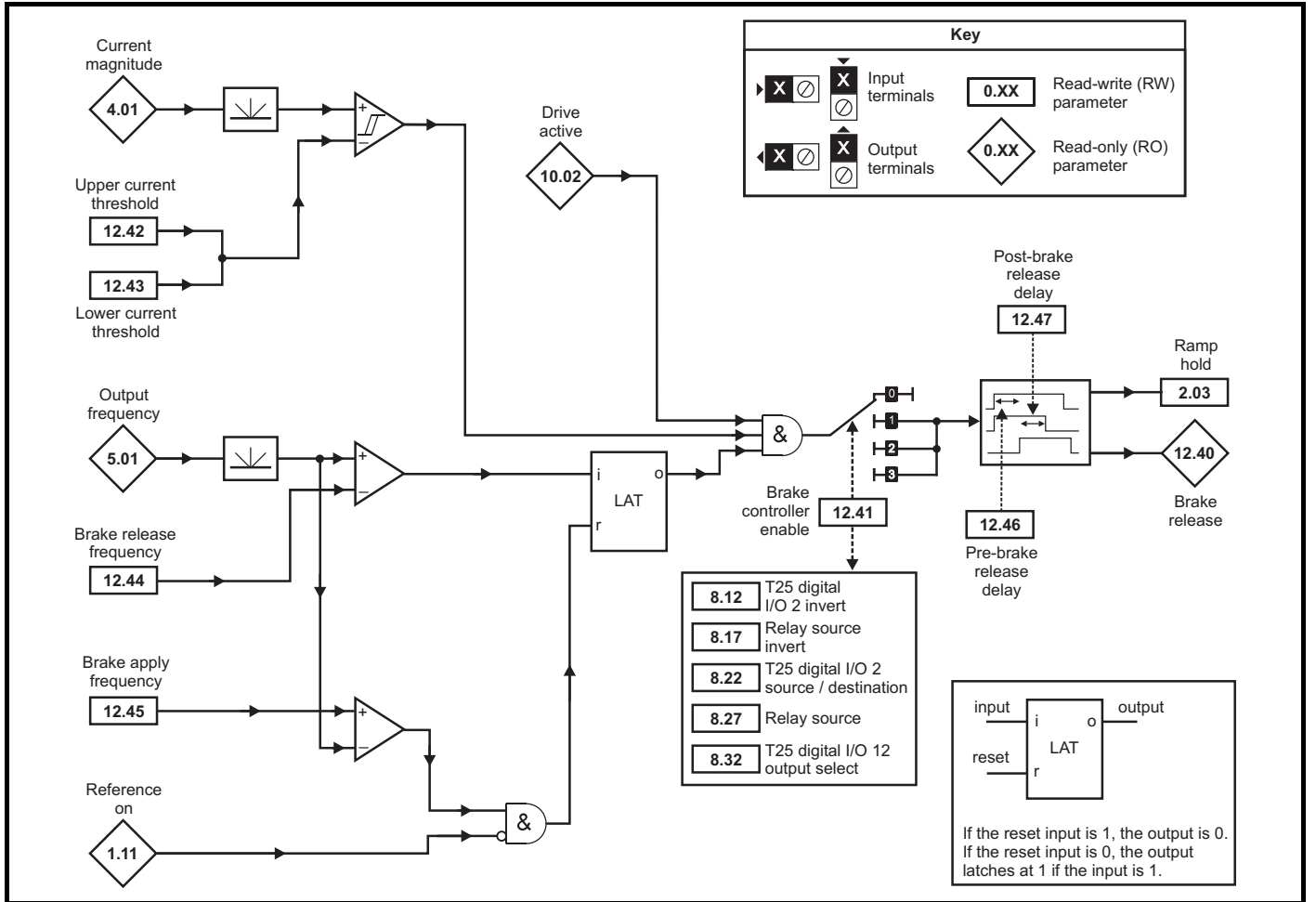
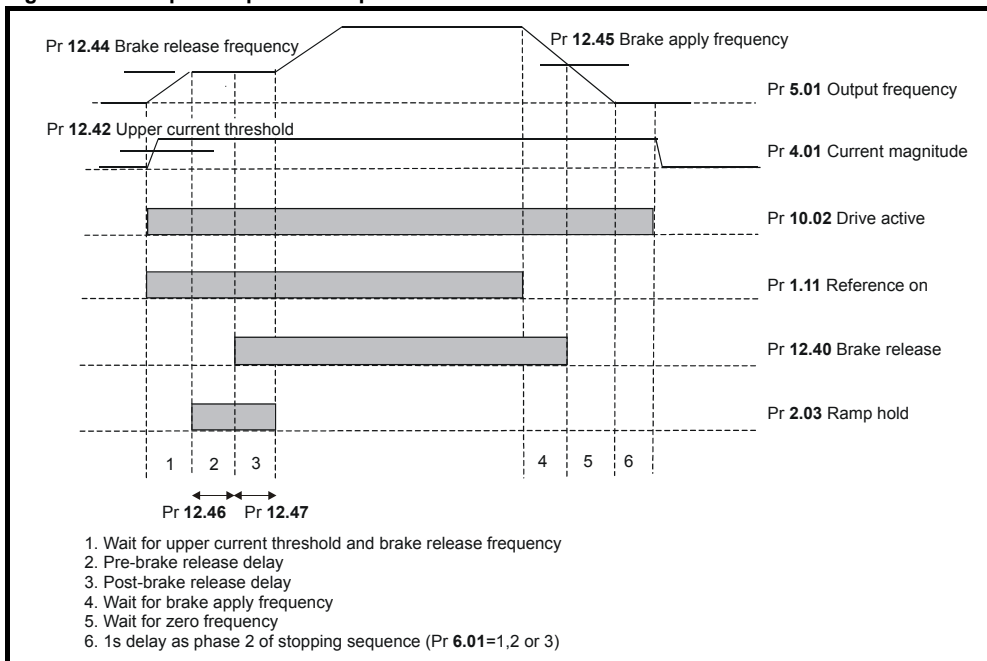


Figure 13-18 Open-loop brake sequence





The control terminal relay can be selected as an output to release a brake. If a drive is set up in this manner and a drive replacement takes place, prior to programming the drive on initial power up, the brake may be released. When drive terminals are programmed to non default settings the result of incorrect or delayed programming must be considered. The use of a Smartcard in boot mode or an SM-Applications module can ensure drive parameters are immediately programmed to avoid this situation.

Figure 13-19 Closed-loop brake function

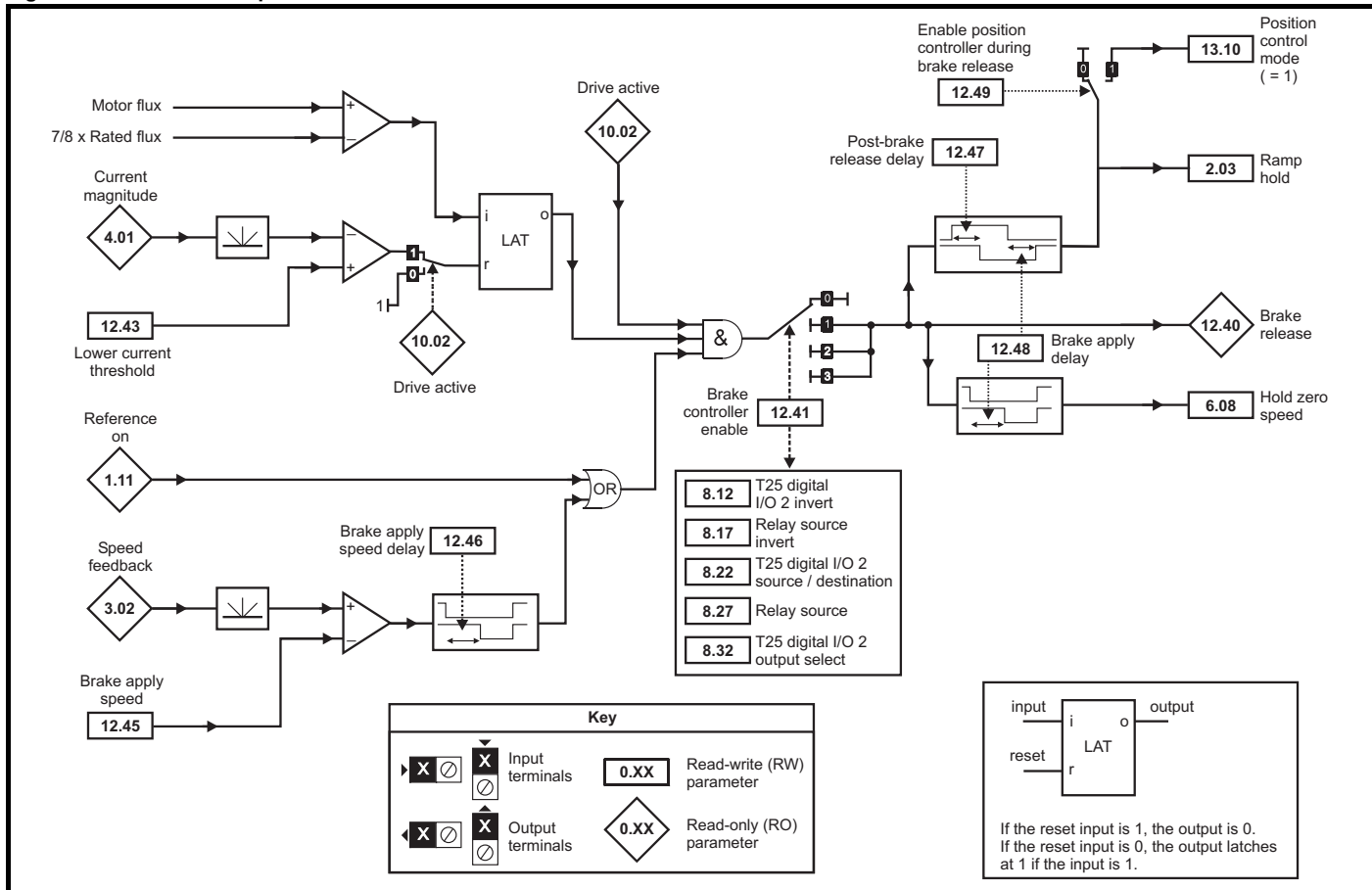
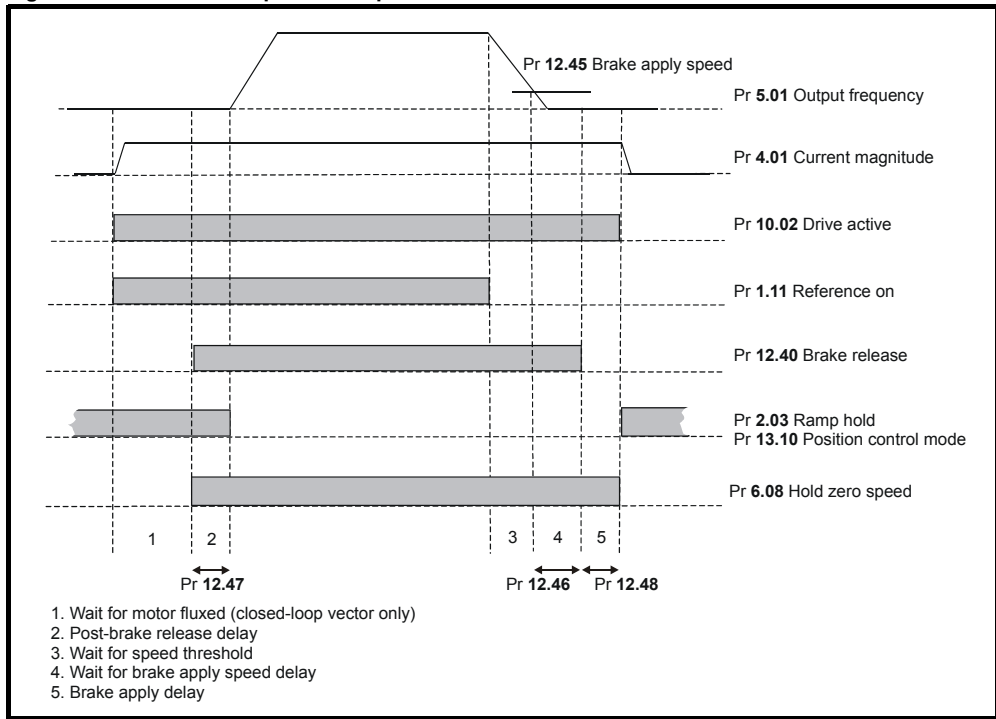


Figure 13-20 Closed-loop brake sequence





The control terminal relay can be selected as an output to release a brake. If a drive is set up in this manner and a drive replacement takes place, prior to programming the drive on initial power up, the brake may be released.

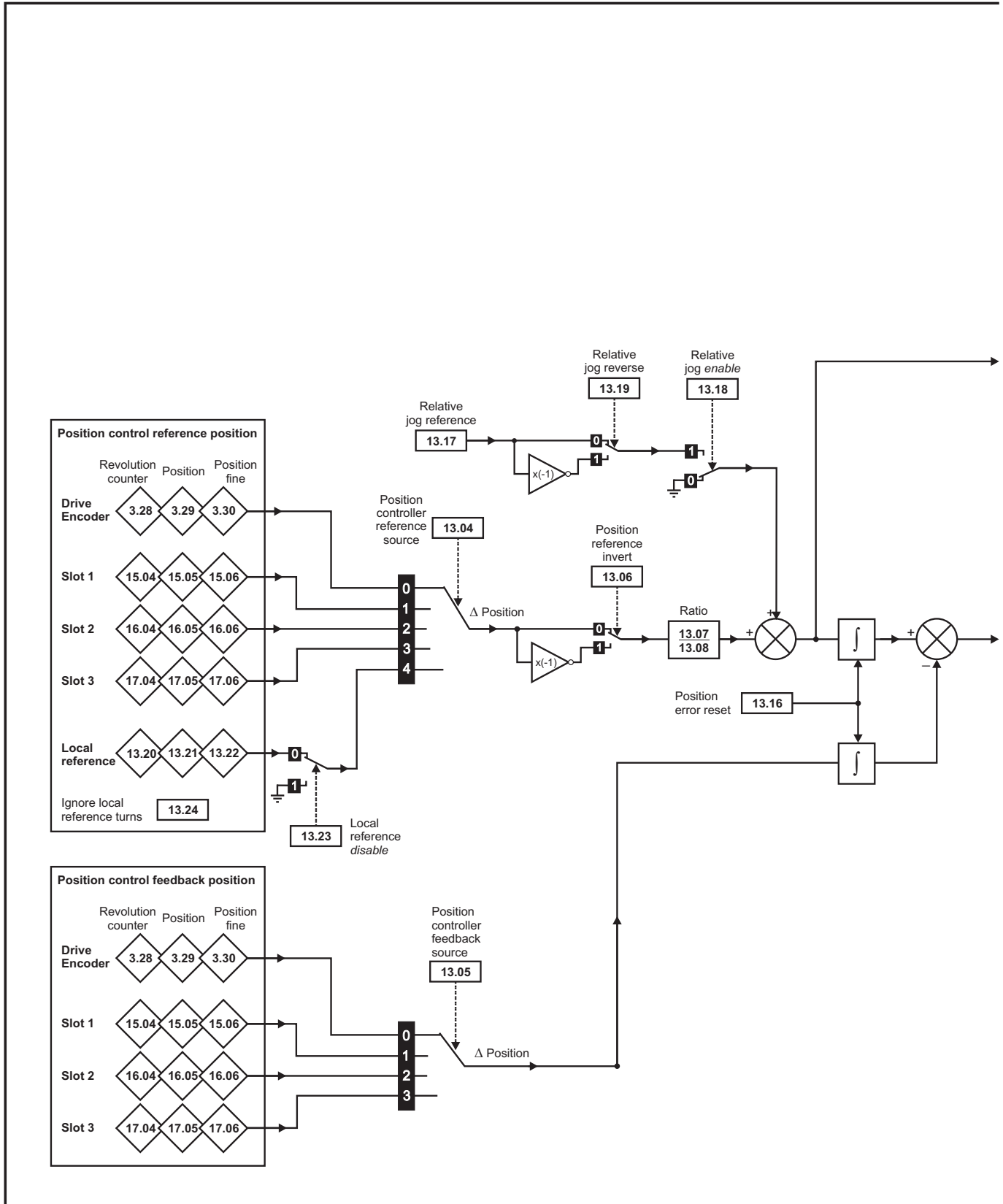
When drive terminals are programmed to non default settings the result of incorrect or delayed programming must be considered. The use of a Smartcard in boot mode or an SM-Applications module can ensure drive parameters are immediately programmed to avoid this situation.

Parameter	Range(⇅)		Default(⇔)			Type					
	OL	CL	OL	VT	SV	RO	Bit	NC	PT	US	
12.01	Threshold detector 1 output		OFF (0) or On (1)			RO	Bit	NC	PT	US	
12.02	Threshold detector 2 output		OFF (0) or On (1)			RO	Bit	NC	PT	US	
12.03	Threshold detector 1 source		Pr 0.00 to 21.51			RW	Uni		PT	US	
12.04	Threshold detector 1 level		0.00 to 100.00 %			RW	Uni			US	
12.05	Threshold detector 1 hysteresis		0.00 to 25.00 %			RW	Uni			US	
12.06	Threshold detector 1 output invert		OFF (0) or On (1)			RW	Bit			US	
12.07	Threshold detector 1 destination		Pr 0.00 to 21.51			RW	Uni	DE	PT	US	
12.08	Variable selector 1 source 1		Pr 0.00 to 21.51			RW	Uni		PT	US	
12.09	Variable selector 1 source 2		Pr 0.00 to 21.51			RW	Uni		PT	US	
12.10	Variable selector 1 mode		Select input 1 (0), select input 2 (1), add (2), subtract (3), multiply (4), divide (5), time constant (6), linear ramp (7), modulus (8), powers (9), sectional control (10), external rectifier monitor (11)			RW	Uni			US	
12.11	Variable selector 1 destination		Pr 0.00 to 21.51			RW	Uni	DE	PT	US	
12.12	Variable selector 1 output		±100.00 %			RO	Bi	NC	PT	US	
12.13	Variable selector 1 source 1 scaling		±4.000			RW	Bi			US	
12.14	Variable selector 1 source 2 scaling		±4.000			RW	Bi			US	
12.15	Variable selector 1 control		0.00 to 100.00 s			RW	Uni			US	
12.23	Threshold detector 2 source		Pr 0.00 to 21.51			RW	Uni		PT	US	
12.24	Threshold detector 2 level		0.00 to 100.00 %			RW	Uni			US	
12.25	Threshold detector 2 hysteresis		0.00 to 25.00 %			RW	Uni			US	
12.26	Threshold detector 2 output invert		OFF (0) or On (1)			RW	Bit			US	
12.27	Threshold detector 2 destination		Pr 0.00 to 21.51			RW	Uni	DE	PT	US	
12.28	Variable selector 2 source 1		Pr 0.00 to 21.51			RW	Uni		PT	US	
12.29	Variable selector 2 source 2		Pr 0.00 to 21.51			RW	Uni		PT	US	
12.30	Variable selector 2 mode		Select input 1 (0), select input 2 (1), add (2), subtract (3), multiply (4), divide (5), time constant (6), linear ramp (7), modulus (8), powers (9), sectional control (10), external rectifier monitor (11)			RW	Uni			US	
12.31	Variable selector 2 destination		Pr 0.00 to 21.51			RW	Uni	DE	PT	US	
12.32	Variable selector 2 output		±100.00 %			RO	Bi	NC	PT	US	
12.33	Variable selector 2 source 1 scaling		±4.000			RW	Bi			US	
12.34	Variable selector 2 source 2 scaling		±4.000			RW	Bi			US	
12.35	Variable selector 2 control		0.00 to 100.00 s			RW	Uni			US	
12.40	Brake release indicator		OFF (0) or On (1)			RO	Bit	NC	PT	US	
12.41	Brake controller enable		dis (0), rEL (1), d IO (2), USEr (3)			RW	Txt			US	
12.42	Upper current threshold		0 to 200 %			50				US	
12.43	Lower current threshold		0 to 200 %			10				US	
12.44	Brake release frequency		0.0 to 20.0 Hz			1.0				US	
12.45	Brake apply frequency / speed		0.0 to 20.0 Hz / 0 to 200 rpm			2.0 / 5				US	
12.46	OL> Pre-brake release delay		0.0 to 25.0 s			1.0			RW	Uni	US
	CL> Brake apply speed delay										
12.47	Post brake release delay		0.0 to 25.0 s			1.0			RW	Uni	US
12.48	Brake apply delay		0.0 to 25.0 s			1.0			RW	Uni	US
12.49	Enable position controller during brake release		OFF (0) or On (1)			OFF (0)			RW	Bit	US

RW	Read / Write	RO	Read only	Uni	Unipolar	Bi	Bi-polar	Bit	Bit parameter	Txt	Text string		
FI	Filtered	DE	Destination	NC	Not copied	RA	Rating dependent	PT	Protected	US	User save	PS	Power down save

13.13 Menu 13: Position control

Figure 13-21 Menu 13 Open-loop logic diagram



*For more information, refer to section 13.21.9 *Position modes* on page 261.

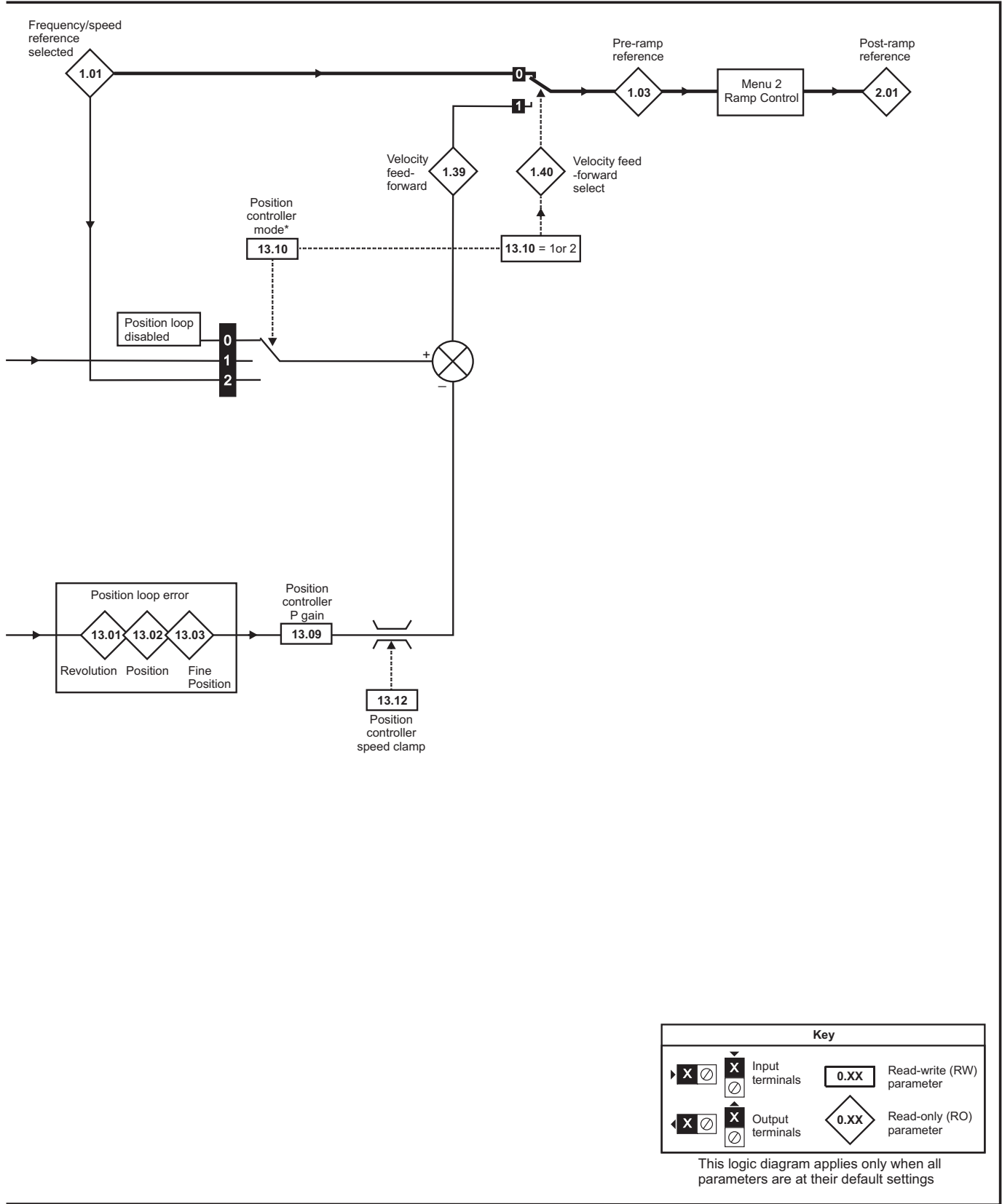
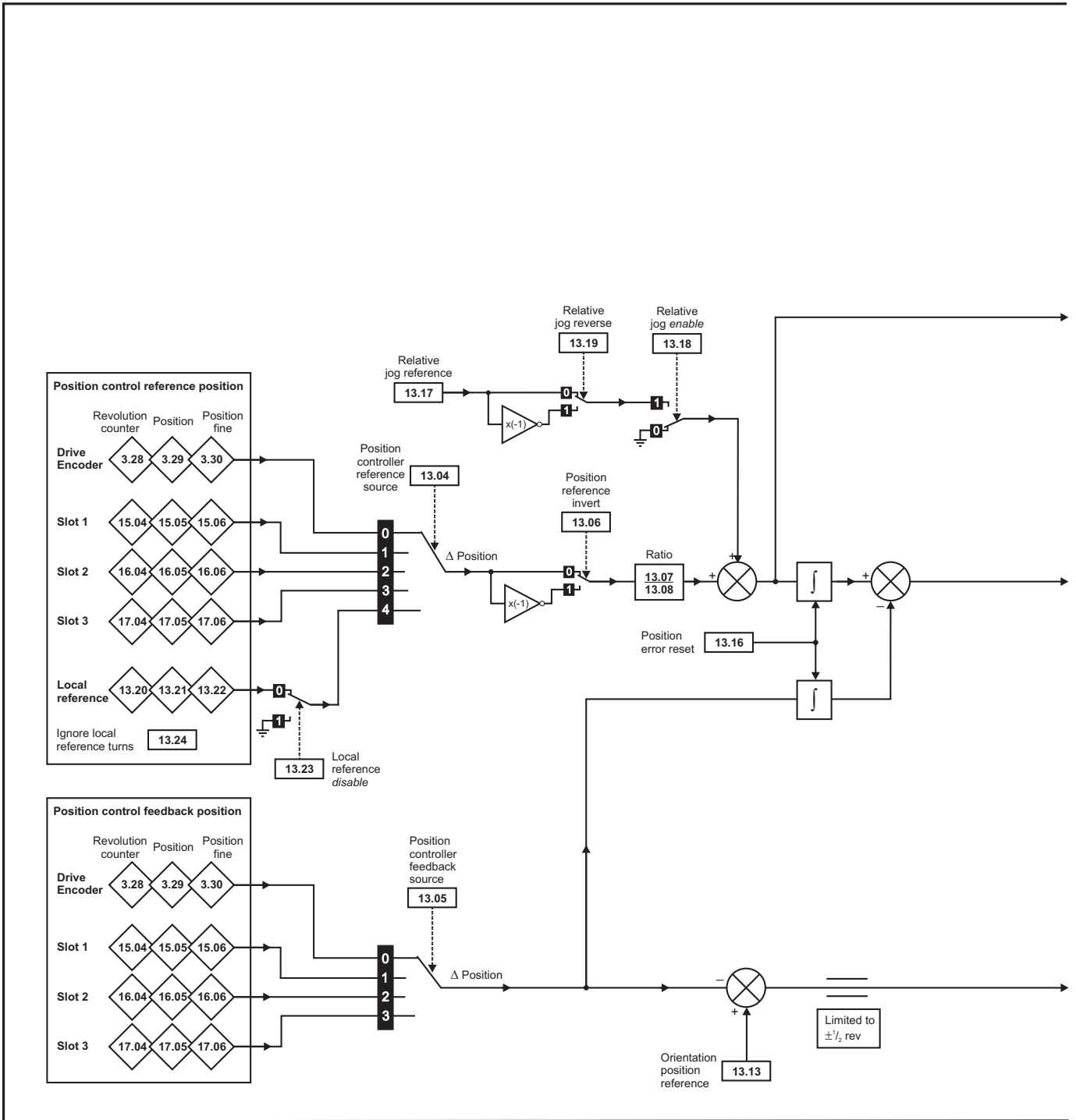
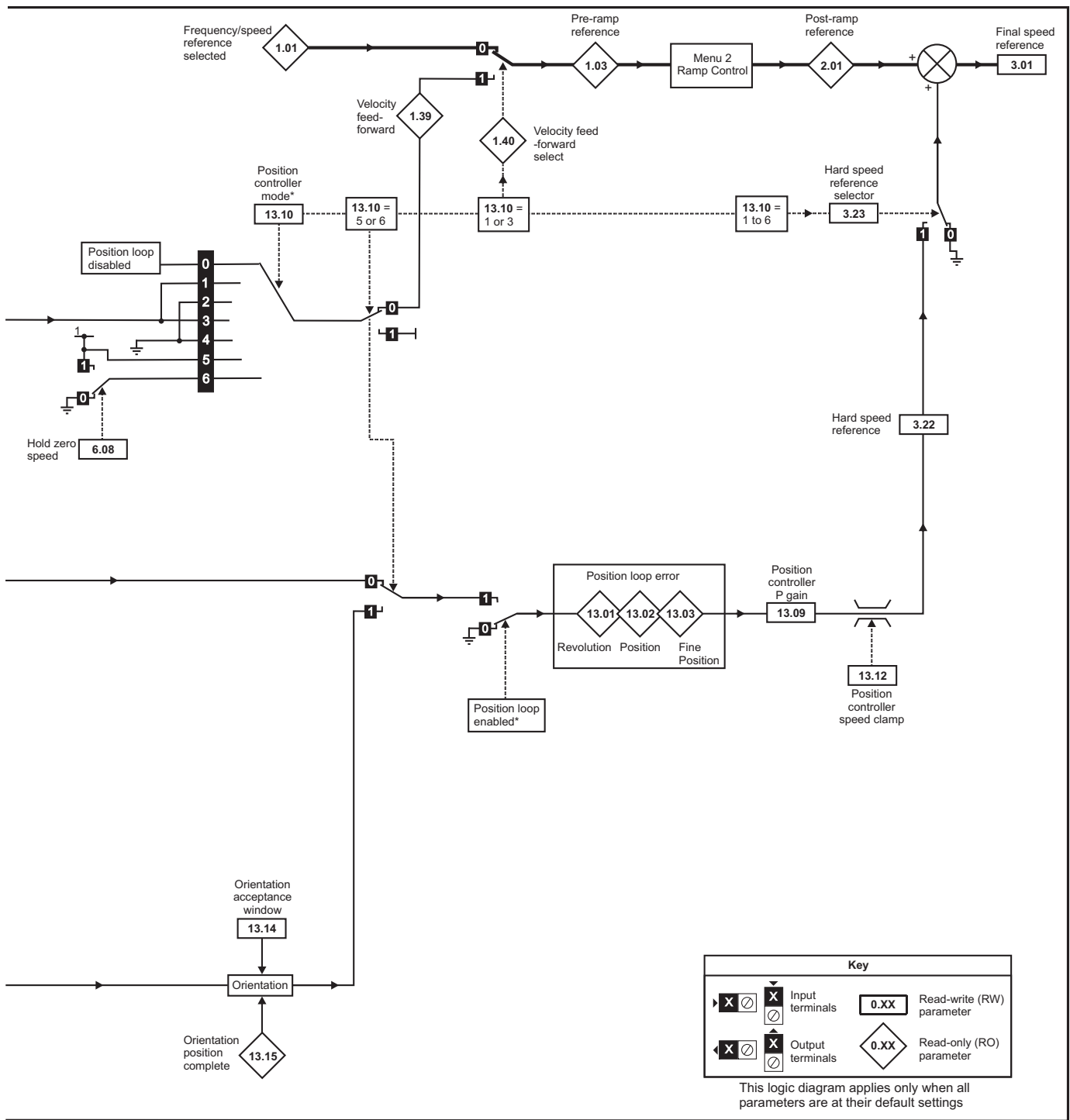


Figure 13-22 Menu 13 Closed-loop logic diagram



*For more information, refer to section 13.21.9 *Position modes* on page 261.



* The position controller is disabled and the error integrator is also reset under the following conditions:

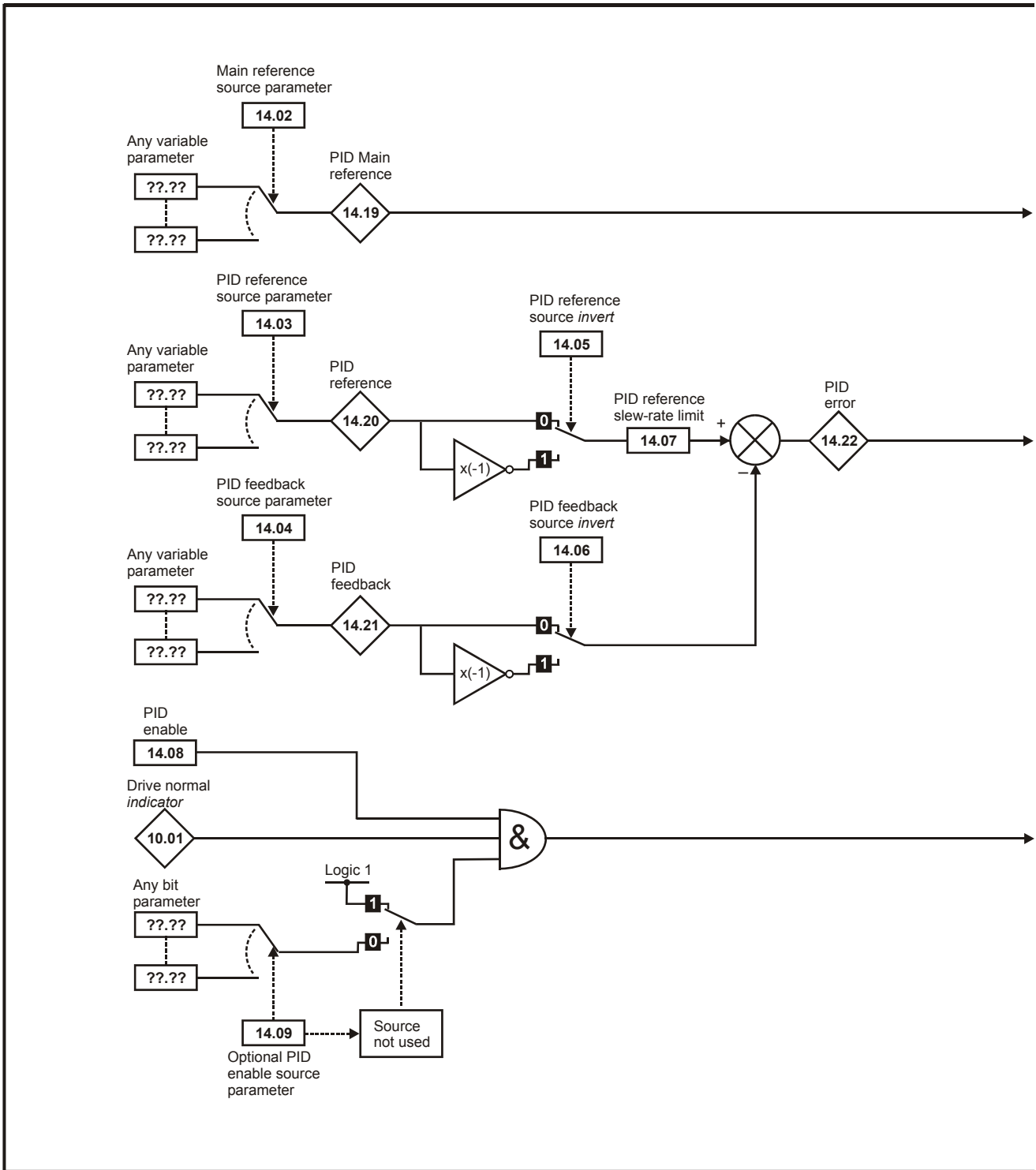
1. If the drive is disabled (i.e. inhibited, ready or tripped)
2. If the position controller mode (Pr 13.10) is changed. The position controller is disabled transiently to reset the error integrator.
3. The absolute mode parameter (Pr 13.11) is changed. The position controller is disabled transiently to reset the error integrator.
4. One of the position sources is invalid.
5. The position feedback initialised parameter (Pr 3.48) is zero.

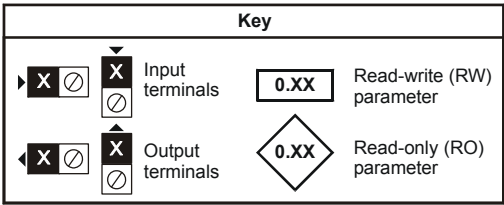
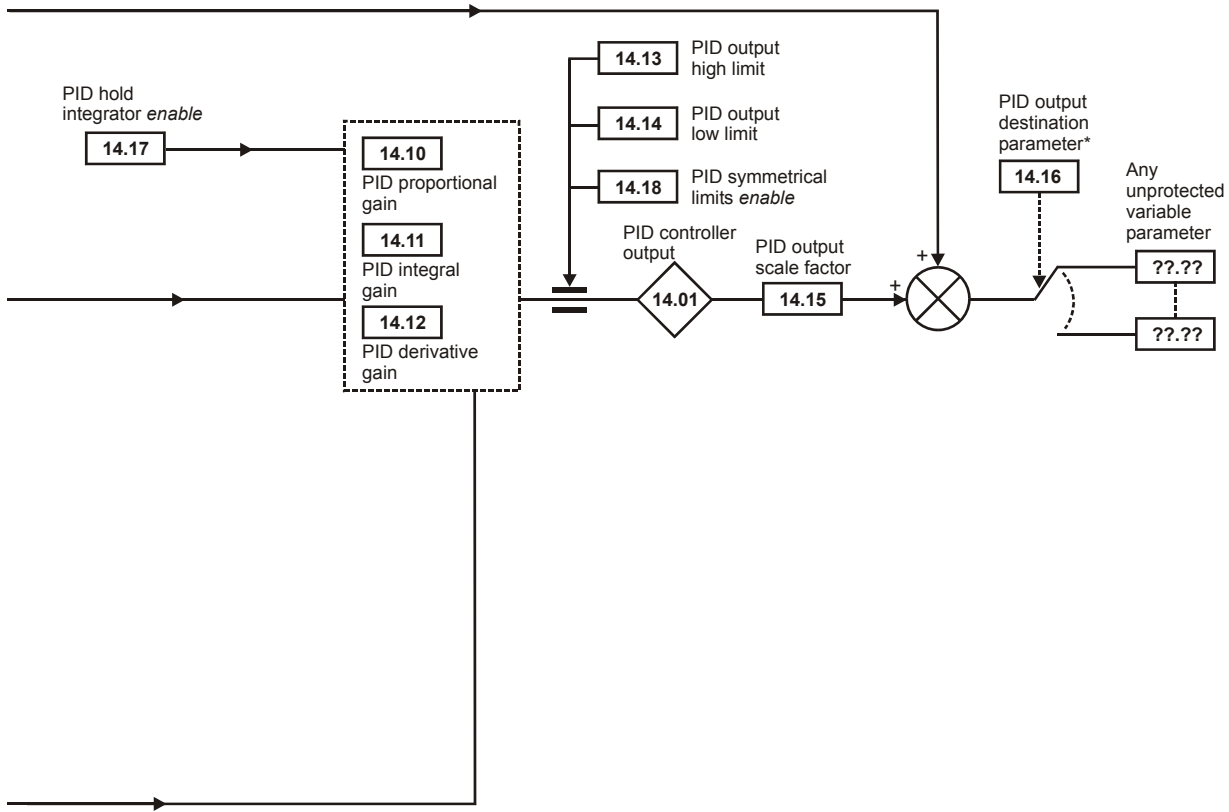
Parameter	Range(⇅)		Default(⇔)			Type								
	OL	CL	OL	VT	SV									
13.01	Revolutions error	-32,768 to +32,767							RO	Bi		NC	PT	
13.02	Position error	-32,768 to +32,767							RO	Uni		NC	PT	
13.03	Fine position error	-32,768 to +32,767							RO	Uni		NC	PT	
13.04	Position controller reference source	drv (0), Slot1 (1), Slot2 (2), Slot3 (3), LocAL (4)		drv (0)						RW	Uni			US
13.05	Position controller feedback source	drv (0), Slot1 (1), Slot2 (2), Slot3 (3)		drv (0)						RW	Uni			US
13.06	Position reference invert	OFF (0) or On (1)		OFF (0)						RW	Bit			US
13.07	Ratio numerator	0.000 to 4.000		1.000						RW	Uni			US
13.08	Ratio denominator	0.000 to 1.000		1.000						RW	Uni			US
13.09	Position controller P gain	0.00 to 100.00 rad s ⁻¹ /rad		25.00						RW	Uni			US
13.10	Position controller mode	Position controller disabled (0) Rigid position control - feed fwd (1) Rigid position control (2)	Position controller disabled (0) Rigid position control - feed fwd (1) Rigid position control (2) Rigid position control (2)	Position controller disabled (0)						RW	Uni			US
13.11	Absolute mode enable	OFF (0) or On (1)		OFF (0)						RW	Bit			US
13.12	Position controller speed clamp	0 to 250		150						RW	Uni			US
13.13	Orientation position reference		0 to 65,535		0				RW	Uni				US
13.14	Orientation acceptance window		0 to 4,096		256				RW	Uni				US
13.15	Orientation position complete		OFF (0) or On (1)						RO	Bit		NC	PT	
13.16	Position error reset	OFF (0) or On (1)		OFF (0)						RW	Bit		NC	
13.17	Relative jog reference	0.0 to 4,000.0 rpm		0.0						RW	Uni		NC	
13.18	Relative jog enable	OFF (0) or On (1)		OFF (0)						RW	Bit		NC	
13.19	Relative jog reverse	OFF (0) or On (1)		OFF (0)						RW	Bit		NC	
13.20	Local reference turns	0 to 65,535		0						RW	Uni		NC	
13.21	Local reference position	0 to 65,535		0						RW	Uni		NC	
13.22	Local reference fine position	0 to 65,535		0						RW	Uni		NC	
13.23	Local reference disable	OFF (0) or On (1)		OFF (0)						RW	Bit		NC	
13.24	Ignore local reference turns	OFF (0) or On (1)		OFF (0)						RW	Bit			US

RW	Read / Write	RO	Read only	Uni	Unipolar	Bi	Bi-polar	Bit	Bit parameter	Txt	Text string		
FI	Filtered	DE	Destination	NC	Not copied	RA	Rating dependent	PT	Protected	US	User save	PS	Power down save

13.14 Menu 14: User PID controller

Figure 13-23 Menu 14 Logic diagram





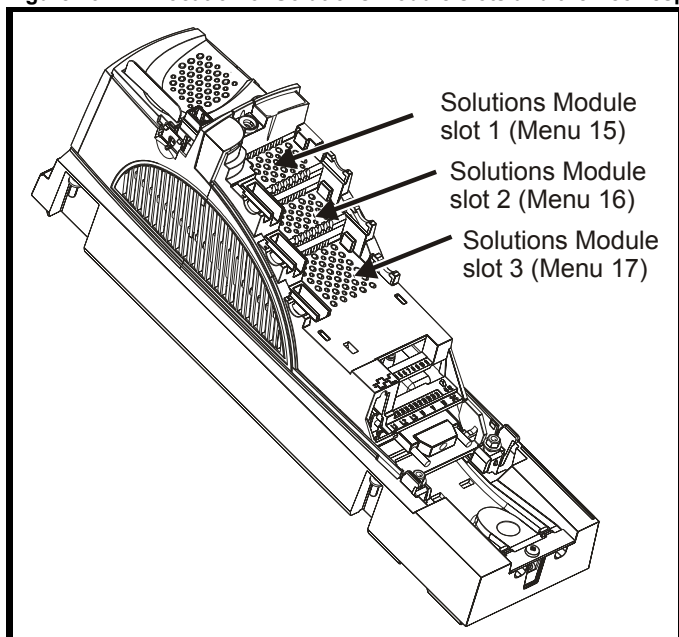
The parameters are all shown at their default settings

Parameter	Range(⇅)		Default(⇔)			Type					
	OL	CL	OL	VT	SV						
14.01	PID control output		±100.00 %			RO	Bi		NC	PT	
14.02	PID main reference source		Pr 0.00 to 21.51							PT	US
14.03	PID reference source		Pr 0.00 to 21.51							PT	US
14.04	PID feedback source		Pr 0.00 to 21.51							PT	US
14.05	PID reference source invert		OFF (0) or On (1)								US
14.06	PID feedback source invert		OFF (0) or On (1)								US
14.07	PID reference slew-rate limit		0.0 to 3,200.0 s								US
14.08	PID enable		OFF (0) or On (1)								US
14.09	PID optional enable source		Pr 0.00 to 21.51							PT	US
14.10	PID proportional gain		0.000 to 4.000								US
14.11	PID integral gain		0.000 to 4.000								US
14.12	PID derivative gain		0.000 to 4.000								US
14.13	PID upper limit		0.00 to 100.00 %								US
14.14	PID lower limit		±100.00 %								US
14.15	PID output scaling factor		0.000 to 4.000								US
14.16	PID output destination		Pr 0.00 to 21.51							PT	US
14.17	PID hold integrator enable		OFF (0) or On (1)							NC	
14.18	PID symmetrical limits enable		OFF (0) or On (1)								US
14.19	PID main reference		±100.00 %			RO	Bi		NC	PT	
14.20	PID reference		±100.00 %			RO	Bi		NC	PT	
14.21	PID feedback		±100.00 %			RO	Bi		NC	PT	
14.22	PID error		±100.00 %			RO	Bi		NC	PT	

RW	Read / Write	RO	Read only	Uni	Unipolar	Bi	Bi-polar	Bit	Bit parameter	Txt	Text string		
FI	Filtered	DE	Destination	NC	Not copied	RA	Rating dependent	PT	Protected	US	User save	PS	Power down save

13.15 Menus 15, 16 and 17: Solutions Module set-up

Figure 13-24 Location of Solutions Module slots and their corresponding menu numbers



13.15.1 Parameters common to all categories

Parameter	Range(⇅)	Default(⇔)	Type					
x.01 Solutions Module ID	0 to 599		RO	Uni			PT	US
x.02 Solutions Module software version	0.00 to 99.99		RO	Uni		NC	PT	
x.50 Solutions Module error status	0 to 255		RO	Uni		NC	PT	
x.51 Solutions Module software sub-version	0 to 99		RO	Uni		NC	PT	

The Solutions Module ID indicates the type of module that is installed in the corresponding slot.

Solutions Module ID	Module	Category
0	No module installed	
101	SM-Resolver	Feedback
102	SM-Universal Encoder Plus	
104	SM-Encoder Plus / SM-Encoder Output Plus	
201	SM-I/O Plus	Automation (I/O Expansion)
203	SM-I/O Timer	
204	SM-I/O PELV	
205	SM-I/O 24V Protected	
206	SM-I/O 120V	
207	SM-I/O Lite	
208	SM-I/O 32	
301	SM-Applications	Automation (Applications)
302	SM-Applications Lite	
303	SM-EZMotion	
304	SM-Applications Plus	
401	SM-LON	Fieldbus
403	SM-PROFIBUS-DP	
404	SM-INTERBUS	
406	SM-CAN	
407	SM-DeviceNet	
408	SM-CANopen	
409	SM-SERCOS	
410	SM-Ethernet	
501	SM-SLM	

Solutions Module software

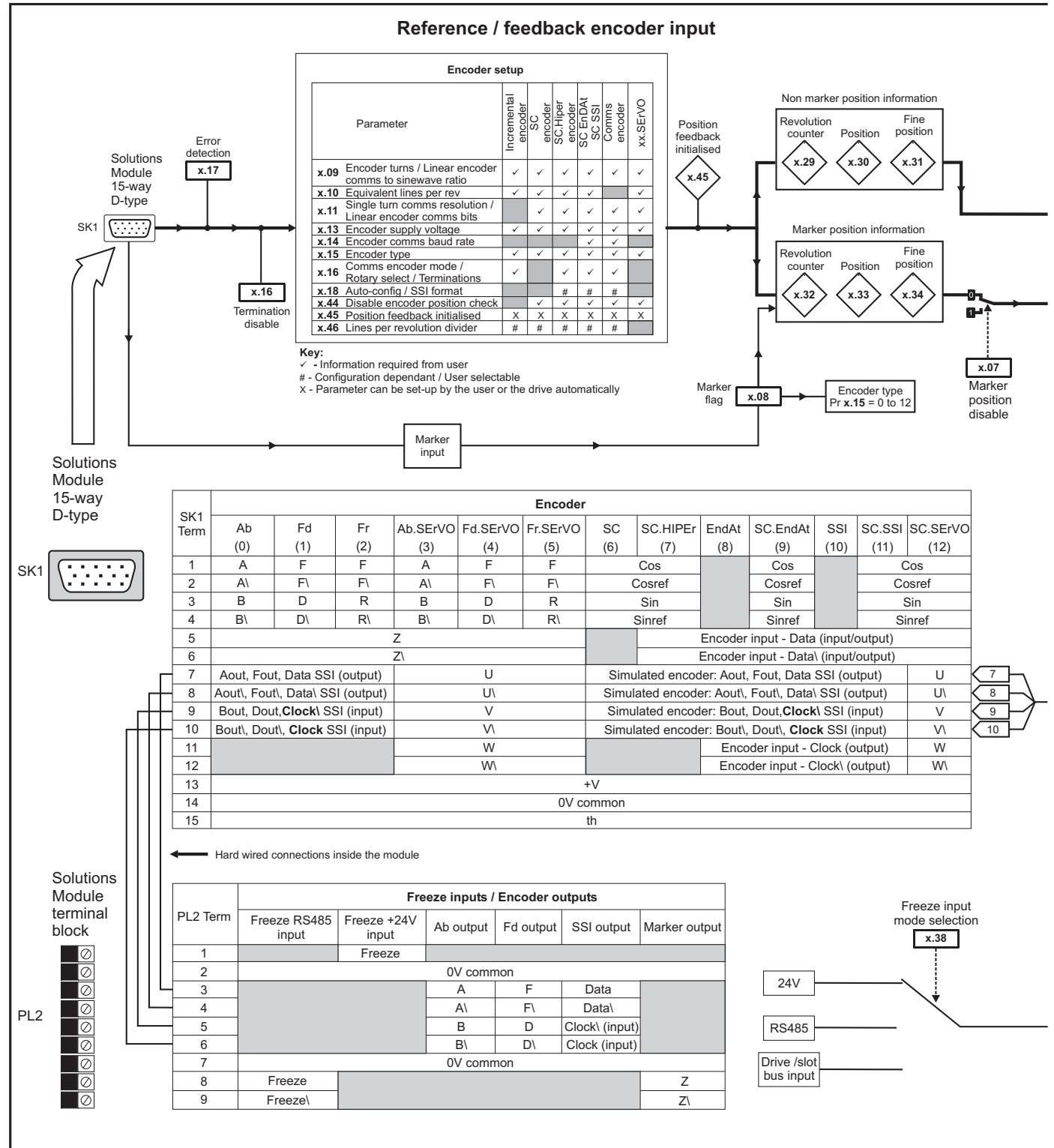
Most Solutions Modules contain software. The software version of the module can be checked by looking at Pr **x.02** and Pr **x.51**.

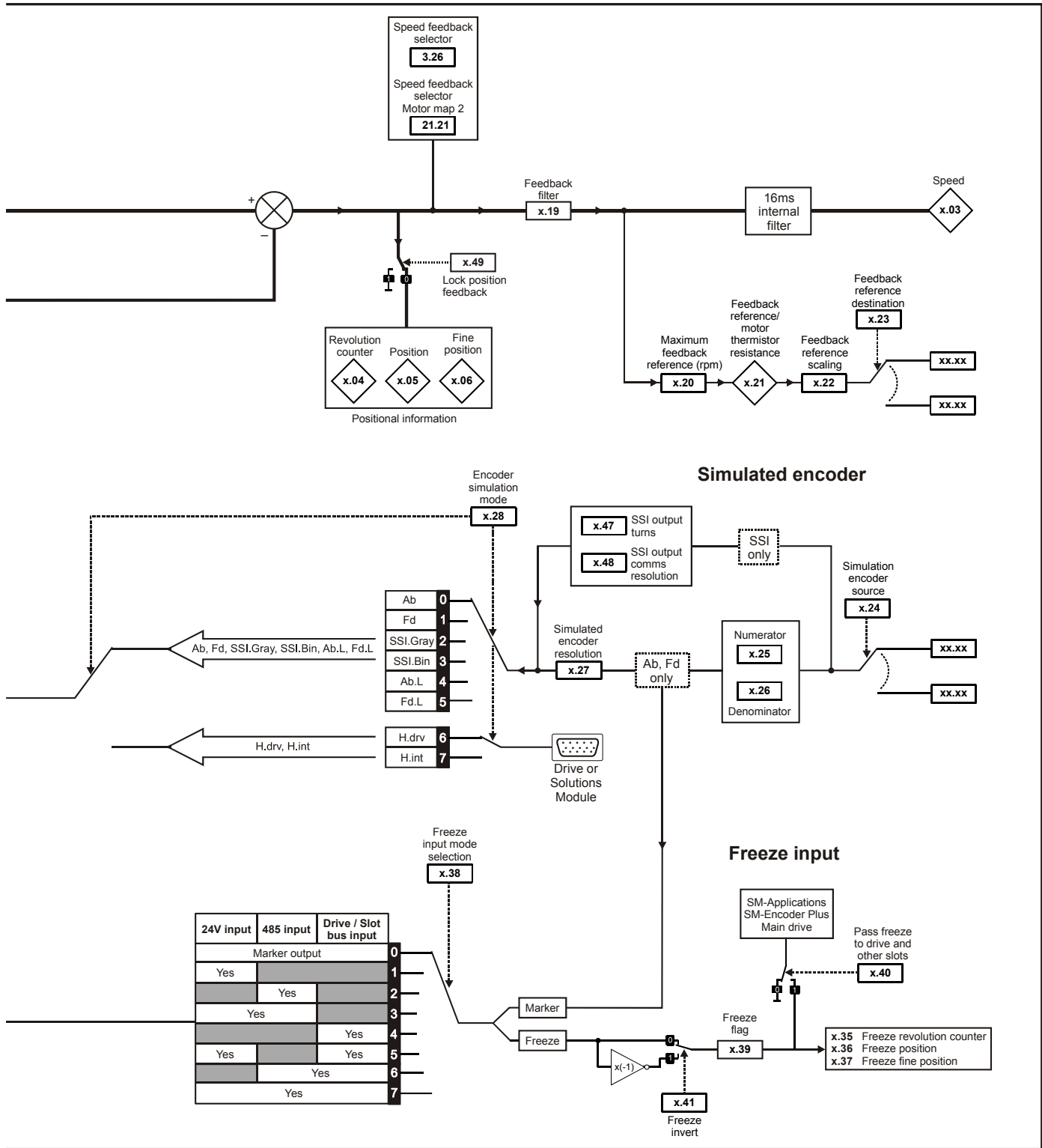
The software version takes the form of zz.yy.xx, where Pr **x.02** displays zz.yy and Pr **x.51** displays xx. I.e. for software version 01.01.00, Pr **x.02** would display 1.01 and Pr **x.51** would display 0

The SM-Resolver, SM-Encoder Plus and SM-I/O Plus modules do not contain any software, so Pr **x.02** and Pr **x.51** either show 0 (software V01.07.01 and earlier) or the parameters do not appear (software V01.08.00 and later).

13.15.2 Feedback module category

Figure 13-25 SM-Universal Encoder Plus logic diagram





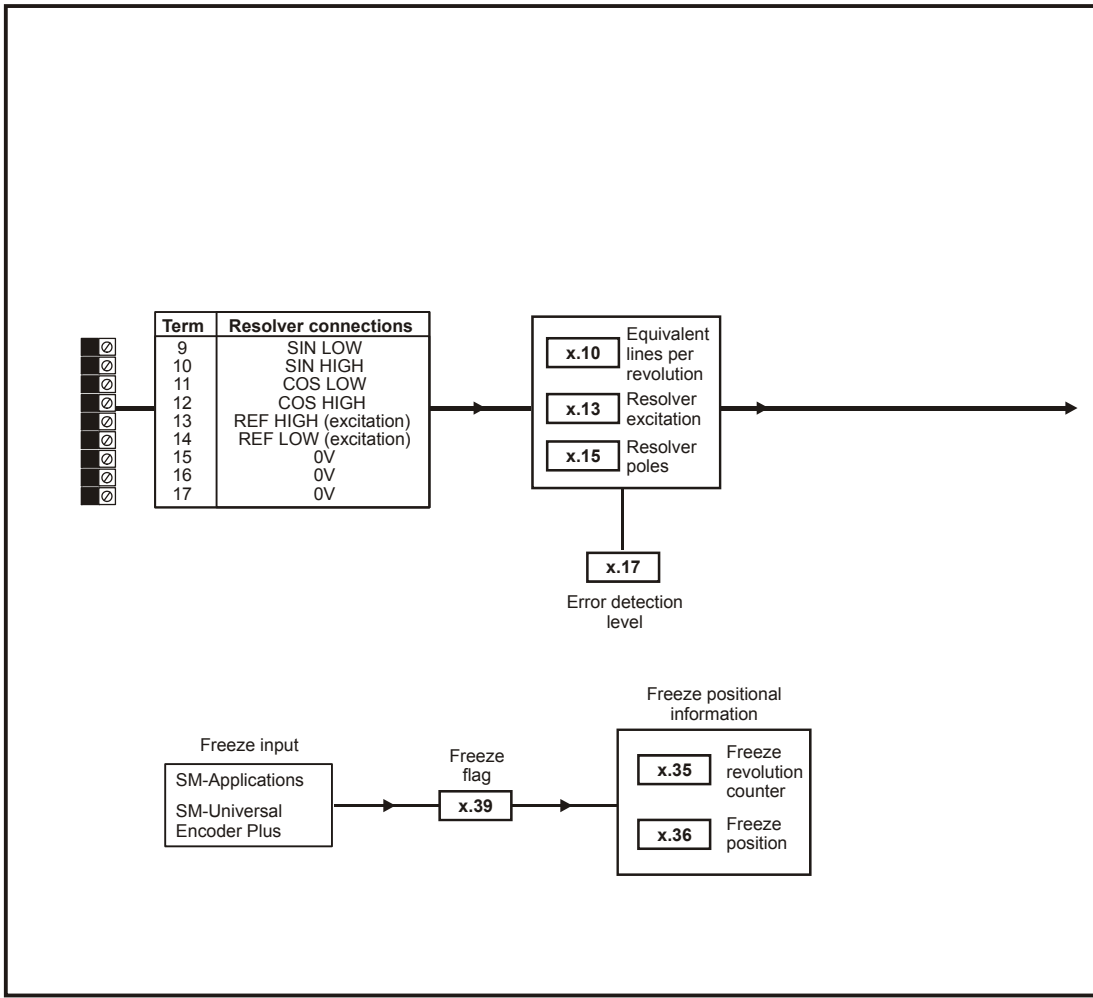
SM-Universal Encoder Plus parameters

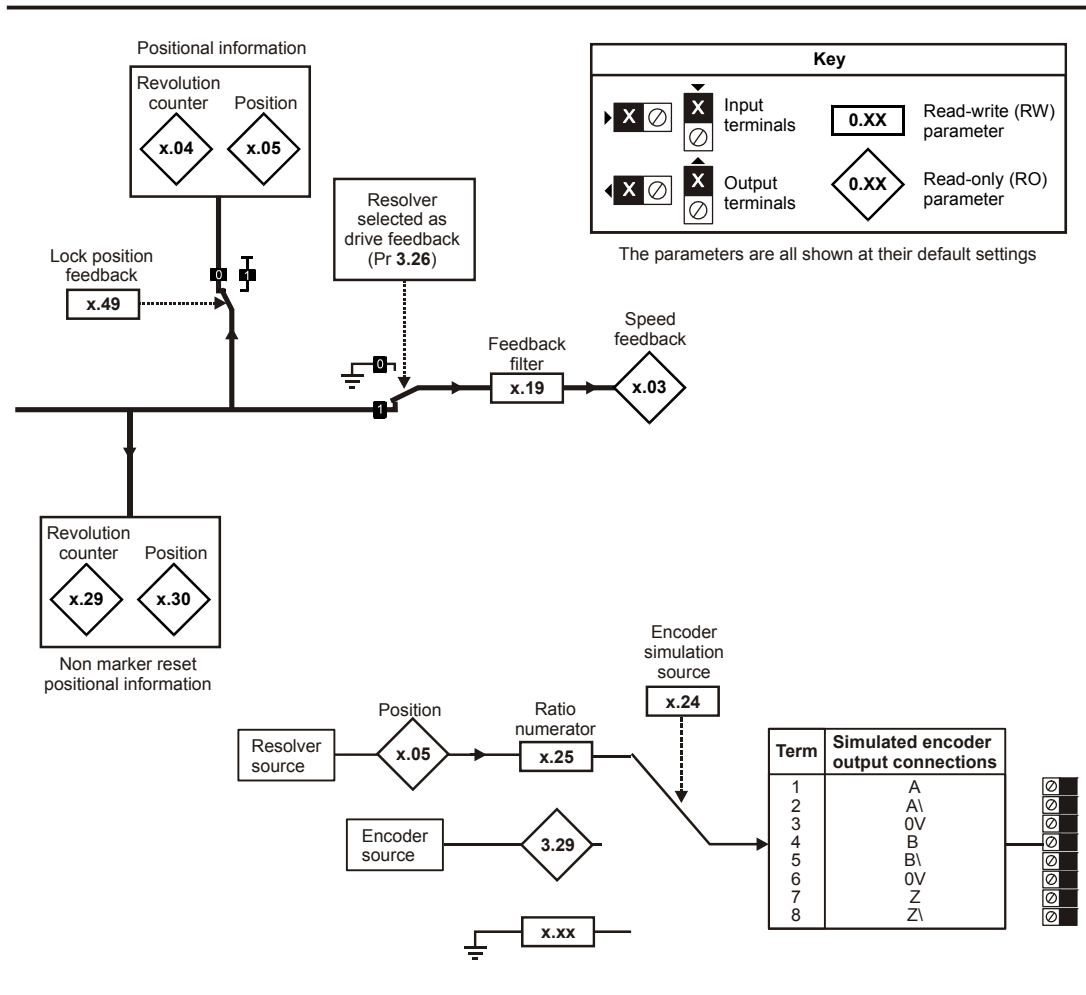
Parameter	Range(↕)	Default(↔)	Type					
			RO	Uni	FI	NC	PT	US
x.01 Solutions Module ID	0 to 599	102	RO	Uni			PT	US
x.02 Solutions Module software version	0.00 to 99.99		RO	Uni		NC	PT	
x.03 Speed	±40,000.0 rpm		RO	Bi	FI	NC	PT	
x.04 Revolution counter	0 to 65,535 revolutions		RO	Uni	FI	NC	PT	
x.05 Position	0 to 65,535 (1/2 ¹⁶ ths of a revolution)		RO	Uni	FI	NC	PT	
x.06 Fine position	0 to 65,535 (1/2 ³² nds of a revolution)		RO	Uni	FI	NC	PT	
x.07 Marker position reset disable	OFF (0) or On (1)	OFF (0)	RW	Bit				US
x.08 Marker flag	OFF (0) or On (1)	OFF (0)	RW	Bit		NC		
x.09 Encoder turns/ linear encoder comms to sine wave ratio	0 to 16 bits	16	RW	Uni				US
x.10 Equivalent lines per revolution	0 to 50,000	4096	RW	Uni				US
x.11 Single turn comms bits/ linear encoder comms bits	0 to 32 bits	0	RW	Uni				US
x.12 Motor thermistor check <i>enable</i>	OFF (0) or On (1)	OFF (0)	RW	Bit				US
x.13 Encoder supply voltage	5V (0), 8V (1), 15V (2)	5V (0)	RW	Uni				US
x.14 Encoder comms baud rate	100 (0), 200 (1), 300 (2), 400 (3), 500 (4), 1,000 (5), 1,500 (6), 2,000 (7)	300 (2)	RW	Txt				US
x.15 Encoder type	Ab (0), Fd (1), Fr (2), Ab.SErVO (3), Fd.SErVO (4), Fr.SErVO (5), SC (6), SC.HiPEr (7), EndAt (8), SC.EndAt (9), SSI (10), SC.SSI (11), SC.UVW (12)	Ab (0)	RW	Uni				US
x.16 Rotary encoder select/ comms only encoder mode/ terminations	0 to 2	1	RW	Uni				US
x.17 Error detection level	0 to 7	1	RW	Uni				US
x.18 Auto configuration/ SSI binary format select	OFF (0) or On (1)	OFF (0)	RW	Bit				US
x.19 Feedback filter	0 to 5 (0 to 16 ms)	0	RW	Uni				US
x.20 Maximum feedback reference	0.0 to 40,000.0 rpm	1500.0	RW	Uni				US
x.21 Feedback reference/ motor thermistor resistance	±100.0 %		RO	Bi		NC	PT	
x.22 Feedback reference scaling	0.000 to 4.000	1.000	RW	Uni				US
x.23 Feedback reference destination	Pr 0.00 to Pr 21.51	Pr 0.00	RW	Uni	DE		PT	US
x.24 Encoder simulation source	Pr 0.00 to Pr 21.51	Pr 0.00	RW	Uni			PT	US
x.25 Encoder simulation ratio numerator	0.0000 to 3.0000	0.2500	RW	Uni				US
x.26 Encoder simulation ratio denominator	0.0000 to 3.0000	1.0000	RW	Uni				US
x.27 Encoder simulation resolution select	OFF (0) or On (1)	OFF (0)	RW	Bit		NC		
x.28 Encoder simulation mode	Ab (0), Fd (1), SSI.Gray (2), SSI.Bin (3), Ab.L (4), Fd.L (5), H-drv (6), H-int (7)	Ab (0)	RW	Txt				US
x.29 Non-marker reset revolution counter	0 to 65,535 revolutions		RO	Uni		NC	PT	
x.30 Non-marker reset position	0 to 65,535 (1/2 ¹⁶ ths of a revolution)		RO	Uni		NC	PT	
x.31 Non-marker reset fine position	0 to 65,535 (1/2 ³² nds of a revolution)		RO	Uni		NC	PT	
x.32 Marker revolution counter	0 to 65,535 revolutions		RO	Uni		NC	PT	
x.33 Marker position	0 to 65,535 (1/2 ¹⁶ ths of a revolution)		RO	Uni		NC	PT	
x.34 Marker fine position	0 to 65,535 (1/2 ³² nds of a revolution)		RO	Uni		NC	PT	
x.35 Freeze revolution counter	0 to 65,535 revolutions		RO	Uni		NC	PT	
x.36 Freeze position	0 to 65,535 (1/2 ¹⁶ ths of a revolution)		RO	Uni		NC	PT	
x.37 Freeze fine position	0 to 65,535 (1/2 ³² nds of a revolution)		RO	Uni		NC	PT	
x.38 Freeze input mode selection	Bit 0 (LSB) = 24V input Bit 1 = EIA485 input Bit 2 (MSB) = From another Solutions Module	1	RW	Uni				US
x.39 Freeze flag	OFF (0) or On (1)	OFF (0)	RW	Bit		NC		
x.40 Pass freeze to drive and other slots	OFF (0) or On (1)	OFF (0)	RW	Bit		NC		US
x.41 Freeze invert	OFF (0) or On (1)	OFF (0)	RW	Bit				US
x.42 Encoder comms transmit register/ Sin signal value	0 to 65,535	0	RW	Uni		NC		
x.43 Encoder comms receive register/ Cos signal value	0 to 65,535	0	RW	Uni		NC		
x.44 Disable encoder position check	OFF (0) or On (1)	OFF (0)	RW	Bit		NC		
x.45 Position feedback initialised	OFF (0) or On (1)		RO	Bit		NC	PT	
x.46 Lines per revolution divider	1 to 1024	1	RW	Uni				US
x.47 SSI output turns	0 to 16 bits	16	RW	Uni				US
x.48 SSI output comms resolution	0 to 32 bits	0	RW	Uni				US
x.49 Lock position feedback	OFF (0) or On (1)	OFF (0)	RW	Bit				
x.50 Solutions Module error status*	0 to 255		RO	Uni		NC	PT	
x.51 Solutions Module software sub-version	0 to 99		RO	Uni		NC	PT	

RW	Read / Write	RO	Read only	Uni	Unipolar	Bi	Bi-polar	Bit	Bit parameter	Txt	Text string		
FI	Filtered	DE	Destination	NC	Not copied	RA	Rating dependent	PT	Protected	US	User save	PS	Power down save

*See trip SLX.Er, *Feedback module category* on page 284.

Figure 13-26 SM-Resolver logic diagram





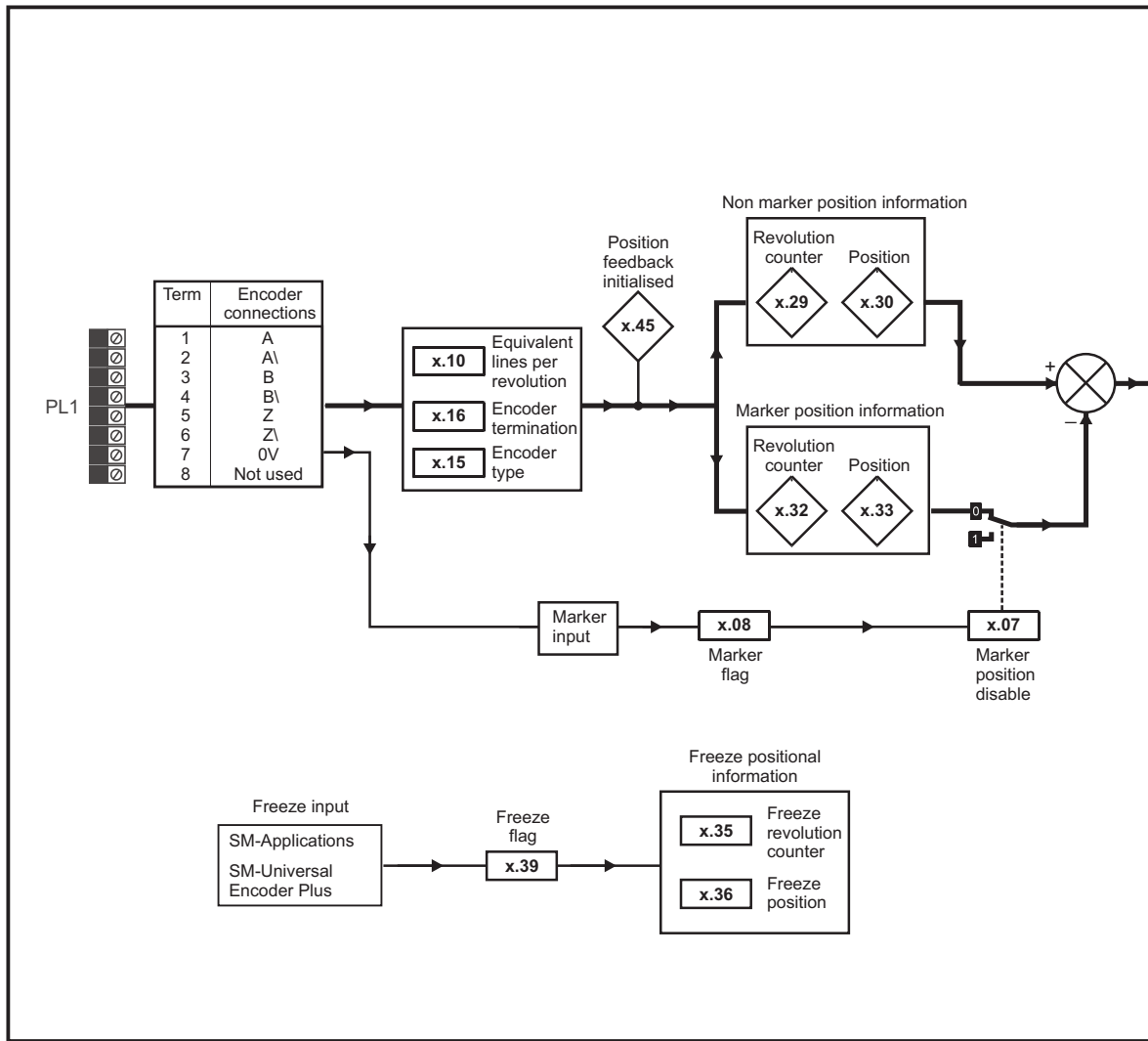
SM-Resolver parameters

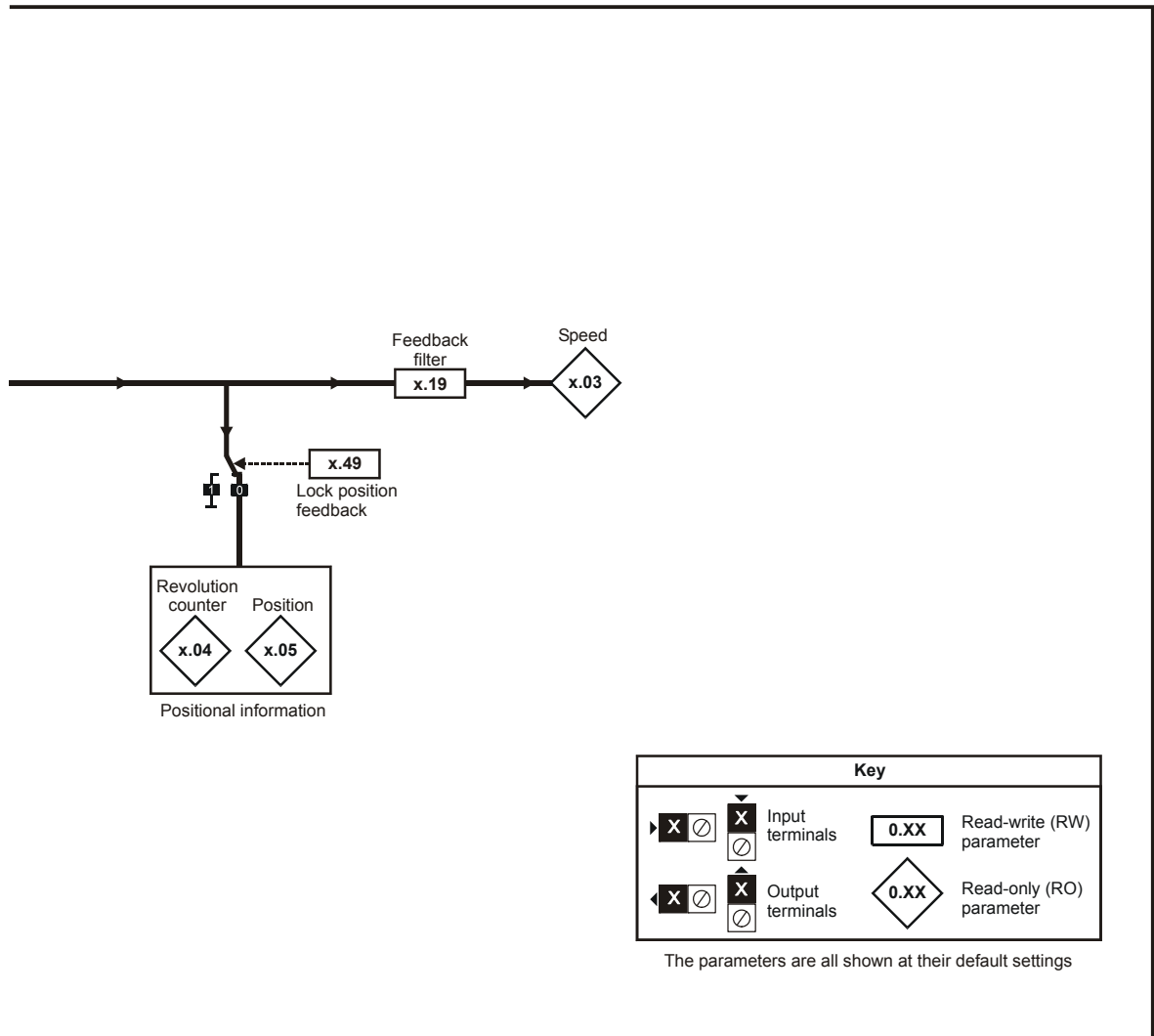
Parameter	Range(↕)	Default(↔)	Type					
x.01 Solutions Module ID	0 to 599	101	RO	Uni			PT	US
x.03 Speed	±40,000.0 rpm		RO	Bi	FI	NC	PT	
x.04 Revolution counter	0 to 65,535 revolutions		RO	Uni	FI	NC	PT	
x.05 Position	0 to 65,535 1/2 ¹⁶ ths of a revolution		RO	Uni	FI	NC	PT	
x.10 Equivalent lines per revolution	0 to 50,000	4096	RW	Uni				US
x.13 Resolver excitation	3:1 (0), 2:1 (1 or 2)	3:1 (0)	RW	Uni				US
x.15 Resolver poles	2 pole (0), 4 pole (1), 6 pole (2), 8 pole (3 to 11)	2 pole (0)	RW	Uni				US
x.17 Error detection level	Bit 0 (LSB) = Wire break detect Bit 1 = Phase error detect Bit 2 (MSB) = SSI power supply bit monitor Value is binary sum	1	RW	Uni				US
x.19 Feedback filter	0 (0), 1 (1), 2 (2), 4 (3), 8 (4), 16 (5) ms	0	RW	Txt				US
x.24 Encoder simulation source	Pr 0.00 to Pr 21.51	Pr 0.00	RW	Uni			PT	US
x.25 Encoder simulation ratio numerator	0.0000 to 3.0000	0.25	RW	Uni				US
x.29 Non-marker reset revolution counter	0 to 65,535 revolutions		RO	Uni		NC	PT	
x.30 Non-marker reset position	0 to 65,535 1/2 ¹⁶ ths of a revolution		RO	Uni		NC	PT	
x.35 Freeze revolution counter	0 to 65,535 revolutions		RO	Uni		NC	PT	
x.36 Freeze position	0 to 65,535 1/2 ¹⁶ ths of a revolution		RO	Uni		NC	PT	
x.39 Freeze flag	OFF (0) or On (1)	OFF (0)	RW	Bit		NC		
x.45 Position feedback initialised	OFF (0) or On (1)		RO	Bit		NC	PT	
x.49 Lock position feedback	OFF (0) or On (1)	OFF (0)	RW	Bit		NC		
x.50 Solutions Module error status*	0 to 255		RO	Uni		NC	PT	

RW	Read / Write	RO	Read only	Uni	Unipolar	Bi	Bi-polar	Bit	Bit parameter	Txt	Text string		
FI	Filtered	DE	Destination	NC	Not copied	RA	Rating dependent	PT	Protected	US	User save	PS	Power down save

*See trip SLX.Er, Feedback module category on page 284.

Figure 13-27 SM-Encoder Plus logic diagram

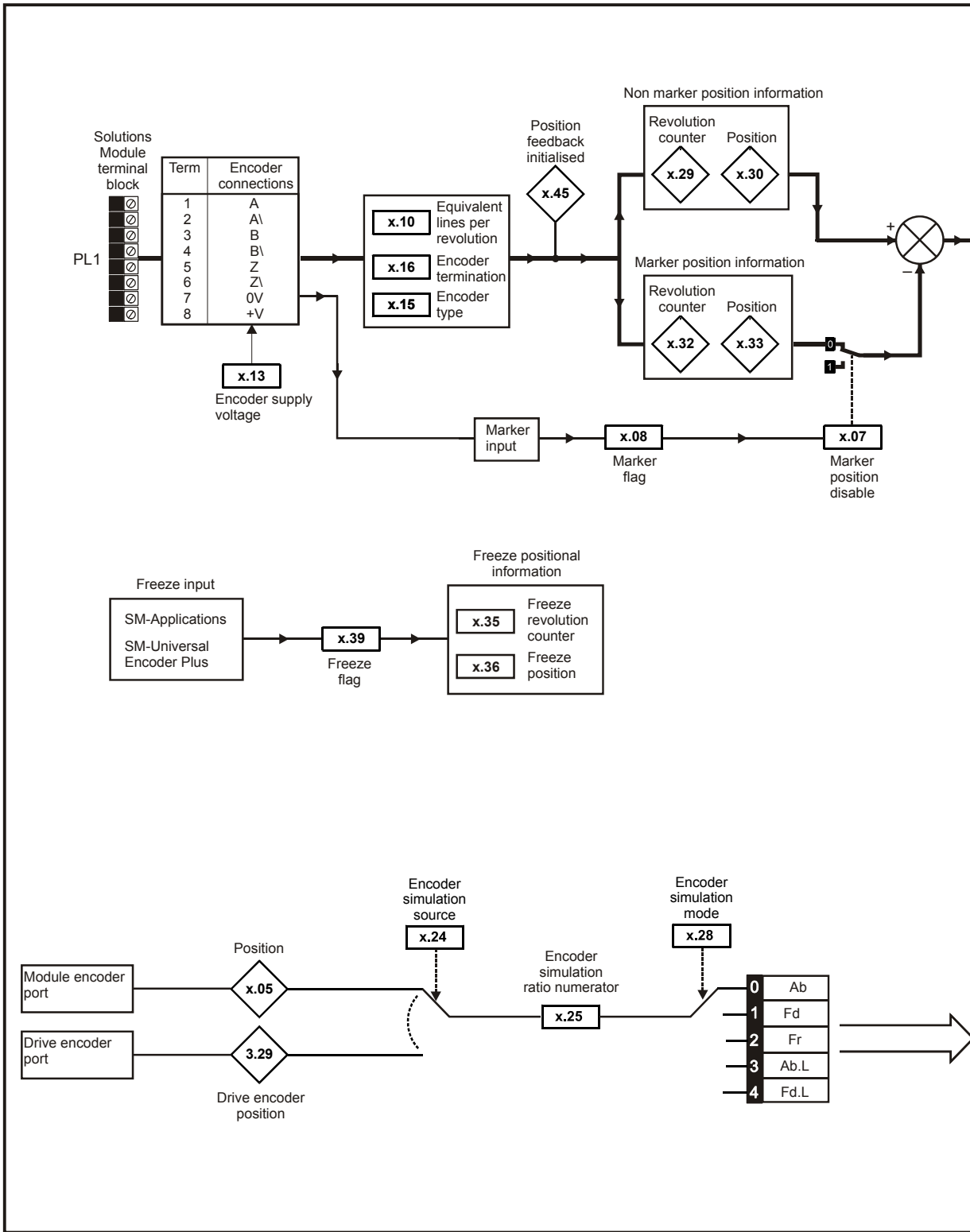


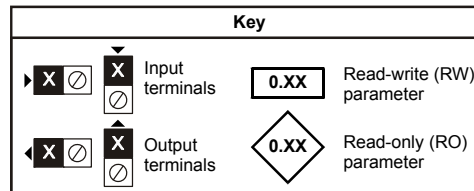
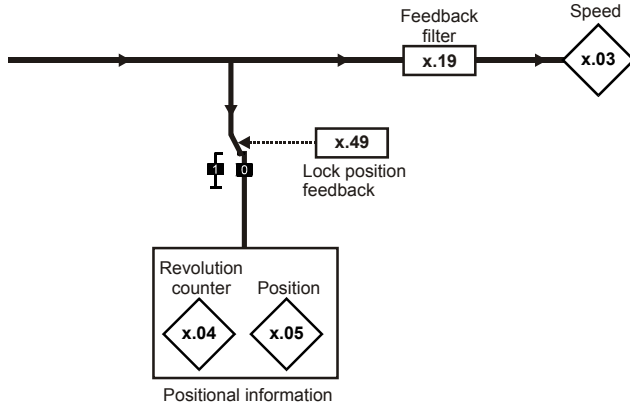


Key			
▶ X ⊘	⬆ X ⊘	◻ 0.XX	Read-write (RW) parameter
◀ X ⊘	⬆ X ⊘	◇ 0.XX	Read-only (RO) parameter
	⬆ X ⊘		Input terminals
	⬆ X ⊘		Output terminals

The parameters are all shown at their default settings

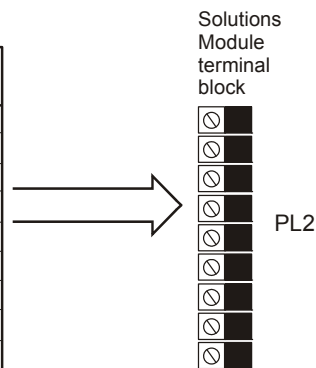
Figure 13-28 SM-Encoder Output Plus logic diagram





The parameters are all shown at their default settings

Ab	Fd	Fr	Ab.L	Fd.L	PL2 term
		0V			1
		0V			2
A	F	F	A	F	3
A\	F\	F\	A\	F\	4
B	D	R\	B	D	5
B\	D\	R\	B\	D\	6
		0V			7
		Z			8
		Z\			9



SM-Encoder Plus / SM-Encoder Output Plus parameters

Parameter		Range(⇅)	Default(⇒)	Type					
x.01	Solutions Module ID	0 to 599	104	RO	Uni			PT	US
x.03	Speed feedback	±40,000.0 rpm		RO	Bi	FI	NC	PT	
x.04	Revolution counter	0 to 65,535 revolutions		RO	Uni	FI	NC	PT	
x.05	Position	0 to 65,535 (1/2 ¹⁶ ths of a revolution)		RO	Uni	FI	NC	PT	
x.07	Marker position reset disable	OFF (0) or On (1)	OFF (0)	RW	Bit				US
x.08	Marker flag	OFF (0) or On (1)	OFF (0)	RW	Bit		NC		
x.10	Equivalent lines per revolution	0 to 50,000	4,096	RW	Uni				US
x.13*	Encoder supply voltage	0: 5V, 1: 8V, 2: 15V	0	RW	Uni				US
x.15	Encoder type	Ab (0), Fd (1), Fr (2)	Ab (0)	RW	Uni				US
x.16	Encoder termination	0 to 2	1	RW	Bit				US
x.19	Feedback filter	0 to 5 (0 to 16 ms)	0	RW	Uni				US
x.24*	Encoder simulation source	Pr 0.00 to Pr 21.51	0.00	RW	Uni			PT	US
x.25*	Encoder simulation ratio numerator	0.0000 to 3.0000	0.2500	RW	Uni				US
x.28*	Encoder simulation mode	0: Ab, 1: Fd, 2: Fr, 3: Ab with marker lock, 4 to 7: Fd with marker lock	0	RW	Uni				US
x.29	Non-marker reset revolution counter	0 to 65,535 revolutions		RO	Uni		NC	PT	
x.30	Non-marker reset position	0 to 65,535 (1/2 ¹⁶ ths of a revolution)		RO	Uni		NC	PT	
x.32	Marker revolution counter	0 to 65,535 revolutions		RO	Uni		NC	PT	
x.33	Marker position	0 to 65,535 (1/2 ¹⁶ ths of a revolution)		RO	Uni		NC	PT	
x.35	Freeze revolution counter	0 to 65,535 revolutions		RO	Uni		NC	PT	
x.36	Freeze position	0 to 65,535 (1/2 ¹⁶ ths of a revolution)		RO	Uni		NC	PT	
x.39	Freeze flag	OFF (0) or On (1)	OFF (0)	RW	Bit		NC		
x.45	Position feedback initialised	OFF (0) or On (1)		RO	Bit		NC	PT	
x.49	Lock position feedback	OFF (0) or On (1)		RW	Bit				
x.50	Solutions Module error status**	0 to 255		RO	Uni		NC	PT	

RW	Read / Write	RO	Read only	Uni	Unipolar	Bi	Bi-polar	Bit	Bit parameter	Txt	Text string		
FI	Filtered	DE	Destination	NC	Not copied	RA	Rating dependent	PT	Protected	US	User save	PS	Power down save

*Pr x.13, Pr x.24, Pr x.25 and Pr x.28 are only used when operating with a SM-Encoder Output Plus module. These parameters are not used when operating with a SM-Encoder Plus module

**See trip SLX.Er, *Feedback module category* on page 284.

13.15.3 Automation module category

Figure 13-29 SM-I/O Plus analog logic diagram

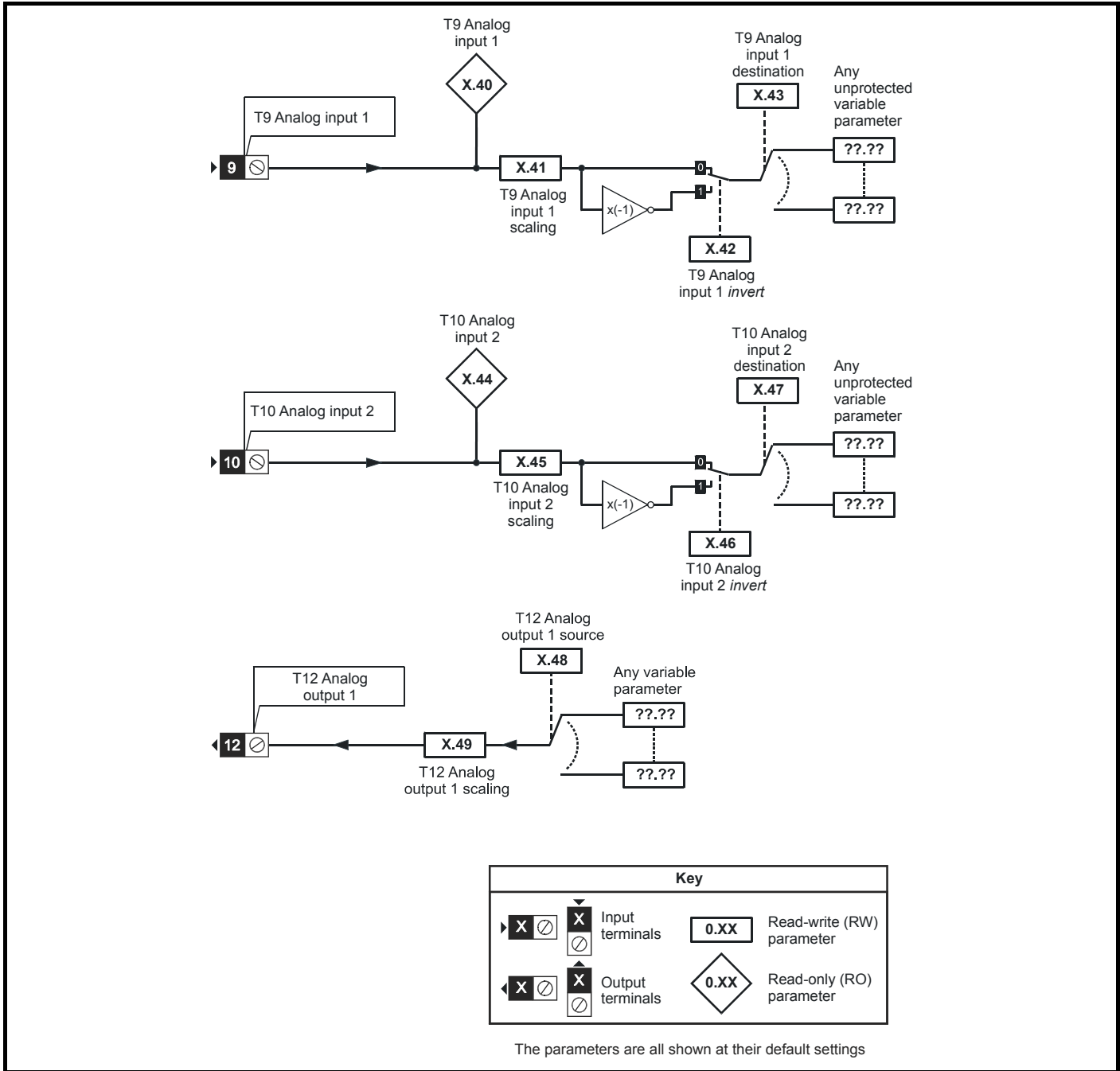


Figure 13-30 SM-I/O Plus digital logic diagram 1

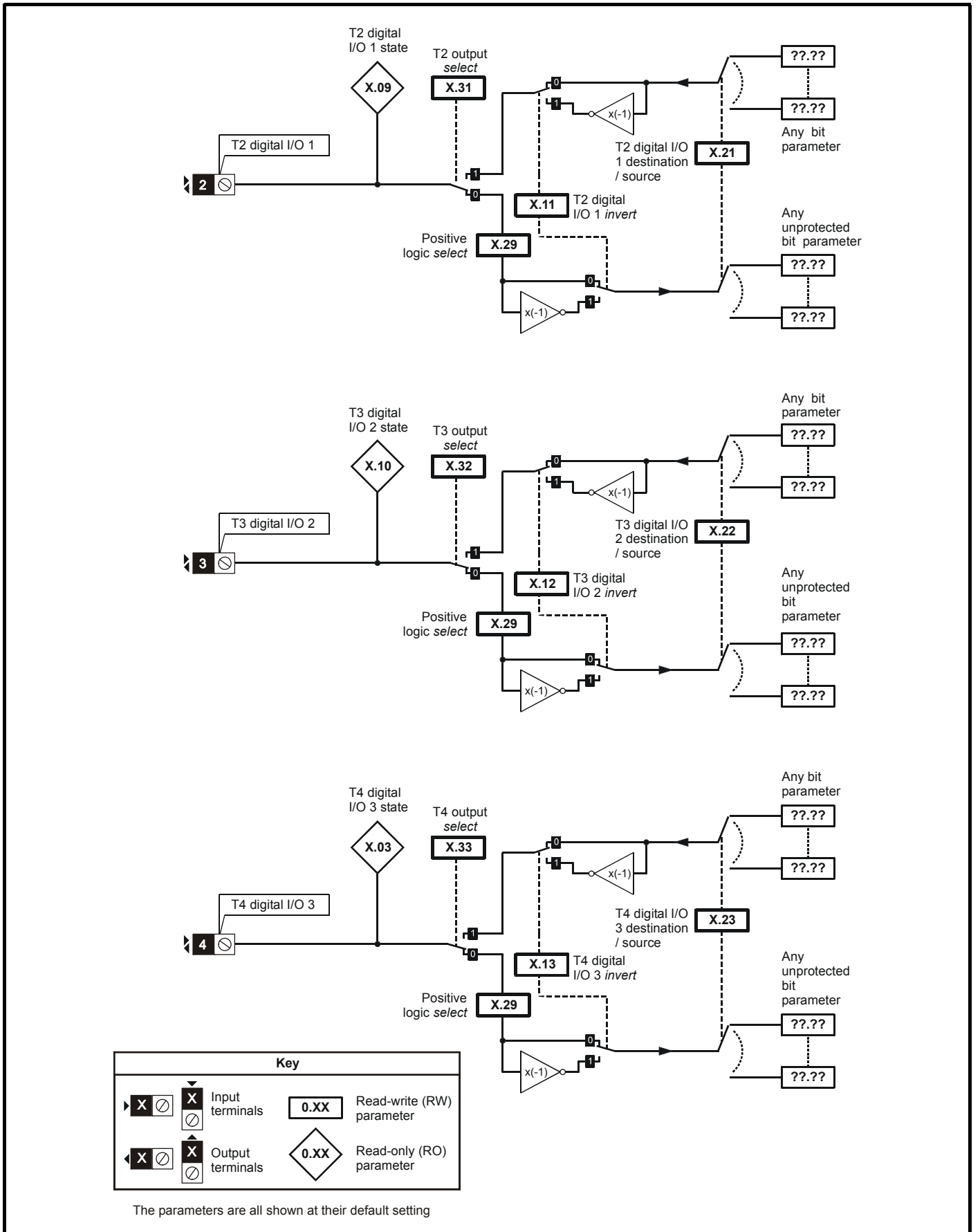
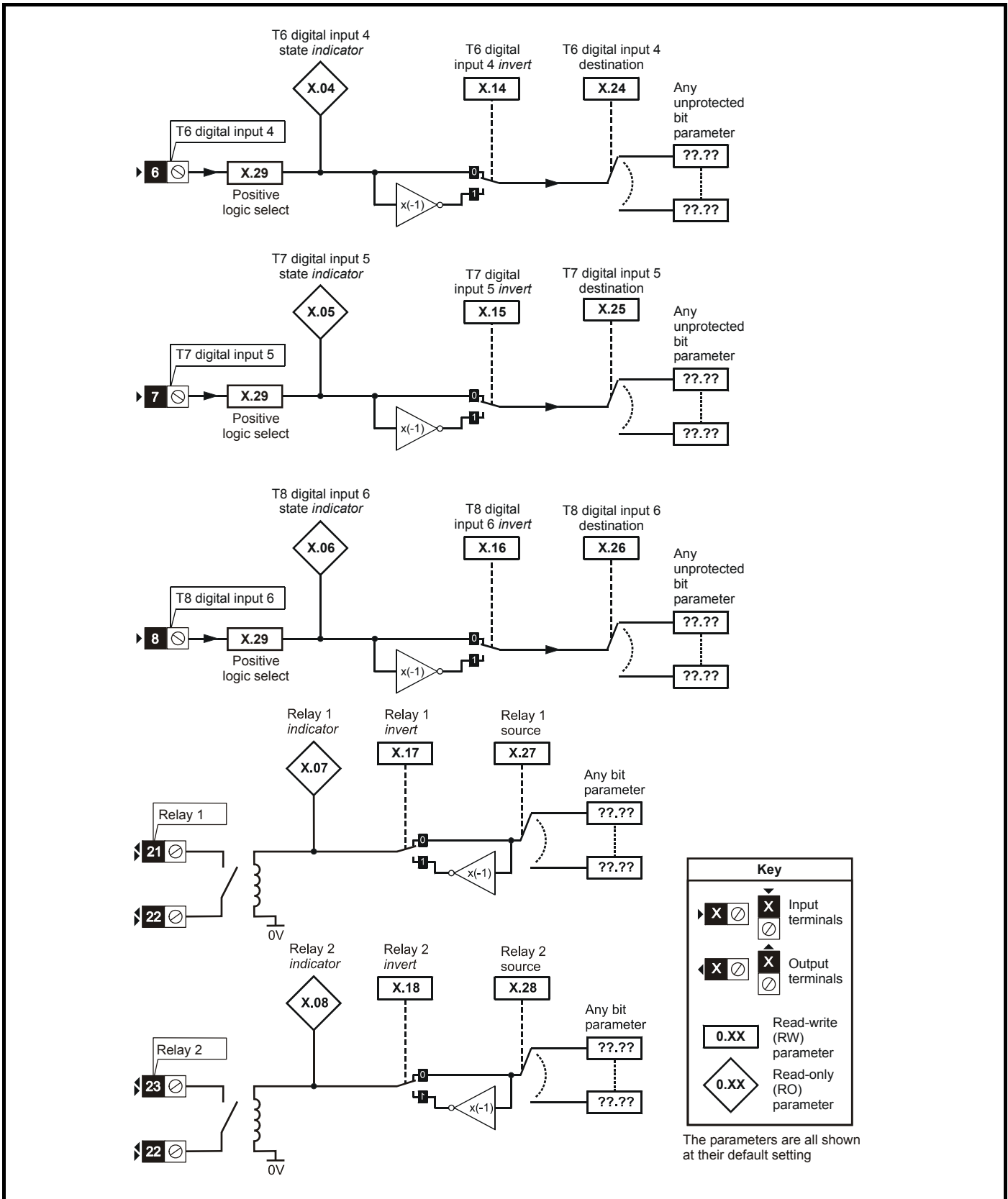


Figure 13-31 SM-I/O Plus digital logic diagram 2



SM-I/O Plus parameters

Parameter	Range(⇅)	Default(⇒)	Type					
x.01	Solutions Module ID	0 to 599	201	RO	Uni		PT	US
x.03	T4 digital I/O 3 state	OFF (0) or On (1)		RO	Bit	NC	PT	
x.04	T6 digital input 4 state	OFF (0) or On (1)		RO	Bit	NC	PT	
x.05	T7 digital input 5 state	OFF (0) or On (1)		RO	Bit	NC	PT	
x.06	T8 digital input 6 state	OFF (0) or On (1)		RO	Bit	NC	PT	
x.07	Relay 1 state	OFF (0) or On (1)		RO	Bit	NC	PT	
x.08	Relay 2 state	OFF (0) or On (1)		RO	Bit	NC	PT	
x.09	T2 digital I/O 1 state	OFF (0) or On (1)		RO	Bit	NC	PT	
x.10	T3 digital I/O 2 state	OFF (0) or On (1)		RO	Bit	NC	PT	
x.11	T2 digital I/O 1 invert	OFF (0) or On (1)	OFF (0)	RW	Bit			US
x.12	T3 digital I/O 2 invert	OFF (0) or On (1)	OFF (0)	RW	Bit			US
x.13	T4 digital I/O 3 invert	OFF (0) or On (1)	OFF (0)	RW	Bit			US
x.14	T6 digital input 4 invert	OFF (0) or On (1)	OFF (0)	RW	Bit			US
x.15	T7 digital input 5 invert	OFF (0) or On (1)	OFF (0)	RW	Bit			US
x.16	T8 digital input 6 invert	OFF (0) or On (1)	OFF (0)	RW	Bit			US
x.17	Relay 1 invert	OFF (0) or On (1)	OFF (0)	RW	Bit			US
x.18	Relay 2 invert	OFF (0) or On (1)	OFF (0)	RW	Bit			US
x.20	Digital I/O read word	0 to 511		RO	Uni	NC	PT	
x.21	T2 digital I/O 1 source/ destination	Pr 0.00 to Pr 21.51	Pr 0.00	RW	Uni	DE	PT	US
x.22	T3 digital I/O 2 source/ destination	Pr 0.00 to Pr 21.51	Pr 0.00	RW	Uni	DE	PT	US
x.23	T4 digital I/O 3 source/ destination	Pr 0.00 to Pr 21.51	Pr 0.00	RW	Uni	DE	PT	US
x.24	T6 digital input 4 destination	Pr 0.00 to Pr 21.51	Pr 0.00	RW	Uni	DE	PT	US
x.25	T7 digital input 5 destination	Pr 0.00 to Pr 21.51	Pr 0.00	RW	Uni	DE	PT	US
x.26	T8 digital input 6 destination	Pr 0.00 to Pr 21.51	Pr 0.00	RW	Uni	DE	PT	US
x.27	Relay 1 source	Pr 0.00 to Pr 21.51	Pr 0.00	RW	Uni		PT	US
x.28	Relay 2 source	Pr 0.00 to Pr 21.51	Pr 0.00	RW	Uni		PT	US
x.29	Input polarity select	OFF (0) or On (1)	On (1) (positive logic)	RW	Bit		PT	US
x.31	T2 digital I/O 1 output select	OFF (0) or On (1)	OFF (0)	RW	Bit			US
x.32	T3 digital I/O 2 output select	OFF (0) or On (1)	OFF (0)	RW	Bit			US
x.33	T4 digital I/O 3 output select	OFF (0) or On (1)	OFF (0)	RW	Bit			US
x.40	Analog input 1	±100.0%		RO	Bi	NC	PT	
x.41	Analog input 1 scaling	0 to 4.000	1.000	RW	Uni			US
x.42	Analog input 1 invert	OFF (0) or On (1)	OFF (0)	RW	Bit			US
x.43	Analog input 1 destination	Pr 0.00 to Pr 21.51	Pr 0.00	RW	Uni	DE	PT	US
x.44	Analog input 2	±100.0%		RO	Bi	NC	PT	
x.45	Analog input 2 scaling	0.000 to 4.000	1.000	RW	Uni			US
x.46	Analog input 2 invert	OFF (0) or On (1)	OFF (0)	RW	Bit			US
x.47	Analog input 2 destination	Pr 0.00 to Pr 21.51	Pr 0.00	RW	Uni	DE	PT	US
x.48	Analog output 1 source	Pr 0.00 to Pr 21.51	Pr 0.00	RW	Uni		PT	US
x.49	Analog output 1 scaling	0.000 to 4.000	1.000	RW	Uni			US
x.50	Solutions Module error status*	0 to 255		RO	Uni	NC	PT	

RW	Read / Write	RO	Read only	Uni	Unipolar	Bi	Bi-polar	Bit	Bit parameter	Txt	Text string		
FI	Filtered	DE	Destination	NC	Not copied	RA	Rating dependent	PT	Protected	US	User save	PS	Power down save

*See trip SLX.Er, *Automation (I/O Expansion) module category* on page 286.

Figure 13-32 SM-I/O Lite & SM-I/O Timer digital I/O logic diagram

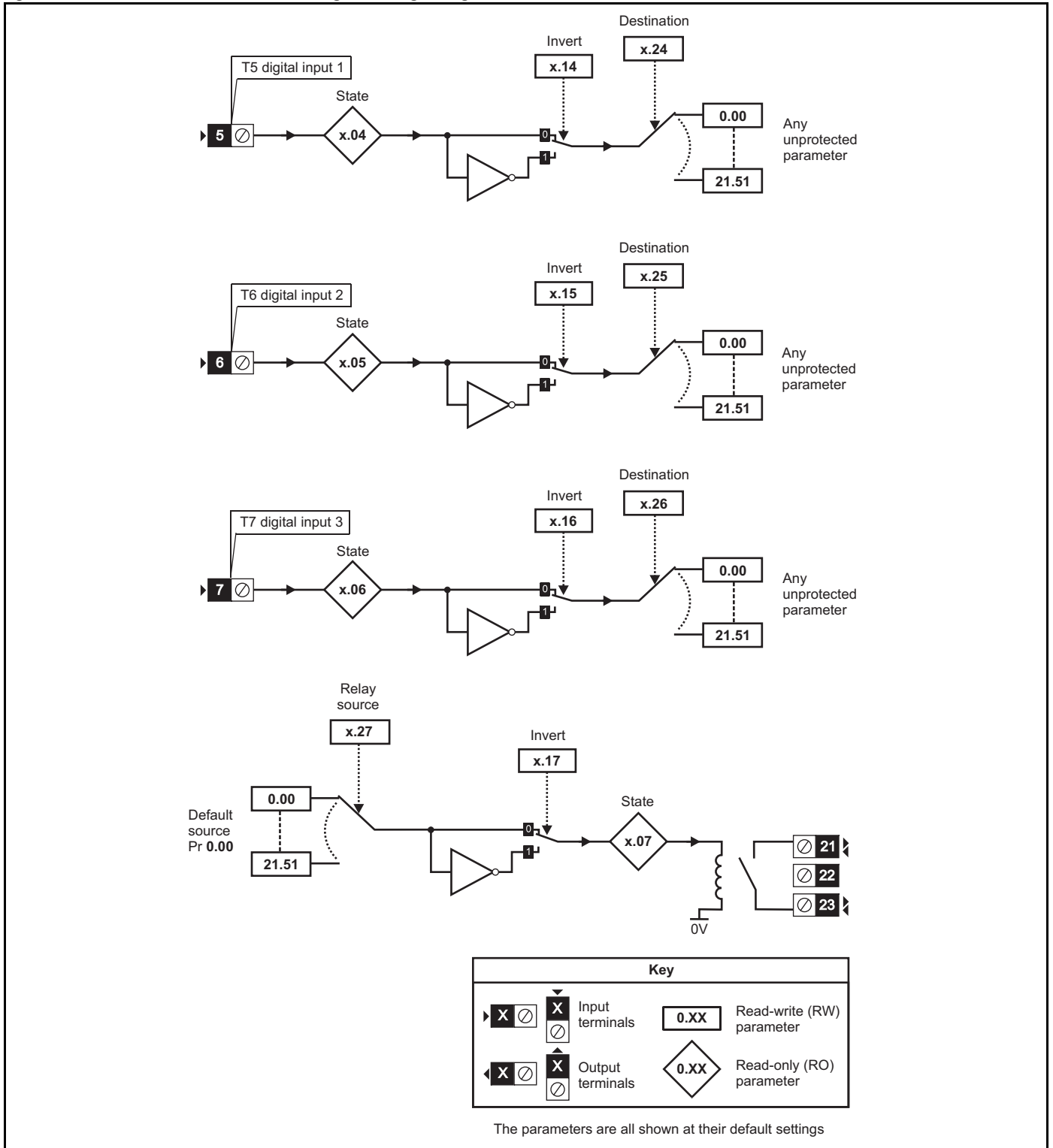


Figure 13-33 SM-I/O Lite & SM-I/O Timer analog I/O logic diagram

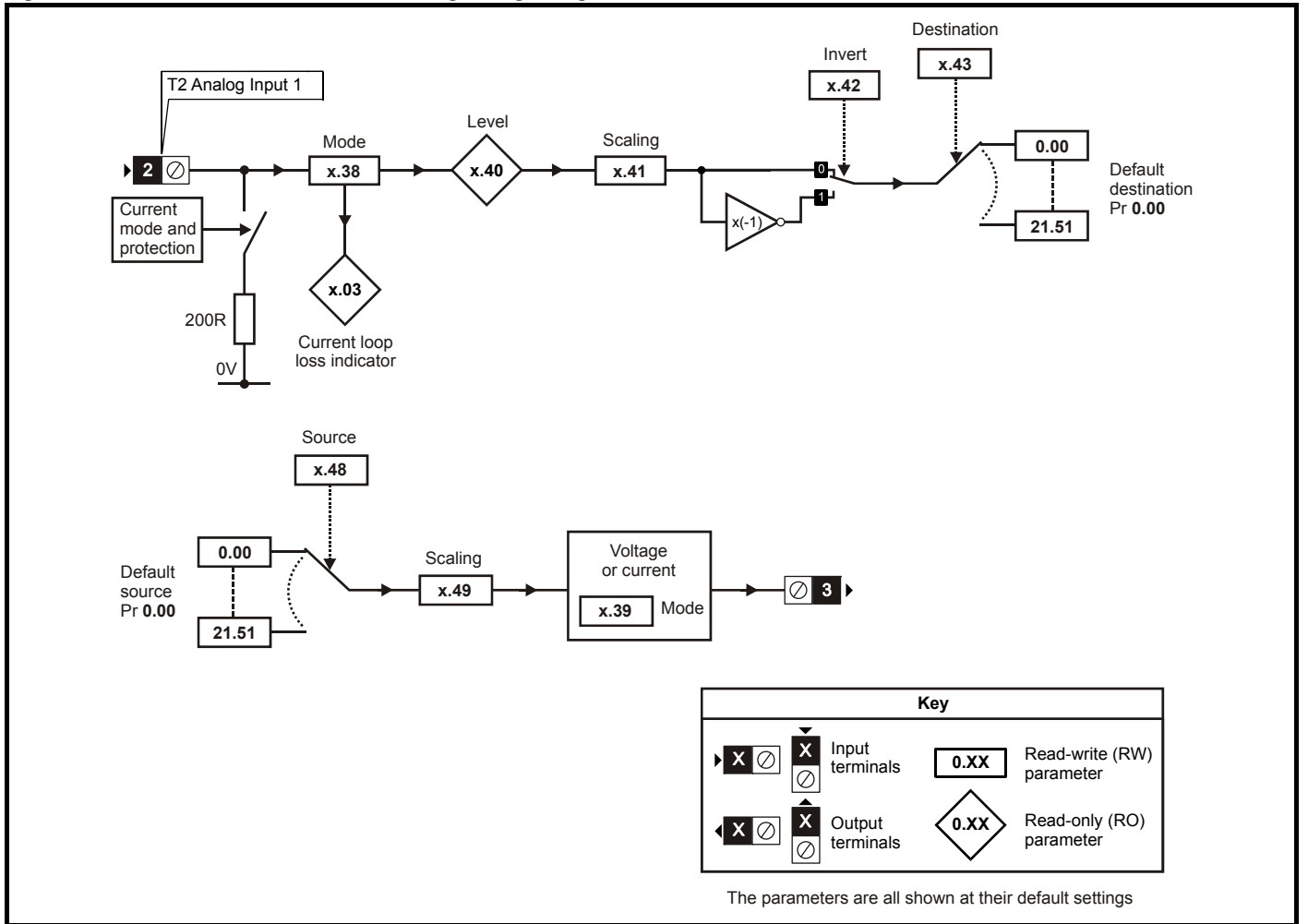
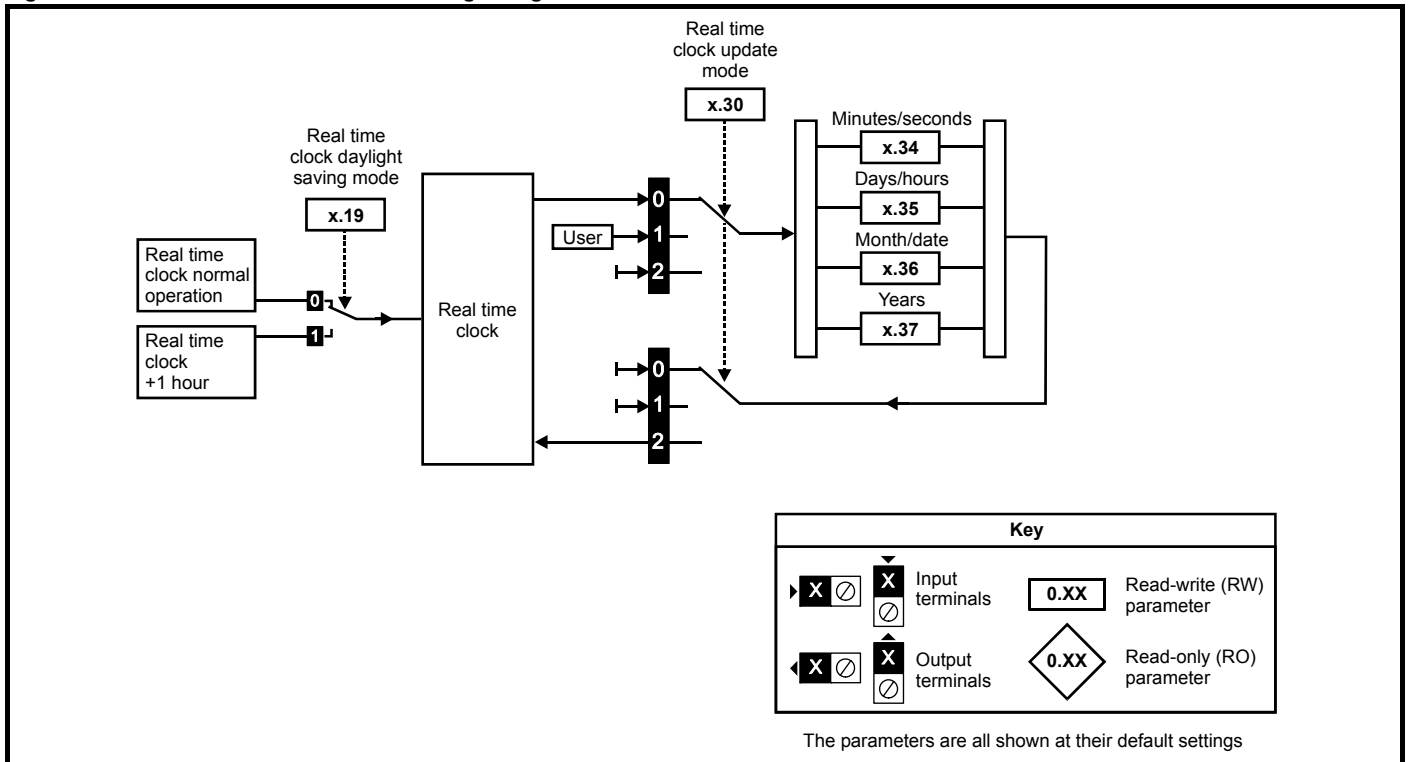


Figure 13-34 SM-I/O Timer real time clock logic diagram



SM-I/O Timer & SM-I/O Lite parameters

Parameter	Range(⇅)	Default(⇒)	Type						SM-I/O	
			RO	Uni	DE	NC	PT	US	Lite	Timer
x.01	Solutions Module ID	0 to 599	SM-I/O Timer: 203 SM-I/O Lite: 207						✓	✓
x.02	Solutions Module software version	0.00 to 99.99	RO	Uni		NC	PT	US	✓	✓
x.03	Current loop loss indicator	OFF (0) or On (1)	RO	Bit		NC	PT		✓	✓
x.04	T5 digital input 4 state	OFF (0) or On (1)	RO	Bit		NC	PT		✓	✓
x.05	T6 digital input 5 state	OFF (0) or On (1)	RO	Bit		NC	PT		✓	✓
x.06	T7 digital input 6 state	OFF (0) or On (1)	RO	Bit		NC	PT		✓	✓
x.07	Relay 1 state	OFF (0) or On (1)	RO	Bit		NC	PT		✓	✓
x.14	T5 digital input 4 invert	OFF (0) or On (1)	RW	Bit				US	✓	✓
x.15	T6 digital input 5 invert	OFF (0) or On (1)	RW	Bit				US	✓	✓
x.16	T7 digital input 6 invert	OFF (0) or On (1)	RW	Bit				US	✓	✓
x.17	Relay 1 invert	OFF (0) or On (1)	RW	Bit				US	✓	✓
x.19	Real time clock daylight saving mode	OFF (0) or On (1)	RW	Bit				US		✓
x.20	Digital I/O read word	0 to 255	RO	Uni		NC	PT		✓	✓
x.24	T5 digital input 4 destination	Pr 0.00 to Pr 21.51	RW	Uni	DE		PT	US	✓	✓
x.25	T6 digital input 5 destination	Pr 0.00 to Pr 21.51	RW	Uni	DE		PT	US	✓	✓
x.26	T7 digital input 6 destination	Pr 0.00 to Pr 21.51	RW	Uni	DE		PT	US	✓	✓
x.27	Relay 1 source	Pr 0.00 to Pr 21.51	RW	Uni			PT	US	✓	✓
x.30	Real time clock update mode	0 to 2	RW	Uni		NC				✓
x.34	Real time clock time: minutes.seconds	0.00 to 59.59	RW	Uni		NC	PT			✓
x.35	Real time clock time: days.hours	1.00 to 7.23	RW	Uni		NC	PT			✓
x.36	Real time clock time: months.days	0.00 to 12.31	RW	Uni		NC	PT			✓
x.37	Real time clock time: years	2000 to 2099	RW	Uni		NC	PT			✓
x.38	Analog input 1 mode	0-20 (0), 20-0 (1), 4-20.tr (2), 20-4.tr (3), 4-20 (4), 20-4 (5), VOLT(6)	RW	Txt				US	✓	✓
x.39	Analog output mode	0-20 (0), 20-0 (1), 4-20 (2), 20-4 (3), VOLT (4)	RW	Txt				US	✓	✓
x.40	Analog input 1	±100.0%	RO	Bi		NC	PT		✓	✓
x.41	Analog input 1 scaling	0 to 4.000	RW	Uni				US	✓	✓
x.42	Analog input 1 invert	OFF (0) or On (1)	RW	Bit				US	✓	✓
x.43	Analog input 1 destination	Pr 0.00 to Pr 21.51	RW	Uni	DE		PT	US	✓	✓
x.48	Analog output 1 source	Pr 0.00 to Pr 21.51	RW	Uni			PT	US	✓	✓
x.49	Analog output 1 scaling	0.000 to 4.000	RW	Uni				US	✓	✓
x.50	Solutions Module error status*	0 to 255	RO	Uni		NC	PT		✓	✓
x.51	Solutions Module software sub-version	0 to 99	RO	Uni		NC	PT		✓	✓

RW	Read / Write	RO	Read only	Uni	Unipolar	Bi	Bi-polar	Bit	Bit parameter	Txt	Text string		
FI	Filtered	DE	Destination	NC	Not copied	RA	Rating dependent	PT	Protected	US	User save	PS	Power down save

*See trip SLX.Er, Automation (I/O Expansion) module category on page 286.

Figure 13-35 SM-I/O PELV digital I/O logic diagram

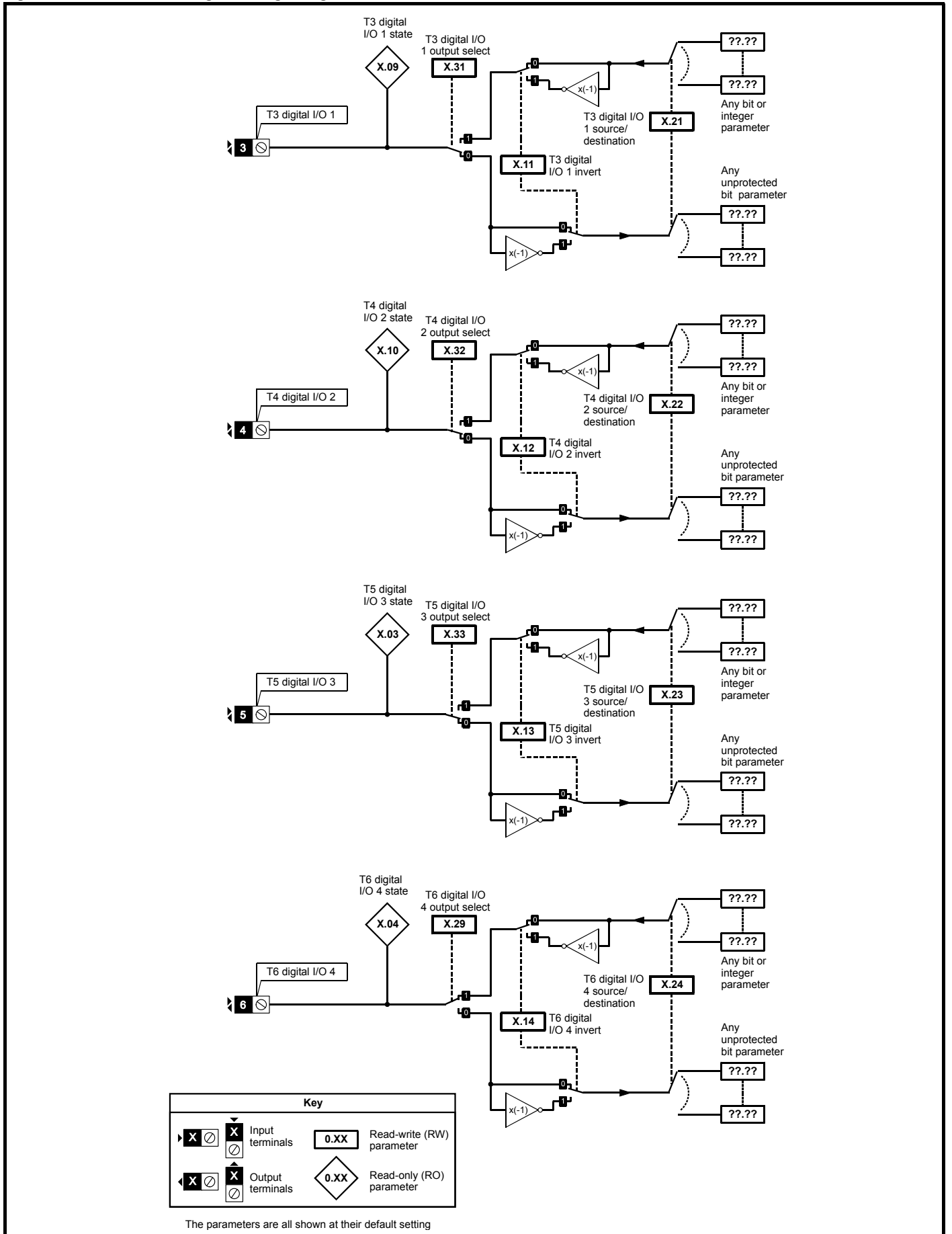


Figure 13-36 SM-I/O PELV digital input logic diagram

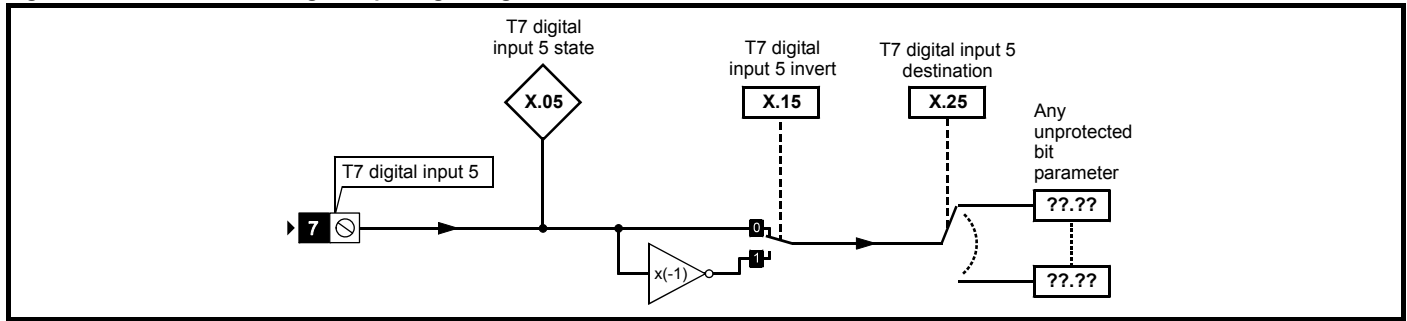


Figure 13-37 SM-I/O PELV relay logic diagram

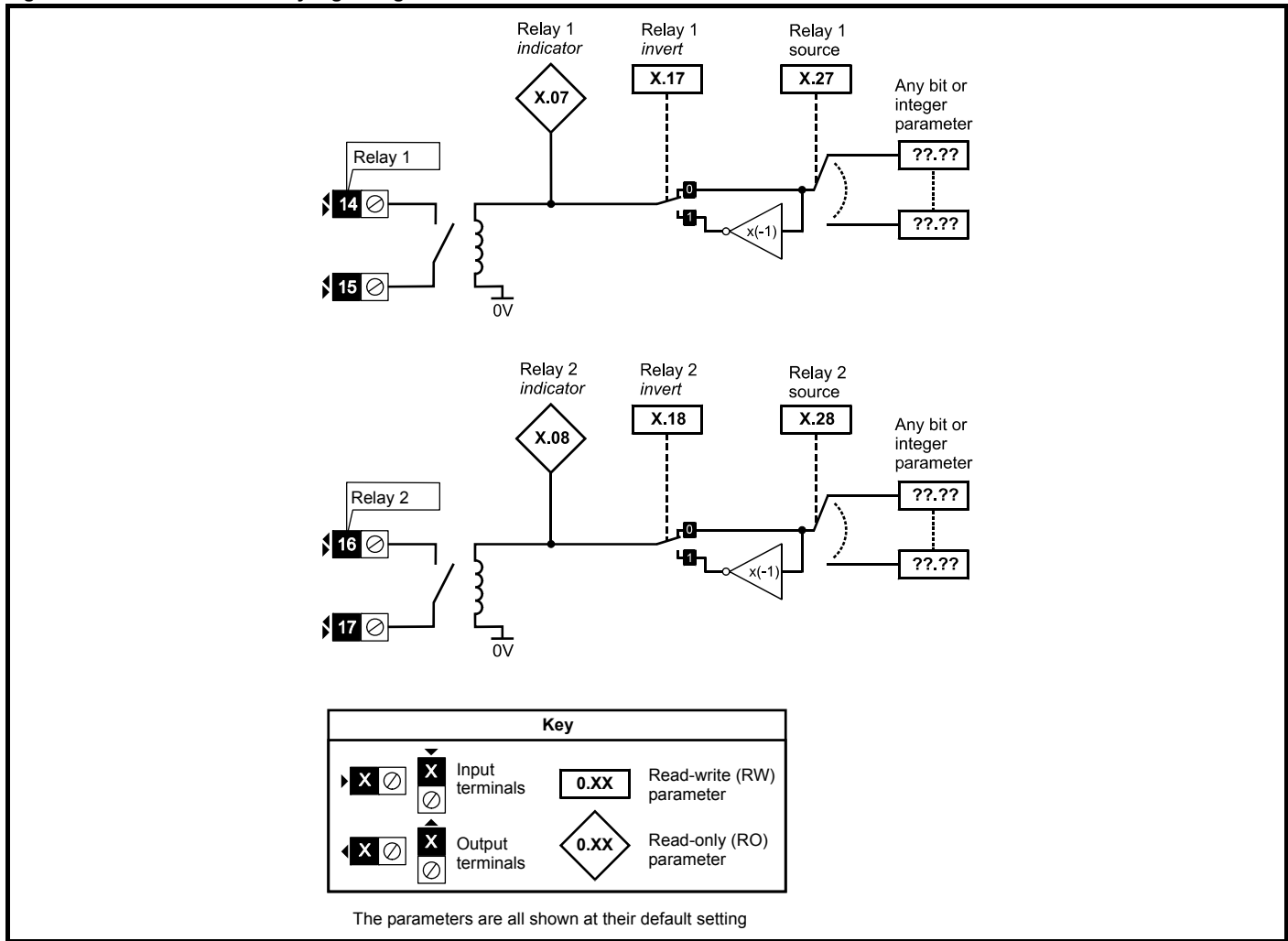


Figure 13-38 SM-I/O PELV analog input logic diagram

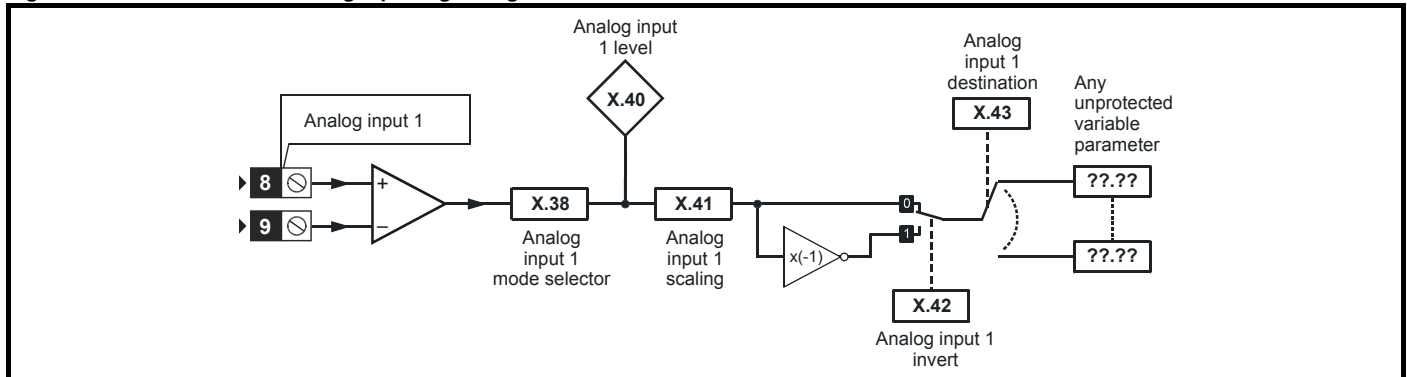
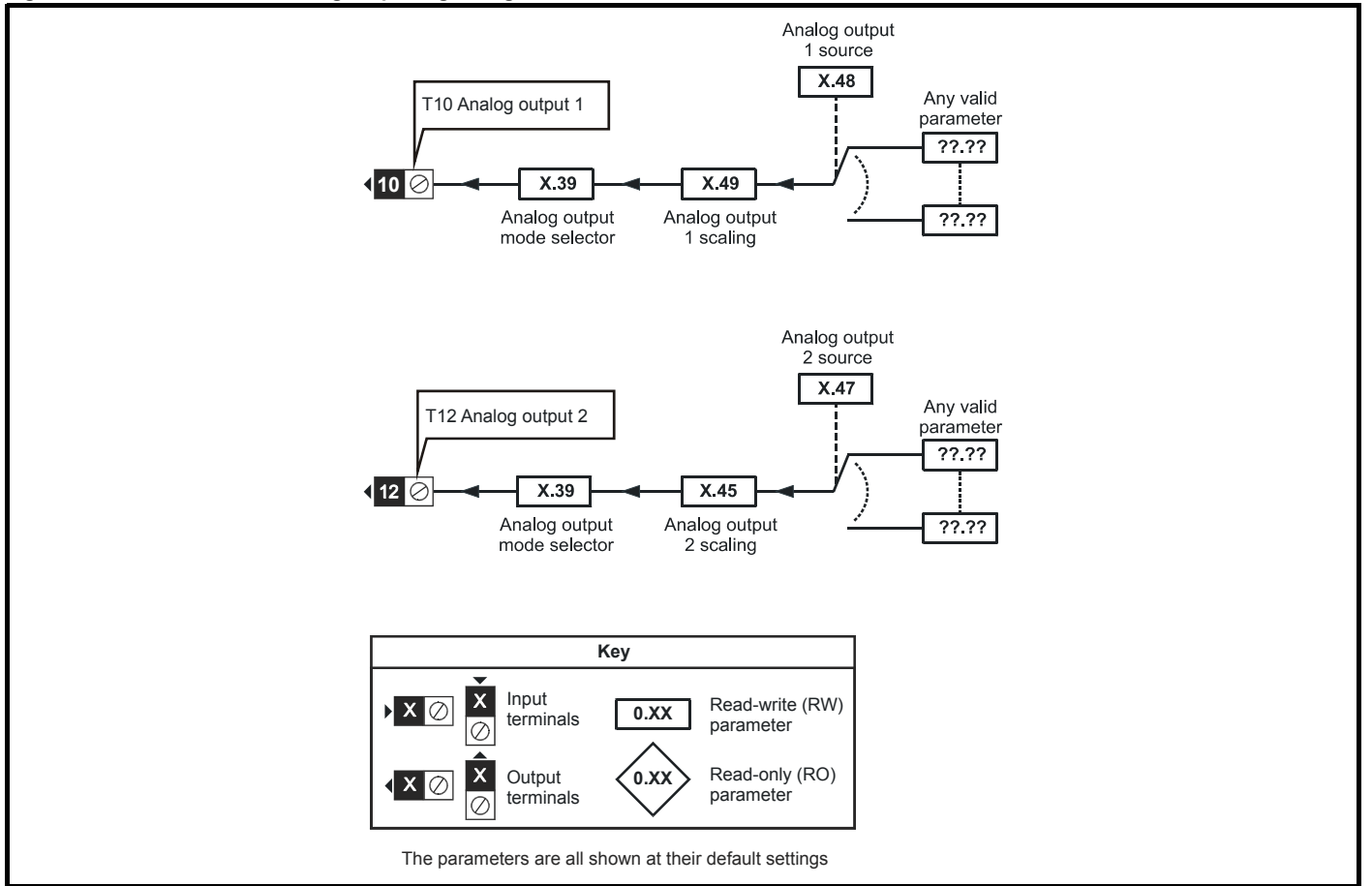


Figure 13-39 SM-I/O PELV analog output logic diagram



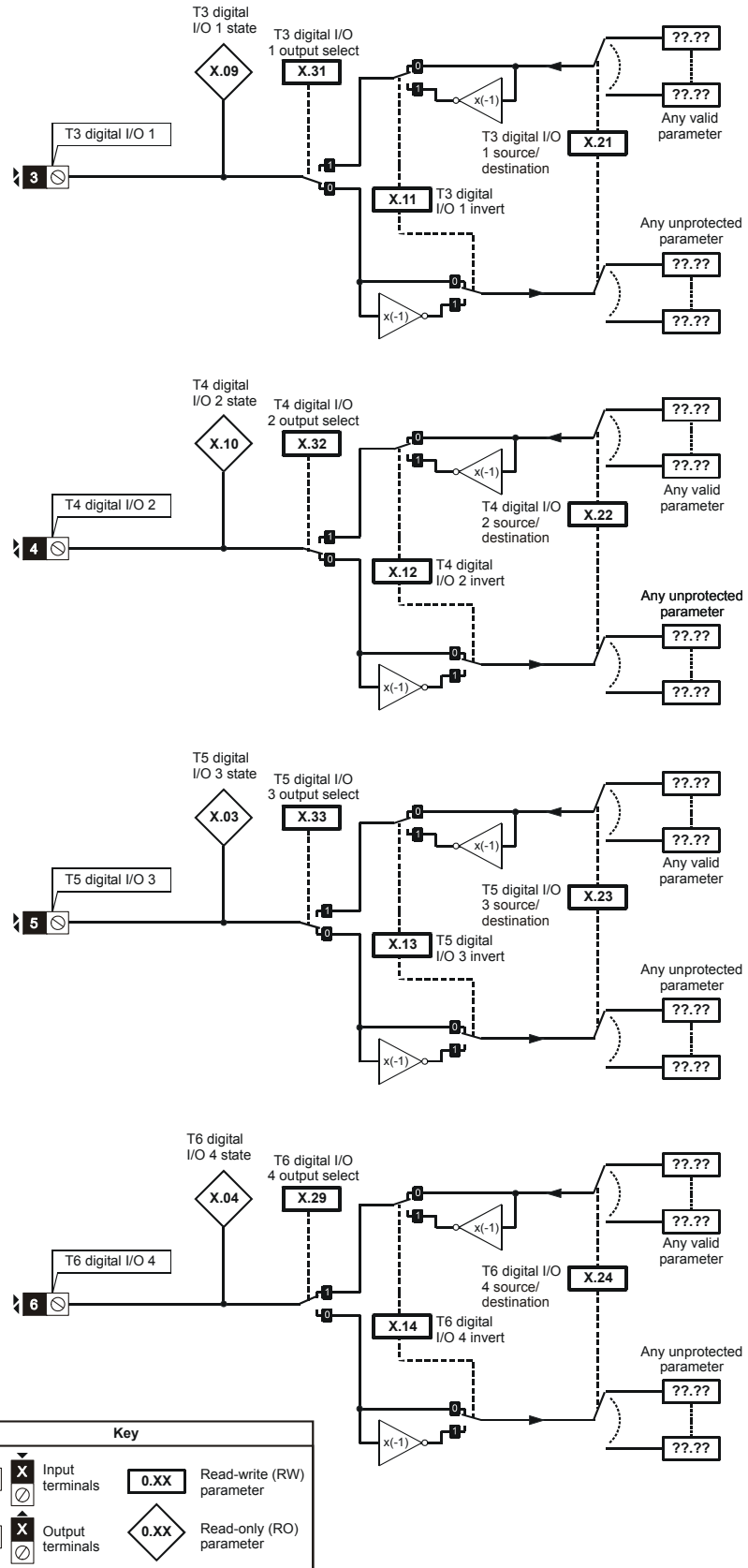
SM-I/O PELV parameters

Parameter		Range(⇅)	Default(⇔)	Type					
x.01	Solutions Module ID	0 to 599	204	RO	Uni			PT	US
x.02	Solutions Module software version	0.00 to 99.99		RO	Uni		NC	PT	
x.03	T5 digital I/O 3 state	OFF (0) or On (1)		RO	Bit		NC	PT	
x.04	T6 digital I/O 4 state	OFF (0) or On (1)		RO	Bit		NC	PT	
x.05	T7 digital input 5 state	OFF (0) or On (1)		RO	Bit		NC	PT	
x.07	Relay 1 state	OFF (0) or On (1)		RO	Bit		NC	PT	
x.08	Relay 2 state	OFF (0) or On (1)		RO	Bit		NC	PT	
x.09	T3 digital I/O 1 state	OFF (0) or On (1)		RO	Bit		NC	PT	
x.10	T4 digital I/O 2 state	OFF (0) or On (1)		RO	Bit		NC	PT	
x.11	T3 digital I/O 1 invert	OFF (0) or On (1)	OFF (0)	RW	Bit				US
x.12	T4 digital I/O 2 invert	OFF (0) or On (1)	OFF (0)	RW	Bit				US
x.13	T5 digital I/O 3 invert	OFF (0) or On (1)	OFF (0)	RW	Bit				US
x.14	T6 digital I/O 4 invert	OFF (0) or On (1)	OFF (0)	RW	Bit				US
x.15	T7 digital input 5 invert	OFF (0) or On (1)	OFF (0)	RW	Bit				US
x.16	Disable PELV User power supply absent trip	OFF (0) or On (1)	OFF (0)	RW	Bit				US
x.17	Relay 1 invert	OFF (0) or On (1)	OFF (0)	RW	Bit				US
x.18	Relay 2 invert	OFF (0) or On (1)	OFF (0)	RW	Bit				US
x.19	Freeze flag	OFF (0) or On (1)	OFF (0)	RW	Bit				US
x.20	Digital I/O read word	0 to 255		RO	Uni		NC	PT	
x.21	T3 digital I/O 1 source/destination	Pr 0.00 to Pr 21.51	Pr 0.00	RW	Uni	DE		PT	US
x.22	T4 digital I/O 2 source/destination	Pr 0.00 to Pr 21.51	Pr 0.00	RW	Uni	DE		PT	US
x.23	T5 digital I/O 3 source/destination	Pr 0.00 to Pr 21.51	Pr 0.00	RW	Uni	DE		PT	US
x.24	T6 digital I/O 4 source/destination	Pr 0.00 to Pr 21.51	Pr 0.00	RW	Uni	DE		PT	US
x.25	T7 digital input 5 destination	Pr 0.00 to Pr 21.51	Pr 0.00	RW	Uni	DE		PT	US
x.27	Relay 1 source	Pr 0.00 to Pr 21.51	Pr 0.00	RW	Uni			PT	US
x.28	Relay 2 source	Pr 0.00 to Pr 21.51	Pr 0.00	RW	Uni			PT	US
x.29	T6 digital I/O 4 output select	OFF (0) or On (1)	On (1)	RW	Bit				US
x.31	T3 digital I/O 1 output select	OFF (0) or On (1)	OFF (0)	RW	Bit				US
x.32	T4 digital I/O 2 output select	OFF (0) or On (1)	OFF (0)	RW	Bit				US
x.33	T5 digital I/O 3 output select	OFF (0) or On (1)	OFF (0)	RW	Bit				US
x.38	Analog input 1 mode	0-20 (0), 20-0 (1), 4-20.tr (2), 20-4.tr (3), 4-20 (4), 20-4 (5)	0-20 (0)	RW	Txt				US
x.39	Analog output mode	0-20 (0), 20-0 (1), 4-20 (2), 20-4 (3)	0-20 (0)	RW	Txt				US
x.40	Analog input 1 level	0.0 to 100.0%		RO	Bi		NC	PT	
x.41	Analog input 1 scaling	0.000 to 4.000	1.000	RW	Uni				US
x.42	Analog input 1 invert	OFF (0) or On (1)	OFF (0)	RW	Bit				US
x.43	Analog input 1 destination	Pr 0.00 to Pr 21.51	Pr 0.00	RW	Uni	DE		PT	US
x.45	Analog output 2 scaling	0.000 to 4.000	1.000	RW	Uni				US
x.47	Analog output 2 source	Pr 0.00 to Pr 21.51	Pr 0.00	RW	Uni			PT	US
x.48	Analog output 1 source	Pr 0.00 to Pr 21.51	Pr 0.00	RW	Uni			PT	US
x.49	Analog output 1 scaling	0.000 to 4.000	1.000	RW	Uni				US
x.50	Solutions Module error status*	0 to 255		RO	Uni		NC	PT	
x.51	Solutions Module software sub-version	0 to 99		RO	Uni		NC	PT	

RW	Read / Write	RO	Read only	Uni	Unipolar	Bi	Bi-polar	Bit	Bit parameter	Txt	Text string		
FI	Filtered	DE	Destination	NC	Not copied	RA	Rating dependent	PT	Protected	US	User save	PS	Power down save

*See trip SLX.Er, Automation (I/O Expansion) module category on page 286.

Figure 13-40 SM-I/O 24V Protected digital I/O logic diagram



The parameters are all shown at their default setting

Figure 13-41 SM-I/O 24V Protected digital I/O logic diagram

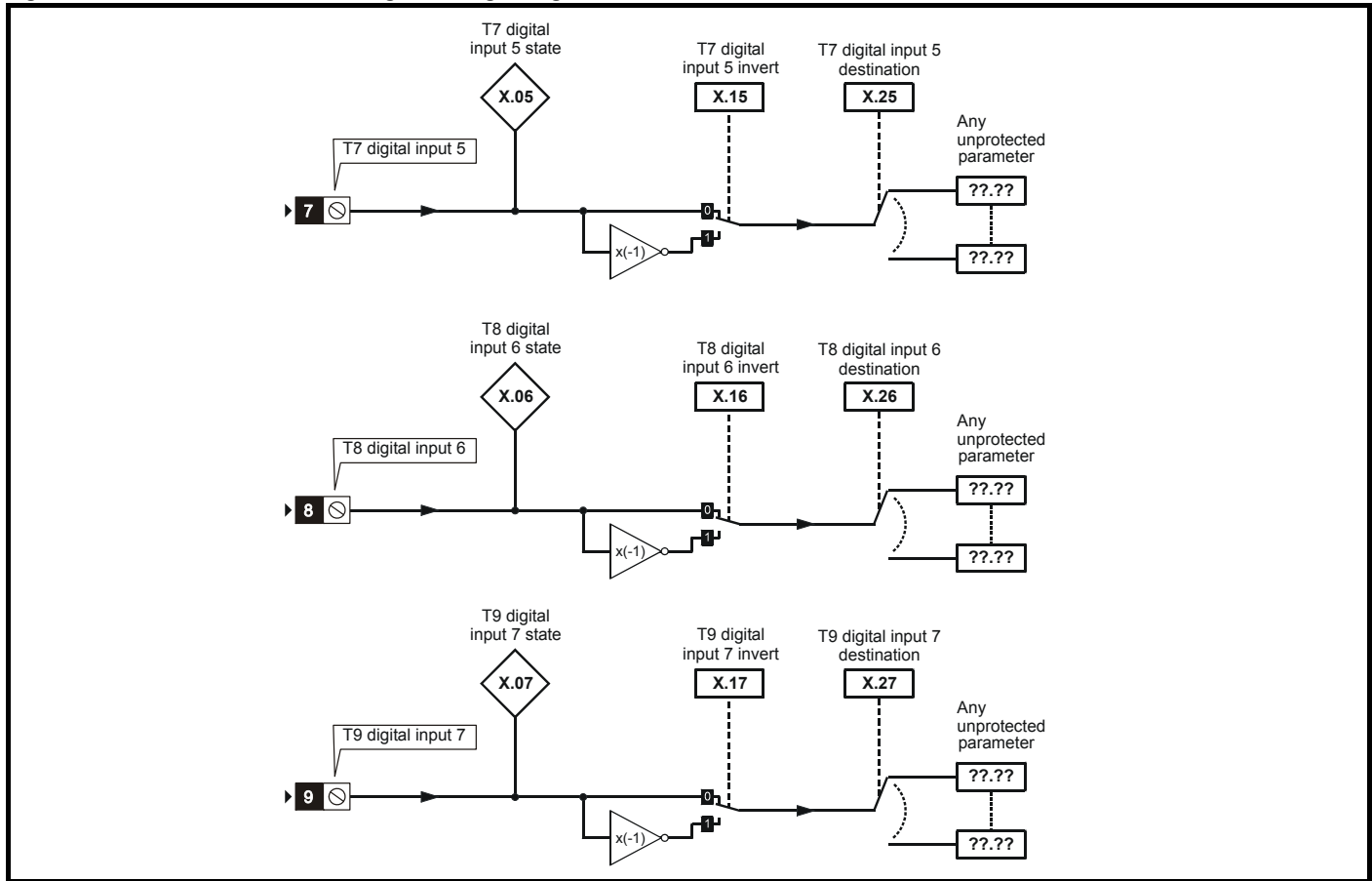


Figure 13-42 SM-I/O 24V Protected relay logic diagram

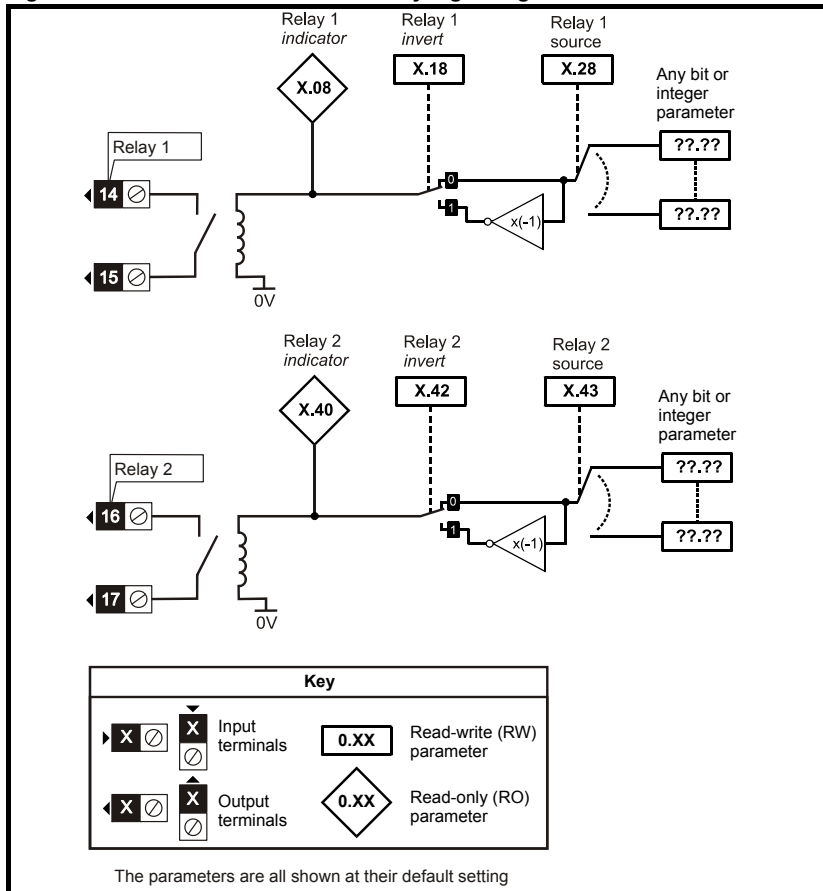
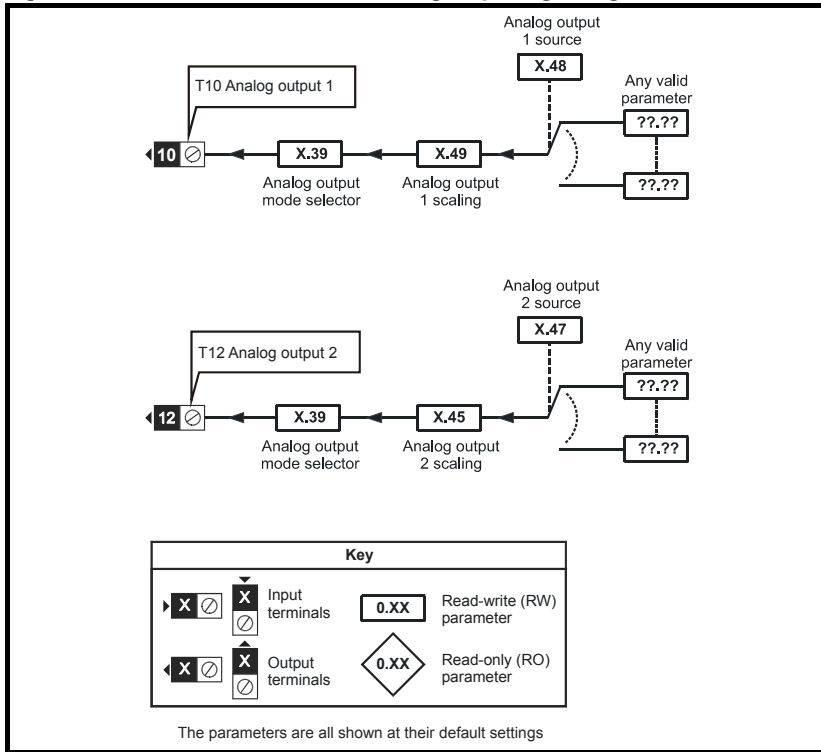


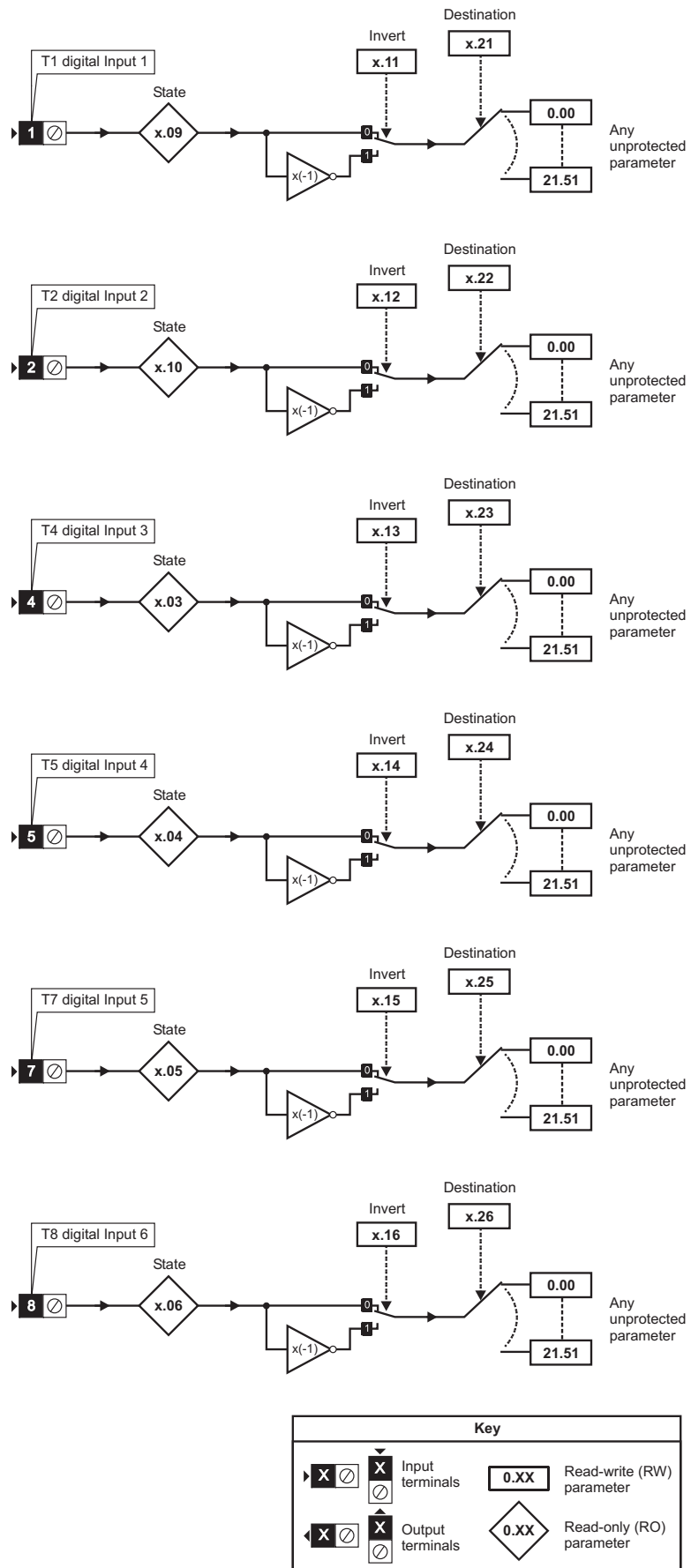
Figure 13-43 SM-I/O 24V Protected analog output logic diagram



SM-I/O 24V Protected parameters

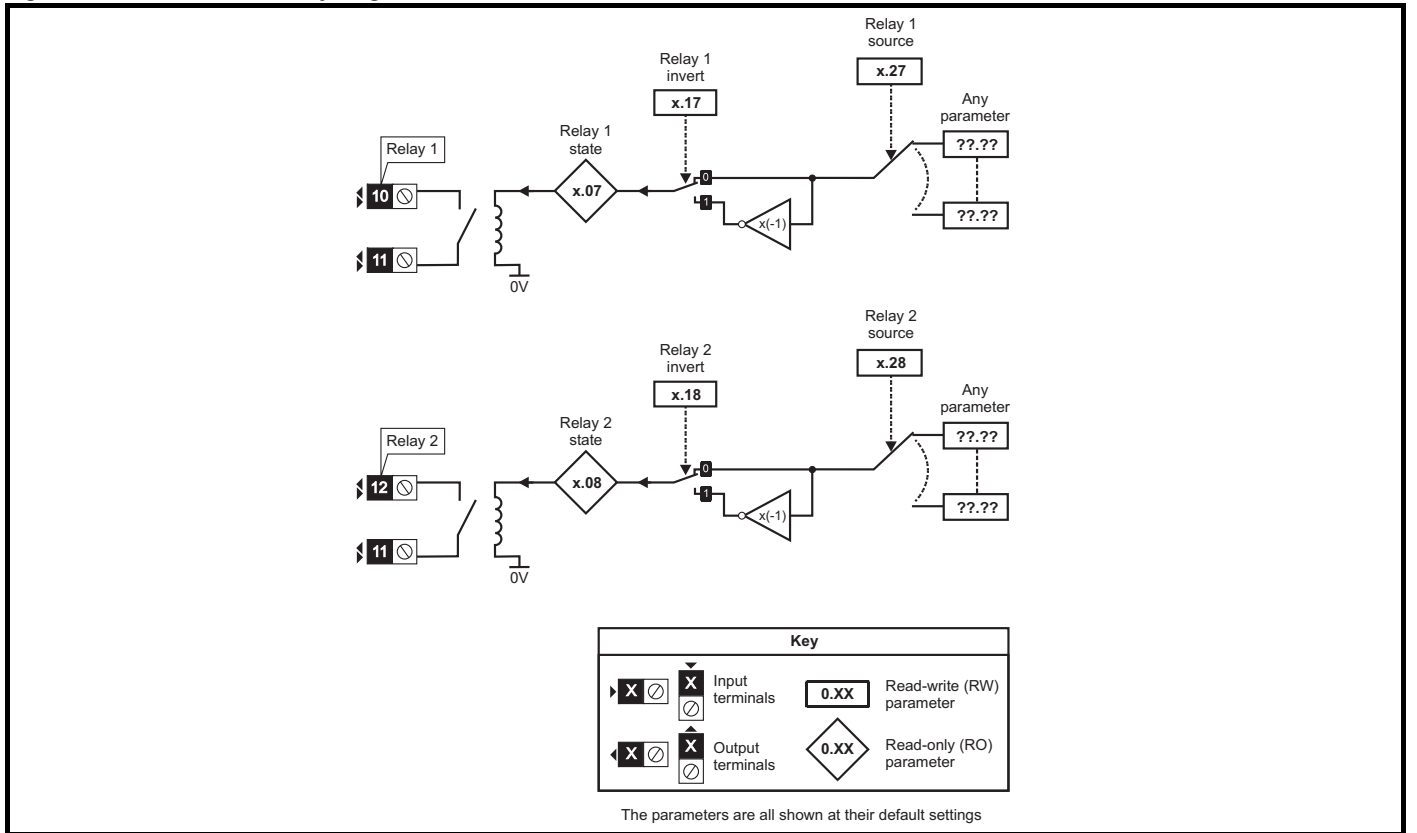
Parameter	Range(↕)	Default(⇨)	Type					
x.01	Solutions Module ID	0 to 599	205	RO	Uni		PT	US
x.02	Solutions Module Main Software Version	0.00 to 99.99		RO	Uni	NC	PT	
x.03	T5 digital I/O 3 state	OFF (0) or On (1)		RO	Bit	NC	PT	
x.04	T6 digital I/O 4 state	OFF (0) or On (1)		RO	Bit	NC	PT	
x.05	T7 digital input 5 state	OFF (0) or On (1)		RO	Bit	NC	PT	
x.06	T8 digital input 6 state	OFF (0) or On (1)		RO	Bit	NC	PT	
x.07	T9 digital input 7 state	OFF (0) or On (1)		RO	Bit	NC	PT	
x.08	Relay 1 state	OFF (0) or On (1)		RO	Bit	NC	PT	
x.09	T3 digital I/O 1 state	OFF (0) or On (1)		RO	Bit	NC	PT	
x.10	T4 digital I/O 2 state	OFF (0) or On (1)		RO	Bit	NC	PT	
x.11	T3 digital I/O 1 invert	OFF (0) or On (1)	OFF (0)	RW	Bit			US
x.12	T4 digital I/O 2 invert	OFF (0) or On (1)	OFF (0)	RW	Bit			US
x.13	T5 digital I/O 3 invert	OFF (0) or On (1)	OFF (0)	RW	Bit			US
x.14	T6 digital I/O 4 invert	OFF (0) or On (1)	OFF (0)	RW	Bit			US
x.15	T7 digital input 5 invert	OFF (0) or On (1)	OFF (0)	RW	Bit			US
x.16	T8 digital input 6 invert	OFF (0) or On (1)	OFF (0)	RW	Bit			US
x.17	T9 digital input 7 invert	OFF (0) or On (1)	OFF (0)	RW	Bit			US
x.18	Relay 1 invert	OFF (0) or On (1)	OFF (0)	RW	Bit			US
x.20	Digital I/O read word	0 to 255		RO	Uni	NC	PT	
x.21	T3 digital I/O 1 source/destination	Pr 0.00 to Pr 21.51	Pr 0.00	RW	Uni	DE		US
x.22	T4 digital I/O 2 source/destination	Pr 0.00 to Pr 21.51	Pr 0.00	RW	Uni	DE		US
x.23	T5 digital I/O 3 source/destination	Pr 0.00 to Pr 21.51	Pr 0.00	RW	Uni	DE		US
x.24	T6 digital I/O 4 source/destination	Pr 0.00 to Pr 21.51	Pr 0.00	RW	Uni	DE		US
x.25	T7 digital input 5 destination	Pr 0.00 to Pr 21.51	Pr 0.00	RW	Uni	DE		US
x.26	T8 digital input 6 destination	Pr 0.00 to Pr 21.51	Pr 0.00	RW	Uni	DE		US
x.27	T9 digital input 7 destination	Pr 0.00 to Pr 21.51	Pr 0.00	RW	Uni	DE		US
x.28	Relay 1 source	Pr 0.00 to Pr 21.51	Pr 0.00	RW	Uni			US
x.29	T6 digital I/O 4 output select	OFF (0) or On (1)	On (1)	RW	Bit			US
x.31	T3 digital I/O 1 output select	OFF (0) or On (1)	OFF (0)	RW	Bit			US
x.32	T4 digital I/O 2 output select	OFF (0) or On (1)	OFF (0)	RW	Bit			US
x.33	T5 digital I/O 3 output select	OFF (0) or On (1)	OFF (0)	RW	Bit			US
x.39	Analog output mode	0-20, 20-0, 4-20, 20-4	0-20	RW	Uni			US
x.40	Relay 2 state	0 or 100.0 %		RO	Bit	NC	PT	
x.42	Relay 2 invert	OFF (0) or On (1)	OFF (0)	RW	Bit			US
x.43	Relay 2 source	Pr 0.00 to Pr 21.51	Pr 0.00	RW	Uni			US
x.45	Analog output 2 scaling	0.000 to 4.000	1.000	RW	Uni			US
x.47	Analog output 2 source	Pr 0.00 to Pr 21.51	Pr 0.00	RW	Uni			US
x.48	Analog output 1 source	Pr 0.00 to Pr 21.51	Pr 0.00	RW	Uni			US
x.49	Analog output 1 scaling	0.000 to 4.000	1.000	RW	Uni			US
x.50	Solutions Module error status	0 to 255		RO	Uni	NC	PT	
x.51	Solutions Module software sub-version	0 to 99		RO	Uni	NC	PT	

Figure 13-44 SM-I/O 120V digital input logic diagram



The parameters are all shown at their default settings

Figure 13-45 SM-I/O 120V relay diagram



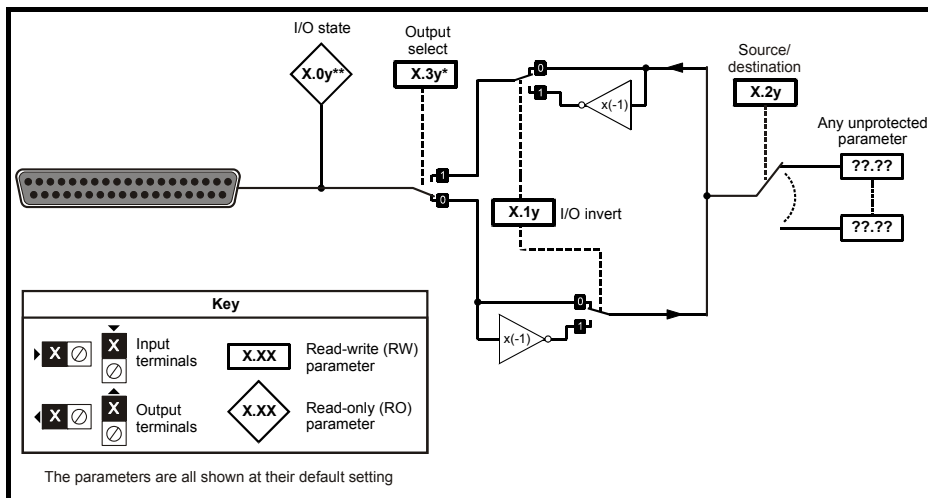
SM-I/O 120V parameters

Parameter		Range(⇅)	Default(⇒)	Type				
x.01	Solutions Module ID	0 to 599	206	RO	Uni		PT	US
x.02	Solutions Module software version	0.00 to 99.99		RO	Uni	NC	PT	
x.03	T4 digital input 3 state	OFF (0) or On (1)		RO	Bit	NC	PT	
x.04	T5 digital input 4 state	OFF (0) or On (1)		RO	Bit	NC	PT	
x.05	T7 digital input 5 state	OFF (0) or On (1)		RO	Bit	NC	PT	
x.06	T8 digital input 6 state	OFF (0) or On (1)		RO	Bit	NC	PT	
x.07	Relay 1 state	OFF (0) or On (1)		RO	Bit	NC	PT	
x.08	Relay 2 state	OFF (0) or On (1)		RO	Bit	NC	PT	
x.09	T1 digital input 1 state	OFF (0) or On (1)		RO	Bit	NC	PT	
x.10	T2 digital input 2 state	OFF (0) or On (1)		RO	Bit	NC	PT	
x.11	T1 digital input 1 invert	OFF (0) or On (1)	OFF (0)	RW	Bit			US
x.12	T2 digital input 2 invert	OFF (0) or On (1)	OFF (0)	RW	Bit			US
x.13	T4 digital input 3 invert	OFF (0) or On (1)	OFF (0)	RW	Bit			US
x.14	T5 digital input 4 invert	OFF (0) or On (1)	OFF (0)	RW	Bit			US
x.15	T7 digital input 5 invert	OFF (0) or On (1)	OFF (0)	RW	Bit			US
x.16	T8 digital input 6 invert	OFF (0) or On (1)	OFF (0)	RW	Bit			US
x.17	Relay 1 invert	OFF (0) or On (1)	OFF (0)	RW	Bit			US
x.18	Relay 2 invert	OFF (0) or On (1)	OFF (0)	RW	Bit			US
x.20	Digital I/O read word	0 to 255		RO	Uni	NC	PT	
x.21	T1 digital input 1 destination	Pr 0.00 to Pr 21.51	Pr 0.00	RW	Uni	DE	PT	US
x.22	T2 digital input 2 destination	Pr 0.00 to Pr 21.51	Pr 0.00	RW	Uni	DE	PT	US
x.23	T4 digital input 3 destination	Pr 0.00 to Pr 21.51	Pr 0.00	RW	Uni	DE	PT	US
x.24	T5 digital input 4 destination	Pr 0.00 to Pr 21.51	Pr 0.00	RW	Uni	DE	PT	US
x.25	T7 digital input 5 destination	Pr 0.00 to Pr 21.51	Pr 0.00	RW	Uni	DE	PT	US
x.26	T8 digital input 6 destination	Pr 0.00 to Pr 21.51	Pr 0.00	RW	Uni	DE	PT	US
x.27	Relay 1 source	Pr 0.00 to Pr 21.51	Pr 0.00	RW	Uni		PT	US
x.28	Relay 2 source	Pr 0.00 to Pr 21.51	Pr 0.00	RW	Uni		PT	US
x.50	Solutions Module error status*	0 to 255		RO	Uni	NC	PT	
x.51	Solutions Module software sub-version	0 to 99		RO	Uni	NC	PT	

RW	Read / Write	RO	Read only	Uni	Unipolar	Bi	Bi-polar	Bit	Bit parameter	Txt	Text string		
FI	Filtered	DE	Destination	NC	Not copied	RA	Rating dependent	PT	Protected	US	User save	PS	Power down save

*See trip SLX.Er, Automation (I/O Expansion) module category on page 286.

Figure 13-6 SM-I/O 32 logic diagram



SM-I/O 32 parameters

Parameter	Range(⇅)	Default(⇆)	Type					
x.01	Solutions Module ID code	0 to 599	208	RO	Uni		PT	US
x.02	Solutions Module main software version	0.00 to 99.99	99.00	RO	Uni		NC	PT
x.03	Digital I/O 3 state	OFF(0) or On(1)	OFF (0)	RO	Bit		NC	PT
x.04	Digital I/O 4 state	OFF(0) or On(1)	OFF (0)	RO	Bit		NC	PT
x.05	Digital I/O 5 state	OFF(0) or On(1)	OFF (0)	RO	Bit		NC	PT
x.06	Digital I/O 6 state	OFF(0) or On(1)	OFF (0)	RO	Bit		NC	PT
x.07	Digital I/O 7 state	OFF(0) or On(1)	OFF (0)	RO	Bit		NC	PT
x.08	Digital I/O 8 state	OFF(0) or On(1)	OFF (0)	RO	Bit		NC	PT
x.09	Digital I/O 1 state	OFF(0) or On(1)	OFF (0)	RO	Bit		NC	PT
x.10	Digital I/O 2 state	OFF(0) or On(1)	OFF (0)	RO	Bit		NC	PT
x.11	Digital I/O 1 invert	OFF(0) or On(1)	OFF (0)	RW	Bit			US
x.12	Digital I/O 2 invert	OFF(0) or On(1)	OFF (0)	RW	Bit			US
x.13	Digital I/O 3 invert	OFF(0) or On(1)	OFF (0)	RW	Bit			US
x.14	Digital I/O 4 invert	OFF(0) or On(1)	OFF (0)	RW	Bit			US
x.15	Digital I/O 5 invert	OFF(0) or On(1)	OFF (0)	RW	Bit			US
x.16	Digital I/O 6 invert	OFF(0) or On(1)	OFF (0)	RW	Bit			US
x.17	Digital I/O 7 invert	OFF(0) or On(1)	OFF (0)	RW	Bit			US
x.18	Digital I/O 8 invert	OFF(0) or On(1)	OFF (0)	RW	Bit			US
x.20	Digital I/O read word	0 to 255	0	RO	Uni		NC	PT
x.21	Digital I/O 1 source/destination	Pr 0.00 to Pr 21.51	Pr 0.00	RW	Uni	DE		PT
x.22	Digital I/O 2 source/destination	Pr 0.00 to Pr 21.51	Pr 0.00	RW	Uni	DE		PT
x.23	Digital I/O 3 source/destination	Pr 0.00 to Pr 21.51	Pr 0.00	RW	Uni	DE		PT
x.24	Digital I/O 4 source/destination	Pr 0.00 to Pr 21.51	Pr 0.00	RW	Uni	DE		PT
x.25	Digital I/O 5 source/destination	Pr 0.00 to Pr 21.51	Pr 0.00	RW	Uni	DE		PT
x.26	Digital I/O 6 source/destination	Pr 0.00 to Pr 21.51	Pr 0.00	RW	Uni	DE		PT
x.27	Digital I/O 7 source/destination	Pr 0.00 to Pr 21.51	Pr 0.00	RW	Uni	DE		PT
x.28	Digital I/O 8 source/destination	Pr 0.00 to Pr 21.51	Pr 0.00	RW	Uni	DE		PT
x.29	Digital I/O 4 output select	OFF(0) or On(1)	On(1)	RW	Bit			PT
x.31	Digital I/O 1 output select	OFF(0) or On(1)	OFF (0)	RW	Bit			US
x.32	Digital I/O 2 output select	OFF(0) or On(1)	OFF (0)	RW	Bit			US
x.33	Digital I/O 3 output select	OFF(0) or On(1)	OFF (0)	RW	Bit			US
x.43	First update method direction register	Pr 0.00 to Pr 21.51	Pr 0.00	RW	Uni	DE		PT
x.47	Fast update method read register	Pr 0.00 to Pr 21.51	Pr 0.00	RW	Uni	DE		PT
x.48	Fast update method write register	Pr 0.00 to Pr 21.51	Pr 0.00	RW	Uni			PT
x.50	Solutions Module error status*	0 to 255		RO	Uni		NC	PT
x.51	Solutions Module software sub-version	0 to 99		RO	Uni		NC	PT

RW	Read / Write	RO	Read only	Uni	Unipolar	Bi	Bi-polar	Bit	Bit parameter	Txt	Text string		
Fl	Filtered	DE	Destination	NC	Not copied	RA	Rating dependent	PT	Protected	US	User save	PS	Power down save

*See trip SLX.Er, Automation (I/O Expansion) module category on page 286.

Applications module parameters

Parameter		Range(↕)	Default(⇔)	Type					
x.01	Solutions Module ID	0 to 599		RO	Uni			PT	US
x.02	Solutions Module software version	0.00 to 99.99		RO	Uni		NC	PT	
x.03	DPL program status	None (0), Stop (1), Run (2), Trip (3)		RO	Txt		NC	PT	
x.04	Available system resource	0 to 100		RO	Uni		NC	PT	
x.05	RS485 address	0 to 255	11	RW	Uni				US
x.06	RS485 mode	0 to 255	1	RW	Uni				US
x.07	RS485 baud rate	300 (0), 600 (1), 1200 (2), 2400 (3), 4800 (4), 9600 (5), 19200 (6), 38400 (7), 57600 (8), 115200 (9) baud	4800 (4)	RW	Txt				US
x.08	RS485 Turnaround delay	0 to 255 ms	2	RW	Uni				US
x.09	RS485 Tx enable delay	0 to 1 ms	0	RW	Uni				US
x.10	DPL Print Routing	SYPT: OFF (0), RS485: On (1)	SYPT: OFF (0)	RW	Bit				US
x.11	Clock task scheduling (ms)	0 to 200	10	RW	Uni				US
x.12	POS task scheduling rate	disABLEd (0), 0.25 ms (1), 0.5 ms (2), 1 ms (3), 2 ms (4), 4 ms (5), 8 ms (6)	disABLEd (0)	RW	Txt				US
x.13	Enable autorun	OFF (0) or On (1)	On (1)	RW	Bit				US
x.14	Global run time trip enable	OFF (0) or On (1)	OFF (0)	RW	Bit				US
x.15	Disable reset on trip cleared	OFF (0) or On (1)	OFF (0)	RW	Bit				US
x.16	Encoder data update rate	0 to 3	0	RW	Uni				US
x.17	Enable parameter over range trips	OFF (0) or On (1)	OFF (0)	RW	Bit				US
x.18	Watchdog enable	OFF (0) or On (1)	OFF (0)	RW	Bit				US
x.19	Save request	OFF (0) or On (1)	OFF (0)	RW	Bit		NC		
x.20	Enable power down save	OFF (0) or On (1)	OFF (0)	RW	Bit				US
x.21	Enable menu 20 save and restore	OFF (0) or On (1)	OFF (0)	RW	Bit				US
x.22	CTNet Token Ring ID	0 to 255	0	RW	Uni				US
x.23	CTNet node address	0 to 255	0	RW	Uni				US
x.24	CTNet baud rate	5.000 (0), 2.500 (1), 1.250 (2), 0.625 (3)	2.500 (1)	RW	Txt				US
x.25	CTNet sync setup	0,000 to 9,999	0,000	RW	Uni				US
x.26	CTNet easy mode - first cyclic parameter destination node	0 to 25,503	0	RW	Uni				US
x.27	CTNet easy mode - first cyclic source parameter	0 to 9,999	0	RW	Uni				US
x.28	CTNet easy mode - second cyclic parameter destination node	0 to 25,503	0	RW	Uni				US
x.29	CTNet easy mode - second cyclic source parameter	0 to 9,999	0	RW	Uni				US
x.30	CTNet easy mode - third cyclic parameter destination node	0 to 25,503	0	RW	Uni				US
x.31	CTNet easy mode - third cyclic source parameter	0 to 9,999	0	RW	Uni				US
x.32	CTNet easy mode set-up - Transfer slot 1 destination parameter	0 to 9,999	0	RW	Uni				US
x.33	CTNet easy mode set-up - Transfer slot 2 destination parameter	0 to 9,999	0	RW	Uni				US
x.34	CTNet easy mode set-up - Transfer slot 3 destination parameter	0 to 9,999	0	RW	Uni				US
x.35	CTNet sync event task ID	Disabled (0), Event (1), Event1 (2), Event2 (3), Event3 (4)	Disabled (0)	RW	Txt				US
x.36	CTNet diagnostic parameter			RO	Uni		NC	PT	
x.37	Reject download if drive enabled	OFF (0) or On (1)	OFF (0)	RW	Bit				US
x.38	Do not trip drive on APC run-time error	OFF (0) or On (1)	OFF (0)	RW	Bit				US
x.39	Inter-module synchronisation status	0 to 3	0	RO	Uni		NC		
x.41	Indexer control	0 to 255	0	RW	Uni		NC		
x.42	Freeze main drive position	OFF (0) or On (1)	OFF (0)	RW	Bit				US
x.43	Freeze invert	OFF (0) or On (1)	OFF (0)	RW	Bit				US
x.44	Task priority level	0 to 255	0	RW	Uni				US
x.45	Indexer step	0 to 65535		RO	Uni		NC		
x.46	Indexer error number	-32,768 to =32,767		RO	Uni		NC		
x.47	Indexer state	0 to 255		RO	Uni		NC		
x.48	DPL line number in error	0 to 2,147,483,647	0	RO	Uni		NC	PT	
x.49	User program ID	-32,767 to +32,768	0	RO	Bi		NC	PT	
x.50	Solutions Module error status*	0 to 255		RO	Uni		NC	PT	
x.51	Solutions Module software sub-version	0 to 99		RO	Uni		NC	PT	

RW	Read / Write	RO	Read only	Uni	Unipolar	Bi	Bi-polar	Bit	Bit parameter	Txt	Text string		
FI	Filtered	DE	Destination	NC	Not copied	RA	Rating dependent	PT	Protected	US	User save	PS	Power down save

*See trip SLX.Er, Automation (Applications) module category on page 285.

13.15.4 Fieldbus module category

Fieldbus module parameters

Parameter		Range(⇅)	Default(⇔)	Type					
x.01	Solutions Module ID	0 to 599		RO	Uni			PT	US
x.02	Solutions Module software version	0.00 to 99.99		RO	Uni		NC	PT	
x.03	Fieldbus Node Address	65,535	65,535	RW	Uni				US
x.04	Fieldbus Baud Rate	-128 to +127	0	RW	Bi				US
x.05	Mode	65,535	4	RW	Uni				US
x.06	Fieldbus Diagnostic	±9,999		RO	Bi		NC	PT	
x.07	Trip Delay Time	0 to 3,000	200	RW	Uni				US
x.08	Little endianism select	OFF (0) or On (1)	On (1)	RW	Bit				US
x.09	Register control	OFF (0) or On (1)	OFF (0)	RW	Bit				US
x.10 to x.19	'I' data registers 0 - 9	-32,768 to +32,767		RW	Bi				
x.20 to x.29	'O' data registers 0 - 9	-32,768 to +32,767		RW	Bi				
x.30	Load Solutions Module defaults	OFF (0) or On (1)	OFF (0)	RW	Bit				US
x.31	Save Solutions Module parameters	OFF (0) or On (1)	OFF (0)	RW	Bit				US
x.32	Request to reinitialise	OFF (0) or On (1)	OFF (0)	RW	Bit				
x.33	Download from Fieldbus Solutions Module	OFF (0) or On (1)	OFF (0)	RW	Bit				
x.34	Compression	OFF (0) or On (1)	OFF (0)	RW	Bit				US
x.35	Serial number	-2,147,483,648 to 2,147,483,647		RO	Bi		NC	PT	
x.36 to x.37	Fieldbus specific	OFF (0) or On (1)	OFF (0)	RW	Bit				US
x.38	Fieldbus specific defined mode	0 to 255	0	RW	Uni				US
x.39	Cyclic input configuration	0 to 255	0	RW	Uni				US
x.40	Cyclic output configuration	0 to 255	0	RW	Uni				US
x.41 to x.43	Fieldbus specific	0 to 255	0	RW	Uni				US
x.44 to x.48	Fieldbus specific	0 to 255	0	RO	Uni			PT	
x.49	Mapping error status	0 to 255	0	RO	Uni			PT	
x.50	Solutions Module error status*	0 to 255		RO	Uni		NC	PT	

RW	Read / Write	RO	Read only	Uni	Unipolar	Bi	Bi-polar	Bit	Bit parameter	Txt	Text string		
FI	Filtered	DE	Destination	NC	Not copied	RA	Rating dependent	PT	Protected	US	User save	PS	Power down save

*See trip SLX.Er, *Fieldbus module category* on page 286.

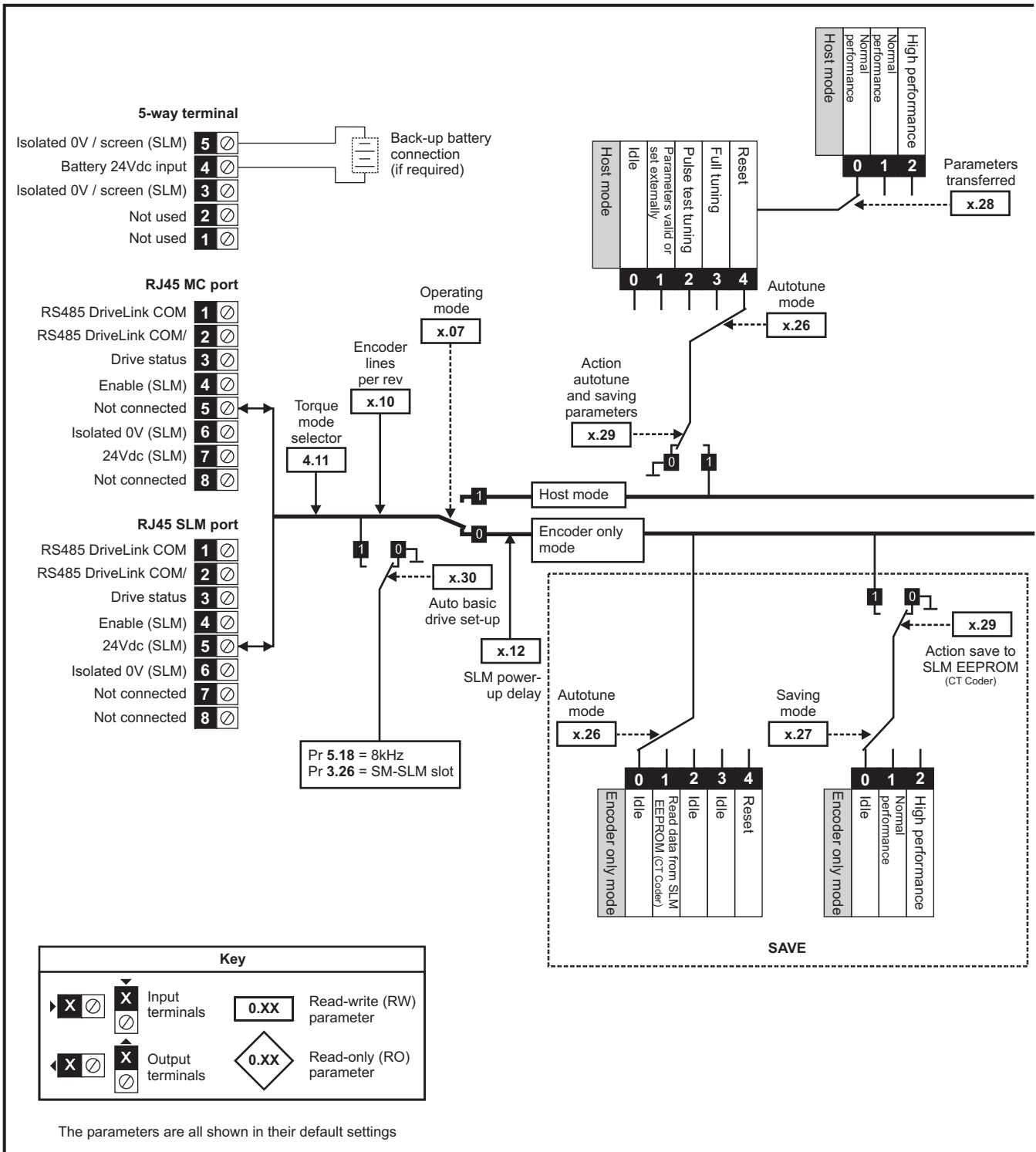
SM-LON parameters

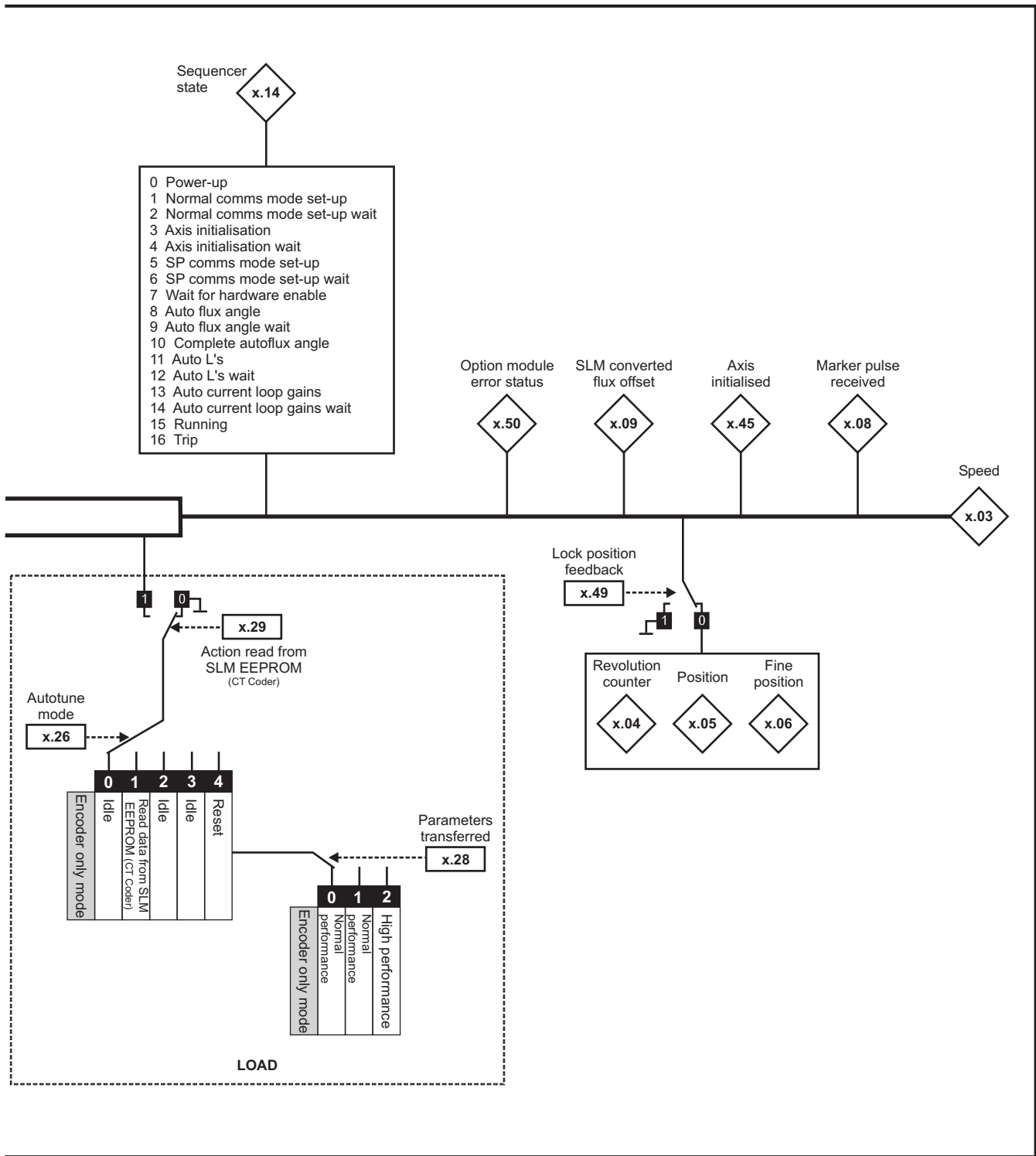
Parameter		Range(⇅)	Default(⇔)	Type			
x.01	Solutions Module ID	0 to 599	401	RO	Uni		PT US
x.02	Solutions Module software version	0.00 to 99.99		RO	Uni	NC	PT
x.03	Node ID	0 to 127	0	RW	Uni		
x.06	Option module diagnostic information	-9999 to 9999	0	RW	Uni		
x.07	Network loss trip	0 to 1	0	RW	Uni		
x.10	Subnet ID	0 to 255	0	RW	Uni		
x.11	Domain ID length	0 to 6	0	RW	Uni		
x.12	Domain ID byte 1	0 to 255	0	RW	Uni		
x.13	Domain ID byte 2	0 to 255	0	RW	Uni		
x.14	Domain ID byte 3	0 to 255	0	RW	Uni		
x.15	Domain ID byte 4	0 to 255	0	RW	Uni		
x.16	Domain ID byte 5	0 to 255	0	RW	Uni		
x.17	Domain ID byte 6	0 to 255	0	RW	Uni		
x.30	Load Option Defaults	Off (0) or On (1)	Off (0)	RW	Bit		
x.31	Save option parameters	Off (0) or On (1)	Off (0)	RW	Bit		
x.32	Request to re-initialise	Off (0) or On (1)	Off (0)	RW	Bit		
x.33	Restore parameters from option module	Off (0) or On (1)	Off (0)	RW	Bit		
x.34	Initialise drive reference selectors	Off (0) or On (1)	Off (0)	RW	Bit		
x.35	Option module serial number	-2147483648 to 2147483647		RO	Bi	NC	PT
x.36	Transmit service pin message	Off (0) or On (1)	Off (0)	RW	Bit		
x.37	Wink active	Off (0) or On (1)	Off (0)	RW	Bit		
x.38	Unconfigure option module	0 to 1	0	RW	Uni		
x.39	Default configuration property storage	0 to 1	0	RW	Uni		
x.50	Module error status	0 to 255		RO	Uni	NC	PT
x.51	Module software sub-version	0 to 99		RO	Uni	NC	PT

RW	Read / Write	RO	Read only	Uni	Unipolar	Bi	Bi-polar	Bit	Bit parameter	Txt	Text string		
FI	Filtered	DE	Destination	NC	Not copied	RA	Rating dependent	PT	Protected	US	User save	PS	Power down save

13.15.5 SLM module category

Figure 13-46 SM-SLM logic diagram





SM-SLM parameters

Parameter		Range(⇅)	Default(⇔)	Type					
x.01	Solutions Module ID	0 to 499		RO	Uni			PT	US
x.02	Solutions Module software version	0.0 to 99.99		RO	Uni		NC	PT	
x.03	Speed	±40,000.0 rpm		RO	Bi	FI	NC	PT	
x.04	Revolution counter	0 to 65,535 revolutions		RO	Uni	FI	NC	PT	
x.05	Position	0 to 65,535 (1/2 ¹⁶ ths of a revolution)		RO	Uni	FI	NC	PT	
x.06	Fine position	0 to 65,535 (1/2 ³² nds of a revolution)		RO	Uni	FI	NC	PT	
x.07	Operating mode	HoSt (0), Enc.Only (1)	HoSt (0)	RW	Txt				US
x.08	Marker pulse received indicator	OFF (0) or On (1)	OFF (0)	RO	Bit		NC		
x.09	SLM converted flux offset	0 to 65,535	0	RO	Uni				
x.10	Encoder lines per revolution	0 to 50,000	1024	RW	Uni				US
x.11	SLM software version	0.000 to 9.999	0.000	RO	Uni		NC	PT	
x.12	SLM power-up delay	0.000 (0), 0.250 (1), 0.500 (2), 0.750 (3), 1.000 (4), 1.250 (5), 1.500 (6) s	0.250 (1)	RW	Txt				US
x.13	Not used*								
x.14	Sequencer status	0 to 16		RO	Uni		NC	PT	
x.15	Not used*								
x.16	Not used*								
x.17	Not used*								
x.18	Not used*								
x.19	Feedback filter	0 (0), 1 (1), 2 (2), 4 (3), 8 (4), 16 (5) ms	0 (0)	RW	Txt				US
x.20	Not used*								
x.21	Not used*								
x.22	Not used*								
x.23	Not used*								
x.24	Not used*								
x.26	Autotune mode	0 to 4	0	RW	Uni				US
x.27	Saving mode	0 to 2	0	RW	Uni				US
x.28	Parameters transferred	0 to 2	0	RW	Uni				US
x.29	Action the tuning and saving parameters	OFF (0) or On (1)	OFF (0)	RW	Bit				US
x.30	Automatic basic drive set-up request	0 to 1	0	RW	Uni				US
x.32	Not used*								
x.33	Not used*								
x.34	Not used*								
x.35	Not used*								
x.36	Not used*								
x.37	Not used*								
x.38	Not used*								
x.39	Not used*								
x.40	Not used*								
x.41	Not used*								
x.42	Not used*								
x.43	Not used*								
x.44	Not used*								
x.45	Axis initialised	OFF (0) or On (1)		RO	Bit			PT	
x.46	Not used*								
x.47	Not used*								
x.48	Not used*								
x.49	Lock position feedback	OFF (0) or On (1)	OFF (0)	RW	Bit			PT	
x.50	Solutions Module error status**	0 to 255		RO	Uni		NC	PT	
x.51	Solutions Module software sub-version	0 to 99		RO	Uni		NC	PT	

RW	Read / Write	RO	Read only	Uni	Unipolar	Bi	Bi-polar	Bit	Bit parameter	Txt	Text string		
FI	Filtered	DE	Destination	NC	Not copied	RA	Rating dependent	PT	Protected	US	User save	PS	Power down save

* Some of the parameters which are not used will be introduced in scheduled product enhancement.

**See trip SLX.Er, *SLM module category* on page 287.

13.16 Menu 18: Application menu 1

Parameter		Range(⇅)	Default(⇄)	Type					
18.01	Application menu 1 power-down saved integer	-32,768 to +32,767	0	RW	Bi		NC		PS
18.02 to 18.10	Application menu 1 read-only integer	-32,768 to +32,767	0	RO	Bi		NC		
18.11 to 18.30	Application menu 1 read-write integer	-32,768 to +32,767	0	RW	Bi				US
18.31 to 18.50	Application menu 1 read-write bit	OFF (0) or On (1)	0	RW	Bit				US

13.17 Menu 19: Application menu 2

Parameter		Range(⇅)	Default(⇄)	Type					
19.01	Application menu 2 power-down saved integer	-32,768 to +32,767	0	RW	Bi		NC		PS
19.02 to 19.10	Application menu 2 read-only integer	-32,768 to +32,767	0	RO	Bi		NC		
19.11 to 19.30	Application menu 2 read-write integer	-32,768 to +32,767	0	RW	Bi				US
19.31 to 19.50	Application menu 2 read-write bit	OFF (0) or On (1)	0	RW	Bit				US

13.18 Menu 20: Application menu 3

Parameter		Range(⇅)	Default(⇄)	Type					
20.01 to 20.20	Application menu 3 read-write integer	-32,768 to +32,767	0	RW	Bi		NC		
20.21 to 20.40	Application menu 3 read-write long integer	-2^{31} to $2^{31}-1$	0	RW	Bi		NC		

With software V01.07.00 and later, all menu 20 parameters are transferred to the SMARTCARD when a 4yyy transfer is performed. See section 11.2.1 *Writing to the SMARTCARD* on page 150 for more information.

RW	Read / Write	RO	Read only	Uni	Unipolar	Bi	Bi-polar	Bit	Bit parameter	Txt	Text string		
FI	Filtered	DE	Destination	NC	Not copied	RA	Rating dependent	PT	Protected	US	User save	PS	Power down save


13.19 Menu 21: Second motor parameters

Parameter	Range(⇅)		Default(⇄)			Type					
	OL	CL	OL	VT	SV						
21.01	Maximum reference clamp {0.02}*	0 to 3,000.0 Hz	SPEED_LIMIT_MAX rpm	EUR> 50.0 USA> 60.0	EUR> 1,500.0 USA> 1,800.0	3,000.0	RW	Uni			US
21.02	Minimum reference clamp {0.01}*	±3,000.0 Hz	±SPEED_LIMIT_MAX rpm	0.0			RW	Bi			PT US
21.03	Reference selector {0.05}*	A1.A2 (0), A1.Pr (1), A2.Pr (2), Pr (3), PAd (4), Prc (5)		A1.A2 (0)			RW	Txt			US
21.04	Acceleration rate {0.03}*	0.0 to 3,200.0 s/100Hz	0.000 to 3,200.000 s/1000rpm	5.0	2.000	0.200	RW	Uni			US
21.05	Deceleration rate {0.04}*	0.0 to 3200.0 s/100Hz	0.000 to 3,200.000 s/1000rpm	10.0	2.000	0.200	RW	Uni			US
21.06	Rated frequency {0.47}*	0 to 3000.0 Hz	VT> 0 to 1250.0Hz	EUR> 50 USA> 60			RW	Uni			US
21.07	Rated current {0.46}*	0 to RATED_CURRENT_MAX A		Drive rated current (Pr 11.32)			RW	Uni	RA		US
21.08	Rated load rpm {0.45}*	0 to 180,000 rpm	0.00 to 40,000.00 rpm	EUR> 1,500 USA> 1,800	EUR> 1,450.00 USA> 1,770.00	3,000.00	RW	Uni			US
21.09	Rated voltage {0.44}*	0 to AC_VOLTAGE_SET_MAX V		200V rating drive: 230V 400V rating drive: EUR> 400V, USA> 460V 575V rating drive: 575V 690V rating drive: 690V			RW	Uni	RA		US
21.10	Rated power factor {0.43}*	0.000 to 1.000	VT> 0.000 to 1.000	0.85			RW	Uni	RA		US
21.11	Number of motor poles {0.42}*	Auto to 120 pole (0 to 60)		Auto (0) 6 POLE (3)			RW	Txt			US
21.12	Stator resistance	0.000 to 65.000 x 10 mΩ		0.0			RW	Uni	RA		US
21.13	Voltage offset	0.0 to 25.0 V		0.0			RW	Uni	RA		US
21.14	Transient inductance (σ _{Ls})	0.000 to 500.000mH		0.000			RW	Uni	RA		US
21.15	Motor 2 active	OFF (0) or On (1)					RO	Bit	NC	PT	
21.16	Thermal time constant {0.45}*	0.0 to 3000.0		89.0 20.0			RW	Uni			US
21.17	Speed controller Kp gain {0.07}*	0.000 to 6.5535 rad s ⁻¹		0.0300 0.0100			RW	Uni			US
21.18	Speed controller Ki gain {0.08}*	0.00 to 655.35 s/rad s ⁻¹		0.10 1.00			RW	Uni			US
21.19	Speed controller Kd gain {0.09}*	0.00000 to 0.65535 s ⁻¹ /rad s ⁻¹		0.00000			RW	Uni			US
21.20	Encoder phase angle {0.43}*	0.0 to 359.9 ° electrical		0.0			RW	Uni			US
21.21	Speed feedback selector	drv (0), SLot1 (1), SLot2 (2), SLot3 (3)		drv (0)			RW	Txt			US
21.22	Current controller Kp gain {0.38}*	0 to 30,000		20	200V: 75, 400V: 150, 575V: 180, 690V: 215		RW	Uni			US
21.23	Current controller Ki gain {0.39}*	0 to 30,000		40	200V: 1,000, 400V: 2,000, 575V: 2,400, 690V: 3,000		RW	Uni			US
21.24	Stator inductance (L _s)	VT> 0.00 to 5,000.00 mH		0.00			RW	Uni	RA		US
21.25	Motor saturation breakpoint 1	VT> 0 to 100% of rated flux		50			RW	Uni			US
21.26	Motor saturation breakpoint 2	VT> 0 to 100% of rated flux		75			RW	Uni			US
21.27	Motoring current limit	0 to MOTOR2_CURRENT_LIMIT_MAX %		165.0	175.0		RW	Uni	RA		US
21.28	Regen current limit	0 to MOTOR2_CURRENT_LIMIT_MAX %		165.0	175.0		RW	Uni	RA		US
21.29	Symmetrical current limit {0.06}*	0 to MOTOR2_CURRENT_LIMIT_MAX %		165.0	175.0		RW	Uni	RA		US
21.30	Motor volts per 1,000 rpm, K _e	SV> 0 to 10,000 V		98			RW	Uni			US
21.31	Motor pole pitch	0.00 to 655.35 mm		0.00			RW	Uni			US

RW	Read / Write	RO	Read only	Uni	Unipolar	Bi	Bi-polar	Bit	Bit parameter	Txt	Text string		
FI	Filtered	DE	Destination	NC	Not copied	RA	Rating dependent	PT	Protected	US	User save	PS	Power down save

* The menu 0 references are only valid when the second motor map parameters have been made active by setting Pr 11.45 to 1. (The second motor map only becomes effective when the output stage of the drive is not enabled, i.e. inh, rdY, or trip states.)

When the second motor map parameters are active, the symbol 'Mot2' will appear in the lower left hand corner of the LCD display or the decimal point that is second from the right on the first row of the LED display is lit.



Encoder phase angle (servo mode only)

With drive software version V01.08.00 onwards, the encoder phase angles in Pr 3.25 and Pr 21.20 are copied to the SMARTCARD when using any of the SMARTCARD transfer methods.

With drive software version V01.05.00 to V01.07.01, the encoder phase angles in Pr 3.25 and Pr 21.20 are only copied to the SMARTCARD when using either Pr 0.30 set to Prog (2) or Pr xx.00 set to 3yyy.

This is useful when the SMARTCARD is used to back-up the parameter set of a drive but caution should be used if the SMARTCARD is used to transfer parameter sets between drives.

Unless the encoder phase angle of the servo motor connected to the destination drive is known to be the same as the servo motor connected to the source drive, an autotune should be performed or the encoder phase angle should be entered manually into Pr 3.25 (or Pr 21.20). If the encoder phase angle is incorrect the drive may lose control of the motor resulting in an O.SPd or Enc10 trip when the drive is enabled.

With drive software version V01.04.00 and earlier, or when using software version V01.05.00 to V01.07.01 and Pr xx.00 set to 4yyy is used, then the encoder phase angles in Pr 3.25 and Pr 21.20 are not copied to the SMARTCARD. Therefore, Pr 3.25 and Pr 21.20 in the destination would not be changed during a transfer of this data block from the SMARTCARD.

13.20 Menu 22: Additional Menu 0 set-up

Parameter	Range(⇅)	Default(⇄)			Type								
		OL	VT	SV									
22.01	Parameter 0.31 set-up	Pr 1.00 to Pr 21.51			Pr 11.33			RW	Uni			PT	US
22.02	Parameter 0.32 set-up	Pr 1.00 to Pr 21.51			Pr 11.32			RW	Uni			PT	US
22.03	Parameter 0.33 set-up	Pr 1.00 to Pr 21.51			Pr 6.09	Pr 5.16	Pr 0.00	RW	Uni			PT	US
22.04	Parameter 0.34 set-up	Pr 1.00 to Pr 21.51			Pr 11.30			RW	Uni			PT	US
22.05	Parameter 0.35 set-up	Pr 1.00 to Pr 21.51			Pr 11.24			RW	Uni			PT	US
22.06	Parameter 0.36 set-up	Pr 1.00 to Pr 21.51			Pr 11.25			RW	Uni			PT	US
22.07	Parameter 0.37 set-up	Pr 1.00 to Pr 21.51			Pr 11.23			RW	Uni			PT	US
22.10	Parameter 0.40 set-up	Pr 1.00 to Pr 21.51			Pr 5.12			RW	Uni			PT	US
22.11	Parameter 0.41 set-up	Pr 1.00 to Pr 21.51			Pr 5.18			RW	Uni			PT	US
22.18	Parameter 0.48 set-up	Pr 1.00 to Pr 21.51			Pr 11.31			RW	Uni			PT	US
22.20	Parameter 0.50 set-up	Pr 1.00 to Pr 21.51			Pr 11.29			RW	Uni			PT	US
22.21	Parameter 0.51 set-up	Pr 1.00 to Pr 21.51			Pr 10.37			RW	Uni			PT	US
22.22	Parameter 0.52 set-up	Pr 1.00 to Pr 21.51			Pr 0.00			RW	Uni			PT	US
22.23	Parameter 0.53 set-up	Pr 1.00 to Pr 21.51			Pr 0.00			RW	Uni			PT	US
22.24	Parameter 0.54 set-up	Pr 1.00 to Pr 21.51			Pr 0.00			RW	Uni			PT	US
22.25	Parameter 0.55 set-up	Pr 1.00 to Pr 21.51			Pr 0.00			RW	Uni			PT	US
22.26	Parameter 0.56 set-up	Pr 1.00 to Pr 21.51			Pr 0.00			RW	Uni			PT	US
22.27	Parameter 0.57 set-up	Pr 1.00 to Pr 21.51			Pr 0.00			RW	Uni			PT	US
22.28	Parameter 0.58 set-up	Pr 1.00 to Pr 21.51			Pr 0.00			RW	Uni			PT	US
22.29	Parameter 0.59 set-up	Pr 1.00 to Pr 21.51			Pr 0.00			RW	Uni			PT	US

RW	Read / Write	RO	Read only	Uni	Unipolar	Bi	Bi-polar	Bit	Bit parameter	Txt	Text string		
Fl	Filtered	DE	Destination	NC	Not copied	RA	Rating dependent	PT	Protected	US	User save	PS	Power down save

13.21 Advanced features

This section gives information on some of the advanced functions of the drive. For additional information see the *Advanced User Guide*.

Reference modes	Pr 1.14, Pr 1.15 and Pr 8.39
Braking modes	Pr 2.04 and Pr 2.08
S ramps	Pr 2.06 and Pr 2.07
Torque modes	Pr 4.08 and Pr 4.11
Stop modes	Pr 6.01, Pr 6.06, Pr 6.07 and Pr 6.08
Main loss modes	Pr 6.03, Pr 6.48, Pr 4.13 and Pr 4.14
Start/stop logic modes	Pr 6.04 and Pr 6.40
Catch a spinning motor	Pr 6.09 and Pr 5.40
Position loop modes	Pr 13.10
Fast disable	Pr 6.29

13.21.1 Reference modes

1.14		Reference selector					
RW	Txt					NC	US
↕	A1.A2 (0), A1.Pr (2), A2.Pr (2), Pr (3), PAd (4), Prc (5)	⇒	A1.A2 (0)				

1.15		Preset reference selector					
RW	Uni					NC	US
↕	0 to 9	⇒	0				

8.39		T28 and T29 auto-selection disable					
RW	Bit					US	
↕	OFF (0) or On (1)	⇒	OFF (0)				

If Pr 8.39 is set to OFF (0), then the setting of Pr 1.14 automatically changes the operation of digital inputs T28 and T29 by configuring the destination parameters Pr 8.25 and Pr 8.26. To allow Pr 8.25 and Pr 8.26 to be changed manually by the user, the automatic set-up must be disabled by setting Pr 8.39 to 1.

If Pr 8.39 is 0 and Pr 1.14 is changed, then a drive reset is required before the function of terminal T28 or T29 will become active.

Table 13-7 Active reference

Pr 1.14	Pr 1.15	Digital Input T28		Digital Input T29		Pr 1.49	Pr 1.50	Active Reference
		State	Function	State	Function			
A1.A2 (0)	0 or 1	0	Local Remote		Jog forward**	1	1	Analog input 1
		1				2	1	Analog input 2
	2 to 8	No function	1 or 2			2 to 8	Preset reference 2 to 8	
	9 *	0	Local Remote			1	1	Analog input 1
		1				2	1	Analog input 2
			No function	1 or 2	2 to 8	Preset reference 2 to 8		
A1.Pr (1)	0	0	Preset select bit 0		Preset select bit 1	1	1	Analog input 1
		1					2	Preset reference 2
		0					3	Preset reference 3
		1					4	Preset reference 4
	1		No function	No function	1		Analog input 1	
	2 to 8				2 to 8		Preset reference 2 to 8	
	9 *				1		Analog input 1	
			No function		2 to 8	Preset reference 2 to 8		
A2.Pr (2)	0	0	Preset select bit 0		Preset select bit 1	2	1	Analog input 2
		1					2	Preset reference 2
		0					3	Preset reference 3
		1					4	Preset reference 4
	1		No function	No function	1		Analog input 2	
	2 to 8				2 to 8		Preset reference 2 to 8	
	9 *				1		Analog input 2	
			No function		2 to 8	Preset reference 2 to 8		
Pr (3)	0	0	Preset select bit 0		Preset select bit 1	3	1	Preset reference 1
		1					2	Preset reference 2
		0					3	Preset reference 3
		1					4	Preset reference 4
	1 to 8		No function	No function	1 to 8		Preset reference 1 to 8	
9 *		1 to 8			Preset reference 1 to 8			
PAd (4)			No function		No function	4		Keypad reference
Prc (5)			No function		No function	5		Precision reference

* Setting Pr 1.15 to 9 enables the Preset reference scan timer. With the scan timer enabled analog 1 and preset references 2 to 8 are selected automatically in turn. Pr 1.16 defines the time between each change.

** Jog forward can only be selected when the drive is in either the ready (rdy), inhibit (inh) or trip states.

Preset references

Preset references 1 to 8 are contained in Pr 1.21 to Pr 1.28.

Keypad reference

If Keypad reference is selected the drive sequencer is controlled directly by the keypad keys and the keypad reference parameter (Pr 1.17) is selected. The sequencing bits, Pr 6.30 to Pr 6.34, and Pr 6.37 have no effect and jog is disabled.

Precision reference

If Precision reference is selected the speed reference is given Pr 1.18 and Pr 1.19.

13.21.2 Braking Modes

2.04		Ramp mode select	
RW	Txt		US
OL	↕	FAST (0), Std (1), Std.hV (2)	⇒ Std (1)
		FAST (0), Std (1)	

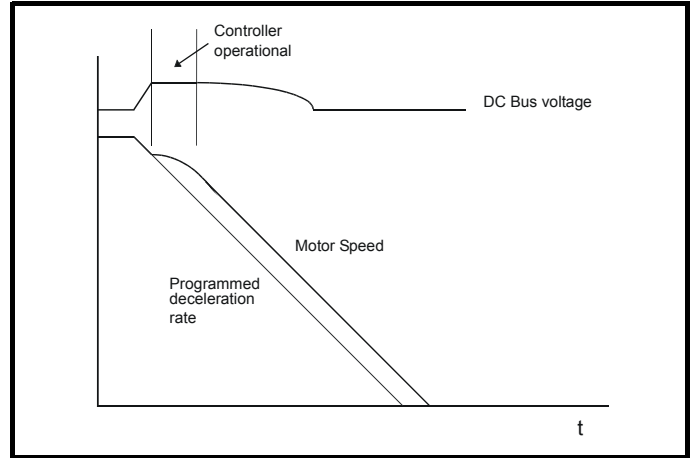
This parameter does not affect the acceleration ramp, as the ramp output always rises at the programmed acceleration rate subject to the current limits. It is possible in under some unusual circumstances in open-loop mode (i.e. highly inductive supply) for the motor to reach a low speed in standard ramp mode, but not completely stop. It is also possible if the drive attempts to stop the motor with an overhauling load in any mode that the motor will not stop when standard ramp mode or fast ramp mode is used. If the drive is in the deceleration state the rate of fall of the frequency or speed is monitored. If this does not fall for 10 seconds the drive forces the frequency or the speed reference to zero. This only applies when the drive is in the deceleration state and not when the reference is simply set to zero.

0: Fast ramp

Fast ramp is used where the deceleration follows the programmed deceleration rate subject to current limits.

1: Standard ramp

Standard ramp is used. During deceleration, if the voltage rises to the standard ramp level (Pr 2.08) it causes a controller to operate, the output of which changes the demanded load current in the motor. As the controller regulates the link voltage, the motor deceleration increases as the speed approaches zero speed. When the motor deceleration rate reaches the programmed deceleration rate the controller ceases to operate and the drive continues to decelerate at the programmed rate. If the standard ramp voltage (Pr 2.08) is set lower than the nominal DC Bus level the drive will not decelerate the motor, but it will coast to rest. The output of the ramp controller (when active) is a current demand that is fed to the frequency changing current controller (Open-loop modes) or the torque producing current controller (Closed-loop vector or Servo modes). The gain of these controllers can be modified with Pr 4.13 and Pr 4.14.



2: Standard ramp with motor voltage boost

This mode is the same as normal standard ramp mode except that the motor voltage is boosted by 20%. This increases the losses in the motor giving faster deceleration.

2.08		Standard ramp voltage	
RW	Uni	RA	US
↕		0 to DC_VOLTAGE_SET_MAX V	⇒ 200V drive: 375 400V drive: EUR> 750 USA> 775 575V drive: 895 690V drive: 1075

This voltage is used as the control level for standard ramp mode. If this parameter is set too low the machine will coast to rest, and if it is set too high and no braking resistor is used the drive may give an over-volt 'OV' trip. The minimum level should be greater than the voltage produced on the DC Bus by the highest supply voltage. Normally the DC Bus voltage will be approximately the rms supply line voltage x $\sqrt{2}$.

Care should be taken in the setting of this parameter. It is recommended that the setting should be at least 50V higher than the maximum expected level of the DC Bus voltage. If this is not done, the motor may fail to decelerate on a STOP command.

WARNING

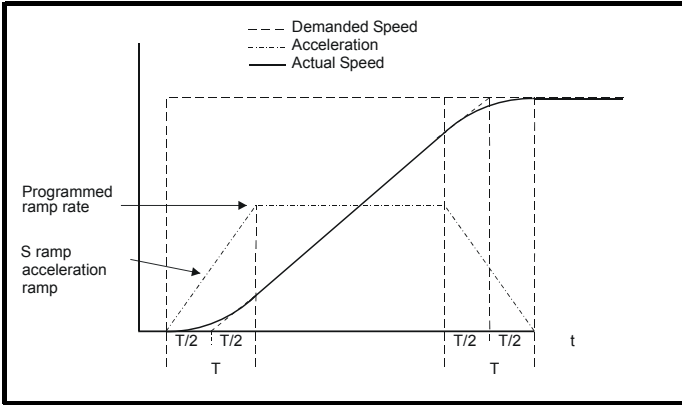
13.21.3 S ramps

2.06		S ramp enable	
RW	Bit		US
↕		OFF (0) or On (1)	⇒ OFF (0)

Setting this parameter enables the S ramp function. S ramp is disabled during deceleration using standard ramp. When the motor is accelerated again after decelerating in standard ramp the acceleration ramp used by the S ramp function is reset to zero.

2.07		S ramp acceleration limit	
RW	Uni		US
OL	↕	0.0 to 300.0 s ² /100Hz	⇒ 3.1
VT		0.000 to 100.000	⇒ 1.500
SV		s ² /1000rpm	⇒ 0.030

This parameter defines the maximum rate of change of acceleration/ deceleration. The default values have been chosen such that for the default ramps and maximum speed, the curved parts of the S will be 25% of the original ramp if S ramp is enabled.



Since the ramp rate is defined in s/100Hz or s/1000rpm and the S ramp parameter is defined in s²/100Hz or s²/1000rpm, the time T for the 'curved' part of the S can be determined from:

$$T = \text{S ramp rate of change} / \text{Ramp rate}$$

Enabling S ramp increases the total ramp time by the period T since an additional T/2 is added to each end of the ramp in producing the S.

13.21.4 Torque modes

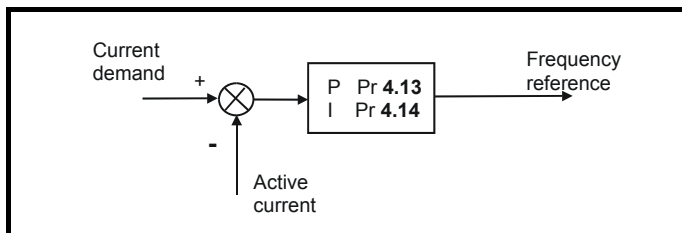
4.08		Torque reference															
RW	Bi															US	
↕		±USER_CURRENT_MAX %														⇒	0.00

Parameter for main torque reference. The normal update rate for the torque reference is 4ms. However if analog inputs 2 or 3 on the drive are used as the source of the reference, the drive is in closed-loop vector or servo mode and the analog inputs are in voltage mode with zero offset, the sample time is reduced to 250µs.

4.11		Torque mode selector															
RW	Uni															US	
OL	↕	0 to 1														⇒	0
CL		0 to 4															

Open loop

If this parameter is 0 normal frequency control is used. If this parameter is set to 1 the current demand is connected to the current PI controller giving closed loop torque/current demand as shown below. The current error is passed through proportional and integral terms to give a frequency reference which is limited to the range: -SPEED_FREQ_MAX to +SPEED_FREQ_MAX.



Closed loop vector and Servo

When this parameter is set to 1, 2 or 3 the ramps are not active while the drive is in the run state. When the drive is taken out of the run state, but not disabled, the appropriate stopping mode is used. It is recommended that coast stopping or stopping without ramps are used. However, if ramp stop mode is used the ramp output is pre-loaded with the actual speed at the changeover point to avoid unwanted jumps in the speed reference.

0: Speed control mode

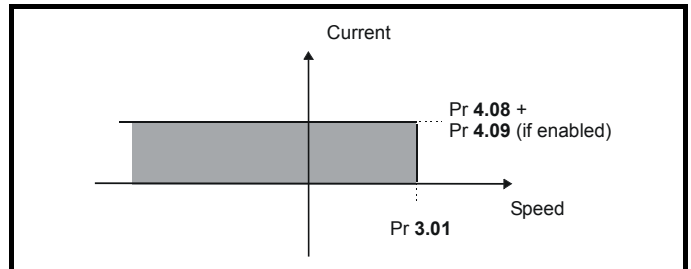
The torque demand is equal to the speed loop output.

1: Torque control

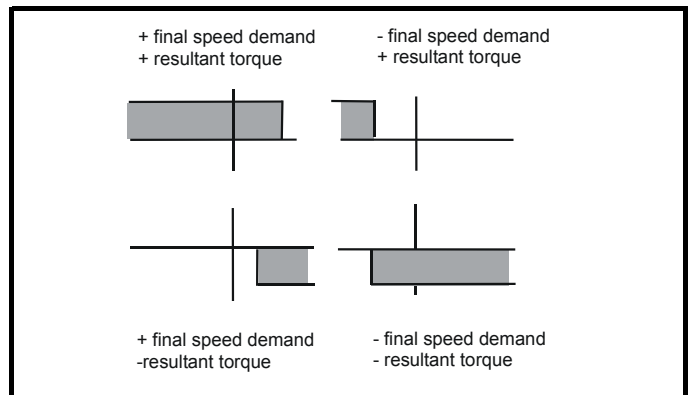
The torque demand is given by the sum of the torque reference and the torque offset, if enabled. The speed is not limited in any way, however, the drive will trip at the overspeed threshold if runaway occurs.

2: Torque control with speed override

The output of the speed loop defines the torque demand, but is limited between 0 and the resultant torque reference (Pr 4.08 and Pr 4.09 (if enabled)). The effect is to produce an operating area as shown below if the final speed demand and the resultant torque reference are both positive. The speed controller will try and accelerate the machine to the final speed demand level with a torque demand defined by the resultant torque reference. However, the speed cannot exceed the reference because the required torque would be negative, and so it would be clamped to zero.



Depending on the sign of the final speed demand and the resultant torque the four areas of operation shown below are possible.



This mode of operation can be used where torque control is required, but the maximum speed must be limited by the drive.

3: Coiler/uncoiler mode

Positive final speed demand:

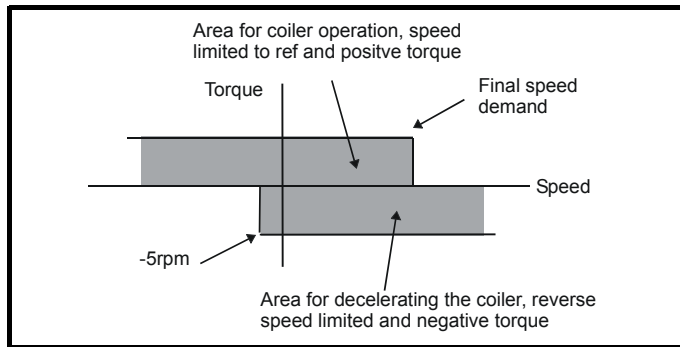
A positive resultant torque will give torque control with a positive speed limit defined by the final speed demand. A negative resultant torque will give torque control with a negative speed limit of -5rpm.

Negative final speed demand:

A negative resultant torque will give torque control with a negative speed limit defined by the final speed demand. A positive resultant torque will give torque control with a positive speed limit of +5rpm.

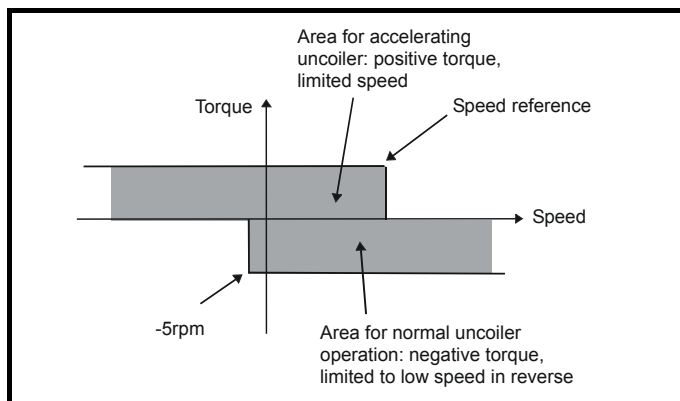
Example of coiler operation:

This is an example of a coiler operating in the positive direction. The final speed demand is set to a positive value just above the coiler reference speed. If the resultant torque demand is positive the coiler operates with a limited speed, so that if the material breaks the speed does not exceed a level just above the reference. It is also possible to decelerate the coiler with a negative resultant torque demand. The coiler will decelerate down to -5rpm until a stop is applied. The operating area is shown in the following diagram.



Example of uncoiler operation:

This is an example for an uncoiler operating in the positive direction. The final speed demand should be set to a level just above the maximum normal speed. When the resultant torque demand is negative the uncoiler will apply tension and try and rotate at 5rpm in reverse, and so take up any slack. The uncoiler can operate at any positive speed applying tension. If it is necessary to accelerate the uncoiler a positive resultant torque demand is used. The speed will be limited to the final speed demand. The operating area is the same as that for the coiler and is shown below:



4: Speed control with torque feed-forward

The drive operates under speed control, but a torque value may be added to the output of the speed controller. This can be used to improve the regulation of systems where the speed loop gains need to be low for stability.

13.21.5 Stop modes

6.01		Stop mode	
RW	Txt		US
OL	COASt (0), rP (1), rP.dcl (2), dcl (3), td.dcl (4), diSABLE (5)	⇒	rP (1)
VT			
SV	COASt (0), rP (1), no.rP (2)		no.rP (2)

Open-loop

Stopping is in two distinct phases: decelerating to stop, and stopped.

Stopping Mode	Phase 1	Phase 2	Comments
0: Coast	Inverter disabled	Drive cannot be re-enabled for 1s	Delay in phase 2 allows rotor flux to decay
1: Ramp	Ramp down to zero frequency	Wait for 1s with inverter enabled	
2: Ramp followed by DC injection	Ramp down to zero frequency	Inject DC at level specified by Pr 6.06 for time defined by Pr 6.07	
3: DC injection with zero speed detection	Low frequency current injection with detection of low speed before next phase	Inject DC at level specified by Pr 6.06 for time defined by Pr 6.07	The drive automatically senses low speed and therefore it adjusts the injection time to suit the application. If the injection current level is too small the drive will not sense low speed (normally a minimum of 50-60% is required).
4: Timed DC injection braking stop	Inject DC at level specified by Pr 6.06 for time specified by Pr 6.07		
5: Disable	Inverter disabled		Allows the drive to be immediately disabled and then re-enabled again immediately if required.

Once modes 3 or 4 have begun the drive must go through the ready state before being restarted either by stopping, tripping or being disabled.

If this parameter is set to DiASbLE (5), the disable stopping mode is used when the run command is removed. This mode will allow the drive to be started immediately by re-applying the run command. However, if the drive is disabled by removing the drive enable (i.e. via the Enable SAFE TORQUE OFF (SECURE DISABLE) input or Pr 6.15 *Drive enable*) then the drive cannot be re-enabled for 1s.

Closed loop vector and Servo

Only one stopping phases exists and the ready state is entered as soon as the single stopping action is complete.

Stopping Mode	Action
0: Coast	Inhibits the inverter
1: Ramp	Stop with ramp
2: No ramp	Stop with no ramp

The motor can be stopped with position orientation after stopping. This mode is selected with the position controller mode parameter (Pr 13.10). When this mode is selected Pr 6.01 has no effect.

6.06		Injection braking level	
RW	Uni	RA	US
OL	⇅	0.0 to 150.0 %	⇒ 100.0

Defines the current level used during DC injection braking as a percentage of motor rated current as defined by Pr 5.07.

6.07		Injection braking time														
RW	Uni														US	
OL	↕	0.0 to 25.0 s										⇒	1.0			

Defines the time of injection braking during phase 1 with stopping modes 3 and 4, and during phase 2 with stopping mode 2 (see Pr 6.01).

6.08		Hold zero speed														
RW	Bit														US	
OL		OFF (0) or On (1)										⇒	OFF (0)			
VT	↕											On (1)				
SV																

When this bit is set the drive remains active even when the run command has been removed and the motor has reached standstill. The drive goes to the 'StoP' state instead of the 'rdy' state.

13.21.6 Line power supply loss modes

6.03		Line power supply loss mode														
RW	Txt														US	
↕		diS (0), StoP (1), ridE.th (2)										⇒	diS (0)			

0: diS

There is no line power supply loss detection and the drive operates normally only as long as the DC bus voltage remains within specification (i.e. >Vuu). Once the voltage falls below Vuu an under-voltage 'UV' trip occurs. This will reset itself if the voltage rises above Vuu Restart, as stated in the table below.

1: StoP - Open-loop

The action taken by the drive is the same as for ride through mode, except the ramp down rate is at least as fast as the deceleration ramp setting and the drive will continue to decelerate and stop even if the line power supply is re-applied. If normal or timed injection braking is selected the drive will use ramp mode to stop on loss of the supply. If ramp stop followed by injection braking is selected, the drive will ramp to a stop and then attempt to apply dc injection. At this point, unless the line power supply has been restored, the drive is likely to initiate a trip.

1: StoP - Closed-loop vector or Servo

The speed reference is set to zero and the ramps are disabled allowing the drive to decelerate the motor to a stop under current limit. If the Line power supply is re-applied while the motor is stopping any run signal is ignored until the motor has stopped. If the current limit value is set very low level the drive may trip UV before the motor has stopped.

2: ridE.th

The drive detects line power supply loss when the DC Bus voltage falls below Vml₁. The drive then enters a mode where a closed-loop controller attempts to hold the DC Bus level at Vml₁. This causes the motor to decelerate at a rate that increases as the speed falls. If the line power supply is re-applied it will force the DC Bus voltage above the detection threshold Vml₃ and the drive will continue to operate normally. The output of the line power supply loss controller is a current demand that is fed into the current control system and therefore the gain Pr 4.13 and Pr 4.14 must be set up for optimum control. See parameters Pr 4.13 and Pr 4.14 for set-up details.

The following table shows the voltage levels used by drives with each voltage rating.

Voltage level	200V drive	400V drive	575V drive	690V drive
Vuu	175	330	435	
Vml ₁	205*	410*	540*	
Vml ₂	Vml ₁ - 10V	Vml ₁ - 20V	Vml ₁ - 25V	
Vml ₃	Vml ₁ + 10V	Vml ₁ + 15V	Vml ₁ + 50V	
Vuu Restart	215	425	590	

* Vml₁ is defined by Pr 6.48. The values in the table above are the default values.

6.48		Line power supply loss ride through detection level															
RW	Uni													RA			US
↕		0 to DC_VOLTAGE_SET_MAX V										⇒	200V drive: 205 400V drive: 410 575V drive: 540 690V drive: 540				

The line power supply loss detection level can be adjusted using this parameter. If the value is reduced below the default value, the default value is used by the drive. If the level is set too high, so that the line power supply loss detection becomes active under normal operating conditions, the motor will coast to a stop.

4.13		Current loop P gain															
RW	Uni																US
OL	↕	0 to 30,000										⇒	All voltage ratings: 20				
CL	↕											200V drive: 75 400V drive: 150 575V drive: 180 690V drive: 215					

4.14		Current loop I gain															
RW	Uni																US
OL	↕	0 to 30,000										⇒	All voltage ratings: 40				
CL	↕											200V drive: 1,000 400V drive: 2,000 575V drive: 2,400 690V drive: 3,000					

Open-loop

These parameters control the proportional and integral gains of the current controller used in the open loop drive. As already mentioned the current controller either provides current limits or closed loop torque control by modifying the drive output frequency. The control loop is also used in its torque mode during line power supply loss, or when the controlled mode standard ramp is active and the drive is decelerating, to regulate the flow of current into the drive. Although the default settings have been chosen to give suitable gains for less demanding applications it may be necessary for the user to adjust the performance of the controller. The following is a guide to setting the gains for different applications.

Current limit operation:

The current limits will normally operate with an integral term only, particularly below the point where field weakening begins. The proportional term is inherent in the loop. The integral term must be increased enough to counter the effect of the ramp which is still active even in current limit. For example, if the drive is operating at constant frequency and is overloaded the current limit system will try to reduce the output frequency to reduce the load. At the same time the ramp will try to increase the frequency back up to the demand level. If the integral gain is increased too far the first signs of instability will occur when operating around the point where field

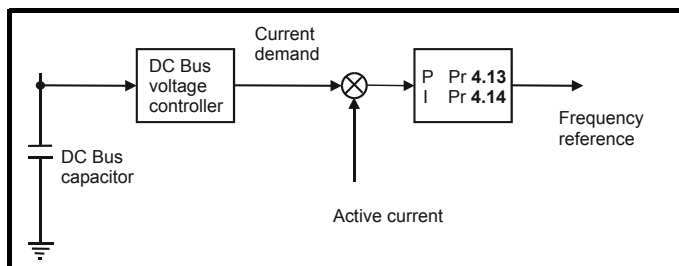
weakening begins. These oscillations can be reduced by increasing the proportional gain. A system has been included to prevent regulation because of the opposite actions of the ramps and the current limit. This can reduce the actual level that the current limit becomes active by 12.5%. This still allows the current to increase up to the current limit set by the user. However the current limit flag (Pr 10.09) could become active up to 12.5% below the current limit depending on the ramp rate used.

Torque control:

Again the controller will normally operate with an integral term only, particularly below the point where field weakening begins. The first signs of instability will appear around base speed, and can be reduced by increasing the proportional gain. The controller can be less stable in torque control mode rather than when it is used for current limiting. This is because load helps to stabilise the controller, and under torque control the drive may operate with light load. Under current limit the drive is often under heavy load unless the current limits are set at a low level.

Line power supply loss and controlled standard ramp:

The DC bus voltage controller becomes active if line power supply loss detection is enabled and the drive supply is lost or controlled standard ramp is being used and the machine is regenerating. The DC bus controller attempts to hold the DC bus voltage at a fixed level by controlling the flow of current from the drive inverter into its DC bus capacitors. The output of the DC bus controller is a current demand which is fed into the current PI controller as shown in the following diagram.



Although it is not usually necessary the DC bus voltage controller can be adjusted with Pr 5.31. However, it may often be necessary to adjust the current controller gains to obtain the required performance. If the gains are not suitable it is best to set up the drive in torque control first. Set the gains to a value that does not cause instability around the point at which field weakening occurs. Then revert back to open loop speed control in standard ramp mode. To test the controller the supply should be removed while the motor is running. It is likely that the gains can be increased further if required because the DC bus voltage controller has a stabilising effect, provided that the drive is not required to operate in torque control mode.

Closed-loop vector and Servo

The Kp and Ki gains are used in the voltage based current controller. The default values give satisfactory operation with most motors. However it may be necessary to change the gains to improve the performance. The proportional gain (Pr 4.13) is the most critical value in controlling the performance. Either the value can be set by auto-tuning (see Pr 5.12) or it can be set by the user so that

$$\text{Pr 4.13} = K_p = (L / T) \times (I_{fs} / V_{fs}) \times (256 / 5)$$

Where:

T is the sample time of the current controllers. The drive compensates for any change of sample time, and so it should be assumed that the sample time is equivalent to the lowest sample rate of 167µs.

L is the motor inductance. For a servo motor this is half the phase to phase inductance that is normally specified by the manufacturer. For an induction motor this is the per phase transient inductance (σL_s).

This is the inductance value stored in Pr 5.24 after the autotune test

is carried out. If σL_s cannot be measured it can be calculated from the steady state per-phase equivalent circuit of the motor as follows:

$$\sigma L_s = L_s - \left(\frac{L_m^2}{L_r} \right)$$

I_{fs} is the peak full scale current feedback = $K_C \times \sqrt{2} / 0.45$. Where K_C is defined in Table 13-5.

V_{fs} is the maximum DC Bus voltage.

Therefore:

$$\text{Pr 4.13} = K_p = (L / 167\mu s) \times (K_C \times \sqrt{2} / 0.45 / V_{fs}) \times (256 / 5) = K \times L \times K_C$$

Where:

$$K = [\sqrt{2} / (0.45 \times V_{fs} \times 167\mu s)] \times (256 / 5)$$

Drive voltage rating	Vfs	K
200V	415V	2322
400V	830V	1161
575V	990V	973
690V	1190V	809

This set-up will give a step response with minimum overshoot after a step change of current reference. The approximate performance of the current controllers will be as given below. The proportional gain can be increased by a factor of 1.5 giving a similar increase in bandwidth, however, this gives a step response with approximately 12.5% overshoot.

Switching frequency kHz	Current control sample time µs	Gain bandwidth Hz	Phase delay µs
3	167	TBA	1160
4	125	TBA	875
6	83	TBA	581
8	125	TBA	625
12	83	TBA	415
16	125	TBA	625

The integral gain (Pr 4.14) is less critical and should be set so that

$$\text{Pr 4.14} = K_i = K_p \times 256 \times T / \tau_m$$

Where:

τ_m is the motor time constant (L / R).

R is the per phase stator resistance of the motor (i.e. half the resistance measured between two phases).

Therefore

$$\text{Pr 4.14} = K_i = (K \times L \times K_C) \times 256 \times 167\mu s \times R / L = 0.0427 \times K \times R \times K_C$$

The above equation gives a conservative value of integral gain. In some applications where it is necessary for the reference frame used by the drive to dynamically follow the flux very closely (i.e. high speed closed-loop induction motor applications) the integral gain may need to have a significantly higher value.

13.21.7 Start / stop logic modes

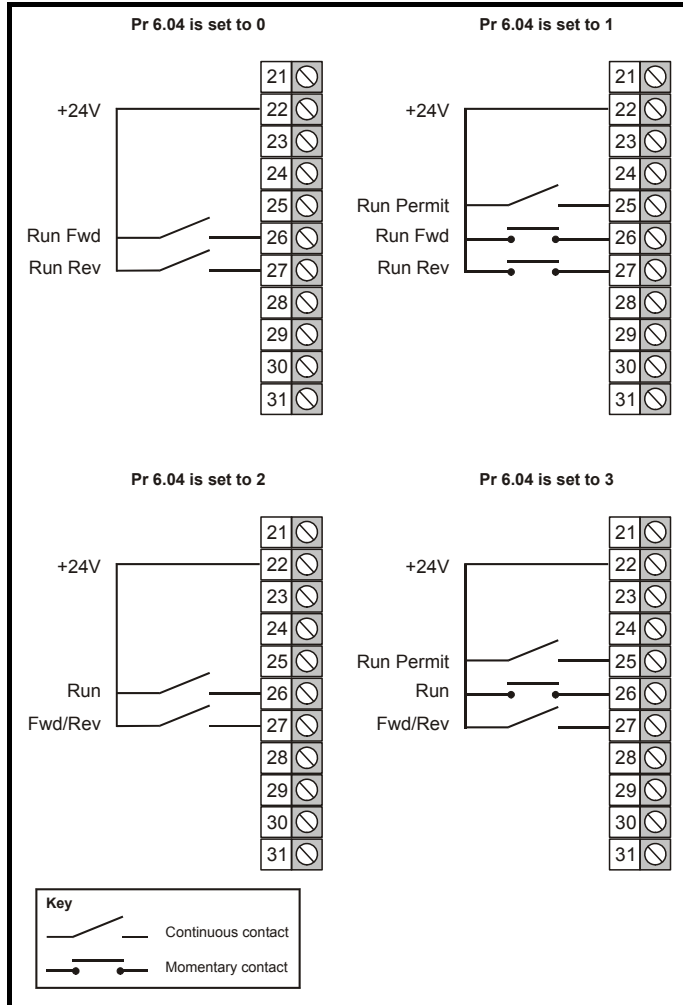
6.04		Start / stop logic select				
RW	Uni				US	
↕		0 to 4			⇒	0

This parameter is provided to allow the user to select several predefined digital input routing macros to control the sequencer. When a value between 0 and 3 is selected the drive processor continuously updates the destination parameters for digital I/O T25, T26 and T27, and the enable sequencer latching bit (Pr 6.40). When a value of 4 is selected the destination parameters for these digital I/O and Pr 6.40 can be modified by the user.

If Pr 6.04 is changed then a drive reset is required before the function of T25, T26 or T27 will become active.

Pr 6.04	T25	T26	T27	Pr 6.40
0	No Function	Pr 6.30 (Run Forward)	Pr 6.32 (Run Reverse)	0 (Non Latching)
1	Pr 6.39 (Run Permit)	Pr 6.30 (Run Forward)	Pr 6.32 (Run Reverse)	1 (Latching)
2	No Function	Pr 6.34 (Run)	Pr 6.33 (Fwd/Rev)	0 (Non Latching)
3	Pr 6.39 (Run Permit)	Pr 6.34 (Run)	Pr 6.33 (Fwd/Rev)	1 (Latching)
4	User programmable	User programmable	User programmable	User programmable

Figure 13-47 Digital input connections when Pr 6.04 is set to 0 to 3



13.21.8 Catch a spinning motor

6.09		Catch a spinning motor	
RW	Uni		US
OL	↕	0 to 3	0
CL	↔	0 to 1	1

Open-loop

When the drive is enabled with this parameter at zero, the output frequency starts at zero and ramps to the required reference. When the drive is enabled with this parameter at a non-zero value, the drive performs a start-up test to determine the motor speed and then sets the initial output frequency to the synchronous frequency of the motor.

The test is not carried out and the motor frequency starts at zero if one of the following is true.

- The run command is given when the drive is in the stop state
- The drive is first enabled after power-up with Ur_I voltage mode (Pr 5.14 = Ur_I).
- The run command is given with Ur_S voltage mode (Pr 5.14 = Ur_S).

With default parameters the length of the test is approximately 250ms, however, if the motor has a long rotor time constant (usually large motors) it may be necessary to extend the test time. The drive will do this automatically if the motor parameters including the rated load rpm are set up correctly for the motor.

For the test to operate correctly it is important that the stator resistance (Pr 5.17 or Pr 21.12) is set up correctly. This applies even if fixed boost (Pr 5.14 = Fd) or square law (Pr 5.14 = SrE) voltage mode is being used. The test uses the rated magnetising current of the motor during the test, therefore the rated current (Pr 5.07, Pr 21.07 and Pr 5.10, Pr 21.10) and power factor should be set to values close to those of the motor, although these parameters are not as critical as the stator resistance. For larger motors it may be necessary to increase Pr 5.40 *Spin start boost* from its default value of 1.0 for the drive to successfully detect the motor speed.

It should be noted that a stationary lightly loaded motor with low inertia might move slightly during the test. The direction of the movement is undefined. Restrictions may be placed on the direction of this movement and on the frequencies detected by the drive as follows:

Pr 6.09	Function
0	Disabled
1	Detect all frequencies
2	Detect positive frequencies only
3	Detect negative frequencies only

Closed-loop vector and Servo

When the drive is enabled with this bit at zero, the post ramp reference (Pr 2.01) starts at zero and ramps to the required reference. When the drive is enabled with this bit at one, the post ramp reference is set to the motor speed.

When closed-loop vector mode is used without position feedback, and catch a spinning motor is not required, this parameter should be set to zero as this avoids unwanted movement of the motor shaft when zero speed is required. When closed-loop vector mode without position feedback is used with larger motors it may be necessary to increase Pr 5.40 *Spin start boost* from its default value of 1.0 for the drive to successfully detect the motor speed.

6.40		Enable sequencer latching	
RW	Bit		US
↕		OFF (0) or On (1)	OFF (0)

This parameter enables sequencer latching. When sequencer latching is used, a digital input must be used as a run permit or not stop input. The digital input should write to Pr 6.39. The run permit or not stop input must be made active to allow the drive to run. Making the run permit or not stop input inactive resets the latch and stops the drive.

5.40		Spin start boost																
RW	Uni															US		
OL	VT	↕	0.0 to 10.0										⇒	1.0				

If Pr 6.09 is set to enable the catch a spinning motor function in open-loop mode or closed-loop vector mode without position feedback, (Pr 3.24 = 1 or 3) this parameter defines a scaling function used by the algorithm that detects the speed of the motor. It is likely that for smaller motors the default value of 1.0 is suitable, but for larger motors this parameter may need to be increased. If the value of this parameter is too large the motor may accelerate from standstill when the drive is enabled. If the value of this parameter is too small the drive will detect the motor speed as zero even if the motor is spinning.

13.21.9 Position modes

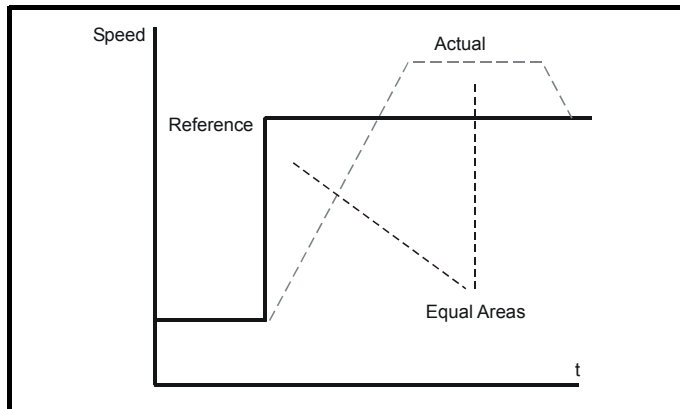
13.10		Position controller mode																
RW	Uni															US		
OL	CL	↕	0 to 2										⇒	0				
			0 to 6															

This parameter is used to set the position controller mode as shown in the table below.

Parameter value	Mode	Feed forward active
0	Position controller disabled	
1	Rigid position control	✓
2	Rigid position control	
3	Non-rigid position control	✓
4	Non-rigid position control	
5	Orientation on stop	
6	Orientation on stop and when drive enabled	

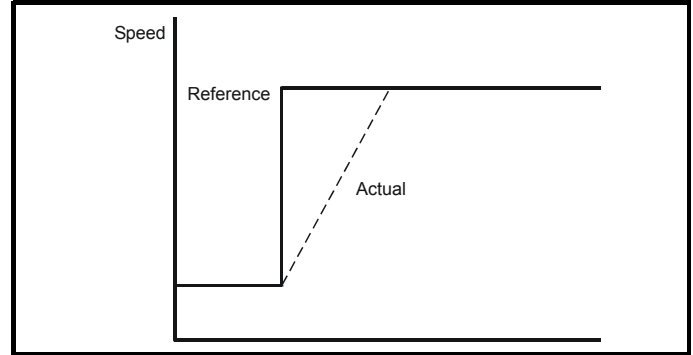
Rigid position control

In rigid position control the position error is always accumulated. This means that, if for example, the slave shaft is slowed down due to excessive load, the target position will eventually be recovered by running at a higher speed when the load is removed.



Non-rigid position control

In non-rigid position control the position loop is only active when the 'At Speed' condition is met (see Pr 3.06). This allows slippage to occur while the speed error is high.



Velocity feed forward

The position controller can generate a velocity feed forwards value from the speed of the reference encoder. The feed-forwards value is passed to menu, and so ramps may be included if required. Because the position controller only has a proportional gain, it is necessary to use velocity feed-forwards to prevent a constant position error that would be proportional to the speed of the reference position.

If for any reason the user wishes to provide the velocity feed forward from a source other than the reference position, the feed forward system can be made inactive, i.e. Pr 13.10 = 2 or 4. The external feed forward can be provided via Menu 1 from any of the frequency/speed references. However, if the feed forward level is not correct a constant position error will exist.

Relative jogging

If relative jogging is enabled the feedback position can be made to move relative the reference position at the speed defined by Pr 13.17.

Orientation

If Pr 13.10 is 5 the drive orientates the motor following a stop command. If hold zero speed is enabled (Pr 6.08 = 1) the drive remains in position control when orientation is complete and hold the orientation position. If hold zero speed is not enabled the drive is disabled when orientation is complete.

If Pr 13.10 is 6 the drive orientates the motor following a stop command and whenever the drive is enabled provided that hold zero speed is enabled (Pr 6.08 = 1). This ensures that the spindle is always in the same position following the drive being enabled.

When orientating from a stop command the drive goes through the following sequence:

1. The motor is decelerated or accelerated to the speed limit programmed in Pr 13.12, using ramps if these are enabled, in the direction the motor was previously running.
2. When the ramp output reaches the speed set in Pr 13.12, ramps are disabled and the motor continues to rotate until the position is found to be close to the target position (i.e. within 1/32 of a revolution). At this point the speed demand is set to 0 and the position loop is closed.
3. When the position is within the window defined by Pr 13.14, the orientation complete indication is given in Pr 13.15.

The stop mode selected by Pr 6.01 has no effect if orientation is enabled.


13.21.10 Fast Disable

Software V01.10.00 and later

6.29		Hardware enable																
RO	Bit														NC	PT		
⇅	OFF (0) or On (1)														⇒			

This bit is a duplicate of Pr **8.09** and reflects the state of the enable input. With software V01.10.00 and later, if the destination of one of the drive digital I/O (Pr **8.21** to Pr **8.26**) is set to Pr **6.29** and the I/O is set as an input, the state of the input does not affect the value of this parameter as it is protected, however, it does provide a fast disable function.

The SAFE TORQUE OFF (SECURE DISABLE) input to the drive (T31) disables the drive in hardware by removing the gate drive signals from the inverter IGBT's and also disables the drive via the software system. When the drive is disabled by de-activating the SAFE TORQUE OFF (SECURE DISABLE) input (T31) there can be a delay of up to 20ms (typically 8ms) before the drive is disabled. However, if a digital I/O is set up to provide the fast disable function it is possible to disable the drive within 600µs of de-activating the input. To do this an enable signal should be given to both the SAFE TORQUE OFF (SECURE DISABLE) input (T31) and to the digital I/O selected for the fast disable function. The state of the digital I/O including the effect of its associated invert parameter is ANDed with the SAFE TORQUE OFF (SECURE DISABLE) (T31) to enable the drive

 WARNING	<p>If the safety function of the SAFE TORQUE OFF (SECURE DISABLE) input is required then there must not be a direct connection between the SAFE TORQUE OFF (SECURE DISABLE) input (T31) and any other digital I/O on the drive. If the safety function of the SAFE TORQUE OFF (SECURE DISABLE) input and the fast disable function is required then the drive should be given two separate independent enable signals. A safety related enable from a safe source connected to the SAFE TORQUE OFF (SECURE DISABLE) input on the drive. A second enable connected to the digital I/O on the drive selected for the fast disable function. The circuit must be arranged so that a fault which causes the fast input to be forced high cannot cause the SAFE TORQUE OFF (SECURE DISABLE) input to be forced high, including the case where a component such as a blocking diode has failed.</p>
--	---

14 Technical Data

14.1 Drive

14.1.1 Power and current ratings (Derating for switching frequency and temperature)

For a full explanation of 'Normal Duty' and 'Heavy Duty' refer to section 3.1 *Ratings* on page 12.

Table 14-1 Maximum permissible continuous output current @ 40°C (104°F) ambient (SPMD drives in docked condition)

Model	Normal Duty					Heavy Duty				
	Nominal rating		Maximum permissible continuous output current (A) for the following switching frequencies			Nominal rating		Maximum permissible continuous output current (A) for the following switching frequencies		
	kW	hp	3kHz	4kHz	6kHz	kW	hp	3kHz	4kHz	6kHz
SPMA14X1	110	150	205		164	90	150	180	174	135
SPMA14X2	132	200	236	210	158	110	150	210	175	130
SPMA16X1	110	125	125	100	74	90	100	100	100	74
SPMA16X2	132	150	144	100	74	110	125	125	100	74
SPMD12X1	55	75	192	187	143	45	60	156	150	110
SPMD12X2	75	100	248	225	172	55	75	192	175	128
SPMD12X3	90	125	312	264	202	75	100	250	206	151
SPMD12X4	90	125	335	305	233	90	125	290	241	177
SPMD14X1	110	150	205	187	143	90	150	180	150	110
SPMD14X2	132	175	248	225	172	110	150	210	175	128
SPMD14X3	160	200	290	264	202	132	175	248	206	151
SPMD14X4	185	300	335	305	233	160	200	290	241	177
SPMD16X1	110	125	125	103	74	90	100	100	90	65
SPMD16X2	132	150	140	118	89	110	125	125	112	84
SPMD16X3	160	150	158	133	100	132	150	142	119	89
SPMD16X4	160	200	165	140	106	150	150	160	135	102

Table 14-2 Maximum permissible continuous output current @ 40°C (104°F) ambient (SPMD drives in undocked condition)

Model	Normal Duty					Heavy Duty				
	Nominal rating		Maximum permissible continuous output current (A) for the following switching frequencies			Nominal rating		Maximum permissible continuous output current (A) for the following switching frequencies		
	kW	hp	3kHz	4kHz	6kHz	kW	hp	3kHz	4kHz	6kHz
SPMD12X1	55	75	192	187	143	45	60	156	150	110
SPMD12X2	75	100	248	225	172	55	75	192	175	128
SPMD12X3	90	125	312	264	202	75	100	250	206	151
SPMD12X4	110	150	350*	312	240	90	125	290	255	190
SPMD14X1	110	150	205	187	143	90	150	180	150	110
SPMD14X2	132	175	248	225	172	110	150	210	175	128
SPMD14X3	160	200	290	264	202	132	175	248	206	151
SPMD14X4	200	300	350*	312	240	160	200	290	255	190
SPMD16X1	110	125	125	109	79	90	100	100	95	68
SPMD16X2	132	150	144	128	96	110	125	125	119	89
SPMD16X3	160	150	168	142	107	132	150	144	126	99
SPMD16X4	160	200	192	158	119	150	150	168	144	102

* Rating at 35°C.

NOTE

For the definition of ambient temperature, see section 5.8.2 *Enclosure ambient temperature* on page 51.

NOTE

An additional derating of 5% is required for parallel applications.

Table 14-3 Maximum permissible continuous output current @ 50°C (122°F) ambient (SPMD drives in docked condition)

Model	Normal Duty			Heavy Duty		
	Maximum permissible continuous output current (A) for the following switching frequencies			Maximum permissible continuous output current (A) for the following switching frequencies		
	3kHz	4kHz	6kHz	3kHz	4kHz	6kHz
SPMA14X1	191	190	148	180	158	122
SPMA14X2	198	181	138	190	158	116
SPMA16X1	98	81	59	98	81	59
SPMA16X2	98	81	59	98	81	59
SPMD12X1	172	157	120	156	135	100
SPMD12X2	208	189	145	190	158	116
SPMD12X3	244	222	170	224	186	137
SPMD12X4	282	256	196	262	218	160
SPMD14X1	172	157	120	163	135	100
SPMD14X2	208	189	145	190	158	116
SPMD14X3	244	222	170	224	186	137
SPMD14X4	282	256	196	262	218	160
SPMD16X1	114	93	67	100	82	59
SPMD16X2	122	102	75	121	101	75
SPMD16X3	138	117	86	129	108	80
SPMD16X4	138	117	85	137	110	77

Table 14-4 Maximum permissible continuous output current @ 50°C (122°F) ambient (SPMD drives in undocked condition)

Model	Normal Duty			Heavy Duty		
	Maximum permissible continuous output current (A) for the following switching frequencies			Maximum permissible continuous output current (A) for the following switching frequencies		
	3kHz	4kHz	6kHz	3kHz	4kHz	6kHz
SPMD12X1	172	157	120	156	135	100
SPMD12X2	208	189	145	190	158	116
SPMD12X3	244	222	170	224	186	137
SPMD12X4	305	265	200	270	230	170
SPMD14X1	172	157	120	163	135	100
SPMD14X2	208	189	145	190	158	116
SPMD14X3	244	222	170	224	186	137
SPMD14X4	305	265	200	270	230	170
SPMD16X1	121	99	71	100	86	62
SPMD16X2	135	114	85	125	108	81
SPMD16X3	154	127	95	137	115	86
SPMD16X4	157	133	100	155	129	97

NOTE

For the definition of ambient temperature, see section 5.8.2 *Enclosure ambient temperature* on page 51.

NOTE

An additional derating of 5% is required for parallel applications.

Table 14-5 Unidrive SPMC/U maximum permissible ratings

Model	35°C (95°F) ambient temperature		40°C (104°F) ambient temperature		50°C (122°F) ambient temperature	
	Maximum AC input current A	Maximum DC output current A	Maximum AC input current A	Maximum DC output current A	Maximum AC input current A	Maximum DC output current A
SPMC/U1402	358	394	344	379	302	333
SPMC/U2402	2 x 325	2 x 359	2 x 312	2 x 345	2 x 278	2 x 307
SPMC/U1601	203	218	195	209	169	181
SPMC/U2601	2 x 180	2 x 192	2 x 173	2 x 185	2 x 152	2 x 163

14.1.2 Power dissipation

Table 14-6 Losses @ 40°C (104°F) ambient (SPMD drives in docked condition)

Model	Drive losses (W) taking into consideration any current derating for the given conditions									
	Normal Duty					Heavy Duty				
	Nominal rating		3kHz	4kHz	6kHz	Nominal rating		3kHz	4kHz	6kHz
	kW	hp				kW	hp			
SPMA14X1	110	150	2058	2259	2153	90	150	1817	1935	1772
SPMA14X2	132	200	2477	2455	2255	110	150	2192	2042	1888
SPMA16X1	110	125	2573	2512	2438	90	100	2573	2512	2438
SPMA16X2	132	150	3106	2512	2438	110	125	3106	2512	2438
SPMD12X1	55	75	2020	2210	2580	45	60	1630	1790	2110
SPMD12X2	75	100	1920	2180	2700	55	75	1510	1720	2150
SPMD12X3	90	125	3410	3700	3340	75	100	2670	2930	2910
SPMD12X4	90	125	3730	3540	3240	90	125	3020	3060	2820
SPMD14X1	110	150	2380	2650	2790	90	150	2070	2310	2370
SPMD14X2	132	175	2930	3290	3440	110	150	2490	2800	3120
SPMD14X3	160	200	3500	3650	3410	132	175	2930	3290	3120
SPMD14X4	185	300	3690	3520	3360	160	200	3380	3220	3040
SPMD16X1	110	125	2740	3040	2950	90	100	2160	2550	2680
SPMD16X2	132	150	3110	3040	2950	110	125	2740	2970	2700
SPMD16X3	160	150	3290	3180	2860	132	150	2840	2820	2540
SPMD16X4	160	200	3300	3160	2880	150	150	3060	2820	2540

NOTE

Loss figures for the SPMD docked drives represent losses for the IGBT, rectifier and control master pod at the maximum current given.

Table 14-7 Losses @ 40°C (104°F) ambient (SPMD drives in undocked condition)

Model	Drive losses (W) taking into consideration any current derating for the given conditions									
	Normal Duty					Heavy Duty				
	Nominal rating		3kHz	4kHz	6kHz	Nominal rating		3kHz	4kHz	6kHz
	kW	hp				kW	hp			
SPMD12X1	55	75	1490	1680	2050	45	60	1220	1380	1700
SPMD12X2	75	100	1920	2180	2700	55	75	1510	1720	2150
SPMD12X3	90	125	2420	2730	2820	75	100	1940	2200	2450
SPMD12X4	110	150	2730	2890	2810	90	125	2250	2500	2440
SPMD14X1	110	150	1800	2060	2420	90	150	1580	1820	2060
SPMD14X2	132	175	2210	2570	3110	110	150	1900	2210	2760
SPMD14X3	160	200	2600	3020	3110	132	175	2210	2570	2760
SPMD14X4	185	300	3080	3090	3100	160	200	2600	2760	2760
SPMD16X1	110	125	2420	2900	2990	90	100	1920	2310	2660
SPMD16X2	132	150	2820	2980	2990	110	125	2420	2870	2680
SPMD16X3	160	150	2470	2340	2210	132	150	2150	2040	1940
SPMD16X4	160	200	3110	3030	2830	150	150	2830	2670	2480

NOTE

Loss figures for the SPMD undocked drives represent losses for the IGBT and control master pod at the maximum current given.

NOTE

For the definition of ambient temperature, see section 5.8.2 *Enclosure ambient temperature* on page 51.

Table 14-8 Losses @ 50°C (122°F) ambient (SPMD drives in docked condition)

Model	Drive losses (W) taking into consideration any current derating for the given conditions					
	Normal Duty			Heavy Duty		
	3kHz	4kHz	6kHz	3kHz	4kHz	6kHz
SPMA14X1	1942	2118	1939	1817	1747	1610
SPMA14X2	2068	2108	1997	1979	1851	1715
SPMA16X1	2084	2036	1978	2084	2036	1978
SPMA16X2	2084	2036	1978	2084	2036	1978
SPMD12X1	2020	2210	2580	1630	1790	2110
SPMD12X2	2650	2910	2960	2030	2240	2630
SPMD12X3	3320	3170	3960	2670	2870	2630
SPMD12X4	3190	3060	2860	2940	2760	2560
SPMD14X1	2380	2650	2520	2070	2260	2150
SPMD14X2	2930	3000	2810	2490	2800	2800
SPMD14X3	3150	3010	2810	2930	2980	2810
SPMD14X4	3050	2920	2760	3030	2850	2720
SPMD16X1	2670	2610	2530	2160	2550	2430
SPMD16X2	2670	2600	2520	2670	2610	2420
SPMD16X3	2720	2650	2530	2710	2530	2310
SPMD16X4	2720	2650	2500	2710	2510	2280

NOTE

Loss figures for the SPMD docked drives represent losses for the IGBT, rectifier and control master pod at the maximum current given.

Table 14-9 Losses @ 50°C (122°F) ambient (SPMD drives in undocked condition)

Model	Drive losses (W) taking into consideration any current derating for the given conditions					
	Normal Duty			Heavy Duty		
	3kHz	4kHz	6kHz	3kHz	4kHz	6kHz
SPMD12X1	1490	1680	2050	1220	1380	1700
SPMD12X2	1920	2180	2570	1510	1720	2150
SPMD12X3	2420	2630	2550	1940	2200	2240
SPMD12X4	2670	2620	2530	2250	2270	2230
SPMD14X1	1800	2060	2210	1580	1820	1880
SPMD14X2	2210	2570	2700	1900	2210	2520
SPMD14X3	2600	2700	2700	2210	2520	2520
SPMD14X4	2700	2680	2700	2520	2510	2510
SPMD16X1	2420	2640	2630	1920	2310	2410
SPMD16X2	2640	2630	2640	2420	2600	2430
SPMD16X3	2700	2700	2530	2460	2420	2250
SPMD16X4	2700	2700	2550	2550	2420	2250

NOTE

Loss figures for the SPMD undocked drives represent losses for the IGBT and control master pod at the maximum current given.

Table 14-10 Unidrive SPMC/U losses @ 40/50°C (104/122°F) ambient

Model	Maximum Losses W
SPMU1401	442
SPMU1402	765
SPMU2402	1524
SPMC1401	525
SPMC1402	871
SPMC2402	1737
SPMU1601	481
SPMU2601	956
SPMC1601	503
SPMC2601	1001

Table 14-11 Power losses from the front of the drive when through-panel mounted

Model	Power losses W
SPMA	≤480
SPMD	≤300
SPMC/U	≤50

Table 14-12 Input line reactor losses @ 40/50°C (104/122°F) ambient

Part number	Model	Maximum Losses
		W
4401-0181	INL401	148
4401-0182	INL402	205
4401-0183	INL601	88
4401-0184	INL602	116
4401-0206	INL411	252
4401-0207	INL412	270
4401-0190	INL611	241
4401-0191	INL612	269

Table 14-13 Output sharing choke losses @ 40/50°C (104/122°F) ambient

Part number	Model	Maximum Losses
		W
4401-0197	OTL401	113
4401-0198	OTL402	145
4401-0199	OTL403	122
4401-0200	OTL404	156
4401-0201	OTL601	63
4401-0202	OTL602	74
4401-0203	OTL603	61
4401-0204	OTL604	70
4401-0188	OTL411	71
4401-0189	OTL412	85
4401-0192	OTL413	83
4401-0186	OTL414	100
4401-0193	OTL611	74
4401-0194	OTL612	85
4401-0195	OTL613	88
4401-0196	OTL614	100

14.1.3 Supply requirements

Voltage:

- SPMXX20X 200V to 240V ±10%
- SPMXX40X 380V to 480V ±10%
- SPMXX60X 500V to 690V ±10%

Number of phases: 3

Maximum supply imbalance: 2% negative phase sequence (equivalent to 3% voltage imbalance between phases).

Frequency range: 48 to 65 Hz

For UL compliance only, the maximum supply symmetrical fault current must be limited to 100kA

Unidrive SPMA/D heatsink fan supply requirements

- Nominal voltage: 24V
- Minimum voltage: 23.5V
- Maximum voltage: 27V
- Current drawn:
 - SPMA (all) 3.3A
 - SPMD12X1 to 12X4 3.3A
 - SPMD14X1 and 14X2 3.3A
 - SPMD14X3 and 14X4 4.5A
 - SPMD16X1 and 16X2 3.3A
 - SPMD16X3 and 16X4 4.5A
- Recommended power supply: 24V, 5A
- Recommended fuse:
 - SPMA (all) 4A fast blow (I²t <20A²s)
 - SPMD12X1 to 12X4 4A fast blow (I²t <20A²s)
 - SPMD14X1 and 14X2 4A fast blow (I²t <20A²s)
 - SPMD14X3 and 14X4 6.3A fast blow (I²t <100A²s)

- SPMD16X1 and 16X2 4A fast blow (I²t <20A²s)
 - SPMD16X3 and 16X4 6.3A fast blow (I²t <100A²s)
- ### Unidrive SPMC/U external 24V supply requirements
- Nominal voltage: 24V
 - Minimum voltage: 23V
 - Maximum voltage: 28V
 - Current drawn: 3A
 - Minimum start-up voltage: 18V
 - Recommended power supply: 24V, 100W, 4.5A
 - Recommended fuse: 4A fast blow (I²t <20A²s)

NOTE

If the Unidrive SPM 24V power supply (CT part number 8510-0000) is used to supply the Unidrive SPMA/D or SPMC/U fusing is not required.

14.1.4 Unidrive SPM 24V power supply

- CT part number: 8510-0000
- Current rating: 10A
- Input voltage: 85 to 123 / 176 to 264Vac auto switching
- Cable size: 0.5mm² (20AWG)
- Fuse: 5A slow-blow from supply

14.1.5 Additional line reactors

Reactor current ratings

See section 6.2.3 *Supplies requiring additional line reactance* on page 68.

The current rating of the line reactors should be as follows:

Continuous current rating:

Not less than the continuous input current rating of the drive

Repetitive peak current rating:

Not less than twice the continuous input current rating of the drive

14.1.6 Motor requirements

- No. of phases: 3
- Maximum voltage:
 - Unidrive SPM (200V): 240V
 - Unidrive SPM (400V): 480V
 - Unidrive SPM (690V): 690V

14.1.7 Temperature, humidity and cooling method

Ambient temperature operating range:

- 0°C to 50°C (32°F to 122°F).
- Output current derating must be applied at ambient temperatures >40°C (104°F).

Minimum temperature at power-up:

- 15°C (5°F), the supply must be cycled when the drive has warmed up to 0°C (32°F).

Cooling method: Forced convection

Maximum humidity: 95% non-condensing at 40°C (104°F)

14.1.8 Storage

- 40°C (-40°F) to +50°C (122°F) for long term storage, or to +70°C (158°F) for short term storage.

14.1.9 Altitude

Altitude range: 0 to 3,000m (9,900 ft), subject to the following conditions:

- 1,000m to 3,000m (3,300 ft to 9,900 ft) above sea level: de-rate the maximum output current from the specified figure by 1% per 100m (330 ft) above 1,000m (3,300 ft)

For example at 3,000m (9,900ft) the output current of the drive would have to be de-rated by 20%.

14.1.10 IP Rating (Ingress Protection)

The Unidrive SPM is rated to IP20 pollution degree 2 (dry, non-conductive contamination only) (NEMA 1). However, it is possible to configure the drive to achieve IP54 rating (NEMA 12) at the rear of the heatsink for through-panel mounting (some current derating is required, and the fan requires changing on SPMC/U).

The IP rating of a product is a measure of protection against ingress and contact to foreign bodies and water. It is stated as IP XX, where the two digits (XX) indicate the degree of protection provided as shown in Table 14-14.

Table 14-14 IP Rating degrees of protection

First digit	Second digit
Protection against contact and ingress of foreign bodies	Protection against ingress of water
0 No protection	0 No protection
1 Protection against large foreign bodies $\phi > 50\text{mm}$ (large area contact with the hand)	1 Protection against vertically falling drops of water
2 Protection against medium size foreign bodies $\phi > 12\text{mm}$ (finger)	2 Protection against spraywater (up to 15° from the vertical)
3 Protection against small foreign bodies $\phi > 2.5\text{mm}$ (tools, wires)	3 Protection against spraywater (up to 60° from the vertical)
4 Protection against granular foreign bodies $\phi > 1\text{mm}$ (tools, wires)	4 Protection against splashwater (from all directions)
5 Protection against dust deposit, complete protection against accidental contact.	5 Protection against heavy splash water (from all directions, at high pressure)
6 Protection against dust ingress, complete protection against accidental contact.	6 Protection against deckwater (e.g. in heavy seas)
7 -	7 Protection against immersion
8 -	8 Protection against submersion

Table 14-15 NEMA enclosure ratings

NEMA rating	Description
Type 1	Enclosures are intended for indoor use, primarily to provide a degree of protection against contact with the enclosed equipment or locations where unusual service conditions do not exist.
Type 12	Enclosures are intended for indoor use, primarily to provide a degree of protection against dust, falling dirt and dripping non-corrosive liquids.

14.1.11 Corrosive gases

Concentrations of corrosive gases must not exceed the levels given in:

- Table A2 of EN 50178
- Class 3C2 of IEC 60721-3-3

This corresponds to the levels typical of urban areas with industrial activities and/or heavy traffic, but not in the immediate neighborhood of industrial sources with chemical emissions.

14.1.12 Vibration

Bump Test

Testing in each of three mutually perpendicular axes in turn.

Referenced standard: IEC 60068-2-29: Test Eb:

Severity: 10g, 6ms, half sine

No. of Bumps: 600 (100 in each direction of each axis)

Random Vibration Test

Testing in each of three mutually perpendicular axes in turn.

Referenced standard: IEC 60068-2-64: Test Fh:

Severity: 1.0 m²/s³ (0.01 g²/Hz) ASD from 5 - 20 Hz
-3 dB/octave from 20 to 200 Hz

Duration: 30 minutes in each of 3 mutually perpendicular axes.

Sinusoidal Vibration Test

Testing in each of three mutually perpendicular axes in turn.

Referenced standard: IEC 60068-2-6: Test Fc:

Frequency range: 2 - 500 Hz

Severity: 3.5 mm peak displacement from 2 to 9 Hz
10 m/s² peak acceleration from 9 to 200 Hz
15 m/s² peak acceleration from 200 to 500 Hz

Sweep rate: 1 octave/minute

Duration: 15 minutes in each of 3 mutually perpendicular axes.

14.1.13 Starts per hour

By electronic control: unlimited

By interrupting the AC supply: ≤20 (equally spaced)

14.1.14 Start up time

This is the time taken from the moment of applying power to the drive, to the drive being ready to run the motor:

All sizes: 4s

14.1.15 Output frequency / speed range

Open-loop frequency range: 0 to 3,000Hz

Closed-loop speed range: 0 to 40,000rpm

Closed-loop frequency range: 0 to 1,250Hz (Limit to 600Hz for good performance)

14.1.16 Accuracy and resolution

Speed:

The absolute frequency and speed accuracy depends on the accuracy of the crystal used with the drive microprocessor. The accuracy of the crystal is 100ppm, and so the absolute frequency/speed accuracy is 100ppm (0.01%) of the reference, when a preset speed is used. If an analog input is used the absolute accuracy is further limited by the absolute accuracy of the analog input.

The following data applies to the drive only; it does not include the performance of the source of the control signals.

Open loop resolution:

Preset frequency reference: 0.1Hz

Precision frequency reference: 0.001Hz

Closed loop resolution

Preset speed reference: 0.1rpm

Precision speed reference: 0.001rpm

Analog input 1: 16bit plus sign

Analog input 2: 10bit plus sign

Current:

The resolution of the current feedback is 10bit plus sign. The typical accuracy of the current feedback is 5%.

14.1.17 Acoustic noise

The heatsink fan generates the majority of the acoustic noise produced by the drive. The heatsink fan on Unidrive SPMA and SPMD is a variable speed fan. The drive controls the speed at which the fan runs based on the temperature of the heatsink and the drive's thermal model system. The Unidrive SPMA and SPMD are also installed with variable speed fan to ventilate the capacitor bank.

Table 14-16 gives the acoustic noise produced by the drive for the heatsink fan running at the maximum and minimum speeds.

Table 14-16 Acoustic noise

Size	Maximum pressure level at 1m (dBA)	
	Max speed	Min speed
SPMA		
SPMD12X1 to 12X4 SPMD14X1 to 14X2 SPMD16X1 to 16X2	72	43
SPMD14X3 to 14X4 SPMD16X3 to 16X4	75	
SPMC/U	53	

14.1.18 Overall dimensions

- H Height including surface mounting brackets
- W Width
- D Projection forward of panel when surface mounted
- F Projection forward of panel when through-panel mounted
- R Projection rear of panel when through-panel mounted

Table 14-17 Overall drive dimensions

Size	Dimension				
	H	W	D	F	R
SPMA	1169mm (46.016in)	310mm (12.205in)	298mm (11.732in)	200mm (7.874in)	≤98mm (3.858in)
SPMD	795.5mm 31.319in			202mm (7.953in)	≤95mm (3.740in)
SPMC/U	399.1mm 15.731in				

14.1.19 Weights

Table 14-18 Overall drive weights

Size	kg	lb
SPMA	80	176.4
SPMD	42	92.6
SPMC/U	20	44

14.1.20 Input current, fuse and cable size ratings

The input current is affected by the supply voltage and impedance.

Typical input current

The values of typical input current are given to aid calculations for power flow and power loss.

The values of typical input current are stated for a balanced supply.

Maximum continuous input current

The values of maximum continuous input current are given to aid the selection of cables and fuses. These values are stated for the worst case condition with the unusual combination of stiff supply with bad balance. The value stated for the maximum continuous input current would only be seen in one of the input phases. The current in the other two phases would be significantly lower.

The values of maximum input current are stated for a supply with a 2% negative phase-sequence imbalance and rated at the maximum supply fault current given in Table 14-19.

Table 14-19 Supply fault current used to calculate maximum input currents

Model	Symmetrical fault level (kA)
SPMA	100
SPMD	
SPMC/U	



Fuse protection must be provided at the power input.

Table 14-20 Unidrive SPMA input current, fuse and cable size ratings

Model	Typical input current A	Maximum input current A	Fuse option 1 IEC class gR <u>OR</u> Ferraz HSJ		Fuse option 2 HRC <u>AND</u> Semi-conductor		Typical cable size				
			IEC class gR A	North America: Ferraz HSJ A	HRC IEC class gG UL class J A	Semi-conductor IEC class aR A	AC input		Motor output		Cable installation method
							mm ²	AWG	mm ²	AWG	
SPMA14X1	224	241	315	300	250	315	2 x 70	2 x 2/0	2 x 70	2 x 2/0	B2
SPMA14X2	247	266	315	300	315	350	2 x 120	2 x 4/0	2 x 120	2 x 4/0	B2
SPMA16X1	128	138	200	200	200	200	2 x 50	2 x 1	2 x 50	2 x 1	B2
SPMA16X2	144	156	200	200	200	200	2 x 50	2 x 1	2 x 50	2 x 1	B2

Table 14-21 Unidrive SPMD input current, fuse and cable size ratings

Model	Typical DC input current A	Maximum DC input current A	Maximum DC input voltage for cable rating V	DC fuse IEC class aR A	Typical cable size				
					DC input		Motor output		Cable installation method
					mm ²	AWG	mm ²	AWG	
SPMD12X1	202	343	400	400	2 x 70	2 x 2/0	2 x 70	2 x 2/0	B2
SPMD12X2	261	400	400	560	2 x 95	2 x 4/0	2 x 120	2 x 4/0	B2
SPMD12X3	338	457	400	560	2 x 120	2 x 4/0	2 x 120	2 x 4/0	B2
SPMD12X4	372	552	400	560	2 x 120	2 x 4/0	2 x 120	2 x 4/0	B1 or C
SPMD14X1	222	343	800	400	2 x 70	2 x 2/0	2 x 70	2 x 2/0	B2
SPMD14X2	268	400	800	560	2 x 95	2 x 4/0	2 x 120	2 x 4/0	B2
SPMD14X3	314	457	800	560	2 x 120	2 x 4/0	2 x 120	2 x 4/0	B2
SPMD14X4	379	552	800	560	2 x 120	2 x 4/0	2 x 120	2 x 4/0	B1 or C
SPMD16X1	135	191	1150	250	2 x 95	2 x 4/0	2 x 50	2 x 1	B2
SPMD16X2	157	240	1150	315	2 x 120	2 x 4/0	2 x 50	2 x 1	B2
SPMD16X3	184	275	1150	350	2 x 120	2 x 4/0	2 x 50	2 x 1	B2
SPMD16X4	209	323	1150	400	2 x 120	2 x 4/0	2 x 50	2 x 1	B2

NOTE

Fuse ratings are for a DC supply or paralleled DC bus arrangements. When supplied by a single SPMC or SPMU of the correct rating, the AC input fuses provide protection for the drive and no DC fuse is required.

Table 14-22 Unidrive SPMC/U 400V input current, fuse and cable size rating

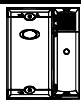
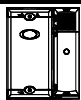
Model	Maximum input current A	Typical DC output current A	Semiconductor fuse in series with HRC fuse		Typical cable size					
			HRC IEC Class gG UL class J A	Semi-conductor IEC class aR A	AC input		DC output cable		Cable installation method	
					mm ²	AWG	mm ²	AWG		
	SPMC/U1402	344	379	450	400	2 x 120	2 x 4/0	2 x 120	2 x 4/0	B1 or C
	SPMC/U2402	2 x 312	2 x 345	450	400	2 x 120	2 x 4/0	2 x 120	2 x 4/0	B1 or C

Table 14-23 Unidrive SPMC/U 690V input current, fuse and cable size ratings

Model	Maximum input current A	Typical DC output current A	Semiconductor fuse in series with HRC fuse		Typical cable size					
			HRC IEC Class gG UL class J A	Semi-conductor IEC class aR A	AC input		DC output cable		Cable installation method	
					mm ²	AWG	mm ²	AWG		
	SPMC/U1601	195	209	250	250	2 x 70	2 x 2/0	2 x 120	2 x 4/0	B2
	SPMC/U2602	2 x 173	2 x 185	250	250	2 x 70	2 x 2/0	2 x 120	2 x 4/0	B2

NOTE

The cable sizes noted in Table 14-20, Table 14-21, Table 14-22 and Table 14-23 are typical cable sizes based on UL508C and IEC60364-5-52:2001. Maximum cable sizes are 2 x 240mm² or 2 x 400kcmil per pole. The user will have to decide what size of cable to use in any given application based on the local wiring regulations. Use of high temperature cables that are thinner than those stated in the typical cable chart maybe possible, contact the supplier of the drive for advice.

14.1.21 Line reactor ratings

Table 14-24 400V input line reactor ratings

Model	Current A	Inductance μH	Overall width (W) mm	Overall depth (D) mm	Overall height (H) mm	Weight kg	Max ambient temp °C	Min airflow m/s	Quantity required	Part No
INL 401	245	63	240	190	225	32	50	1	1	4401-0181
INL 402	339	44	276	200	225	36	50	1	1	4401-0182
INL 401W*	245	63	255	235	200	27	40	3	1	4401-0208
INL 402W*	339	44	255	235	200	27	40	3	1	4401-0209

*May represent a more economic solution where operating temperature and cooling requirements are observed.

Table 14-25 400V dual input line reactor ratings

Model	Current A	Inductance μH	Overall width (W) mm	Overall depth (D) mm	Overall height (H) mm	Weight kg	Max ambient temp °C	Min airflow m/s	Quantity required	Part No.
INL411	2 x 245	2 x 31.5	320	220	360	55	50	1	1	4401-0206
INL412	2 x 339	2 x 22	320	220	360	55	50	1	1	4401-0207

Table 14-26 690V input line reactor ratings

Model	Current A	Inductance μH	Overall width (W) mm	Overall depth (D) mm	Overall height (H) mm	Weight kg	Max ambient temp °C	Min airflow m/s	Quantity required	Part No.
INL 601	145	178	240	190	225	33	50	1	1	4401-0183
INL 602	192	133	276	200	225	36	50	1	1	4401-0184

Table 14-27 690V dual input line reactor ratings

Model	Current A	Inductance μH	Overall width (W) mm	Overall depth (D) mm	Overall height (H) mm	Weight kg	Max ambient temp °C	Min airflow m/s	Quantity required	Part No.
INL 611	2 x 145	2 x 89	320	220	360	40	50	1	1	4401-0190
INL 612	2 x 192	2 x 66.5	320	220	360	55	50	1	1	4401-0191

NOTE

The INLX1X parallel line reactors have been designed to work in conjunction with the Unidrive SPMC/U, allowing one reactor to be used with the dual rectifier model or two separate rectifier units.

14.1.22 Output sharing choke ratings

Table 14-28 400V output sharing choke ratings

Model	Current A	Inductance μH	Width (W) mm	Depth (D) mm	Height (H) mm	Weight kg	Max ambient temp °C	Min airflow m/s	Required SPM module	Part No.
OTL401	221	40.1	240	220	210	20	50	1	SPMA/D 14X1	4401-0197
OTL402	267	34	242	220	205	20	50	1	SPMA/D 14X2	4401-0198
OTL403	313	28.5	242	220	205	25	50	1	SPMD 14X3	4401-0199
OTL404	378	23.9	242	220	205	25	50	1	SPMD 14X4	4401-0200

Table 14-29 600V output sharing choke ratings

Model	Current A	Inductance μH	Width (W) mm	Depth (D) mm	Height (H) mm	Weight kg	Max ambient temp °C	Min airflow m/s	Required SPM module	Part No.
OTL601	135	103.9	242	170	203	20	50	1	SPMA/D 16X1	4401-0201
OTL602	156	81.8	242	170	203	20	50	1	SPMA/D 16X2	4401-0202
OTL603	181	70.1	242	200	203	20	50	1	SPMD 16X3	4401-0203
OTL604	207	59.2	242	200	203	20	50	1	SPMD 16X4	4401-0204

Dual output sharing chokes



The OTLX1X parallel output sharing chokes can only be used when two Unidrive SPM drives are paralleled together. For all other combinations the OTLX0X output sharing choke must be used.

Table 14-30 400V dual output sharing choke ratings

Model	Current A	Inductance μH	Width (W) mm	Depth (D) mm	Height (H) mm	Weight kg	Max ambient temp °C	Min airflow m/s	Part No.
OTL411	390	42.8	300	150	160	8	50	1	4401-0188
OTL412	470	36.7	300	150	160	8	50	1	4401-0189
OTL413	551	31.1	300	150	160	8	50	1	4401-0192
OTL414	665	26.6	300	150	160	9	50	1	4401-0186

Table 14-31 600V dual output sharing choke ratings

Model	Current A	Inductance μH	Width (W) mm	Depth (D) mm	Height (H) mm	Weight kg	Max ambient temp °C	Min airflow m/s	Part No.
OTL611	238	110.4	300	150	160	8	50	1	4401-0193
OTL612	274	88.4	300	150	160	8	50	1	4401-0194
OTL613	319	76.7	300	150	160	8	50	1	4401-0195
OTL614	365	65.7	300	150	160	8	50	1	4401-0196

14.1.23 Maximum motor cable lengths

Table 14-32 Maximum motor cable lengths (Unidrive SPMA)

Model	Maximum permissible motor cable length for each of the following frequencies		
	3kHz	4kHz	6kHz
SPMA14X1	250m (820ft)	185m (607ft)	125m (410ft)
SPMA14X2			
SPMA16X1			
SPMA16X2			

Table 14-33 Maximum motor cable lengths (Unidrive SPMD)

Model	Maximum permissible motor cable length for each of the following frequencies		
	3kHz	4kHz	6kHz
SPMD12X1	250m (820ft)	185m (607ft)	125m (410ft)
SPMD12X2			
SPMD12X3			
SPMD12X4			
SPMD14X1			
SPMD14X2			
SPMD14X3			
SPMD14X4			
SPMD16X1			
SPMD16X2			
SPMD16X3			
SPMD16X4			

- Cable lengths in excess of the specified values may be used only when special techniques are adopted; refer to the supplier of the drive.

- The default switching frequency is 3kHz for Open-loop and Closed-loop vector, and 6kHz for Servo.

The maximum cable length is reduced from that shown in Table 14-32 and Table 14-33 if high capacitance motor cables are used. For further information, refer to section *High-capacitance cables* on page 76.

14.1.24 Braking resistor values

Table 14-34 Minimum resistance values and peak power rating for the braking resistor at 40°C (104°F)

Model	Minimum resistance* Ω	Instantaneous power rating** kW	Average power for 60s kW
SPMA1401	5	122	122
SPMA1402	5	122	122
SPMA1601	10	125	113
SPMA1602	10	125	125
SPMD1201	2.5	61	61
SPMD1202	2.5	61	61
SPMD1203	1.9	80	80
SPMD1204	1.9	80	80
SPMD1401	5	122	122
SPMD1402	5	122	122
SPMD1403	3.8	160	160
SPMD1404	3.8	160	160
SPMD1601	10	125	113
SPMD1602	10	125	125
SPMD1603	6.2	202	165
SPMD1604	6.2	202	198

* Resistor tolerance: ±10%

** Continuous rating if drive is part of a common DC bus system. In parallel systems without the DC bus connected, the resistors must be matched to within ±5%.

14.1.25 Torque settings

Table 14-35 Master drive control and relay terminal data

Model	Connection type	Torque setting
All	Plug-in terminal block	0.5 N m 0.4 lb ft

Table 14-36 Drive power terminal data

Model	AC terminals	High current DC and braking	Ground terminal
All	M10 stud 15 N m	M10 stud 15 N m	M10 stud 15 N m
Torque tolerance			±10%

14.1.26 Electromagnetic compatibility (EMC)

This is a summary of the EMC performance of the drive. For full details, refer to the *Unidrive SP EMC Data Sheet* which can be obtained from the supplier of the drive.

Table 14-37 Immunity compliance

Standard	Type of immunity	Test specification	Application	Level
IEC61000-4-2 EN61000-4-2	Electrostatic discharge	6kV contact discharge 8kV air discharge	Module enclosure	Level 3 (industrial)
IEC61000-4-3 EN61000-4-3	Radio frequency radiated field	10V/m prior to modulation 80 - 100MHz 80% AM (1kHz) modulation	Module enclosure	Level 3 (industrial)
IEC61000-4-4 EN61000-4-4	Fast transient burst	5/50ns 2kV transient at 5kHz repetition frequency via coupling clamp	Control lines	Level 4 (industrial harsh)
		5/50ns 2kV transient at 5kHz repetition frequency by direct injection	Power lines	Level 3 (industrial)
IEC61000-4-5 EN61000-4-5	Surges	Common mode 4kV 1.2/50µs waveshape	AC supply lines: line to ground	Level 4
		Differential mode 2kV 1.2/50µs waveshape	AC supply lines: line to line	Level 3
		Lines to ground	Signal ports to ground ¹	Level 2
IEC61000-4-6 EN61000-4-6	Conducted radio frequency	10V prior to modulation 0.15 - 80MHz 80% AM (1kHz) modulation	Control and power lines	Level 3 (industrial)
IEC61000-4-11 EN61000-4-11	Voltage dips and interruptions	-30% 10ms +60% 100ms -60% 1s <-95% 5s	AC power ports	
EN50082-1 IEC61000-6-1 EN61000-6-1	Generic immunity standard for the residential, commercial and light - industrial environment			Complies
EN50082-2 IEC61000-6-2 EN61000-6-2	Generic immunity standard for the industrial environment			Complies
EN61800-3 IEC61800-3 EN61800-3	Product standard for adjustable speed power drive systems (immunity requirements)		Meets immunity requirements for first and second environments	


¹ See section *Surge immunity of control circuits - long cables and connections outside a building* on page 86 for control ports for possible requirements regarding grounding and external surge protection

Emission

The drive contains an in-built filter for basic emission control. An additional optional external filter provides further reduction of emission. The requirements of the following standards are met, depending on the motor cable length and switching frequency.

Key (shown in decreasing order of permitted emission level):

- E2R EN 61800-3 second environment, restricted distribution (Additional measures may be required to prevent interference)
- E2U EN 61800-3 second environment, unrestricted distribution
- I Industrial generic standard EN 50081-2 (EN 61000-6-4)
EN 61800-3 first environment restricted distribution (The following caution is required by EN 61800-3)

	This is a product of the restricted distribution class according to IEC 61800-3. In a residential environment this product may cause radio interference in which case the user may be required to take adequate measures.
---	---

- R Residential generic standard EN 50081-1 (EN 61000-6-3)
EN 61800-3 first environment unrestricted distribution

EN 61800-3 defines the following:

- The first environment is one that includes residential premises. It also includes establishments directly connected without intermediate transformers to a low-voltage power supply network which supplies buildings used for residential purposes.
- The second environment is one that includes all establishments other than those directly connected to a low-voltage power supply network which supplies buildings used for residential purposes.
- Restricted distribution is defined as a mode of sales distribution in which the manufacturer restricts the supply of equipment to suppliers, customers or users who separately or jointly have technical competence in the EMC requirements of the application of drives.

NOTE

Shared external filters for multiple drives

When more than one drive is used in the same enclosure, some cost saving is possible by sharing a single filter of suitable current rating between several drives. Tests have shown that combinations of drives with a single filter are able to meet the same emission standard as a single drive, provided that all filters and drives are mounted on the same metal plate. Because of the unpredictable effect of the additional wiring and the need for separate fuses for the drives on the drive side of the filter, this arrangement is not recommended where strict compliance with a specific standard is required, unless emission tests can be carried out.

Table 14-38 SPMA (400V only) emission compliance

Motor cable length (m)	Switching frequency (kHz)		
	3	4	6
Using internal filter:			
0 to 100	E2U		
100 to max*	E2R		
Using external filter:			
0 to 100	I		

* See user guide for maximum permitted length

Table 14-39 SPMA (690V only) emission compliance

Motor cable length (m)	Switching frequency (kHz)		
	3	4	6
Using internal filter:			
0 to 100	E2U		
100 to max*	E2R		
Using external filter:			
0 to 25	I		
25 to 100	I	Do not use	

* See user guide for maximum permitted length

The tables below summarise the performance of all filters when used with single pairs of SPMD drives and SPMC or SPMU rectifiers, assembled in the standard recommended configuration.

Table 14-40 SPMD (400V only) emission compliance

Motor cable length (m)	Switching frequency (kHz)		
	3	4	6
Using internal filter:			
0 to 100	E2U		
Using external filter:			
0 to 25	I		
25 to 50	I	I	-
50 to 100	I	-	-

Table 14-41 SPMD (690V only) emission compliance

Motor cable length (m)	Switching frequency (kHz)		
	3	4	6
Using internal filter:			
0 to 100	E2U	E2U	E2U
Using external filter:			
0 to 25	I	I	I
25 to 100	I	I	-

14.2 Optional external EMC filters

Table 14-42 Unidrive SPM and EMC filter cross reference

Drive	Schaffner		Epcos	
	CT part no.	Weight	CT part no.	Weight
SPMA14X1 to SPMA14X2	4200-6603	5.25 kg (11.6 lb)	4200-6601	8.6 kg (19.1 lb)
SPMA16X1 to SPMA16X2	4200-6604	5.25 kg (11.6 lb)	4200-6602	8.6 kg (19.1 lb)
SPMD12X1 to SPMD12X4	4200-6315	5.5 kg (12.11 lb)	4200-6313	8.6 kg (19.1 lb)
SPMD14X1 to SPMD14X4	4200-6315	5.5 kg (12.11 lb)	4200-6313	8.6 kg (19.1 lb)
SPMD16X1 to SPMD16X4	4200-6316	5.5 kg (12.11 lb)	4200-6314	8.5 kg (18.7 lb)

Table 14-43 EMC filters for multiple drive combinations

Combination	Epcos	
	CT part no.	Weight
2 x SPMD1401	4200-6801	22kg (48.5lb)
2 x SPMD1402		
2 x SPMD1403		
2 x SPMD1404		
4 x SPMD1401	4200-6802	28kg (61.7lb)
3 x SPMD1403		
4 x SPMD1402		
4 x SPMD1403	4200-6803	34kg (75lb)
4 x SPMD1404		

14.2.1 EMC filter ratings

Table 14-44 Optional external EMC filter details

CT part number	Manufacturer	Maximum continuous current		Voltage rating V	IP rating	Power dissipation at rated current W	Ground leakage		Discharge resistors
		@ 40°C (104°F) A	@ 50°C (122°F) A				Balanced supply phase-to-phase and phase-to-ground mA	1 phase open circuit mA	
4200-6603	Schaffner	260	237	480	00	14.2	41	219	See Note 1
4200-6604		160		690		88.5	296		
4200-6315		340		480		52	293		
4200-6316		200		690		72	406		
4200-6601	Epcos	260	195	480		13	45	220	See Note 2
4200-6602		160	120	690		5	60	310	
4200-6313		340	255	480			74	375	
4200-6314		200	150	690			79	392	
4200-6801		600	546	500		66.96	<6		
4200-6802		1000	910			99	<6		
4200-6803		1600	1456		168.96	<6			

NOTE

- 1MΩ in a Δ connection between phases, with the Δ point connected by a 680kΩ resistor to ground (i.e. line to line 2MΩ, line to ground 1.68MΩ)
- Line to line 3.6MΩ, line to ground 3.3MΩ

14.2.2 Overall EMC filter dimensions

Table 14-45 Optional external EMC filter dimensions

CT part number	Manufacturer	H	W	D
4200-6603	Schaffner	136 mm (5.354 in)	295 mm (11.614 in)	230 mm (9.055 in)
4200-6604			357 mm (14.055 in)	
4200-6315			339 mm (13.346 in)	
4200-6316				
4200-6601	Epcos	147 mm (5.787 in)	364 mm (14.330 in)	230 mm (9.055 in)
4200-6602		149 mm (5.866 in)	339 mm (13.346 in)	
4200-6313				
4200-6314		116mm (4.57in)	440±2.5 mm (17.32±0.1 in)	260 mm (10.24 in)
4200-6801		166mm (6.54in)	460±2.5 mm (18.11±0.1 in)	300 mm (11.81 in)
4200-6802			590±3 mm (23.23±0.12 in)	
4200-6803				

14.2.3 EMC filter torque settings

Table 14-46 Optional external EMC Filter terminal data

CT part number	Manufacturer	Power connections	Ground connections	
		Max torque	Ground stud size	Max torque
4200-6603	Schaffner	12 N m (8.8 lb ft)	M10	25 N m (18.4 lb ft)
4200-6604				
4200-6315				
4200-6316				
4200-6601	Epcos	10 N m (7.4 lb ft)	M10	10 N m (7.4 lb ft)
4200-6602				
4200-6313				
4200-6314			M12	15.5 N m (11.4 lb ft)
4200-6801				
4200-6802				
4200-6803				

15 Diagnostics

The display on the drive gives various information about the status of the drive. These fall into three categories:

- Trip indications
- Alarm indications
- Status indications



Users must not attempt to repair a drive if it is faulty, nor carry out fault diagnosis other than through the use of the diagnostic features described in this chapter. If a drive is faulty, it must be returned to an authorized Control Techniques distributor for repair.

15.1 Trip indications

If the drive trips, the output of the drive is disabled so that the drive stops controlling the motor. The upper display indicates that a trip has occurred and the lower display shows the trip. If this is a multi-module drive and a power module has indicated a trip, then the lower display will alternate between the trip string and the module number.

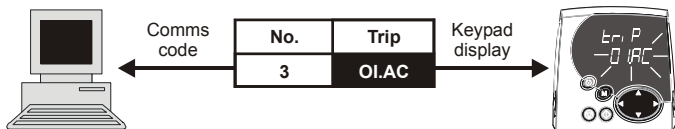
Trips are listed alphabetically in Table 15-1 based on the trip indication shown on the drive display. Refer to Figure 15-1.

If a display is not used, the drive LED Status indicator will flash if the drive has tripped. Refer to Figure 15-2.

The trip indication can be read in Pr 10.20 providing a trip number. Trip numbers are listed in numerical order in Table 15-2 so the trip indication can be cross referenced and then diagnosed using Table 15-1.

Example

1. Trip code 3 is read from Pr 10.20 via serial communications.
2. Checking Table 15-2 shows Trip 3 is an OI.AC trip.



3. Look up OI.AC in Table 15-1.
4. Perform checks detailed under *Diagnostics*.

Figure 15-1 Keypad status modes

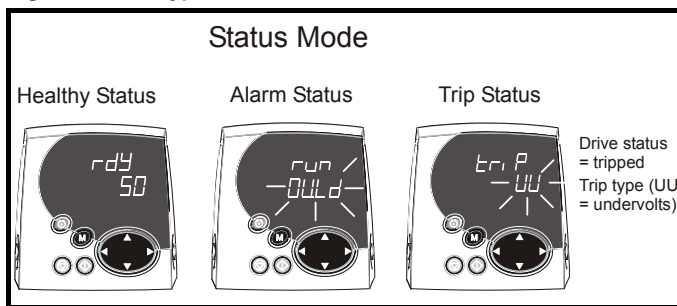
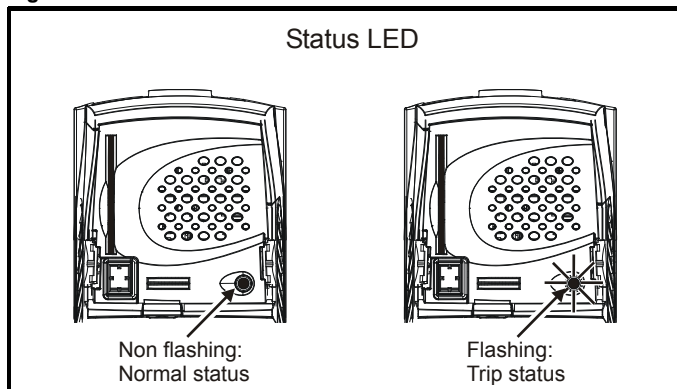


Figure 15-2 Location of the status LED



Trip	Diagnosis
OI.AC	Instantaneous output over current detected: peak output current greater than 225%
3	Acceleration / deceleration rate is too short. If seen during autotune reduce voltage boost Pr 5.15 Check for short circuit on output cabling Check integrity of motor insulation Check feedback device wiring Check feedback device mechanical coupling Check feedback signals are free from noise Is motor cable length within limits for that frame size? Reduce the values in speed loop gain parameters – Pr 3.10, Pr 3.11 and Pr 3.12 (and servo modes only) Has offset measurement test been completed? (servo mode only) Reduce the values in current loop gain parameters - Pr 4.13 and Pr 4.14 (closed loop vector and servo modes only)

Table 15-1 Trip indications

Trip	Diagnosis
br.th	Internal braking resistor thermistor temperature monitoring fail (size 0 only)
10	If no internal brake resistor is installed, set Pr 0.51 (or Pr 10.37) to 8 to disable this trip. If an internal brake resistor is installed: <ul style="list-style-type: none"> • Ensure that the internal braking resistor thermistor is connected correctly • Ensure that the fan in the drive is working correctly • Replace the internal braking resistor
C.Acc	SMARTCARD trip: SMARTCARD Read / Write fail
185	Check SMARTCARD is installed / located correctly Ensure SMARTCARD is not writing data to data location 500 to 999 Replace SMARTCARD
C.boot	SMARTCARD trip: The menu 0 parameter modification cannot be saved to the SMARTCARD because the necessary file has not been created on the SMARTCARD
177	A write to a menu 0 parameter has been initiated via the keypad with Pr 11.42 set to auto(3) or boot(4), but the necessary file on the SMARTCARD has not been created Ensure that Pr 11.42 is correctly set and reset the drive to create the necessary file on the SMARTCARD Re-attempt the parameter write to the menu 0 parameter
C.bUSY	SMARTCARD trip: SMARTCARD can not perform the required function as it is being accessed by a Solutions Module
178	Wait for the Solutions Module to finish accessing the SMARTCARD and then re-attempt the required function
C.Chg	SMARTCARD trip: Data location already contains data
179	Erase data in data location Write data to an alternative data location
C.cPr	SMARTCARD trip: The values stored in the drive and the values in the data block on the SMARTCARD are different
188	Press the red  reset button
C.dAt	SMARTCARD trip: Data location specified does not contain any data
183	Ensure data block number is correct
C.Err	SMARTCARD trip: SMARTCARD data is corrupted
182	Ensure the card is located correctly Erase data and retry Replace SMARTCARD
C.Full	SMARTCARD trip: SMARTCARD full
184	Delete a data block or use different SMARTCARD
cL2	Analog input 2 current loss (current mode)
28	Check analog input 2 (terminal 7) current signal is present (4-20mA, 20-4mA)
cL3	Analog input 3 current loss (current mode)
29	Check analog input 3 (terminal 8) current signal is present (4-20mA, 20-4mA)
CL.bit	Trip initiated from the control word (Pr 6.42)
35	Disable the control word by setting Pr 6.43 to 0 or check setting of Pr 6.42
ConF.P	The number of power modules installed no longer matches the value stored in Pr 11.35
111	Ensure that all power modules are correctly connected Ensure that all power modules have powered up correctly Ensure that the value in Pr 11.35 matches the number of power modules connected
C.OPtn	SMARTCARD trip: Solutions Modules installed are different between source drive and destination drive
180	Ensure correct Solutions Modules are installed Ensure Solutions Modules are in the same Solutions Module slot Press the red  reset button
C.Prod	SMARTCARD trip: The data blocks on the SMARTCARD are not compatible with this product
175	Erase all data on the SMARTCARD by setting Pr xx.00 to 9999 and pressing the red  reset button Replace SMARTCARD
C.rdo	SMARTCARD trip: SMARTCARD has the Read Only bit set
181	Enter 9777 in Pr xx.00 to allow SMARTCARD Read / Write access Ensure the drive is not writing to data locations 500 to 999 on the card

Trip	Diagnosis																												
C.rtg	SMARTCARD trip: The voltage and/or current rating of the source and destination drives are different																												
186	<p>Drive rating dependent parameters (parameters with the RA coding) are likely to have different values and ranges with drives of different voltage and current ratings. Parameters with this attribute will not be transferred to the destination drive by SMARTCARDs when the rating of the destination drive is different from the source drive and the file is a parameter file. However, with software V01.09.00 and later drive rating dependent parameters will be transferred if only the current rating is different and the file is a differences from default type file.</p> <p>Press the red  reset button</p> <p>Drive rating parameters are:</p> <table border="1"> <thead> <tr> <th>Parameter</th> <th>Function</th> </tr> </thead> <tbody> <tr> <td>2.08</td> <td>Standard ramp voltage</td> </tr> <tr> <td>4.05/6/7, 21.27/8/9</td> <td>Current limits</td> </tr> <tr> <td>4.24</td> <td>User current maximum scaling</td> </tr> <tr> <td>5.07, 21.07</td> <td>Motor rated current</td> </tr> <tr> <td>5.09, 21.09</td> <td>Motor rated voltage</td> </tr> <tr> <td>5.10, 21.10</td> <td>Rated power factor</td> </tr> <tr> <td>5.17, 21.12</td> <td>Stator resistance</td> </tr> <tr> <td>5.18</td> <td>Switching frequency</td> </tr> <tr> <td>5.23, 21.13</td> <td>Voltage offset</td> </tr> <tr> <td>5.24, 21.14</td> <td>Transient inductance</td> </tr> <tr> <td>5.25, 21.24</td> <td>Stator inductance</td> </tr> <tr> <td>6.06</td> <td>DC injection braking current</td> </tr> <tr> <td>6.48</td> <td>Line power supply loss ride through detection level</td> </tr> </tbody> </table> <p>The above parameters will be set to their default values.</p>	Parameter	Function	2.08	Standard ramp voltage	4.05/6/7, 21.27/8/9	Current limits	4.24	User current maximum scaling	5.07, 21.07	Motor rated current	5.09, 21.09	Motor rated voltage	5.10, 21.10	Rated power factor	5.17, 21.12	Stator resistance	5.18	Switching frequency	5.23, 21.13	Voltage offset	5.24, 21.14	Transient inductance	5.25, 21.24	Stator inductance	6.06	DC injection braking current	6.48	Line power supply loss ride through detection level
Parameter	Function																												
2.08	Standard ramp voltage																												
4.05/6/7, 21.27/8/9	Current limits																												
4.24	User current maximum scaling																												
5.07, 21.07	Motor rated current																												
5.09, 21.09	Motor rated voltage																												
5.10, 21.10	Rated power factor																												
5.17, 21.12	Stator resistance																												
5.18	Switching frequency																												
5.23, 21.13	Voltage offset																												
5.24, 21.14	Transient inductance																												
5.25, 21.24	Stator inductance																												
6.06	DC injection braking current																												
6.48	Line power supply loss ride through detection level																												
C.TyP	SMARTCARD trip: SMARTCARD parameter set not compatible with drive																												
187	<p>Press the reset button</p> <p>Ensure destination drive type is the same as the source parameter file drive type</p>																												
dESt	Two or more parameters are writing to the same destination parameter																												
199	Set Pr xx.00 = 12001 check all visible parameters in the menus for duplication																												
EEF	EEPROM data corrupted - Drive mode becomes open loop and serial comms will timeout with remote keypad on the drive RS485 comms port.																												
31	This trip can only be cleared by loading default parameters and saving parameters																												
Enc1	Drive encoder trip: Encoder power supply overload																												
189	<p>Check encoder power supply wiring and encoder current requirement</p> <p>Maximum current = 200mA @ 15V, or 300mA @ 8V and 5V</p>																												
Enc2	Drive encoder trip: Wire break (Drive encoder terminals 1 & 2, 3 & 4, 5 & 6)																												
190	<p>Check cable continuity</p> <p>Check wiring of feedback signals is correct</p> <p>Check encoder power is set correctly</p> <p>Replace feedback device</p> <p>If wire break detection on the main drive encoder input is not required, set Pr 3.40 = 0 to disable the Enc2 trip</p>																												
Enc3	Drive encoder trip: Phase offset incorrect while running																												
191	<p>Check the encoder signal for noise</p> <p>Check encoder shielding</p> <p>Check the integrity of the encoder mechanical mounting</p> <p>Repeat the offset measurement test</p>																												
Enc4	Drive encoder trip: Feedback device comms failure																												
192	<p>Ensure encoder power supply is correct</p> <p>Ensure baud rate is correct</p> <p>Check encoder wiring</p> <p>Replace feedback device</p>																												
Enc5	Drive encoder trip: Checksum or CRC error																												
193	<p>Check the encoder signal for noise</p> <p>Check the encoder cable shielding</p> <p>With EnDat encoders, check the comms resolution and/or carry out the auto-configuration Pr 3.41</p>																												
Enc6	Drive encoder trip: Encoder has indicated an error																												
194	<p>Replace feedback device</p> <p>With SSI encoders, check the wiring and encoder supply setting</p>																												

Trip	Diagnosis
Enc7	Drive encoder trip: Initialisation failed
195	Re-set the drive Check the correct encoder type is entered into Pr 3.38 Check encoder wiring Check encoder power supply is set correctly Carry out the auto-configuration Pr 3.41 Replace feedback device
Enc8	Drive encoder trip: Auto configuration on power up has been requested and failed
196	Change the setting of Pr 3.41 to 0 and manually enter the drive encoder turns (Pr 3.33) and the equivalent number of lines per revolution (Pr 3.34) Check the comms resolution
Enc9	Drive encoder trip: Position feedback selected is selected from a Solutions Module slot which does not have a speed / position feedback Solutions Module installed
197	Check setting of Pr 3.26 (or Pr 21.21 if the second motor parameters have been enabled)
Enc10	Drive encoder trip: Servo mode phasing failure because encoder phase angle (Pr 3.25 or Pr 21.20) is incorrect
198	Check the encoder wiring. Perform an autotune to measure the encoder phase angle or manually enter the correct phase angle into Pr 3.25 (or Pr 21.20). Spurious Enc10 trips can be seen in very dynamic applications. This trip can be disabled by setting the overspeed threshold in Pr 3.08 to a value greater than zero. Caution should be used in setting the over speed threshold level as a value which is too large may mean that an encoder fault will not be detected.
Enc11	Drive encoder trip: A failure has occurred during the alignment of the analog signals of a SINCOS encoder with the digital count derived from the sine and cosine waveforms and the comms position (if applicable). This fault is usually due to noise on the sine and cosine signals.
161	Check encoder cable shield. Examine sine and cosine signals for noise.
Enc12	Drive encoder trip: Hiperface encoder - The encoder type could not be identified during auto-configuration
162	Check encoder type can be auto-configured. Check encoder wiring. Enter parameters manually.
Enc13	Drive encoder trip: EnDat encoder - The number of encoder turns read from the encoder during auto-configuration is not a power of 2
163	Select a different type of encoder.
Enc14	Drive encoder trip: EnDat encoder - The number of comms bits defining the encoder position within a turn read from the encoder during auto-configuration is too large.
164	Select a different type of encoder. Faulty encoder.
Enc15	Drive encoder trip: The number of periods per revolution calculated from encoder data during auto-configuration is either less than 2 or greater than 50,000.
165	Linear motor pole pitch / encoder ppr set up is incorrect or out of parameter range i.e. Pr 5.36 = 0 or Pr 21.31 = 0. Faulty encoder.
Enc16	Drive encoder trip: EnDat encoder - The number of comms bits per period for a linear encoder exceeds 255.
166	Select a different type of encoder. Faulty encoder.
Enc17	Drive encoder trip: The periods per revolution obtained during auto-configuration for a rotary SINCOS encoder is not a power of two.
167	Select a different type of encoder. Faulty encoder.
ENP.Er	Data error from electronic nameplate stored in selected position feedback device
176	Replace feedback device
Et	External trip from input on terminal 31
6	Check terminal 31 signal Check value of Pr 10.32 Enter 12001 in Pr xx.00 and check for parameter controlling Pr 10.32 Ensure Pr 10.32 or Pr 10.38 (=6) are not being controlled by serial comms
HF01	Data processing error: CPU address error
	Hardware fault - return drive to supplier

Trip	Diagnosis
HF02	Data processing error: DMAC address error
	Hardware fault - return drive to supplier
HF03	Data processing error: Illegal instruction
	Hardware fault - return drive to supplier
HF04	Data processing error: Illegal slot instruction
	Hardware fault - return drive to supplier
HF05	Data processing error: Undefined exception
	Hardware fault - return drive to supplier
HF06	Data processing error: Reserved exception
	Hardware fault - return drive to supplier
HF07	Data processing error: Watchdog failure
	Hardware fault - return drive to supplier
HF08	Data processing error: Level 4 crash
	Hardware fault - return drive to supplier
HF09	Data processing error: Heap overflow
	Hardware fault - return drive to supplier
HF10	Data processing error: Router error
	Hardware fault - return drive to supplier
HF11	Data processing error: Access to EEPROM failed
	Hardware fault - return drive to supplier
HF12	Data processing error: Main program stack overflow
	Hardware fault - return drive to supplier
HF13	Data processing error: Software incompatible with hardware
	Hardware or software fault - return drive to supplier
HF17	Multi-module system thermistor short circuit or open circuit
217	Hardware fault - return drive to supplier
HF18	Multi-module system interconnect cable error
218	Parallel cable in wrong port. (Note in multi module systems, the drive with the trip code displayed indicates that the subsequent drive in the sequence has the physical fault) Hardware fault - return drive to supplier
HF19	Temperature feedback multiplexing failure
219	Hardware fault - return drive to supplier
HF20	Power stage recognition: serial code error
220	Hardware fault - return drive to supplier
HF21	Power stage recognition: unrecognised frame size
221	Hardware fault - return drive to supplier
HF22	Power stage recognition: multi module frame size mismatch
222	Hardware fault - return drive to supplier
HF23	Power stage recognition: multi module voltage rating mismatch
223	Hardware fault - return drive to supplier
HF24	Power stage recognition: unrecognised drive size
224	Hardware fault - return drive to supplier
HF25	Current feedback offset error
225	Hardware fault - return drive to supplier
HF26	Soft start relay failed to close, soft start monitor failed or braking IGBT short circuit at power up
226	Hardware fault - return drive to supplier

Trip	Diagnosis
HF27	Power stage thermistor 1 fault
227	Hardware fault - return drive to supplier
HF28	Power stage thermistor 2 fault
228	Hardware fault - return drive to supplier
HF29	Control board thermistor fault
229	Hardware fault - return drive to supplier
HF30	DCCT wire break trip from power module
230	Hardware fault - return drive to supplier
HF31	Internal capacitor bank fan failure or a module has not powered up in a multi-module parallel drive
231	Check the AC or DC power supply to all modules in a multi-module parallel drive If the AC or DC power supply is present, or if this is a single drive, then there is a hardware fault - return drive to the supplier
HF32	Power stage - Identification and trip information serial code error
232	Hardware fault - return drive to the supplier
It.AC	Output current overload timed out (I^2t) - accumulator value can be seen in Pr 4.19
20	Ensure the load is not jammed / sticking Check the load on the motor has not changed If seen during an autotune in servo mode, ensure that the motor rated current Pr 0.46 (Pr 5.07) or Pr 21.07 is \leq Heavy Duty current rating of the drive Tune the rated speed parameter (closed loop vector only) Check feedback device signal for noise Check the feedback device mechanical coupling
It.br	Braking resistor overload timed out (I^2t) – accumulator value can be seen in Pr 10.39
19	Ensure the values entered in Pr 10.30 and Pr 10.31 are correct Increase the power rating of the braking resistor and change Pr 10.30 and Pr 10.31 If an external thermal protection device is being used and the braking resistor software overload is not required, set Pr 10.30 or Pr 10.31 to 0 to disable the trip
L.SYnC	Drive failed to synchronize to the supply voltage in Regen mode
39	Refer to the <i>Diagnostics</i> chapter in the <i>Unidrive SP Regen Installation Guide</i> .
O.CtL	Drive control board over temperature
23	Check enclosure / drive fans are still functioning correctly Check enclosure ventilation paths Check enclosure door filters Check ambient temperature Reduce drive switching frequency
O.ht1	Power device over temperature based on thermal model
21	Reduce drive switching frequency Reduce duty cycle Decrease acceleration / deceleration rates Reduce motor load
O.ht2	Heatsink over temperature
22	Check enclosure / drive fans are still functioning correctly Check enclosure ventilation paths Check enclosure door filters Increase ventilation Decrease acceleration / deceleration rates Reduce drive switching frequency Reduce duty cycle Reduce motor load
Oht2.P	Power module heatsink over temperature
105	Check enclosure / drive fans are still functioning correctly Check enclosure ventilation paths Check enclosure door filters Increase ventilation Decrease acceleration / deceleration rates Reduce drive switching frequency Reduce duty cycle Reduce motor load

Trip	Diagnosis
O.ht3	Drive over-temperature based on thermal model
27	The drive will attempt to stop the motor before tripping. If the motor does not stop in 10s the drive trips immediately. Check enclosure / drive fans are still functioning correctly Check enclosure ventilation paths Check enclosure door filters Increase ventilation Decrease acceleration / deceleration rates Reduce duty cycle Reduce motor load
Oht4.P	Power module rectifier over temperature or input snubber resistor over temperature (size 4 and above)
102	Check for supply imbalance Check for supply disturbance such as notching from a DC drive Check enclosure / drive fans are still functioning correctly Check enclosure ventilation paths Check enclosure door filters Increase ventilation Decrease acceleration / deceleration rates Reduce drive switching frequency Reduce duty cycle Reduce motor load
OI.AC	Instantaneous output over current detected: peak output current greater than 225%
3	Acceleration /deceleration rate is too short. If seen during autotune reduce voltage boost Pr 5.15 Check for short circuit on output cabling Check integrity of motor insulation Check feedback device wiring Check feedback device mechanical coupling Check feedback signals are free from noise Is motor cable length within limits for that frame size? Reduce the values in speed loop gain parameters – Pr 3.10 , Pr 3.11 and Pr 3.12 (and servo modes only) Has offset measurement test been completed? (servo mode only) Reduce the values in current loop gain parameters - Pr 4.13 and Pr 4.14 (closed loop vector and servo modes only)
OIAC.P	Power module over current detected from the module output currents
104	Acceleration /deceleration rate is too short. If seen during autotune reduce voltage boost Pr 5.15 Check for short circuit on output cabling Check integrity of motor insulation Check feedback device wiring Check feedback device mechanical coupling Check feedback signals are free from noise Is motor cable length within limits for that frame size? Reduce the values in speed loop gain parameters – Pr 3.10 , Pr 3.11 and Pr 3.12 (closed loop vector and servo modes only) (closed loop vector RFC mode) Has offset measurement test been completed? (servo mode only) Reduce the values in current loop gain parameters - Pr 4.13 and Pr 4.14 (closed loop vector and servo modes only) (closed loop vector RFC mode)
OI.br	Braking transistor over-current detected: short circuit protection for the braking transistor activated
4	Check braking resistor wiring Check braking resistor value is greater than or equal to the minimum resistance value Check braking resistor insulation
Oibr.P	Power module braking IGBT over current
103	Check braking resistor wiring Check braking resistor value is greater than or equal to the minimum resistance value Check braking resistor insulation
OldC.P	Power module over current detected from IGBT on state voltage monitoring
109	Vce IGBT protection activated. Check motor and cable insulation.
O.Ld1	Digital output overload: total current drawn from 24V supply and digital outputs exceeds 200mA
26	Check total load on digital outputs (terminals 24,25,26)and +24V rail (terminal 22)

Trip	Diagnosis															
O.SPd	Motor speed has exceeded the over speed threshold															
7	Increase the over speed trip threshold in Pr 3.08 (closed loop vector and servo modes only) (closed loop vector RFC mode) Speed has exceeded 1.2 x Pr 1.06 or Pr 1.07 (open loop mode) Reduce the speed loop P gain (Pr 3.10) to reduce the speed overshoot (closed loop vector and servo modes only) (closed loop vector RFC mode)															
OV	DC bus voltage has exceeded the peak level or the maximum continuous level for 15 seconds															
2	Increase deceleration ramp (Pr 0.04) Decrease braking resistor value (staying above the minimum value) Check nominal AC supply level Check for supply disturbances which could cause the DC bus to rise – voltage overshoot after supply recovery from a notch induced by DC drives. Check motor insulation <table border="1"> <thead> <tr> <th>Drive voltage rating</th> <th>Peak voltage</th> <th>Maximum continuous voltage level (15s)</th> </tr> </thead> <tbody> <tr> <td>200</td> <td>415</td> <td>410</td> </tr> <tr> <td>400</td> <td>830</td> <td>815</td> </tr> <tr> <td>575</td> <td>990</td> <td>970</td> </tr> <tr> <td>690</td> <td>1190</td> <td>1175</td> </tr> </tbody> </table> <p>If the drive is operating in low voltage DC mode the overvoltage trip level is 1.45 x Pr 6.46.</p>	Drive voltage rating	Peak voltage	Maximum continuous voltage level (15s)	200	415	410	400	830	815	575	990	970	690	1190	1175
Drive voltage rating	Peak voltage	Maximum continuous voltage level (15s)														
200	415	410														
400	830	815														
575	990	970														
690	1190	1175														
OV.P	Power module DC bus voltage has exceeded the peak level or the maximum continuous level for 15 seconds															
106	Increase deceleration ramp (Pr 0.04) Decrease braking resistor value (staying above the minimum value) Check nominal AC supply level Check for supply disturbances which could cause the DC bus to rise – voltage overshoot after supply recovery from a notch induced by DC drives. Check motor insulation <table border="1"> <thead> <tr> <th>Drive voltage rating</th> <th>Peak voltage</th> <th>Maximum continuous voltage level (15s)</th> </tr> </thead> <tbody> <tr> <td>200</td> <td>415</td> <td>410</td> </tr> <tr> <td>400</td> <td>830</td> <td>815</td> </tr> <tr> <td>575</td> <td>990</td> <td>970</td> </tr> <tr> <td>690</td> <td>1190</td> <td>1175</td> </tr> </tbody> </table> <p>If the drive is operating in low voltage DC mode the overvoltage trip level is 1.45 x Pr 6.46.</p>	Drive voltage rating	Peak voltage	Maximum continuous voltage level (15s)	200	415	410	400	830	815	575	990	970	690	1190	1175
Drive voltage rating	Peak voltage	Maximum continuous voltage level (15s)														
200	415	410														
400	830	815														
575	990	970														
690	1190	1175														
PAd	Keypad has been removed when the drive is receiving the speed reference from the keypad															
34	Install keypad and reset Change speed reference selector to select speed reference from another source															
PH	AC voltage input phase loss or large supply imbalance detected															
32	Ensure all three phases are present and balanced Check input voltage levels are correct (at full load) NOTE Load level must be between 50 and 100% for the drive to trip under phase loss conditions. The drive will attempt to stop the motor before this trip is initiated.															
PH.P	Power module phase loss detection															
107	Ensure all three phases are present and balanced Check input voltage levels are correct (at full load)															
PS	Internal power supply fault															
5	Remove any Solutions Modules and reset Hardware fault - return drive to supplier															
PS.10V	10V user power supply current greater than 10mA															
8	Check wiring to terminal 4 Reduce load on terminal 4															
PS.24V	24V internal power supply overload															
9	The total user load of the drive and Solutions Modules has exceeded the internal 24V power supply limit. The user load consists of the drive's digital outputs, the SM-I/O Plus digital outputs, the drive's main encoder supply and the SM-Universal Encoder Plus encoder supply. <ul style="list-style-type: none"> Reduce load and reset Provide an external 24V >50W power supply Remove any Solutions Modules and reset 															
PS.P	Power module power supply fail															
108	Remove any Solutions Modules and reset Hardware fault - return drive to supplier															

Trip	Diagnosis
PSAVE.Er	Power down save parameters in the EEPROM are corrupt
37	Indicates that the power was removed when power down save parameters were being saved. The drive will revert back to the power down parameter set that was last saved successfully. Perform a user save (Pr xx.00 to 1000 or 1001 and reset the drive) or power down the drive normally to ensure this trip does or occur the next time the drive is powered up.
rS	Failure to measure resistance during autotune or when starting in open loop vector mode 0 or 3
33	Check motor power connection continuity
SAVE.Er	User save parameters in the EEPROM are corrupt
36	Indicates that the power was removed when user parameters were being saved. The drive will revert back to the user parameter set that was last saved successfully. Perform a user save (Pr xx.00 to 1000 or 1001 and reset the drive) to ensure this trip does or occur the next time the drive is powered up.
SCL	Drive RS485 serial comms loss to remote keypad
30	Reinstall the cable between the drive and keypad Check cable for damage Replace cable Replace keypad
SLX.dF	Solutions Module slot X trip: Solutions Module type installed in slot X changed
204,209,214	Save parameters and reset
SL3.dF	Building automation interface slot trip
214,214	Module typed changed

Trip	Diagnosis			
SLX.Er	Solutions Module slot X trip: Solutions Module in slot X has detected a fault			
202,207,212	Feedback module category			
	Check value in Pr 15/16/17.50 . The following table lists the possible error codes for the SM-Universal Encoder Plus, SM-Encoder Plus and SM-Resolver. See the <i>Diagnostics</i> section in the relevant Solutions Module User Guide for more information.			
	Error code	Module	Trip Description	Diagnostic
	0	All	No trip	No fault detected
	1	SM-Universal Encoder Plus & SM-Encoder Plus	Encoder power supply overload	Check encoder power supply wiring and encoder current requirement Maximum current = 200mA @ 15V, or 300mA @ 8V and 5V
		SM-Resolver	Excitation output short circuit	Check the excitation output wiring.
	2	SM-Universal Encoder Plus & SM-Resolver	Wire break	Check cable continuity Check wiring of feedback signals is correct Check supply voltage or excitation output level Replace feedback device
	3	SM-Universal Encoder Plus	Phase offset incorrect while running	Check the encoder signal for noise Check encoder shielding Check the integrity of the encoder mechanical mounting Repeat the offset measurement test
	4	SM-Universal Encoder Plus	Feedback device communications failure	Ensure encoder power supply is correct Ensure baud rate is correct Check encoder wiring Replace feedback device
	5	SM-Universal Encoder Plus	Checksum or CRC error	Check the encoder signal for noise Check the encoder cable shielding
	6	SM-Universal Encoder Plus	Encoder has indicated an error	Replace encoder
	7	SM-Universal Encoder Plus	Initialisation failed	Check the correct encoder type is entered into Pr 15/16/17.15 Check encoder wiring Check supply voltage level Replace feedback device
	8	SM-Universal Encoder Plus	Auto configuration on power up has been requested and failed	Change the setting of Pr 15/16/17.18 and manually enter the number of turns (Pr 15/16/17.09) and the equivalent number of lines per revolution (Pr 15/16/17.10)
	9	SM-Universal Encoder Plus	Motor thermistor trip	Check motor temperature Check thermistor continuity
	10	SM-Universal Encoder Plus	Motor thermistor short circuit	Check motor thermistor wiring Replace motor / motor thermistor
	11	SM-Universal Encoder Plus	Failure of the sincos analog position alignment during encoder initialisation	Check encoder cable shield. Examine sine and cosine signals for noise.
		SM-Resolver	Poles not compatible with motor	Check that the correct number of resolver poles has been set in Pr 15/16/17.15 .
	12	SM-Universal Encoder Plus	Encoder type could not be identified during auto-configuration	Check encoder type can be auto-configured. Check encoder wiring. Enter parameters manually.
	13	SM-Universal Encoder Plus	Number of encoder turns read from the encoder during auto-configuration is not a power of 2	Select a different type of encoder.
14	SM-Universal Encoder Plus	Number of comms bits defining the encoder position within a turn read from the encoder during auto-configuration is too large.	Select a different type of encoder. Faulty encoder.	
15	SM-Universal Encoder Plus	The number of periods per revolution calculated from encoder data during auto-configuration is either <2 or >50,000.	Linear motor pole pitch / encoder ppr set up is incorrect or out of parameter range i.e. Pr 5.36 = 0 or Pr 21.31 = 0. Faulty encoder.	
16	SM-Universal Encoder Plus	The number of comms bits per period for a linear encoder exceeds 255.	Select a different type of encoder. Faulty encoder.	
74	All	Solutions Module has overheated	Check ambient temperature Check enclosure ventilation	

Trip	Diagnosis																																																																																										
SLX.Er	Solutions Module slot X trip: Solutions Module in slot X has detected a fault																																																																																										
202,207,212	<p>Automation (Applications) module category</p> <p>Check value in Pr 15/16/17.50. The following table lists the possible error codes for the SM-Applications and SM-Applications Lite. See the <i>Diagnostics</i> section in the relevant Solutions Module User Guide for more information.</p> <table border="1"> <thead> <tr> <th>Error Code</th> <th>Trip Description</th> </tr> </thead> <tbody> <tr><td>39</td><td>User program stack overflow</td></tr> <tr><td>40</td><td>Unknown error - please contact supplier</td></tr> <tr><td>41</td><td>Parameter does not exist</td></tr> <tr><td>42</td><td>Attempt to write to a read-only parameter</td></tr> <tr><td>43</td><td>Attempt to read from a write-only parameter</td></tr> <tr><td>44</td><td>Parameter value out of range</td></tr> <tr><td>45</td><td>Invalid synchronisation modes</td></tr> <tr><td>46</td><td>Unused</td></tr> <tr><td>47</td><td>Synchronisation lost with CTSync Master</td></tr> <tr><td>48</td><td>RS485 not in user mode</td></tr> <tr><td>49</td><td>Invalid RS485 configuration</td></tr> <tr><td>50</td><td>Maths error - divide by zero or overflow</td></tr> <tr><td>51</td><td>Array index out of range</td></tr> <tr><td>52</td><td>Control word user trip</td></tr> <tr><td>53</td><td>DPL program incompatible with target</td></tr> <tr><td>54</td><td>DPL task overrun</td></tr> <tr><td>55</td><td>Unused</td></tr> <tr><td>56</td><td>Invalid timer unit configuration</td></tr> <tr><td>57</td><td>Function block does not exist</td></tr> <tr><td>58</td><td>Flash PLC Storage corrupt</td></tr> <tr><td>59</td><td>Drive rejected application module as Sync master</td></tr> <tr><td>60</td><td>CTNet hardware failure. Please contact your supplier</td></tr> <tr><td>61</td><td>CTNet invalid configuration</td></tr> <tr><td>62</td><td>CTNet invalid baud-rate</td></tr> <tr><td>63</td><td>CTNet invalid node ID</td></tr> <tr><td>64</td><td>Digital Output overload</td></tr> <tr><td>65</td><td>Invalid function block parameter(s)</td></tr> <tr><td>66</td><td>User heap too large</td></tr> <tr><td>67</td><td>RAM file does not exist or a non-RAM file id has been specified</td></tr> <tr><td>68</td><td>The RAM file specified is not associated to an array</td></tr> <tr><td>69</td><td>Failed to update drive parameter database cache in Flash memory</td></tr> <tr><td>70</td><td>User program downloaded while drive enabled</td></tr> <tr><td>71</td><td>Failed to change drive mode</td></tr> <tr><td>72</td><td>Invalid CTNet buffer operation</td></tr> <tr><td>73</td><td>Fast parameter initialisation failure</td></tr> <tr><td>74</td><td>Over-temperature</td></tr> <tr><td>75</td><td>Hardware unavailable</td></tr> <tr><td>76</td><td>Module type cannot be resolved. Module is not recognised.</td></tr> <tr><td>77</td><td>Inter-option module comms error with module in slot 1</td></tr> <tr><td>78</td><td>Inter-option module comms error with module in slot 2</td></tr> <tr><td>79</td><td>Inter-option module comms error with module in slot 3</td></tr> <tr><td>80</td><td>Inter-option module comms error with module unknown slot</td></tr> <tr><td>81</td><td>APC internal error</td></tr> <tr><td>82</td><td>Communications to drive faulty</td></tr> </tbody> </table>	Error Code	Trip Description	39	User program stack overflow	40	Unknown error - please contact supplier	41	Parameter does not exist	42	Attempt to write to a read-only parameter	43	Attempt to read from a write-only parameter	44	Parameter value out of range	45	Invalid synchronisation modes	46	Unused	47	Synchronisation lost with CTSync Master	48	RS485 not in user mode	49	Invalid RS485 configuration	50	Maths error - divide by zero or overflow	51	Array index out of range	52	Control word user trip	53	DPL program incompatible with target	54	DPL task overrun	55	Unused	56	Invalid timer unit configuration	57	Function block does not exist	58	Flash PLC Storage corrupt	59	Drive rejected application module as Sync master	60	CTNet hardware failure. Please contact your supplier	61	CTNet invalid configuration	62	CTNet invalid baud-rate	63	CTNet invalid node ID	64	Digital Output overload	65	Invalid function block parameter(s)	66	User heap too large	67	RAM file does not exist or a non-RAM file id has been specified	68	The RAM file specified is not associated to an array	69	Failed to update drive parameter database cache in Flash memory	70	User program downloaded while drive enabled	71	Failed to change drive mode	72	Invalid CTNet buffer operation	73	Fast parameter initialisation failure	74	Over-temperature	75	Hardware unavailable	76	Module type cannot be resolved. Module is not recognised.	77	Inter-option module comms error with module in slot 1	78	Inter-option module comms error with module in slot 2	79	Inter-option module comms error with module in slot 3	80	Inter-option module comms error with module unknown slot	81	APC internal error	82	Communications to drive faulty
	Error Code	Trip Description																																																																																									
	39	User program stack overflow																																																																																									
	40	Unknown error - please contact supplier																																																																																									
	41	Parameter does not exist																																																																																									
	42	Attempt to write to a read-only parameter																																																																																									
	43	Attempt to read from a write-only parameter																																																																																									
	44	Parameter value out of range																																																																																									
	45	Invalid synchronisation modes																																																																																									
	46	Unused																																																																																									
	47	Synchronisation lost with CTSync Master																																																																																									
	48	RS485 not in user mode																																																																																									
	49	Invalid RS485 configuration																																																																																									
	50	Maths error - divide by zero or overflow																																																																																									
	51	Array index out of range																																																																																									
	52	Control word user trip																																																																																									
	53	DPL program incompatible with target																																																																																									
	54	DPL task overrun																																																																																									
	55	Unused																																																																																									
	56	Invalid timer unit configuration																																																																																									
	57	Function block does not exist																																																																																									
	58	Flash PLC Storage corrupt																																																																																									
	59	Drive rejected application module as Sync master																																																																																									
	60	CTNet hardware failure. Please contact your supplier																																																																																									
	61	CTNet invalid configuration																																																																																									
	62	CTNet invalid baud-rate																																																																																									
	63	CTNet invalid node ID																																																																																									
	64	Digital Output overload																																																																																									
	65	Invalid function block parameter(s)																																																																																									
	66	User heap too large																																																																																									
	67	RAM file does not exist or a non-RAM file id has been specified																																																																																									
	68	The RAM file specified is not associated to an array																																																																																									
	69	Failed to update drive parameter database cache in Flash memory																																																																																									
70	User program downloaded while drive enabled																																																																																										
71	Failed to change drive mode																																																																																										
72	Invalid CTNet buffer operation																																																																																										
73	Fast parameter initialisation failure																																																																																										
74	Over-temperature																																																																																										
75	Hardware unavailable																																																																																										
76	Module type cannot be resolved. Module is not recognised.																																																																																										
77	Inter-option module comms error with module in slot 1																																																																																										
78	Inter-option module comms error with module in slot 2																																																																																										
79	Inter-option module comms error with module in slot 3																																																																																										
80	Inter-option module comms error with module unknown slot																																																																																										
81	APC internal error																																																																																										
82	Communications to drive faulty																																																																																										

Trip	Diagnosis																																																																									
SLX.Er	Solutions Module slot X trip: Solutions Module in slot X has detected a fault																																																																									
202,207,212	<p>Automation (I/O Expansion) module category</p> <p>Check value in Pr 15/16/17.50. The following table lists the possible error codes for the SM-I/O Plus, SM-I/O Lite, SM-I/O Timer, SM-I/O PELV, SM-I/O 120V and SM-I/O 24V Protected. See the <i>Diagnostics</i> section in the relevant Solutions Module User Guide for more information.</p> <table border="1"> <thead> <tr> <th>Error code</th> <th>Module</th> <th>Reason for fault</th> </tr> </thead> <tbody> <tr> <td>0</td> <td>All</td> <td>No errors</td> </tr> <tr> <td>1</td> <td>All</td> <td>Digital output overload</td> </tr> <tr> <td rowspan="2">2</td> <td>SM-I/O Lite, SM-I/O Timer</td> <td>Analog input 1 current input too high (>22mA) or too low (<3mA)</td> </tr> <tr> <td>SM-I/O PELV, SM-I/O 24V Protected</td> <td>Digital input overload</td> </tr> <tr> <td rowspan="2">3</td> <td>SM-I/O PELV, SM-I/O 24V Protected</td> <td>Analog input 1 current input too low (<3mA)</td> </tr> <tr> <td>SM-I/O 24V Protected</td> <td>Communications error</td> </tr> <tr> <td>4</td> <td>SM-I/O PELV</td> <td>User power supply absent</td> </tr> <tr> <td>5</td> <td>SM-I/O Timer</td> <td>Real time clock communication error</td> </tr> <tr> <td>74</td> <td>All</td> <td>Module over temperature</td> </tr> </tbody> </table>	Error code	Module	Reason for fault	0	All	No errors	1	All	Digital output overload	2	SM-I/O Lite, SM-I/O Timer	Analog input 1 current input too high (>22mA) or too low (<3mA)	SM-I/O PELV, SM-I/O 24V Protected	Digital input overload	3	SM-I/O PELV, SM-I/O 24V Protected	Analog input 1 current input too low (<3mA)	SM-I/O 24V Protected	Communications error	4	SM-I/O PELV	User power supply absent	5	SM-I/O Timer	Real time clock communication error	74	All	Module over temperature																																													
	Error code	Module	Reason for fault																																																																							
	0	All	No errors																																																																							
	1	All	Digital output overload																																																																							
	2	SM-I/O Lite, SM-I/O Timer	Analog input 1 current input too high (>22mA) or too low (<3mA)																																																																							
		SM-I/O PELV, SM-I/O 24V Protected	Digital input overload																																																																							
	3	SM-I/O PELV, SM-I/O 24V Protected	Analog input 1 current input too low (<3mA)																																																																							
		SM-I/O 24V Protected	Communications error																																																																							
	4	SM-I/O PELV	User power supply absent																																																																							
	5	SM-I/O Timer	Real time clock communication error																																																																							
	74	All	Module over temperature																																																																							
SLX.Er	Solutions Module slot X trip: Solutions Module in slot X has detected a fault																																																																									
202,207,212	<p>Fieldbus module category</p> <p>Check value in Pr 15/16/17.50. The following table lists the possible error codes for the Fieldbus modules. See the <i>Diagnostics</i> section in the relevant Solutions Module User Guide for more information.</p> <table border="1"> <thead> <tr> <th>Error code</th> <th>Module</th> <th>Trip Description</th> </tr> </thead> <tbody> <tr> <td>0</td> <td>All</td> <td>No trip</td> </tr> <tr> <td>52</td> <td>SM-PROFIBUS-DP, SM-Interbus, SM-DeviceNet, SM-CANOpen</td> <td>User control word trip</td> </tr> <tr> <td>58</td> <td>SM-LON</td> <td>Incorrect non-volatile storage</td> </tr> <tr> <td>61</td> <td>SM-PROFIBUS-DP, SM-Interbus, SM-DeviceNet, SM-CANOpen, SM-SERCOS, SM-LON</td> <td>Configuration error</td> </tr> <tr> <td>64</td> <td>SM-DeviceNet</td> <td>Expected packet rate timeout</td> </tr> <tr> <td>65</td> <td>SM-PROFIBUS-DP, SM-Interbus, SM-DeviceNet, SM-CANOpen, SM-SERCOS, SM-LON</td> <td>Network loss</td> </tr> <tr> <td rowspan="2">66</td> <td>SM-PROFIBUS-DP</td> <td>Critical link failure</td> </tr> <tr> <td>SM-CAN, SM-DeviceNet, SM-CANOpen</td> <td>Bus off error</td> </tr> <tr> <td>69</td> <td>SM-CAN</td> <td>No acknowledgement</td> </tr> <tr> <td rowspan="2">70</td> <td>All (except SM-Ethernet and SM-LON)</td> <td>Flash transfer error</td> </tr> <tr> <td>SM-Ethernet, SM-LON</td> <td>No valid menu data available for the module from the drive</td> </tr> <tr> <td>74</td> <td>All</td> <td>Solutions module over temperature</td> </tr> <tr> <td>75</td> <td>SM-Ethernet</td> <td>The drive is not responding</td> </tr> <tr> <td>76</td> <td>SM-Ethernet</td> <td>The Modbus connection has timed out</td> </tr> <tr> <td>80</td> <td>All (except SM-SERCOS)</td> <td>Inter-option communications error</td> </tr> <tr> <td>81</td> <td>All (except SM-SERCOS)</td> <td>Communications error to slot 1</td> </tr> <tr> <td>82</td> <td>All (except SM-SERCOS)</td> <td>Communications error to slot 2</td> </tr> <tr> <td>83</td> <td>All (except SM-SERCOS)</td> <td>Communications error to slot 3</td> </tr> <tr> <td>84</td> <td>SM-Ethernet</td> <td>Memory allocation error</td> </tr> <tr> <td>85</td> <td>SM-Ethernet</td> <td>File system error</td> </tr> <tr> <td>86</td> <td>SM-Ethernet</td> <td>Configuration file error</td> </tr> <tr> <td>87</td> <td>SM-Ethernet</td> <td>Language file error</td> </tr> <tr> <td>98</td> <td>All</td> <td>Internal watchdog error</td> </tr> <tr> <td>99</td> <td>All</td> <td>Internal software error</td> </tr> </tbody> </table>	Error code	Module	Trip Description	0	All	No trip	52	SM-PROFIBUS-DP, SM-Interbus, SM-DeviceNet, SM-CANOpen	User control word trip	58	SM-LON	Incorrect non-volatile storage	61	SM-PROFIBUS-DP, SM-Interbus, SM-DeviceNet, SM-CANOpen, SM-SERCOS, SM-LON	Configuration error	64	SM-DeviceNet	Expected packet rate timeout	65	SM-PROFIBUS-DP, SM-Interbus, SM-DeviceNet, SM-CANOpen, SM-SERCOS, SM-LON	Network loss	66	SM-PROFIBUS-DP	Critical link failure	SM-CAN, SM-DeviceNet, SM-CANOpen	Bus off error	69	SM-CAN	No acknowledgement	70	All (except SM-Ethernet and SM-LON)	Flash transfer error	SM-Ethernet, SM-LON	No valid menu data available for the module from the drive	74	All	Solutions module over temperature	75	SM-Ethernet	The drive is not responding	76	SM-Ethernet	The Modbus connection has timed out	80	All (except SM-SERCOS)	Inter-option communications error	81	All (except SM-SERCOS)	Communications error to slot 1	82	All (except SM-SERCOS)	Communications error to slot 2	83	All (except SM-SERCOS)	Communications error to slot 3	84	SM-Ethernet	Memory allocation error	85	SM-Ethernet	File system error	86	SM-Ethernet	Configuration file error	87	SM-Ethernet	Language file error	98	All	Internal watchdog error	99	All	Internal software error
	Error code	Module	Trip Description																																																																							
	0	All	No trip																																																																							
	52	SM-PROFIBUS-DP, SM-Interbus, SM-DeviceNet, SM-CANOpen	User control word trip																																																																							
	58	SM-LON	Incorrect non-volatile storage																																																																							
	61	SM-PROFIBUS-DP, SM-Interbus, SM-DeviceNet, SM-CANOpen, SM-SERCOS, SM-LON	Configuration error																																																																							
	64	SM-DeviceNet	Expected packet rate timeout																																																																							
	65	SM-PROFIBUS-DP, SM-Interbus, SM-DeviceNet, SM-CANOpen, SM-SERCOS, SM-LON	Network loss																																																																							
	66	SM-PROFIBUS-DP	Critical link failure																																																																							
		SM-CAN, SM-DeviceNet, SM-CANOpen	Bus off error																																																																							
	69	SM-CAN	No acknowledgement																																																																							
	70	All (except SM-Ethernet and SM-LON)	Flash transfer error																																																																							
		SM-Ethernet, SM-LON	No valid menu data available for the module from the drive																																																																							
	74	All	Solutions module over temperature																																																																							
	75	SM-Ethernet	The drive is not responding																																																																							
	76	SM-Ethernet	The Modbus connection has timed out																																																																							
	80	All (except SM-SERCOS)	Inter-option communications error																																																																							
	81	All (except SM-SERCOS)	Communications error to slot 1																																																																							
	82	All (except SM-SERCOS)	Communications error to slot 2																																																																							
	83	All (except SM-SERCOS)	Communications error to slot 3																																																																							
	84	SM-Ethernet	Memory allocation error																																																																							
	85	SM-Ethernet	File system error																																																																							
	86	SM-Ethernet	Configuration file error																																																																							
	87	SM-Ethernet	Language file error																																																																							
	98	All	Internal watchdog error																																																																							
	99	All	Internal software error																																																																							

Trip	Diagnosis																																												
SLX.Er	Solutions Module slot X trip: Solutions Module in slot X has detected a fault																																												
202,207,212	SLM module category Check value in Pr 15/16/17.50 . The following table lists the possible error codes for the SM-SLM. See the <i>Diagnostics</i> section in the <i>SM-SLM User Guide</i> for more information.																																												
	<table border="1"> <thead> <tr> <th>Error Code</th> <th>Trip Description</th> </tr> </thead> <tbody> <tr><td>0</td><td>No fault detected</td></tr> <tr><td>1</td><td>Power supply overloaded</td></tr> <tr><td>2</td><td>SLM version is too low</td></tr> <tr><td>3</td><td>DriveLink error</td></tr> <tr><td>4</td><td>Incorrect switching frequency selected</td></tr> <tr><td>5</td><td>Feedback source selection incorrect</td></tr> <tr><td>6</td><td>Encoder error</td></tr> <tr><td>7</td><td>Motor object number of instances error</td></tr> <tr><td>8</td><td>Motor object list version error</td></tr> <tr><td>9</td><td>Performance object number of instances error</td></tr> <tr><td>10</td><td>Parameter channel error</td></tr> <tr><td>11</td><td>Drive operating mode incompatible</td></tr> <tr><td>12</td><td>Error writing to the SLM EEPROM</td></tr> <tr><td>13</td><td>Motor object type incorrect</td></tr> <tr><td>14</td><td>Unidrive SP object error</td></tr> <tr><td>15</td><td>Encoder object CRC error</td></tr> <tr><td>16</td><td>Motor object CRC error</td></tr> <tr><td>17</td><td>Performance object CRC error</td></tr> <tr><td>18</td><td>Unidrive SP object CRC error</td></tr> <tr><td>19</td><td>Sequencer timeout</td></tr> <tr><td>74</td><td>Solutions module over temperature</td></tr> </tbody> </table>	Error Code	Trip Description	0	No fault detected	1	Power supply overloaded	2	SLM version is too low	3	DriveLink error	4	Incorrect switching frequency selected	5	Feedback source selection incorrect	6	Encoder error	7	Motor object number of instances error	8	Motor object list version error	9	Performance object number of instances error	10	Parameter channel error	11	Drive operating mode incompatible	12	Error writing to the SLM EEPROM	13	Motor object type incorrect	14	Unidrive SP object error	15	Encoder object CRC error	16	Motor object CRC error	17	Performance object CRC error	18	Unidrive SP object CRC error	19	Sequencer timeout	74	Solutions module over temperature
	Error Code	Trip Description																																											
	0	No fault detected																																											
	1	Power supply overloaded																																											
	2	SLM version is too low																																											
	3	DriveLink error																																											
	4	Incorrect switching frequency selected																																											
	5	Feedback source selection incorrect																																											
	6	Encoder error																																											
	7	Motor object number of instances error																																											
	8	Motor object list version error																																											
	9	Performance object number of instances error																																											
	10	Parameter channel error																																											
	11	Drive operating mode incompatible																																											
	12	Error writing to the SLM EEPROM																																											
	13	Motor object type incorrect																																											
	14	Unidrive SP object error																																											
	15	Encoder object CRC error																																											
	16	Motor object CRC error																																											
	17	Performance object CRC error																																											
	18	Unidrive SP object CRC error																																											
19	Sequencer timeout																																												
74	Solutions module over temperature																																												
SLX.HF	Solutions Module slot X trip: Solutions Module X hardware fault																																												
200,205,210	Ensure Solutions Module is installed correctly Return Solutions Module to supplier																																												
SL3.HF	Building automation interface: Module hardware fault																																												
210,210	Ensure Solutions Module is installed correctly Return Solutions Module to supplier																																												
SLX.nF	Solutions Module slot X trip: Solutions Module has been removed																																												
203,208,213	Ensure Solutions Module is installed correctly Reinstall Solutions Module Save parameters and reset drive																																												
SL3.nF	Building automation interface: Module has been removed																																												
213,213	Ensure Solutions Module is installed correctly Reinstall Solutions Module Save parameters and reset drive																																												
SL.rtd	Solutions Module trip: Drive mode has changed and Solutions Module parameter routing is now incorrect																																												
215	Press reset. If the trip persists, contact the supplier of the drive.																																												
SLX.tO	Solutions Module slot X trip: Solutions Module watchdog timeout																																												
201,206,211	Press reset. If the trip persists, contact the supplier of the drive.																																												
SL3.tO	Building automation interface: Module watchdog timeout																																												
211,211	Press reset. If the trip persists, contact the supplier of the drive.																																												
t038	User trip defined in 2nd processor Solutions Module code																																												
38	SM-Applications program must be interrogated to find the cause of this trip																																												
t040 to t089	User trip defined in 2nd processor Solutions Module code																																												
40 to 89	SM-Applications program must be interrogated to find the cause of this trip																																												

Trip	Diagnosis
t099	User trip defined in 2nd processor Solutions Module code
99	SM-Applications program must be interrogated to find the cause of this trip
t101	User trip defined in 2nd processor Solutions Module code
101	SM-Applications program must be interrogated to find the cause of this trip
t112 to t160	User trip defined in 2nd processor Solutions Module code
112 to 160	SM-Applications program must be interrogated to find the cause of this trip
t168 to t174	User trip defined in 2nd processor Solutions Module code
168 to 174	SM-Applications program must be interrogated to find the cause of this trip
t216	User trip defined in 2nd processor Solutions Module code
216	SM-Applications program must be interrogated to find the cause of this trip
th	Motor thermistor trip
24	Check motor temperature Check thermistor continuity Set Pr 7.15 = VOLt and reset the drive to disable this function
thS	Motor thermistor short circuit
25	Check motor thermistor wiring Replace motor / motor thermistor Set Pr 7.15 = VOLt and reset the drive to disable this function
tunE*	Autotune stopped before completion
18	The drive has tripped out during the autotune The red stop key has been pressed during the autotune The SAFE TORQUE OFF (SECURE DISABLE) signal (terminal 31) was active during the autotune procedure
tunE1*	The position feedback did not change or required speed could not be reached during the inertia test (see Pr 5.12)
11	Ensure the motor is free to turn i.e. brake was released Check feedback device wiring is correct Check feedback parameters are set correctly Check encoder coupling to motor
tunE2*	Position feedback direction incorrect or motor could not be stopped during the inertia test (see Pr 5.12)
12	Check motor cable wiring is correct Check feedback device wiring is correct Swap any two motor phases (closed loop vector only)
tunE3*	Drive encoder commutation signals connected incorrectly or measured inertia out of range (see Pr 5.12)
13	Check motor cable wiring is correct Check feedback device U,V and W commutation signal wiring is correct
tunE4*	Drive encoder U commutation signal fail during an autotune
14	Check feedback device U phase commutation wires continuity Replace encoder
tunE5*	Drive encoder V commutation signal fail during an autotune
15	Check feedback device V phase commutation wires continuity Replace encoder
tunE6*	Drive encoder W commutation signal fail during an autotune
16	Check feedback device W phase commutation wires continuity Replace encoder
tunE7*	Motor number of poles set incorrectly
17	Check lines per revolution for feedback device Check the number of poles in Pr 5.11 is set correctly
Unid.P	Power module unidentified trip
110	Check all interconnecting cables between power modules Ensure cables are routed away from electrical noise sources
UP ACC	Onboard PLC program: cannot access Onboard PLC program file on drive
98	Disable drive - write access is not allowed when the drive is enabled Another source is already accessing Onboard PLC program - retry once other action is complete

Trip	Diagnosis												
UP div0	Onboard PLC program attempted divide by zero												
90	Check program												
UP OFL	Onboard PLC program variables and function block calls using more than the allowed RAM space (stack overflow)												
95	Check program												
UP ovr	Onboard PLC program attempted out of range parameter write												
94	Check program												
UP PAr	Onboard PLC program attempted access to a non-existent parameter												
91	Check program												
UP ro	Onboard PLC program attempted write to a read-only parameter												
92	Check program												
UP So	Onboard PLC program attempted read of a write-only parameter												
93	Check program												
UP udF	Onboard PLC program un-defined trip												
97	Check program												
UP uSEr	Onboard PLC program requested a trip												
96	Check program												
UV	DC bus under voltage threshold reached												
1	Check AC supply voltage level <table border="1"> <thead> <tr> <th>Drive voltage rating (Vac)</th> <th>Under voltage threshold (Vdc)</th> <th>UV reset voltage (Vdc)</th> </tr> </thead> <tbody> <tr> <td>200</td> <td>175</td> <td>215V</td> </tr> <tr> <td>400</td> <td>350</td> <td>425V</td> </tr> <tr> <td>575 & 690</td> <td>435</td> <td>590V</td> </tr> </tbody> </table>	Drive voltage rating (Vac)	Under voltage threshold (Vdc)	UV reset voltage (Vdc)	200	175	215V	400	350	425V	575 & 690	435	590V
Drive voltage rating (Vac)	Under voltage threshold (Vdc)	UV reset voltage (Vdc)											
200	175	215V											
400	350	425V											
575 & 690	435	590V											

*If a tunE through tunE 7 trip occurs, then after the drive is reset the drive cannot be made to run unless it is disabled via the SAFE TORQUE OFF (SECURE DISABLE) input (terminal 31), drive enable parameter (Pr 6.15) or the control word (Pr 6.42 and Pr 6.43).

Table 15-2 Serial communications look-up table

No.	Trip	No.	Trip	No.	Trip
1	UV	40 to 89	t040 to t089	182	C.Err
2	OV	90	UP div0	183	C.dAt
3	OI.AC	91	UP PAr	184	C.FULL
4	OI.br	92	UP ro	185	C.Acc
5	PS	93	UP So	186	C.rtg
6	Et	94	UP ovr	187	C.TyP
7	O.SPd	95	UP OFL	188	C.cPr
8	PS.10V	96	UP uSEr	189	EnC1
9	PS.24V	97	UP udF	190	EnC2
10	br.th	98	UP ACC	191	EnC3
11	tunE1	99	t099	192	EnC4
12	tunE2	100		193	EnC5
13	tunE3	101	t101	194	EnC6
14	tunE4	102	Oht4.P	195	EnC7
15	tunE5	103	OIbr.P	196	EnC8
16	tunE6	104	OIAC.P	197	EnC9
17	tunE7	105	Oht2.P	198	EnC10
18	tunE	106	OV.P	199	DESt
19	It.br	107	PH.P	200	SL1.HF
20	It.AC	108	PS.P	201	SL1.tO
21	O.ht1	109	OldC.P	202	SL1.Er
22	O.ht2	110	Unid.P	203	SL1.nF
23	O.CtL	111	ConF.P	204	SL1.dF
24	th	112 to 160	t112 to t160	205	SL2.HF
25	thS	161	Enc11	206	SL2.tO
26	O.Ld1	162	Enc12	207	SL2.Er
27	O.ht3	163	Enc13	208	SL2.nF
28	cL2	164	Enc14	209	SL2.dF
29	cL3	165	Enc15	210	SL3.HF
30	SGL	166	Enc16	211	SL3.tO
31	EEF	167	Enc17	212	SL3.Er
32	PH	168 to 174	t168 to t174	213	SL3.nF
33	rS	175	C.Prod	214	SL3.dF
34	PAd	176	EnP.Er	215	SL.rtd
35	CL.bit	177	C.boot	216	t216
36	SAVE.Er	178	C.bUSY	217 to 232	HF17 to HF32
37	PSAVE.Er	179	C.Chg		
38	t038	180	C.OPtn		
39	L.SYnC	181	C.RdO		

The trips can be grouped into the following categories. It should be noted that a trip can only occur when the drive is not tripped or is already tripped but with a trip with a lower priority number.

Table 15-3 Trip categories

Priority	Category	Trips	Comments
1	Hardware faults	HF01 to HF16	These indicate fatal problems and cannot be reset. The drive is inactive after one of these trips and the display shows HFxx . The Drive OK relay opens and the serial comms will not function.
2	Non-resetable trips	HF17 to HF32, SL1.HF, SL2.HF, SL3.HF	Cannot be reset. Requires the drive to be powered down.
3	EEF trip	EEF	Cannot be reset unless a code to load defaults is first entered in Pr xx.00 or Pr 11.43 .
4	SMARTCARD trips	C.boot, C.Busy, C.Chg, C.OPtn, C.RdO, C.Err, C.dat, C.FULL, C.Acc, C.rtg, C.TyP, C.cpr, C.Prod	Can be reset after 1.0s SMARTCARD trips have priority 5 during power-up
4	Encoder power supply trips	PS.24V, EnC1	Can be reset after 1.0s These trips can only override the following priority 5 trips: EnC2 to EnC8 or Enc11 to Enc17
5	Autotune	tunE, tunE1 to tunE7	Can be reset after 1.0s, but the drive cannot be made to run unless it is disabled via the SAFE TORQUE OFF (SECURE DISABLE) input (terminal 31), <i>Drive enable</i> (Pr 6.15) or the <i>Control word</i> (Pr 6.42 and Pr 6.43).
5	Normal trips with extended reset	OI.AC, OI.Br, OIAC.P, OIBr.P, OldC.P	Can be reset after 10.0s
5	Normal trips	All other trips not included in this table	Can be reset after 1.0s
5	Non-important trips	th, thS, Old1, cL2, cL3, SCL	If Pr 10.37 is 1 or 3 (i.e. bit 0 set to 1), the drive will stop before tripping
5	Phase loss	PH	The drive attempts to stop before tripping
5	Drive over-heat based on thermal model	O.ht3	The drive attempts to stop before tripping, but if it does not stop within 10s the drive will automatically trip
6	Self-resetting trips	UV	Under voltage trip cannot be reset by the user, but is automatically reset by the drive when the supply voltage is with specification

Although the UV trip operates in a similar way to all other trips, all drive functions can still operate but the drive cannot be enabled. The following differences apply to the UV trip:

1. Power-down save user parameters are saved when UV trip is activated except when the main high voltage supply is not active (i.e. operating in Low Voltage DC Supply Mode, Pr **6.44** = 1).
2. The UV trip is self-resetting when the DC bus voltage rises above the drive restart voltage level. If another trip is active instead of UV at this point, the trip is not reset.
3. The drive can change between using the main high voltage supply and low voltage DC supply only when the drive is in the under voltage condition (Pr **10.16** = 1). The UV trip can only be seen as active if another trip is not active in the under voltage condition.
4. When the drive is first powered up a UV trip is initiated if the supply voltage is below the restart voltage level and another trip is not active. This does not cause save power down save parameters to be saved at this point.

15.2 Alarm indications

In any mode an alarm flashes alternately with the data displayed on the 2nd row when one of the following conditions occur. If action is not taken to eliminate any alarm except "Autotune", "Lt" and "PLC" the drive may eventually trip. Alarms flash once every 640ms except "PLC" which flashes once every 10s. Alarms are not displayed when a parameter is being edited.

Table 15-4 Alarm indications

Lower display	Description
br.rS	Braking resistor overload
	Braking resistor I ² t accumulator (Pr 10.39) in the drive has reached 75.0% of the value at which the drive will trip and the braking IGBT is active.
Hot	Heatsink or control board or inverter IGBT over temperature alarms are active
	<ul style="list-style-type: none"> The drive heatsink temperature has reached a threshold and the drive will trip O.ht2 if the temperature continues to rise (see the O.ht2 trip). Or The ambient temperature around the control PCB is approaching the over temperature threshold (see the O.CtL trip).
OVLd	Motor overload
	The motor I ² t accumulator (Pr 4.19) in the drive has reached 75% of the value at which the drive will be tripped and the load on the drive is >100%
Auto tune	Autotune in progress
	The autotune procedure has been initialised. 'Auto' and 'tunE' will flash alternatively on the display.
Lt	Limit switch is active
	Indicates that a limit switch is active and that it is causing the motor to be stopped (i.e. forward limit switch with forward reference etc.)
PLC	Onboard PLC program is running
	An Onboard PLC program is installed and running. The lower display will flash 'PLC' once every 10s.

15.3 Status indications

Table 15-5 Status indications

Upper display	Description	Drive output stage
ACT	Regeneration mode active	Enabled
	The regen unit is enabled and synchronised to the supply.	
ACUU	AC Supply loss	Enabled
	The drive has detected that the AC supply has been lost and is attempting to maintain the DC bus voltage by decelerating the motor.	
dc	DC applied to the motor	Enabled
	The drive is applying DC injection braking.	
dEC	Decelerating	Enabled
	The drive is decelerating the motor.	
inh	Inhibit	Disabled
	The drive is inhibited and cannot be run. The drive enable signal is not applied to terminal 31 or Pr 6.15 is set to 0.	
POS	Positioning	Enabled
	The drive is positioning/orientating the motor shaft.	
rdY	Ready	Disabled
	The drive is ready to be run.	
run	Running	Enabled
	The drive is running.	
SCAn	Scanning	Enabled
	Regen> The drive is enabled and is synchronising to the line.	
StoP	Stop or holding zero speed	Enabled
	The drive is holding zero speed. Regen> The drive is enabled but the AC voltage is too low, or the DC bus voltage is still rising or falling.	
triP	Trip condition	Disabled
	The drive has tripped and is no longer controlling the motor. The trip code appears on the lower display.	

Table 15-6 Solutions Module and SMARTCARD status indications at power-up

Lower display	Description
boot	A parameter set is being transferred from the SMARTCARD to the drive during power-up. For further information, please refer to section 11.2.4 <i>Booting up from the SMARTCARD on every power up (Pr 11.42 = boot (4))</i> on page 151.
cArd	The drive is writing a parameter set to the SMARTCARD during power-up. For further information, please refer to section 11.2.3 <i>Auto saving parameter changes (Pr 11.42 = Auto (3))</i> on page 151.
loAding	The drive is writing information to a Solutions Module.

15.4 Displaying the trip history

The drive retains a log of the last 10 trips that have occurred in Pr 10.20 to Pr 10.29 and the corresponding multi-module drive module number (Pr 6.49 = 0) or the trip time (Pr 6.49 = 1) for each trip in Pr 10.41 to Pr 10.51. The time of the trip is recorded from the powered-up clock (if Pr 6.28 = 0) or from the run time clock (if Pr 6.28 = 1).

Pr 10.20 is the most recent trip, or the current trip if the drive is in a trip condition (with the module number or trip time stored in Pr 10.41 and Pr 10.42). Pr 10.29 is the oldest trip (with the module number or trip time stored in Pr 10.51). Each time a new trip occurs, all the parameters move down one, such that the current trip (and time) is stored in Pr 10.20 (and Pr 10.41 to Pr 10.42) and the oldest trip (and time) is lost out of the bottom of the log.

If any parameter between Pr 10.20 and Pr 10.29 inclusive is read by serial communications, then the trip number in Table 15-1 *Trip indications* on page 276 is the value transmitted.

15.5 Behaviour of the drive when tripped

If the drive trips, the output of the drive is disabled so that the drive stops controlling the motor. If any trip occurs (except the UV trip) the following read only parameters are frozen until the trip is cleared. This is to help in diagnosing the cause of the trip.

Parameter	Description
1.01	Frequency/speed reference
1.02	Pre-skip filter reference
1.03	Pre-ramp reference
2.01	Post-ramp reference
3.01	Frequency slaving demand/Final speed ref
3.02	Speed feedback
3.03	Speed error
3.04	Speed controller output
4.01	Current magnitude
4.02	Active current
4.17	Reactive current
5.01	Output frequency
5.02	Output voltage
5.03	Power
5.05	DC bus voltage
7.01	Analog input 1
7.02	Analog input 2
7.03	Analog input 3

Analog and digital I/O

The analog and digital I/O on the drive continue to work correctly if a trip occurs, except the digital outputs will go low if one of the following trips occur: O.Ld1, PS.24V.

Drive logic functions

The drive logic functions (i.e. PID, variable selectors, threshold detectors, etc.) continue to operate when the drive is tripped.

Onboard PLC program

The Onboard PLC program continues to run if the drive is tripped, except if one of Onboard PLC program trips occur.

Braking IGBT

The braking IGBT continues to operate even when the output of the drive is not enabled (except if the low voltage DC supply is being used), but is only disabled if any of the following trips occurs or would occur if another trip had not already become active: OI.Br, PS, It.Br or OV.

16 UL Listing Information

The Control Techniques UL file number is E171230. Confirmation of UL listing can be found on the UL website: www.ul.com.

16.1 Common UL information

Conformity

The drive conforms to UL listing requirements only when the following are observed:

- The drive is installed in a type 1 enclosure, or better, as defined by UL50
- The ambient temperature does not exceed 40°C (104°F) when the drive is operating
- The terminal tightening torques specified in section 5.13.2 *Terminal sizes and torque settings* on page 63.
- If the drive control stage is supplied by an external power supply (+24V), the external power supply must be a UL Class 2 power supply

Motor overload protection

The drive provides motor overload protection. The default overload protection level is no higher than 150% of full-load current (FLC) of the drive in open loop mode and no higher than 175% of full-load current (FLC) of the drive in closed loop vector or servo modes. It is necessary for the motor rated current to be entered into Pr **0.46** (or Pr **5.07**) for the protection to operate correctly. The protection level may be adjusted below 150% if required. Refer to section 10.3 *Current limits* on page 146 for more information. The drive also provides motor thermal protection. Refer to section 10.4 *Motor thermal protection* on page 146.

Overspeed Protection

The drive provides overspeed protection. However, it does not provide the level of protection afforded by an independent high integrity overspeed protection device.

16.2 Power dependant UL information

16.2.1 Unidrive SPMA

Conformity

The drive conforms to UL listing requirements only when the following is observed:

Fuses

Unidrive SPMA

- The UL-listed Ferraz HSJ (High speed J class) fuses are used in the AC supply. The drive does not comply with UL if any other fuses or MCBs are used in place of those stated.

For further details on fusing, refer to Table 6-15 *Unidrive SPMA input current, fuse and cable size ratings* on page 74.

Unidrive SPMU/C/D

- UL recognised semiconductor fuses type Ferraz type PSD size 32 660V (e.g. Ferraz designation 6,6 URD 32 0400 for a 400A 660Vac fuse) or SIBA UL recognised semiconductor fuses type URS SQB2 690Vac (e.g. Siba model number 20 627 31.400)
- SPMD inverter models are supplied by SPMU or SPMC rectifiers only. The model does not comply with UL if any other fuses or MCBs are used in place of those stated.

For further details refer to Table 6-17 *Unidrive SPMC/U 400V input current, fuse and cable size rating* on page 74.

With reference to the above the fuse current rating should be taken from the column headed "Semiconductor IEC class aR". This semiconductor fuse must be used in series with a HRC type fuse to provide full circuit protection. For UL applications the applicable HRC type fuse to use is UL listed class J, with the current rating obtained from the column headed "HRC IEC class gG UL class J".

Field wiring

Unidrive SPM

- Class 1 75°C (167°F) copper wire only is used in the installation

Field wiring connectors

Unidrive SPM

- UL listed wire connectors are used for terminating power circuit field wiring, e.g. IlSCO TA series

16.3 AC supply specification

The Unidrive SPM is suitable for use in a circuit capable of delivering not more than 100,000rms symmetrical Amperes at 528Vac rms maximum (400V drives) or 600Vac rms maximum (575V and 690V drives).

16.4 Maximum continuous output current

The drive models are listed as having the maximum continuous output currents (FLC) shown in Table 16-1 (see *Chapter 14 Technical Data* for details).

Table 16-1 Maximum continuous output current

Model	FLC (A)	Model	FLC (A)
SPMA14X1	205	SPMA16X1	125
SPMA14X2	236	SPMA16X2	144
SPMD12X1	192	SPMD14X1	205
SPMD12X2	248	SPMD14X2	246
SPMD12X3	312	SPMD14X3	290
SPMD12X4*	350	SPMD14X4*	350
SPMD12X4**	335	SPMD14X4**	335
SPMD16X1	125	SPMC/U 1402***	379
SPMD16X2	144	SPMC/U 2402***	2 x 345
SPMD16X3	168	SPMC/U 1601***	209
SPMD16X4	192	SPMC/U 2601***	2 x 185

* SPMD 1XX4 rating with rectifier undocked

** SPMD 1XX4 rating with rectifier docked

*** SPMC/U typical DC output current

16.5 Safety label

The safety label supplied with the connectors and mounting brackets must be placed on a fixed part inside the drive enclosure where it can be seen clearly by maintenance personnel for UL compliance.

The label clearly states "CAUTION Risk of Electric Shock Power down unit 10 minutes before removing cover".

16.6 UL listed accessories

- | | |
|-----------------------------|------------------------|
| • SM-Universal Encoder Plus | • SM-PROFIBUS-DP |
| • SM-Resolver | • SM-DeviceNet |
| • SM-Encoder Plus | • SM-INTERBUS |
| • 15-way D-type converter | • SM-CAN |
| • SM-I/O Plus | • SM-CANopen |
| • SM-Applications | • SM-Keypad |
| • SM-Applications Lite | • SM-Keypad Plus |
| • SM-SLM | • SM-I/O Lite |
| • SM-I/O Timer | • SM-I/O PELV |
| • SM-I/O 120V | • SM-I/O 24V Protected |
| • SM-Applications Plus | • SM-SERCOS |
| • SM-Ethernet | |

List of figures

Figure 2-1	Single half controlled SCR/thyristor	8	Figure 5-20	Through-panel mounting the Unidrive SPMC/U (rectifier)	45
Figure 2-2	Dual half controlled SCR/thyristor	8	Figure 5-21	Through-panel mounting the Unidrive SPMD with SPMC/U (rectifier) and docking kit	46
Figure 2-3	Single diode rectifier	8	Figure 5-22	Unidrive SPM mounting bracket	47
Figure 2-4	Dual diode rectifier	9	Figure 5-23	Orientation of the Unidrive SPM mounting bracket	47
Figure 2-5	SPMA inverter schematic	9	Figure 5-24	Location of top Unidrive SPMA surface mounting brackets	47
Figure 2-6	SPMA inverter schematic	10	Figure 5-25	Installation of the Unidrive SPMC/U surface mounting brackets	47
Figure 2-7	Single input line reactor (INLX0X)/force cooled (INLX0XW)	10	Figure 5-26	Installation of the Unidrive SPMC/U through panel mounting brackets	48
Figure 2-8	Dual input line reactor (INLX1X)	10	Figure 5-27	Enclosure layout	49
Figure 2-9	Single output sharing choke (OTLX0X)	10	Figure 5-28	Alternative enclosure layout: Undocked Unidrive SPMD and SPMC	50
Figure 2-10	Dual output sharing choke (OTLX1X)	10	Figure 5-29	Altitude derate factor	51
Figure 2-11	Rectifier (SPMC and SPMU)	11	Figure 5-30	Ambient temperature correction factor	51
Figure 2-12	Drives (SPMA and SPMD)	11	Figure 5-31	Enclosure design example	52
Figure 2-13	Input line reactor / output sharing choke	11	Figure 5-32	Recommended enclosure design	52
Figure 3-1	Features of the Unidrive SPM Modules	18	Figure 5-33	Recirculation factor	53
Figure 3-2	Typical drive rating labels	19	Figure 5-34	Pressure drop	54
Figure 3-3	Control options available with Unidrive SPM	20	Figure 5-35	AC supply 400mm diameter blower performance	54
Figure 3-4	Power options available for Unidrive SPM	21	Figure 5-36	Removal of Unidrive SPMA/D fan (part 1)	55
Figure 4-1	Layout for a Unidrive SPMA module operating on a 3-phase AC supply	25	Figure 5-37	Removal of Unidrive SPMA/D fan (part 2)	55
Figure 4-2	Layout for two or more Unidrive SPMA modules operating on a 3-phase AC supply	26	Figure 5-38	Removal of Unidrive SPMC/U fan	55
Figure 4-3	Layout for an Unidrive SPMD module operating on a 3-phase supply	27	Figure 5-39	Example of IP54 (NEMA 12) through-panel layout	56
Figure 4-4	Layout for an Unidrive SPMD module operating on a 3 phase supply with SPMU (uncontrolled) rectifier and softstart circuit	28	Figure 5-40	Option 2 for achieving IP54 (NEMA 12) through-panel mounting	57
Figure 4-5	Layout for two or more Unidrive SPMD modules operating on a 3-phase AC supply	29	Figure 5-41	Option 3 for achieving IP54 (NEMA 12) through panel mounting	58
Figure 4-6	Layout for two Unidrive SPMD modules with a dual SPMC rectifier operating on a 3-phase AC supply	30	Figure 5-42	Mounting the external EMC filter	58
Figure 4-7	Layout for two Unidrive SPMD slave modules with a dual SPMC rectifier operating on a 3-phase AC supply with a remote mounted control master pod	31	Figure 5-43	External EMC filter	59
Figure 4-8	Parallel control connections	32	Figure 5-44	Multiple drive EMC filters	60
Figure 5-1	Location and identification of terminal covers	34	Figure 5-45	Single input line reactor (INLX0X)	61
Figure 5-2	Removing the terminal covers (Uni SPMA illustrated)	35	Figure 5-46	Dual input line reactor (INLX1X)	61
Figure 5-3	Removing the Unidrive SPMC/U dual rectifier terminal covers and housing	35	Figure 5-47	Single line input reactor force cooled (INLX0XW)	61
Figure 5-4	Removing the finger-guard break-outs	36	Figure 5-48	Single output sharing choke (OTLX0X)	61
Figure 5-5	Unidrive SPM finger-guard grommets	36	Figure 5-49	Dual output sharing choke (OTLX1X)	61
Figure 5-6	Installation and removal of a Solutions Module	37	Figure 5-50	Locations of the power and ground terminals on Unidrive SPM	62
Figure 5-7	Installation and removal of a keypad	37	Figure 6-1	Unidrive SPMA power connections	65
Figure 5-8	Mounting the control master pod on the drive	38	Figure 6-2	Unidrive SPMD & SPMC/U (rectifier) power connections	65
Figure 5-9	Mounting the control slave pod on the drive	38	Figure 6-3	Unidrive SPMA ground connections	66
Figure 5-10	Control master/slave pod and power module base plate connectors	38	Figure 6-4	Unidrive SPMD ground connections	66
Figure 5-11	Control master pod dimensions	39	Figure 6-5	Unidrive SPMC/U ground connections	66
Figure 5-12	Docking kit	39	Figure 6-6	Unidrive SPMD and SPMC/U (rectifier) ground connections	67
Figure 5-13	Location of the docking kit when installed	40	Figure 6-7	Input line reactor/output sharing choke dimensions	67
Figure 5-14	Surface mounting the Unidrive SPMA	41	Figure 6-8	Softstart circuit configuration	70
Figure 5-15	Surface mounting the Unidrive SPMD	42	Figure 6-9	Switching sequence for K1 and K2	70
Figure 5-16	Surface mounting the Unidrive SPMC/U (rectifier)	42	Figure 6-10	Example of resistor overload characteristic	72
Figure 5-17	Surface mounting the Unidrive SPMD with SPMC/U (rectifier) and docking kit	43	Figure 6-11	Example of tripping characteristic	72
Figure 5-18	Through-panel mounting the Unidrive SPMA	44	Figure 6-12	Location of the heatsink fan supply connections (SPMA & SPMD)	73
Figure 5-19	Through-panel mounting the Unidrive SPMD	45	Figure 6-13	Heatsink fan supply connections (SPMA & SPMD)	73

Figure 6-14	Cable construction influencing the capacitance	76	Figure 10-1	Motor thermal protection (Heavy Duty)	146
Figure 6-15	Preferred chain connection for multiple motors	76	Figure 10-2	Motor thermal protection (Normal Duty)	146
Figure 6-16	Alternative connection for multiple motors	77	Figure 10-3	Torque and rated voltage against speed	147
Figure 6-17	Typical protection circuit for a braking resistor	78	Figure 11-1	Installation of the SMARTCARD	149
Figure 6-18	Installation of grounding bracket (master/ slave)	79	Figure 11-2	Basic SMARTCARD operation	149
Figure 6-19	Removal of internal EMC filter	80	Figure 12-1	Onboard PLC program scheduling	155
Figure 6-20	General EMC enclosure layout showing ground connections	81	Figure 12-2	Programming options for Unidrive SP	156
Figure 6-21	Drive cable clearances	82	Figure 13-1	Menu 1 logic diagram	166
Figure 6-22	Feedback cable, twisted pair	83	Figure 13-2	Menu 2 logic diagram	170
Figure 6-23	Feedback cable connections	83	Figure 13-3	Menu 3 Open-loop logic diagram	173
Figure 6-24	Supply and ground cable clearance	84	Figure 13-4	Menu 3 Closed loop logic diagram	174
Figure 6-25	Sensitive signal circuit clearance	84	Figure 13-5	Menu 4 Open loop logic diagram	178
Figure 6-26	Grounding the drive, motor cable shield and filter	85	Figure 13-6	Menu 4 Closed-loop vector logic diagram	179
Figure 6-27	Grounding the motor cable shield	85	Figure 13-7	Menu 4 Servo logic diagram	180
Figure 6-28	Shielding requirements of optional external braking resistor	85	Figure 13-8	Menu 5 Open-loop logic diagram	182
Figure 6-29	Grounding of signal cable shields using the grounding bracket	86	Figure 13-9	Menu 5 Closed-loop logic diagram	184
Figure 6-30	Grounding of SPMC/U signal cables	86	Figure 13-10	Menu 6 logic diagram	187
Figure 6-31	Connecting the motor cable to a terminal block in the enclosure	86	Figure 13-11	Menu 7 logic diagram	189
Figure 6-32	Connecting the motor cable to an isolator/ disconnect switch	86	Figure 13-12	Menu 8 logic diagram	192
Figure 6-33	Surge suppression for digital and unipolar inputs and outputs	87	Figure 13-13	Menu 9 logic diagram: Programmable logic	195
Figure 6-34	Surge suppression for analog and bipolar inputs and outputs	87	Figure 13-14	Menu 9 logic diagram: Motorized pot and binary sum	196
Figure 6-35	Location of SPMC (rectifier) control terminals	87	Figure 13-15	Menu 12 logic diagram	200
Figure 6-36	Single module control terminals and descriptions	88	Figure 13-16	Menu 12 logic diagram (continued)	201
Figure 6-37	Parallel rectifier control terminals and descriptions	89	Figure 13-17	Open-loop brake function	202
Figure 6-38	Status LED location	90	Figure 13-18	Open-loop brake sequence	202
Figure 6-39	Location of the SPMA/D low voltage DC mode enable connections	90	Figure 13-19	Closed-loop brake function	203
Figure 6-40	SPMA low voltage DC mode enable connections	90	Figure 13-20	Closed-loop brake sequence	203
Figure 6-41	SPMD low voltage DC mode enable connections	91	Figure 13-21	Menu 13 Open-loop logic diagram	206
Figure 6-42	Location of the RJ45 serial comms connector	92	Figure 13-22	Menu 13 Closed-loop logic diagram	208
Figure 6-43	Default terminal functions	93	Figure 13-23	Menu 14 Logic diagram	212
Figure 6-44	Location of encoder connector	96	Figure 13-24	Location of Solutions Module slots and their corresponding menu numbers	215
Figure 6-45	Start / stop control EN954-1 category B - replacement of contactor	100	Figure 13-25	SM-Universal Encoder Plus logic diagram	216
Figure 6-46	Category 3 interlock using electromechanical safety contactors	100	Figure 13-26	SM-Resolver logic diagram	220
Figure 6-47	Category 3 interlock using SAFE TORQUE OFF (SECURE DISABLE) with protected wiring	100	Figure 13-27	SM-Encoder Plus logic diagram	222
Figure 6-48	Use of contactor and relay to avoid the need for protected wiring	100	Figure 13-28	SM-Encoder Output Plus logic diagram	224
Figure 7-1	SM-Keypad	101	Figure 13-29	SM-I/O Plus analog logic diagram	227
Figure 7-2	SM-Keypad Plus	101	Figure 13-30	SM-I/O Plus digital logic diagram 1	228
Figure 7-3	Display modes	102	Figure 13-31	SM-I/O Plus digital logic diagram 2	229
Figure 7-4	Mode examples	102	Figure 13-32	SM-I/O Lite & SM-I/O Timer digital I/O logic diagram	231
Figure 7-5	Parameter navigation	103	Figure 13-33	SM-I/O Lite & SM-I/O Timer analog I/O logic diagram	232
Figure 7-6	Menu structure	103	Figure 13-34	SM-I/O Timer real time clock logic diagram	232
Figure 7-7	Menu 0 copying	103	Figure 13-35	SM-I/O PELV digital I/O logic diagram	234
Figure 8-1	Menu 0 logic diagram	112	Figure 13-36	SM-I/O PELV digital input logic diagram	235
Figure 8-2	Fixed and variable V/f characteristics	116	Figure 13-37	SM-I/O PELV relay logic diagram	235
Figure 9-1	Minimum connections to get the motor running in any operating mode	126	Figure 13-38	SM-I/O PELV analog input logic diagram	235
			Figure 13-39	SM-I/O PELV analog output logic diagram	236
			Figure 13-40	SM-I/O 24V Protected digital I/O logic diagram	238
			Figure 13-41	SM-I/O 24V Protected digital I/O logic diagram	239
			Figure 13-42	SM-I/O 24V Protected relay logic diagram	239
			Figure 13-43	SM-I/O 24V Protected analog output logic diagram	240
			Figure 13-44	SM-I/O 120V digital input logic diagram	241
			Figure 13-45	SM-I/O 120V relay diagram	242
			Figure 13-46	SM-SLM logic diagram	248
			Figure 13-47	Digital input connections when Pr 6.04 is set to 0 to 3	260
			Figure 15-1	Keypad status modes	275
			Figure 15-2	Location of the status LED	275

List of tables

Table 3-1	SPMA 400V drive ratings (380V to 480V ±10%)	13	Table 6-11	Available resistors	72
Table 3-2	Paralleled SPMA 400V motor drive ratings (380V to 480V ±10%)	13	Table 6-12	Allowable Softstart resistor range	72
Table 3-3	SPMA 690V drive ratings (500V to 690V ±10%)	13	Table 6-13	MCBs available from Control Techniques	72
Table 3-4	Paralleled SPMA 690V motor drive ratings (500V to 690V ±10%)	14	Table 6-14	Supply fault current used to calculate maximum input currents	74
Table 3-5	SPMD 200V drive ratings (200V to 240V ±10%) based on AC supply voltage	14	Table 6-15	Unidrive SPMA input current, fuse and cable size ratings	74
Table 3-6	Paralleled SPMD 200V motor drive ratings (200V to 240V ±10%) based on AC supply voltage	14	Table 6-16	Unidrive SPMD input current, fuse and cable size ratings	74
Table 3-7	SPMD 400V motor drive ratings (380V to 480V ±10%) based on AC supply voltage	15	Table 6-17	Unidrive SPMC/U 400V input current, fuse and cable size rating	74
Table 3-8	Paralleled SPMD 400V motor drive ratings (380V to 480V ±10%) based on AC supply voltage	15	Table 6-18	Unidrive SPMC/U 690V input current, fuse and cable size ratings	75
Table 3-9	SPMD 690V motor drive ratings (500V to 690V ±10%)	15	Table 6-19	Maximum motor cable lengths (Unidrive SPMA)	76
Table 3-10	Paralleled SPMD 690V motor drive ratings (500V to 690V ±10%) based on AC supply voltage	16	Table 6-20	Maximum motor cable lengths (Unidrive SPMD)	76
Table 3-11	Unidrive SPMC/U 400V ratings	16	Table 6-21	Braking transistor turn on voltage	77
Table 3-12	Unidrive SPMC/U 690V ratings	16	Table 6-22	Minimum resistance values and peak power rating for the braking resistor at 40°C (104°F)	78
Table 3-13	Typical overload limits for all Unidrive SPM modules	16	Table 6-23	Second environment emission compliance	83
Table 3-14	Encoders compatible with Unidrive SPM	17	Table 6-24	Key to SPMC (rectifier) LEDs	90
Table 3-15	Solutions Module identification	21	Table 6-25	Key to SPMU (rectifier) LEDs	90
Table 3-16	Keypad identification	23	Table 6-26	Connection details for RJ45 connector	92
Table 3-17	Other options	23	Table 6-27	Isolated serial comms lead details	92
Table 3-18	Accessories supplied with Unidrive SPM	24	Table 6-28	The Unidrive SPM control connections consist of:	92
Table 5-1	Mounting brackets	47	Table 6-29	Encoder types	96
Table 5-2	Example data	53	Table 6-30	Drive encoder connector details	97
Table 5-3	Unidrive SPM air flow rates	53	Table 6-31	Feedback resolution based on frequency and voltage level	98
Table 5-4	Type of fan	54	Table 7-1	Advanced menu descriptions	104
Table 5-5	Unidrive SPM fan assembly part numbers	55	Table 7-2	Menu 40 parameter descriptions	104
Table 5-6	Description of fixings	57	Table 7-3	Menu 41 parameter descriptions	104
Table 5-7	Quantity of nylon washers included in the kit boxes	57	Table 7-4	Alarm indications	105
Table 5-8	Environment considerations	58	Table 7-5	Solutions Module and SMARTCARD status indications on power-up	105
Table 5-9	Power losses from the front of the drive when through-panel mounted	58	Table 9-1	Minimum control connection requirements for each control mode	124
Table 5-10	Single drive EMC filter details	58	Table 9-2	Minimum control connection requirements for each mode of operation	124
Table 5-11	Optional external EMC filter details	59	Table 9-3	Parameters required for feedback device set-up	132
Table 5-12	EMC filters for multiple drive combinations	60	Table 9-4	Restrictions of drive encoder lines per revolution with software version V01.06.01 and later	135
Table 5-13	Optional external EMC filter details	60	Table 9-5	Restrictions of drive encoder lines per revolution with software version V01.06.00 and earlier	135
Table 5-14	Master/slave control and relay terminal data	63	Table 10-1	Available switching frequencies	147
Table 5-15	Drive power terminal data	63	Table 10-2	Sample rates for various control tasks at each switching frequency	147
Table 5-16	Optional external EMC Filter terminal data	63	Table 11-1	SMARTCARD data blocks	150
Table 6-1	Behaviour of the drive in the event of a ground (earth) fault with an IT supply	67	Table 11-2	SMARTCARD codes	150
Table 6-2	400V input line reactor ratings	68	Table 11-3	Key to parameter table coding	152
Table 6-3	400V dual input line reactor ratings	68	Table 11-4	Trip conditions	153
Table 6-4	690V input line reactor ratings	68	Table 11-5	SMARTCARD status indications	154
Table 6-5	690V dual input line reactor ratings	68	Table 13-1	Menu descriptions	158
Table 6-6	400V output sharing choke ratings	69	Table 13-2	Key to parameter table coding	158
Table 6-7	600V output sharing choke ratings	69	Table 13-3	Feature look-up table	159
Table 6-8	400V dual output sharing choke ratings	69			
Table 6-9	600V dual output sharing choke ratings	69			
Table 6-10	DC bus capacitance and peak supply current values	71			

Table 13-4	Definition of parameter ranges & variable maximums	162	Table 14-37	Immunity compliance	272
Table 13-5	Maximum motor rated current	164	Table 14-38	SPMA (400V only) emission compliance	273
Table 13-7	Active reference	254	Table 14-39	SPMA (690V only) emission compliance	273
Table 14-1	Maximum permissible continuous output current @ 40°C (104°F) ambient (SPMD drives in docked condition)	263	Table 14-40	SPMD (400V only) emission compliance	273
Table 14-2	Maximum permissible continuous output current @ 40°C (104°F) ambient (SPMD drives in undocked condition)	263	Table 14-41	SPMD (690V only) emission compliance	273
Table 14-3	Maximum permissible continuous output current @ 50°C (122°F) ambient (SPMD drives in docked condition)	264	Table 14-42	Unidrive SPM and EMC filter cross reference	273
Table 14-4	Maximum permissible continuous output current @ 50°C (122°F) ambient (SPMD drives in undocked condition)	264	Table 14-43	EMC filters for multiple drive combinations	273
Table 14-5	Unidrive SPMC/U maximum permissible ratings	264	Table 14-44	Optional external EMC filter details	274
Table 14-6	Losses @ 40°C (104°F) ambient (SPMD drives in docked condition)	265	Table 14-45	Optional external EMC filter dimensions	274
Table 14-7	Losses @ 40°C (104°F) ambient (SPMD drives in undocked condition)	265	Table 14-46	Optional external EMC Filter terminal data	274
Table 14-8	Losses @ 50°C (122°F) ambient (SPMD drives in docked condition)	266	Table 15-1	Trip indications	276
Table 14-9	Losses @ 50°C (122°F) ambient (SPMD drives in undocked condition)	266	Table 15-2	Serial communications look-up table	290
Table 14-10	Unidrive SPMC/U losses @ 40/50°C (104/122°F) ambient	266	Table 15-3	Trip categories	291
Table 14-11	Power losses from the front of the drive when through-panel mounted	266	Table 15-4	Alarm indications	292
Table 14-12	Input line reactor losses @ 40/50°C (104/122°F) ambient	267	Table 15-5	Status indications	292
Table 14-13	Output sharing choke losses @ 40/50°C (104/122°F) ambient	267	Table 15-6	Solutions Module and SMARTCARD status indications at power-up	292
Table 14-14	IP Rating degrees of protection	268	Table 16-1	Maximum continuous output current	294
Table 14-15	NEMA enclosure ratings	268			
Table 14-16	Acoustic noise	268			
Table 14-17	Overall drive dimensions	269			
Table 14-18	Overall drive weights	269			
Table 14-19	Supply fault current used to calculate maximum input currents	269			
Table 14-20	Unidrive SPMA input current, fuse and cable size ratings	269			
Table 14-21	Unidrive SPMD input current, fuse and cable size ratings	269			
Table 14-22	Unidrive SPMC/U 400V input current, fuse and cable size rating	270			
Table 14-23	Unidrive SPMC/U 690V input current, fuse and cable size ratings	270			
Table 14-24	400V input line reactor ratings	270			
Table 14-25	400V dual input line reactor ratings	270			
Table 14-26	690V input line reactor ratings	270			
Table 14-27	690V dual input line reactor ratings	270			
Table 14-28	400V output sharing choke ratings	271			
Table 14-29	600V output sharing choke ratings	271			
Table 14-30	400V dual output sharing choke ratings	271			
Table 14-31	600V dual output sharing choke ratings	271			
Table 14-32	Maximum motor cable lengths (Unidrive SPMA)	271			
Table 14-33	Maximum motor cable lengths (Unidrive SPMD)	271			
Table 14-34	Minimum resistance values and peak power rating for the braking resistor at 40°C (104°F)	272			
Table 14-35	Master drive control and relay terminal data ..	272			
Table 14-36	Drive power terminal data	272			

Index

Symbols

+10V user output	94
+24V external input	94
+24V user output	95

Numerics

0V common	94
-----------------	----

A

AC supply contactor	75
AC supply requirements	67
Acceleration 109, 114, 128, 129, 130, 131, 139, 142, 172	
Access	33
Access Level	106
Accuracy	268
Advanced menus	104
Advanced parameters	158
Alarm	292
Alarm Indications	292
Altitude	267
Analog input 2	94
Analog input 3	94
Analog output 1	95
Analog output 2	95
Autotune 136, 139, 142, 144	

B

Basic requirements	124
Braking	77
Braking Modes	255
Braking resistor values	272

C

Cable clearances	82
Cable lengths (maximum)	271
Cable size ratings	269
Cable types and lengths	75
Catch a spinning motor	260
Cautions	7
CD ROM file contents	24
Closed loop vector mode	17
Control connections	92
Control terminal specification	94
Cooling	33
Cooling method	267
CTSoft	132
Current limit	114
Current limits	146
Current loop gains 139, 142, 144	
Current ratings	263

D

DC bus paralleling	70
DC bus voltage 77, 162, 255, 258, 259	
Deceleration 77, 109, 114, 117, 128, 129, 130, 131, 139, 142, 172, 252, 255, 258	
Defaults (restoring parameter)	105
Derating	263
Destination parameter	92
Diagnostics	275
Digital I/O 1	95
Digital I/O 2	95
Digital I/O 3	95
Digital Input 1	95
Digital Input 2	95
Digital Input 3	95
Dimensions (overall)	269
Display	101
Display messages	105
Drive enable	96
Drive features	17

E

Electrical Installation	64
Electrical safety	33
Electrical terminals	62
Electromagnetic compatibility (EMC) 33, 79, 272	
EMC - Compliance with generic emission standards	84
EMC - General requirements	81
EMC - Variations in the wiring	85
EMC filter dimensions (external, overall)	274
EMC filter torque settings (external)	274
EMC filters (optional external)	273
Emission	272
EN61800-3 (standard for Power Drive Systems)	83
Enclosure	49
Enclosure Layout	49
Enclosure sizing	51
Encoder connections 82, 96	
Encoder feedback limits	147
Encoder types	96
Environmental protection	33
External EMC filter	58

F

Fast Disable	262
Feedback device cable shielding	82
Field weakening (constant power) operation	147
Fieldbus module category parameters	245
Fire protection	33
Fixed V/F mode	17
Fuse ratings	269
Fuse types	75

G

Getting Started	101
Ground connections 75, 81	
Ground leakage	79
Ground terminals	62
Grounding bracket	79

H

Hazardous areas	33
High speed operation	147
Humidity	267

I

I/O module category parameters	227
Input current ratings	269
Internal EMC filter	80
IP Rating (Ingress protection)	55, 267
Isolator/disconnect switch	86
Items supplied with the drive	24

K

Keypad and display - installing / removal	37
Keypad operation	101

L

Line power supply loss modes	258
Line reactors	68, 267

M

Maximum speed / frequency	148
Mechanical Installation	33
Menu 0	103
Menu 01 - Frequency / speed reference	166
Menu 02 - Ramps	170
Menu 03 - Slave frequency, speed feedback and speed control	173
Menu 04 - Torque and current control	178
Menu 05 - Motor control	182
Menu 06 - Sequencer and clock	187
Menu 07 - Analog I/O	189
Menu 08 - Digital I/O	192
Menu 09 - Programmable logic, motorized pot and binary sum	195
Menu 10 - Status and trips	198
Menu 11 - General drive set-up	199
Menu 12 - Threshold detectors and variable selectors	200
Menu 13 - Position control	206
Menu 14 - User PID controller	212
Menu 15, 16 and 17 - Solutions Module set-up	215
Menu 18 - Application menu 1	251
Menu 19 - Application menu 2	251
Menu 20 - Application menu 3	251
Menu 21 - Second motor parameters	252
Menu 22 - Additional Menu 0 set-up	253
Menu structure	102
Minimum connections to get the motor running in any operating mode	126
Mode parameter	92
Model number	11
Monitoring	116
Motor (running the motor)	124
Motor cable - interruptions	86
Motor isolator/disconnect switch	86
Motor map parameters	136
Motor number of poles	136, 138, 141, 144
Motor parameters	121
Motor rated current	136, 138, 141, 144
Motor rated current (maximum)	146
Motor rated frequency	136, 138, 141
Motor rated power factor	136, 138, 141
Motor rated speed	136, 138, 141
Motor rated speed autotune	142
Motor rated voltage	136, 138, 141
Motor requirements	267
Motor thermal protection	146
Motor winding voltage	76
Mounting methods	41
Multiple motors	76

N

Nameplate description	19
NEMA rating	56, 267, 268
Notes	7

O		S	
Onboard PLC	155	SAFE TORQUE OFF	99
Open loop mode	17	Safety Information	7, 33
Open loop vector mode	17	Saving parameters	105
Operating mode (changing)	105, 124	SECURE DISABLE	99
Operating modes	17	Serial comms lead	92
Operating-mode selection	123	Serial communications connections	92
Optimisation	136	Serial communications look-up table	290
Options	20	Serial communications port isolation	92
Output contactor	77	Servo	17
Output frequency	268	Single line descriptions	109
P		Slip compensation	137
Parameter access level	106	SMARTCARD operation	149, 155
Parameter ranges	162	SMARTCARD trips	153
Parameter security	106	Solutions Module	215
Parameter x.00	114	Solutions Module - installing / removal	37
Planning the installation	33	Speed feedback	124
Position feedback	124	Speed limits	114
Position feedback module category parameters	216	Speed loop gains	140, 143, 145
Power dissipation	265	Speed range	268
Power ratings	78, 263	Speed reference selection	114
Power terminals	62	Speed-loop PID gains	115
Precision reference Analog input 1	94	Start up time	268
Product information	12	Starts per hour	268
Q		Status	292
Quadratic V/F mode	17	Status Indications	292
Quick start commissioning	128, 132	Status information	123
Quick start connections	124	Stop modes	257
R		Storage	267
Ramps	114	Supply requirements	267
Ratings	12, 74	Supply types	67
Reactor current ratings	68, 267	Surge immunity of control circuits - long cables and connections outside a building	86
Reference modes	254	Surge suppression for analog and bipolar inputs and outputs	87
Relay contacts	96	Surge suppression for digital and unipolar inputs and outputs	87
Residual current device (RCD)	79	Switching frequency	147
Resistances (minimum)	78	SYPTLite	155
Resolution	268	T	
RJ45 connector - connection details	92	Technical data	263
Routine maintenance	63	Temperature	267
		Terminal block in the enclosure	86
		Terminal cover removal	33
		Terminal sizes	63
		Thermal protection circuit for the braking resistor	78
		Torque modes	256
		Torque settings	63, 272
		Trip	275
		Trip categories	291
		Trip History	293
		Trip Indications	275
		U	
		UL Listing Information	294
		User Security	106
		V	
		Variable maximums	162
		Ventilation	54
		Vibration	268
		Voltage boost	115
		Voltage mode	137

W

Warnings	7
Weights	269



0471-0053-03